



US00D891580S

(12) **United States Design Patent**
Carrozza

(10) **Patent No.:** **US D891,580 S**
(45) **Date of Patent:** **** Jul. 28, 2020**

(54) **FLUID DISTRIBUTION EQUIPMENT**

8,684,283 B2 * 4/2014 Nies B05B 3/0431
239/11

(71) Applicant: **BIRCHMEIER SPRÜHTECHNIK**
AG, Stetten (CH)

D790,661 S * 6/2017 Burgdorf D23/213
D805,603 S * 12/2017 Hauth D23/233
D841,121 S * 2/2019 Kiefer D23/213

(72) Inventor: **Claudio Carrozza, Stetten (CH)**

* cited by examiner

(**) Term: **15 Years**

Primary Examiner — Khawaja Anwar

(21) Appl. No.: **35/505,995**

(22) Filed: **Jun. 25, 2018**

(57) **CLAIM**

(80) **Hague Agreement Data**

Int. Filing Date: **Jun. 25, 2018**

Int. Reg. No.: **DM/103360**

Int. Reg. Date: **Jun. 25, 2018**

Int. Reg. Pub. Date: **Nov. 9, 2018**

I claim the ornamental design for a fluid distribution equip-
ment, as shown and described.

(51) **LOC (12) Cl.** **23-02**

DESCRIPTION

(52) **U.S. Cl.**

USPC **D23/213**

(58) **Field of Classification Search**

USPC D23/213, 229, 233, 235, 247, 248, 249

CPC B05B 7/0425; E03C 1/08; E03C 1/084;

E03C 1/086; E03C 2001/026

See application file for complete search history.

1. Fluid distribution equipment

FIG. 1.1 is a top, front, left side perspective view of a fluid
distribution equipment showing my new design;

FIG. 1.2 is a top view thereof;

FIG. 1.3 is a top, rear, left side perspective view thereof;

FIG. 1.4 is a left side view thereof; and

FIG. 1.5 is a rear view thereof.

Portions of the fluid distribution equipment shown in broken
line are for the purpose of illustrating environmental struc-
ture and form no part of the claimed design.

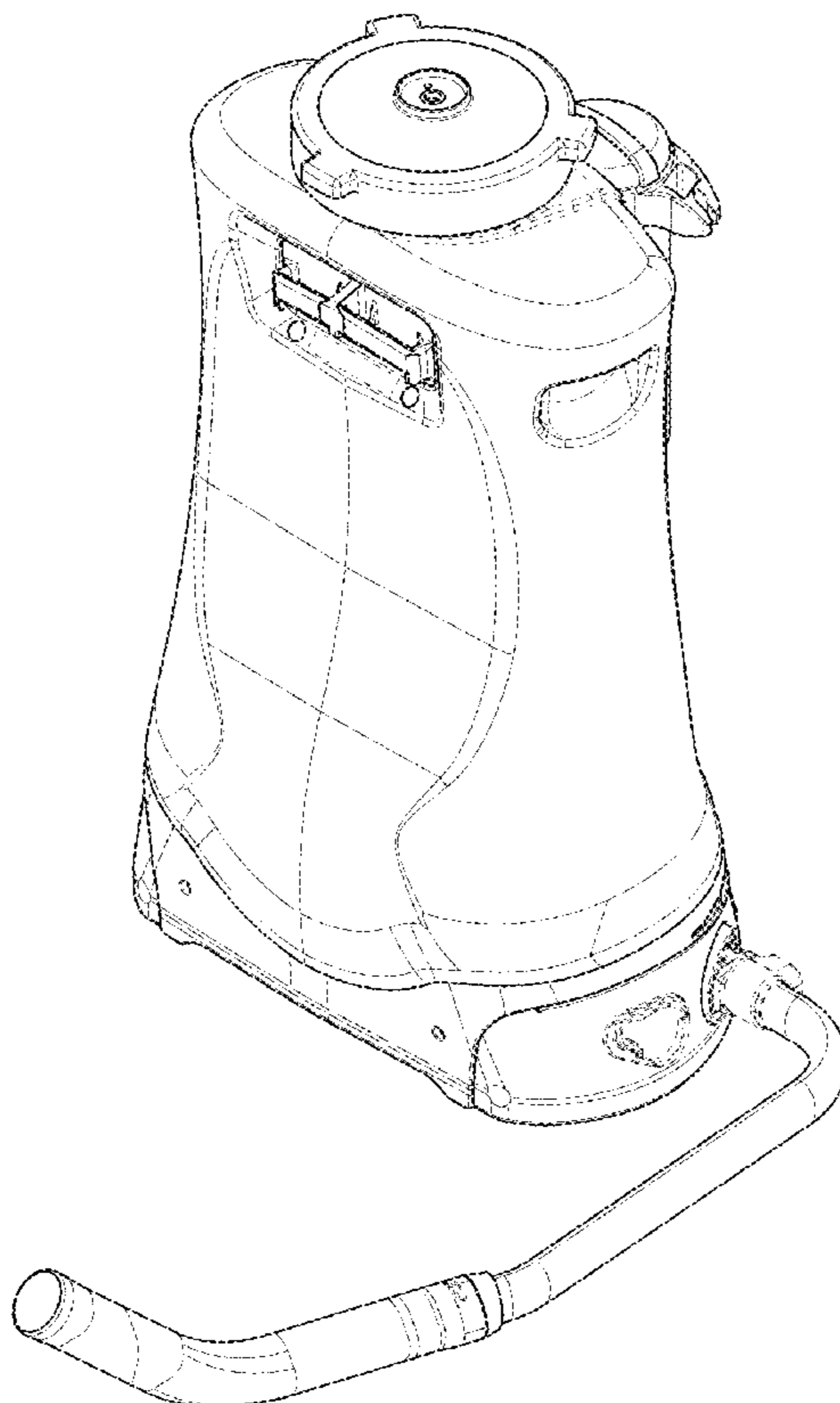
(56) **References Cited**

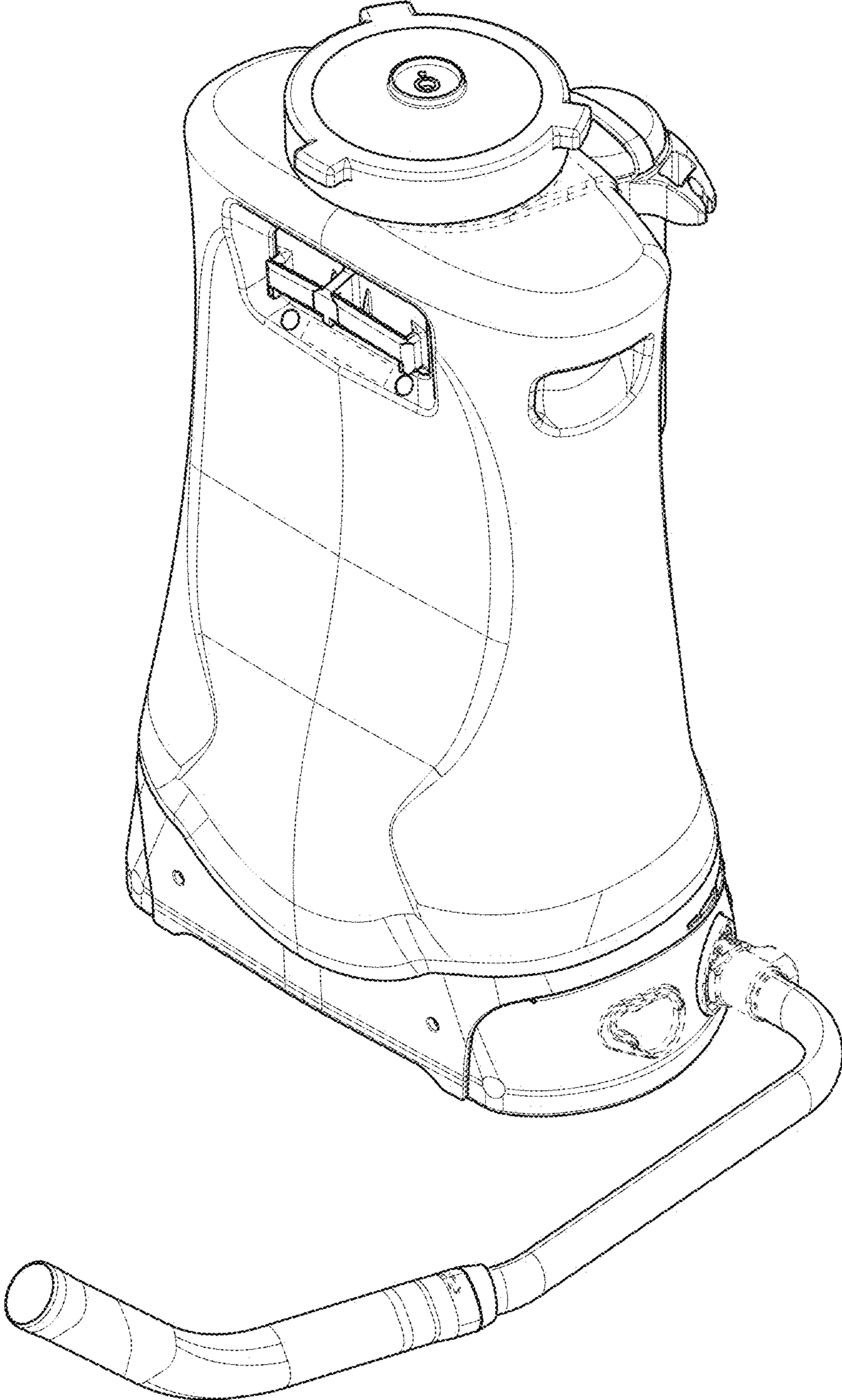
U.S. PATENT DOCUMENTS

D409,725 S * 5/1999 Ito D23/235

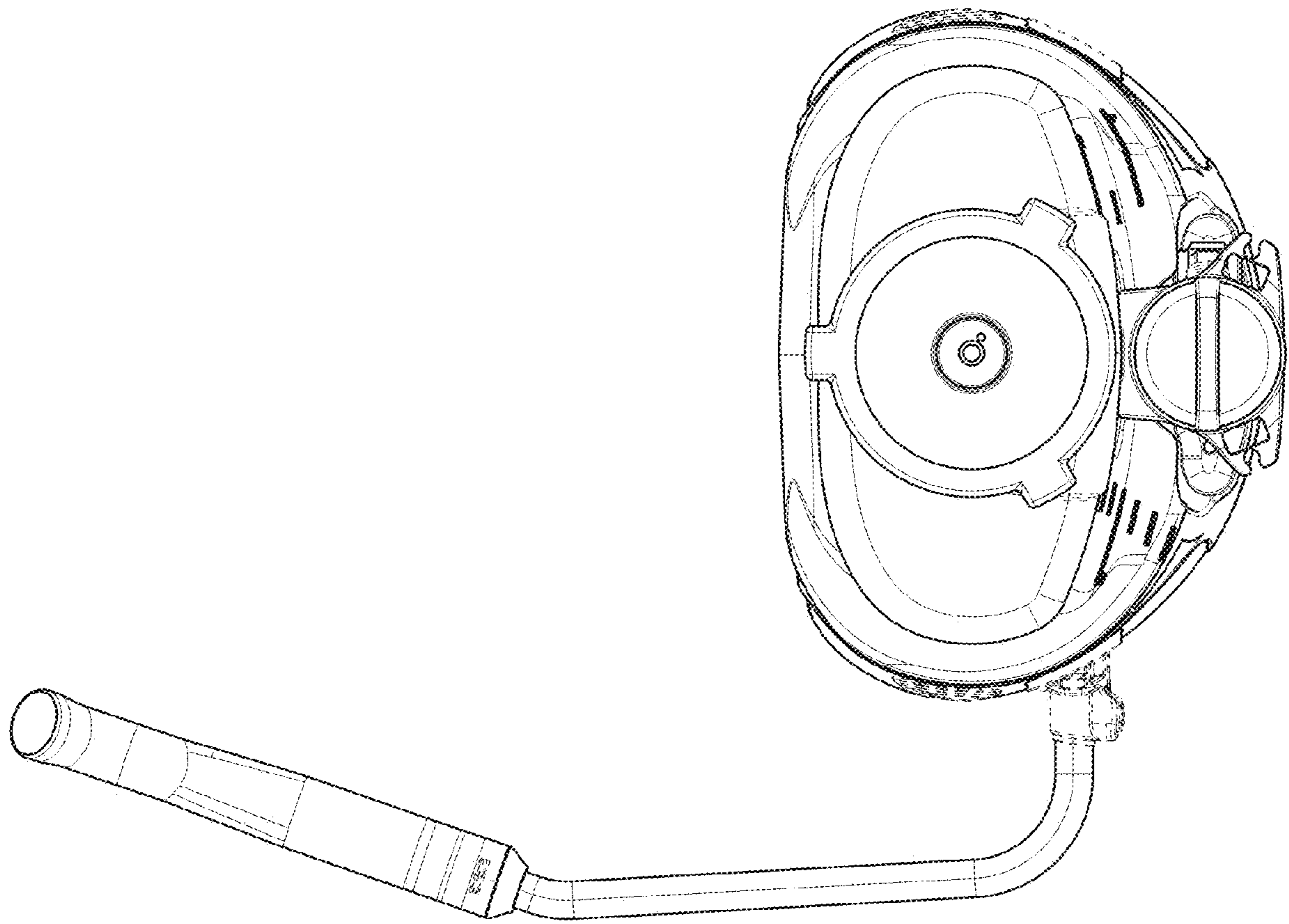
D600,725 S * 9/2009 Iwai D15/143

1 Claim, 5 Drawing Sheets

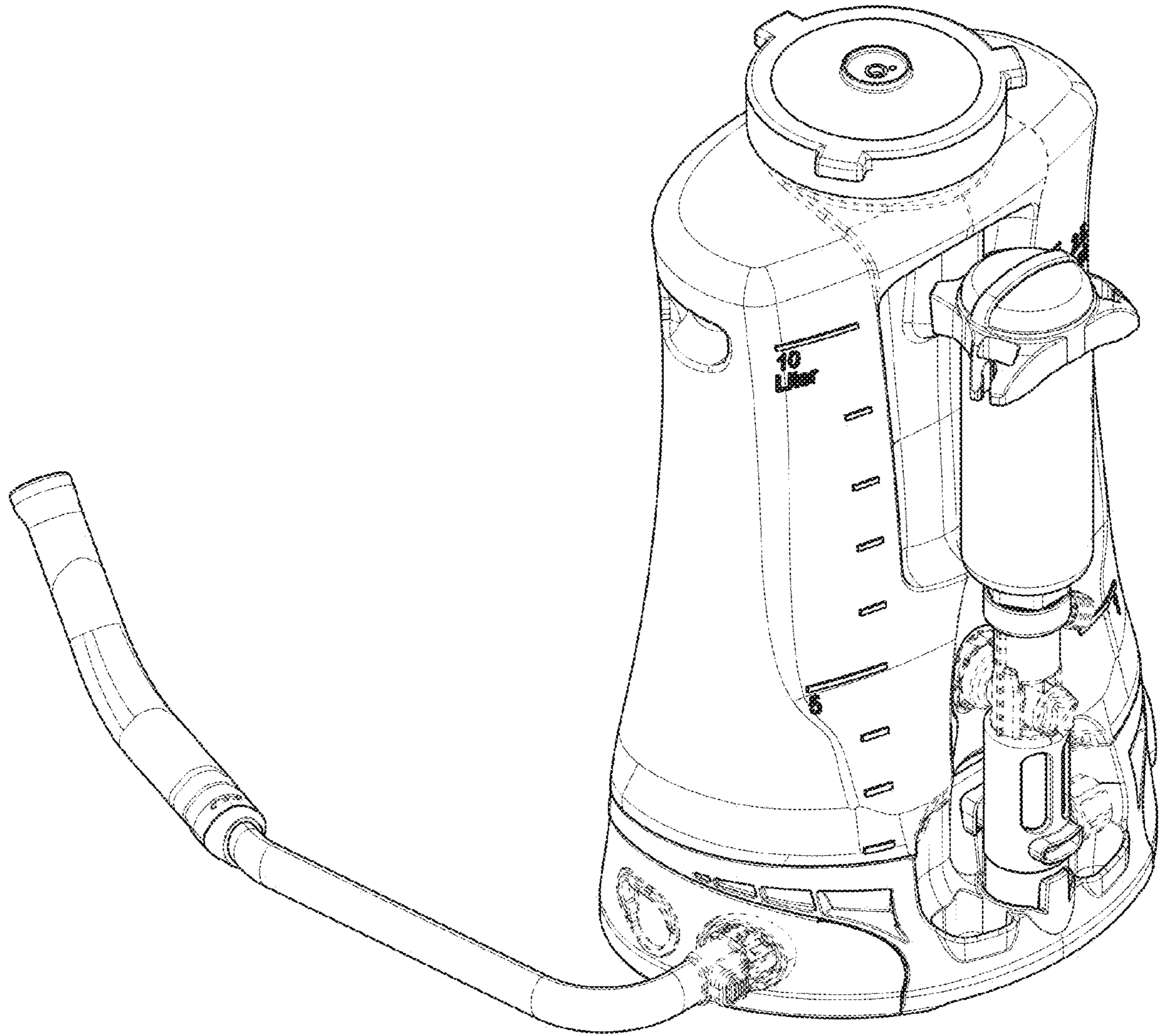




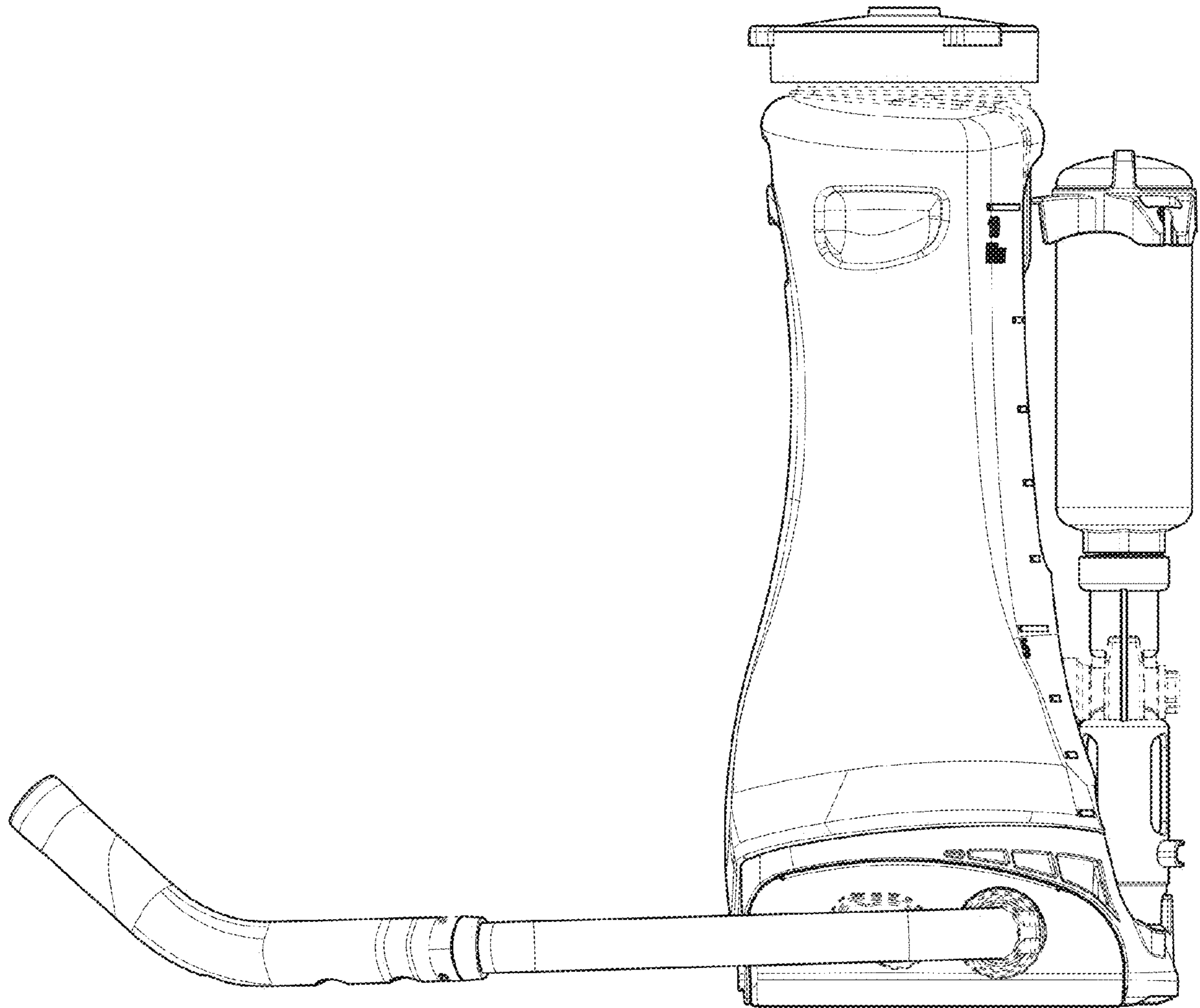
1.1



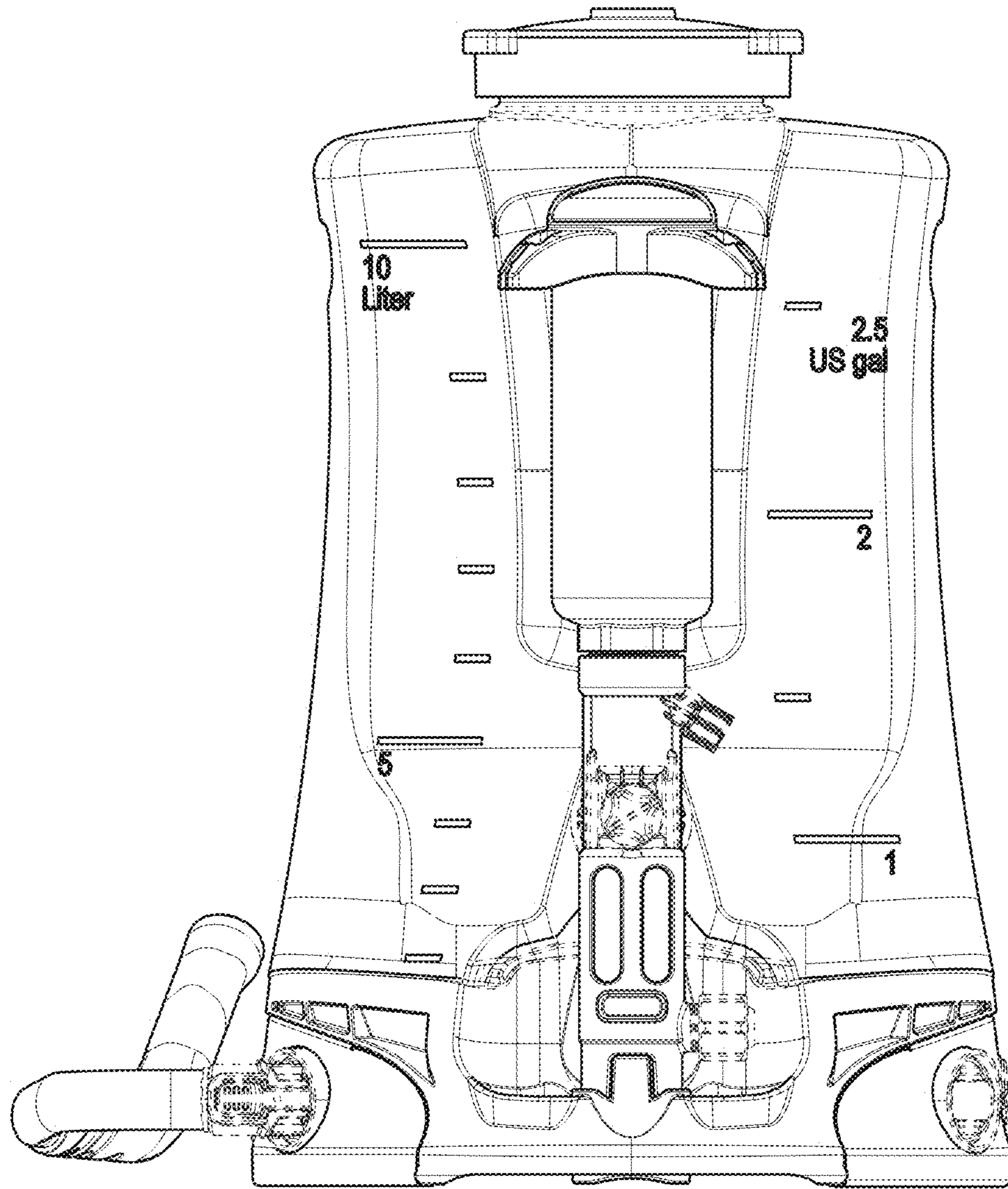
1.2



1.3



1.4



1.5