



US00D891579S

(12) **United States Design Patent**  
**Cai**

(10) **Patent No.:** **US D891,579 S**

(45) **Date of Patent:** **\*\* Jul. 28, 2020**

(54) **PRESSURE WASHER GUTTER ROD WAND**

(71) Applicant: **Xubin Cai**, Shenzhen (CN)

(72) Inventor: **Xubin Cai**, Shenzhen (CN)

(\*\*) Term: **15 Years**

(21) Appl. No.: **29/719,521**

(22) Filed: **Jan. 6, 2020**

(51) **LOC (12) Cl.** ..... **23-01**

(52) **U.S. Cl.**

USPC ..... **D23/213**

(58) **Field of Classification Search**

USPC ..... D23/213, 214, 215, 223, 224, 226, 229,  
D23/230

CPC ..... A61H 9/0021; A61H 33/00; B05B 1/00;  
B05B 1/14; B05B 1/185; B05B 1/08;  
B05B 1/02; B05B 1/26; B05B 12/002;  
B05B 1/18; B05B 9/01

See application file for complete search history.

(56) **References Cited**

**U.S. PATENT DOCUMENTS**

D470,567 S	2/2003	Alkalay et al.	
D520,854 S	5/2006	Barrett	
D578,719 S	10/2008	Lofton	
D625,573 S	10/2010	Bonzer	
D651,282 S	12/2011	Bonzer	
D810,233 S *	2/2018	Winter	D23/213
D810,861 S *	2/2018	Weaver	D23/213
D820,388 S *	6/2018	Seum	D23/213
D820,949 S *	6/2018	Reinecker	D23/213
D821,542 S *	6/2018	Reinecker	D23/213
D824,485 S *	7/2018	Montoya	D23/213
D839,384 S *	1/2019	Svendsen	D23/213
D840,503 S *	2/2019	Stein	D23/213
D841,121 S *	2/2019	Kiefer	D23/213
D842,429 S *	3/2019	Huang	D23/213
D842,430 S *	3/2019	Huang	D23/213
D842,431 S *	3/2019	Cacka	D23/213

D842,967 S *	3/2019	Farley	D23/213
D854,349 S *	7/2019	Moerman	D6/549
D868,940 S *	12/2019	Moerman	D23/238
D869,611 S *	12/2019	van Vliet	D23/241
D869,612 S *	12/2019	Moerman	D23/242

**OTHER PUBLICATIONS**

[https://www.amazon.com/Twinkle-Star-Pressure-Extension-  
Replacement/dp/B07QK7XXLV/ref=sr\\_1\\_5?dchild=1&keywords=  
pressure+washer+rod&qid=1587400417&sr=8-5](https://www.amazon.com/Twinkle-Star-Pressure-Extension-Replacement/dp/B07QK7XXLV/ref=sr_1_5?dchild=1&keywords=pressure+washer+rod&qid=1587400417&sr=8-5) (Year: 2019).\*

\* cited by examiner

*Primary Examiner* — Manpreet S Matharu

*Assistant Examiner* — Keith J Wilson

(74) *Attorney, Agent, or Firm* — KA Filing LLC; Wayne  
V. Harper; Cynthia Flanigan

(57) **CLAIM**

I claim the ornamental design for a pressure washer gutter  
rod wand, as shown and described.

**DESCRIPTION**

FIG. 1 is a Perspective view of a pressure washer gutter rod  
wand showing my new design;

FIG. 2 is a Left-side view thereof;

FIG. 3 is a Right-side view thereof;

FIG. 4 is a Front view thereof;

FIG. 5 is a Back view thereof;

FIG. 6 is a Top view thereof;

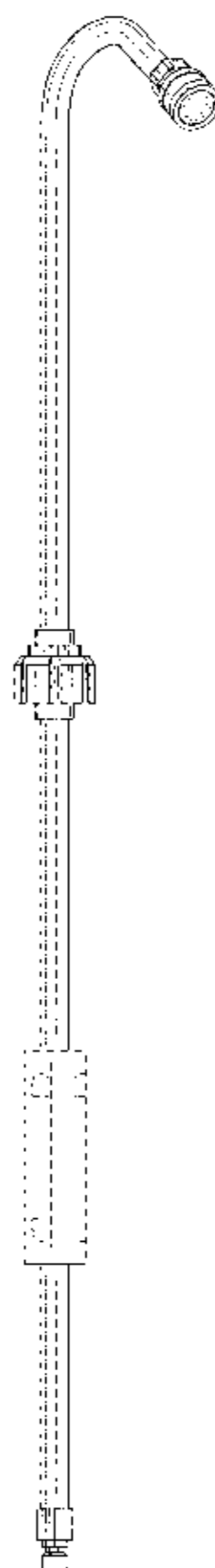
FIG. 7 is a Bottom view thereof;

FIG. 8 is other perspective view of the pressure washer  
gutter rod in open position to showcase the different part  
thereof; and,

FIG. 9 is the exploded view of section 9-9 showcased in  
FIG. 8.

The broken line shown represents portions or a pressure  
washer gutter rod wand and forms no part of the claimed  
design.

**1 Claim, 8 Drawing Sheets**



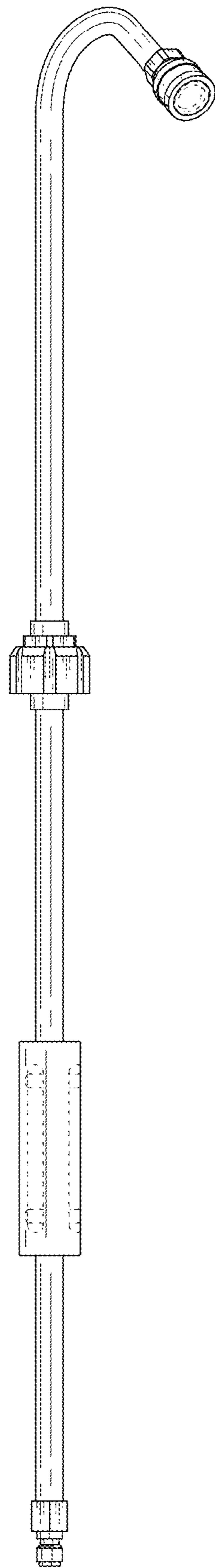


FIG. 1

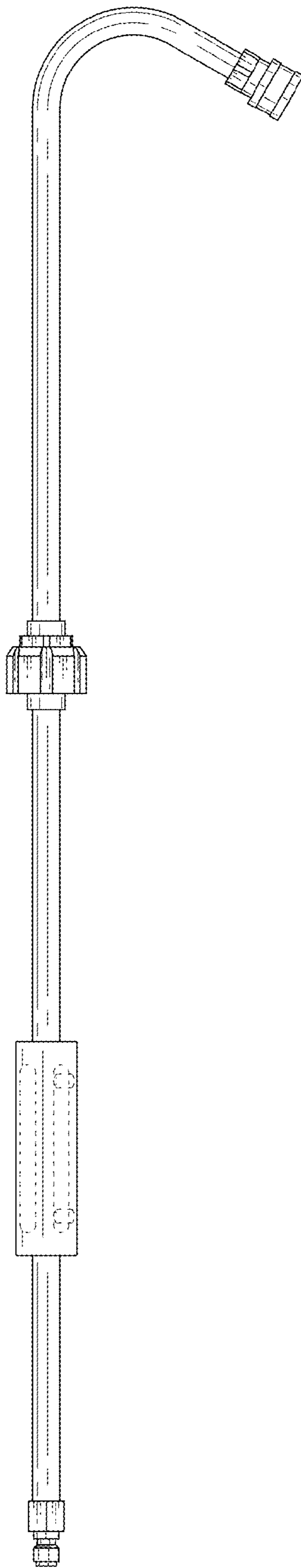


FIG. 2

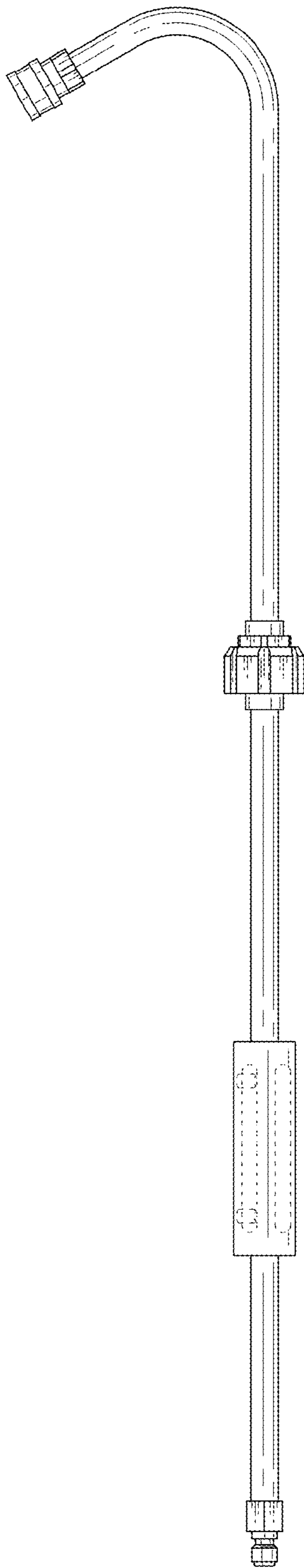


FIG. 3

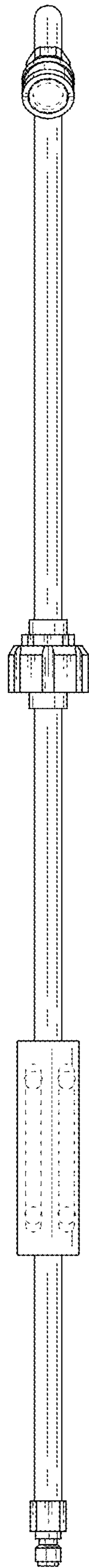


FIG. 4

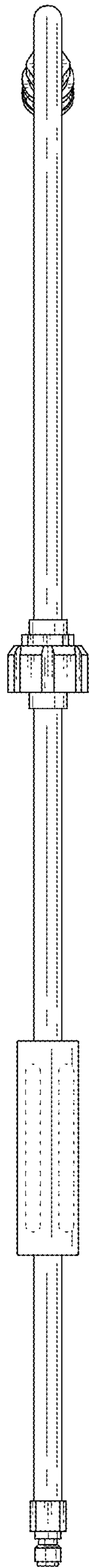


FIG. 5

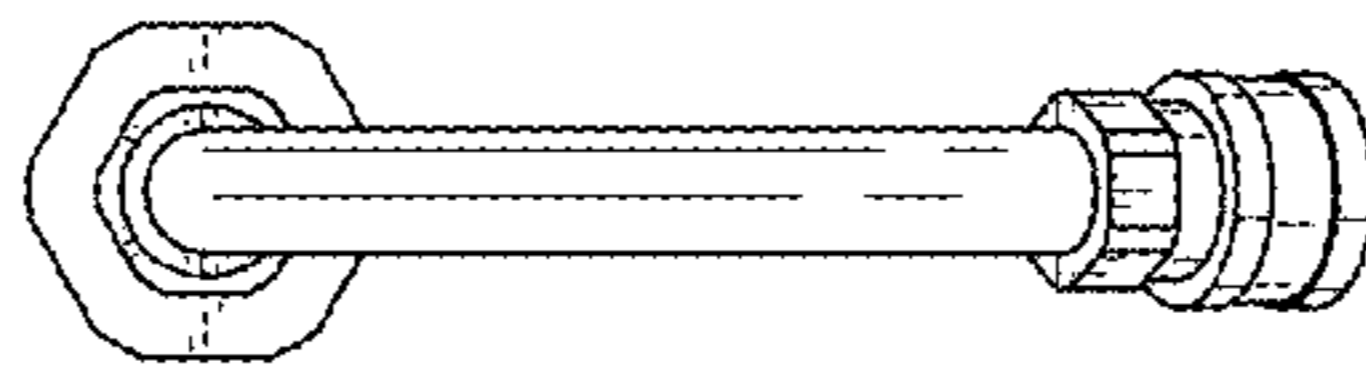


FIG. 6

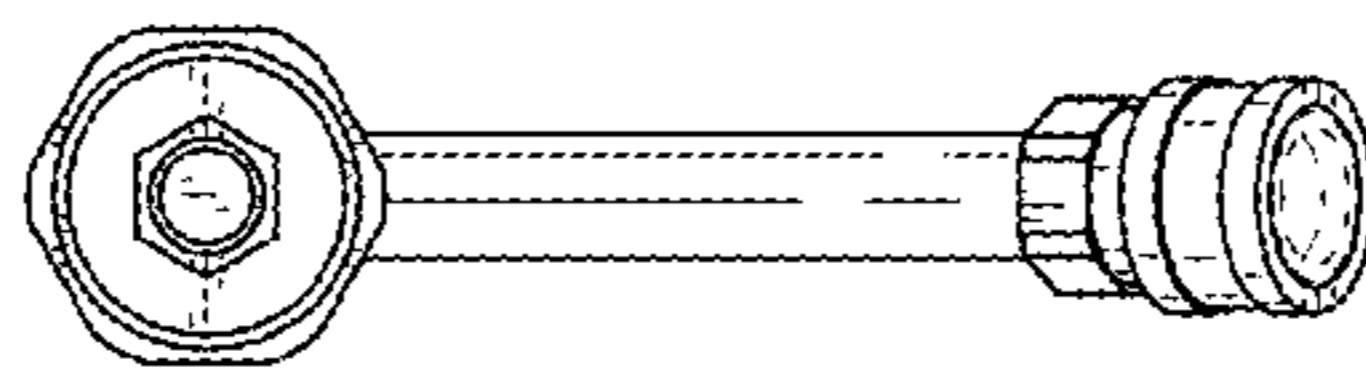


FIG. 7

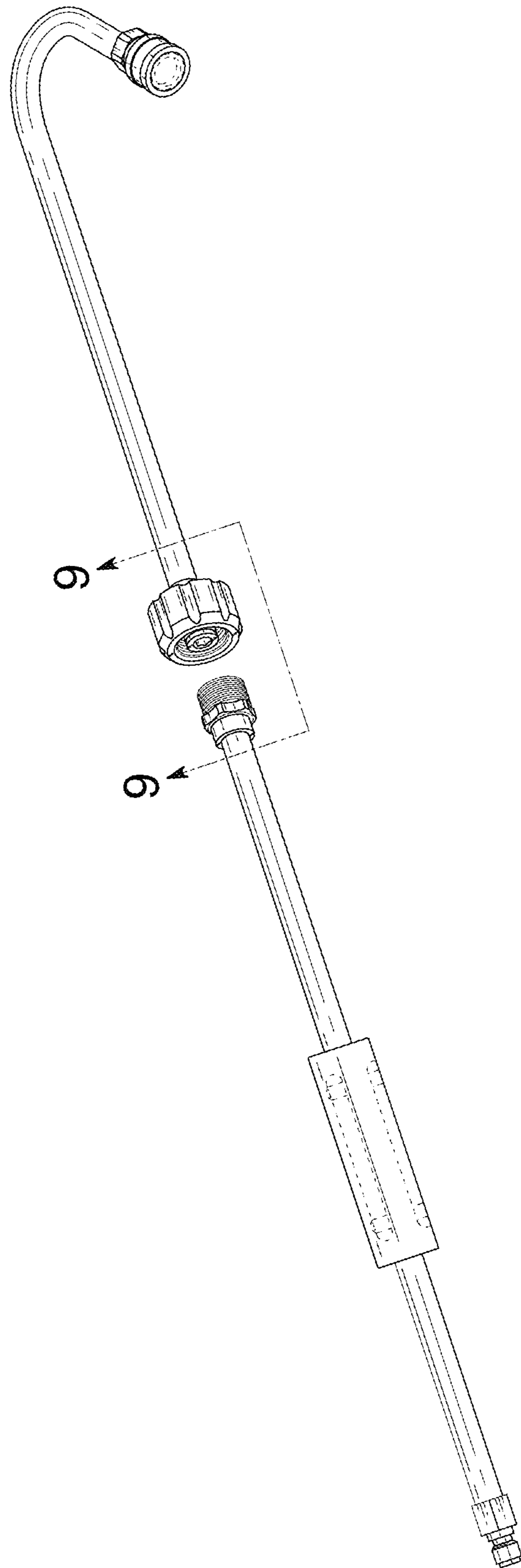


FIG. 8



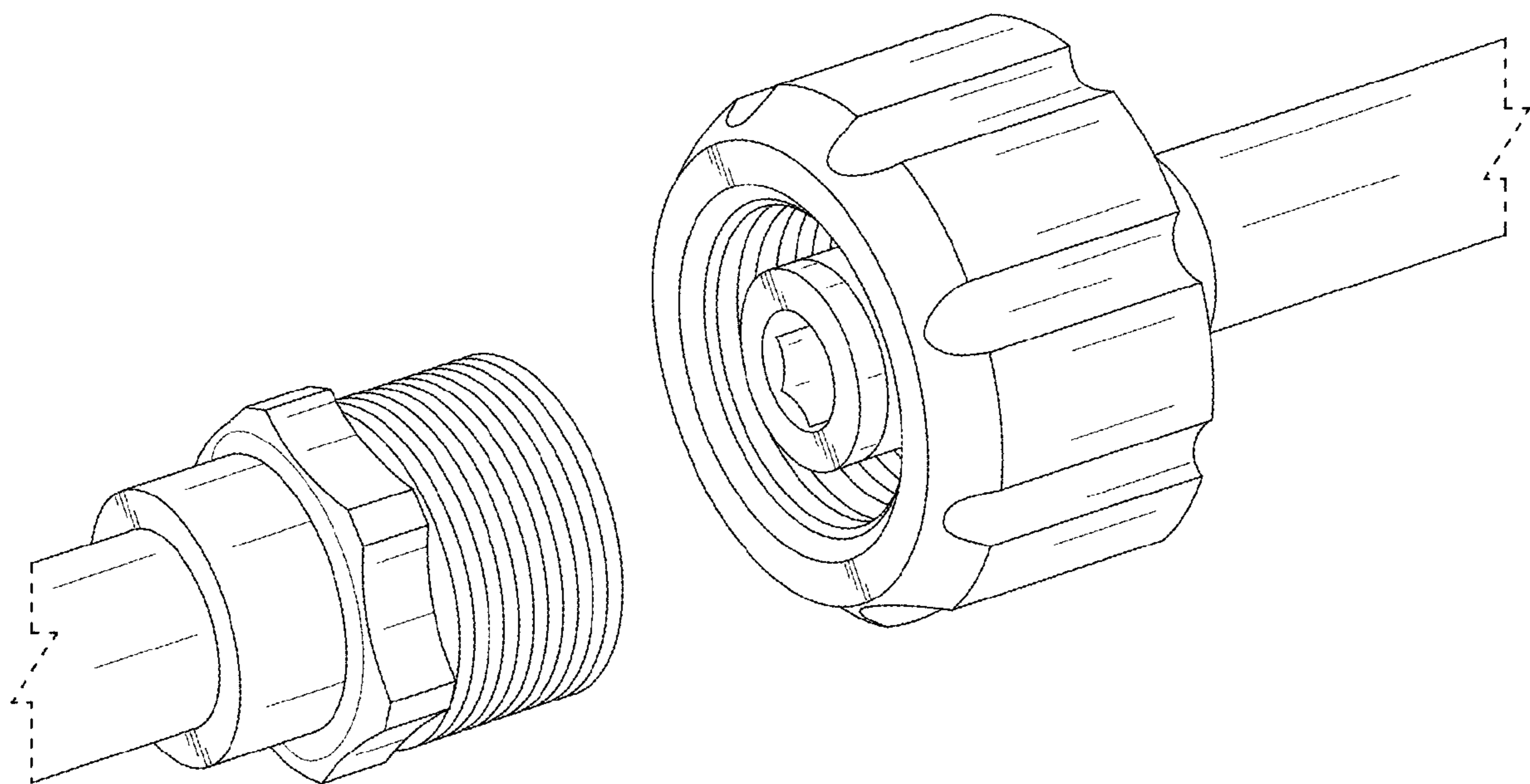


FIG. 9