



US00D891578S

(12) **United States Design Patent** (10) **Patent No.:** **US D891,578 S**  
**Stech et al.** (45) **Date of Patent:** **\*\* Jul. 28, 2020**

(54) **ELECTROSTATIC SPRAY GUN AIR CAP**

D604,393 S \* 11/2009 Johnson ..... D23/225  
D614,731 S \* 4/2010 Wang ..... D23/226  
7,950,598 B2 \* 5/2011 Olson ..... B05B 7/2437  
239/331

(71) Applicant: **Graco Minnesota Inc.**, Minneapolis, MN (US)

(Continued)

(72) Inventors: **Amelia J. Stech**, St. Paul, MN (US);  
**Elisa J. McCline**, Elk River, MN (US)

FOREIGN PATENT DOCUMENTS

(73) Assignee: **Graco Minnesota Inc.**, Minneapolis, MN (US)

TW D183761 6/2017

OTHER PUBLICATIONS

(\*\*) Term: **15 Years**

<https://www.amazon.com/dp/B07JJQZ6CL/> (Year: 2019).\*

(21) Appl. No.: **29/686,653**

(Continued)

(22) Filed: **Apr. 5, 2019**

*Primary Examiner* — Manpreet S Matharu

(51) **LOC (12) Cl.** ..... **23-01**

*Assistant Examiner* — Keith J Wilson

(52) **U.S. Cl.**

(74) *Attorney, Agent, or Firm* — Kinney & Lange, P.A.

USPC ..... **D23/213**

(58) **Field of Classification Search**

(57) **CLAIM**

USPC ..... D23/213, 214, 215, 223, 224, 226, 229,  
D23/230

The ornamental design for an electrostatic spray gun air cap, as shown and described.

CPC ..... A61H 9/0021; A61H 33/00; B05B 1/00;  
B05B 1/14; B05B 1/185; B05B 1/08;  
B05B 1/02; B05B 1/26; B05B 12/002;  
B05B 1/18; B05B 9/01

**DESCRIPTION**

See application file for complete search history.

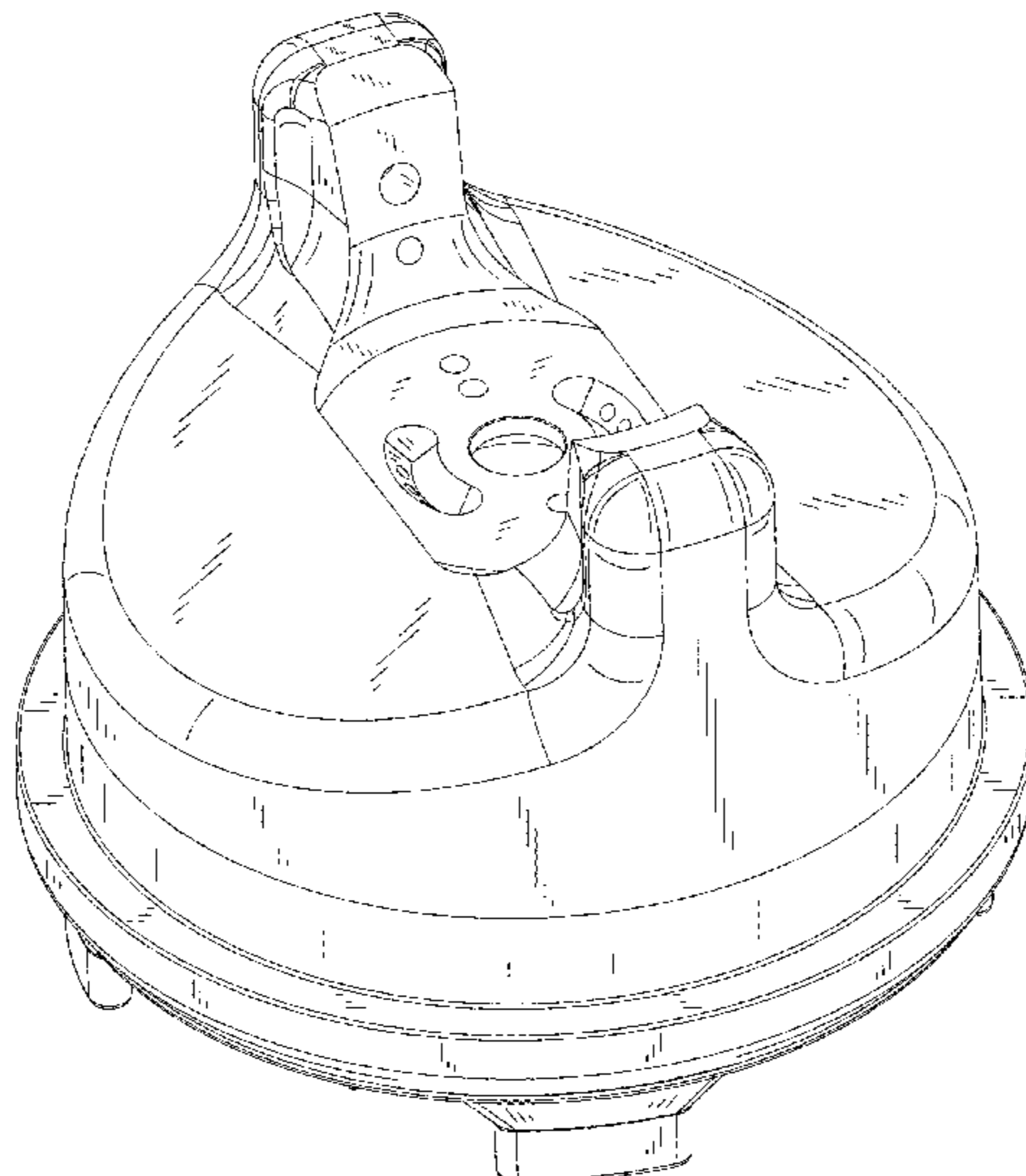
FIG. 1 is a first perspective view of an electrostatic spray gun air cap;  
FIG. 2 is a second perspective view of the electrostatic spray gun air cap;  
FIG. 3 is a left side view of the electrostatic spray gun air cap;  
FIG. 4 is a right side view of the electrostatic spray gun air cap;  
FIG. 5 is a front elevational view of the electrostatic spray gun air cap;  
FIG. 6 is a rear elevational view of the electrostatic spray gun air cap;  
FIG. 7 is a top plan view of the electrostatic spray gun air cap; and,  
FIG. 8 is a bottom plan view of the electrostatic spray gun air cap.

(56) **References Cited**

U.S. PATENT DOCUMENTS

4,660,774 A \* 4/1987 Kwok ..... B05B 15/00  
239/301  
5,332,156 A \* 7/1994 Wheeler ..... B05B 15/00  
239/288  
6,460,787 B1 \* 10/2002 Hartle ..... B05B 12/0026  
239/691  
6,854,667 B2 \* 2/2005 Ulrich ..... B05B 15/65  
239/288  
7,163,160 B2 \* 1/2007 Liu ..... B05B 7/066  
239/290  
D542,376 S 5/2007 Blette et al.  
D572,343 S \* 7/2008 Huang ..... D23/213  
D575,847 S \* 8/2008 Huang ..... D23/213

**1 Claim, 8 Drawing Sheets**



(56)

**References Cited**

U.S. PATENT DOCUMENTS

D649,221 S \* 11/2011 Sindera ..... D23/226  
D690,799 S \* 10/2013 Maier ..... D23/226  
D697,584 S \* 1/2014 Schmon ..... D23/226  
D698,008 S \* 1/2014 Schmon ..... D23/225  
D701,588 S \* 3/2014 Hedger ..... D23/226  
D725,743 S \* 3/2015 Richter ..... D23/226  
D757,214 S \* 5/2016 Richter ..... D23/213  
D768,262 S \* 10/2016 Kaneko ..... D23/213  
9,802,213 B2 \* 10/2017 Joseph ..... B05B 7/066  
10,493,473 B2 \* 12/2019 Joseph ..... B05B 7/0815

OTHER PUBLICATIONS

First ROC (Taiwan) Search Report for TW Application No. 108306151,  
Dated Feb. 15, 2020, pp. 5.  
First Indian Office Action for IN Application No. 322310-001,  
Dated Nov. 7, 2019, pp. 4.

\* cited by examiner

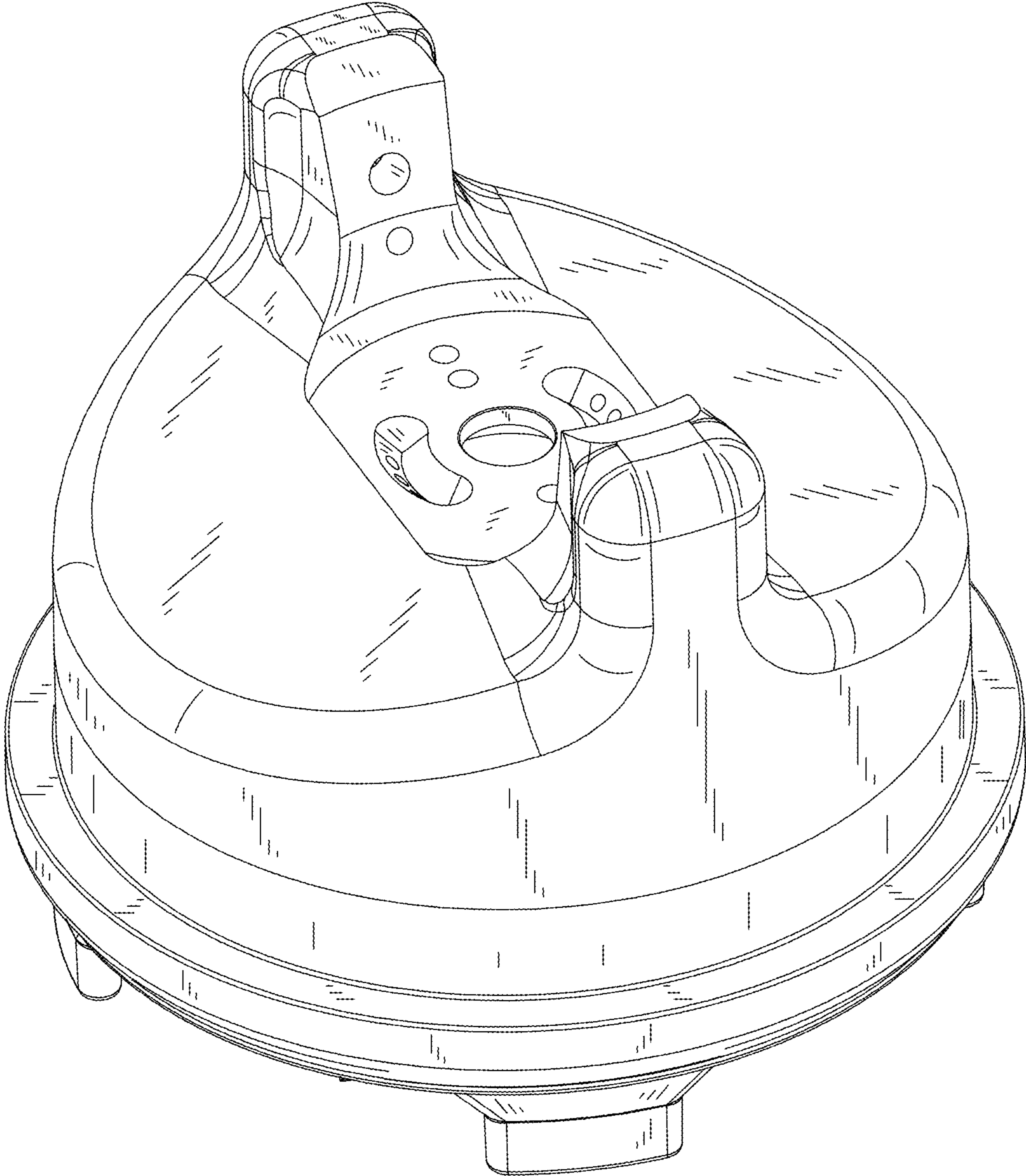


Fig. 1

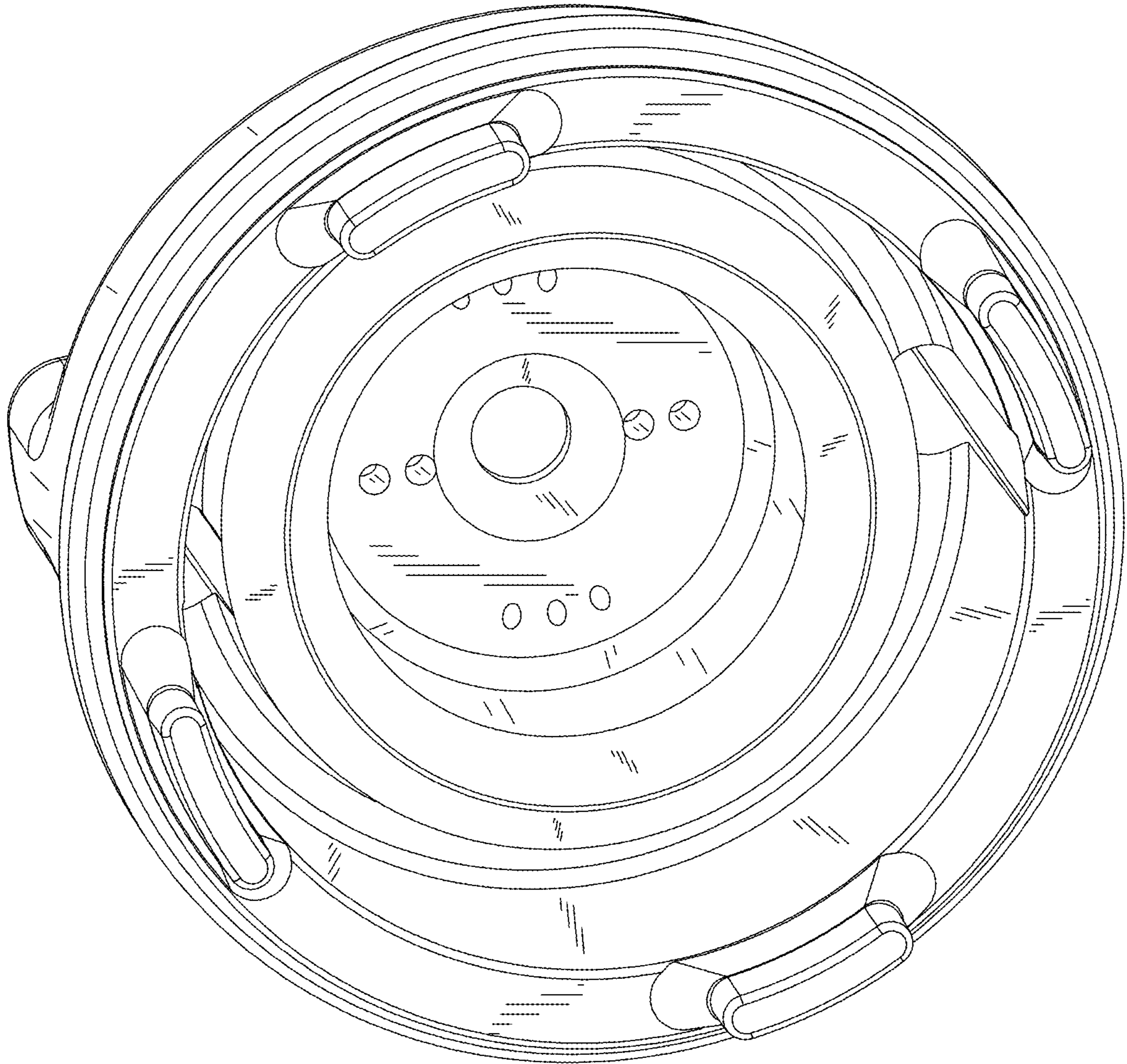


Fig. 2

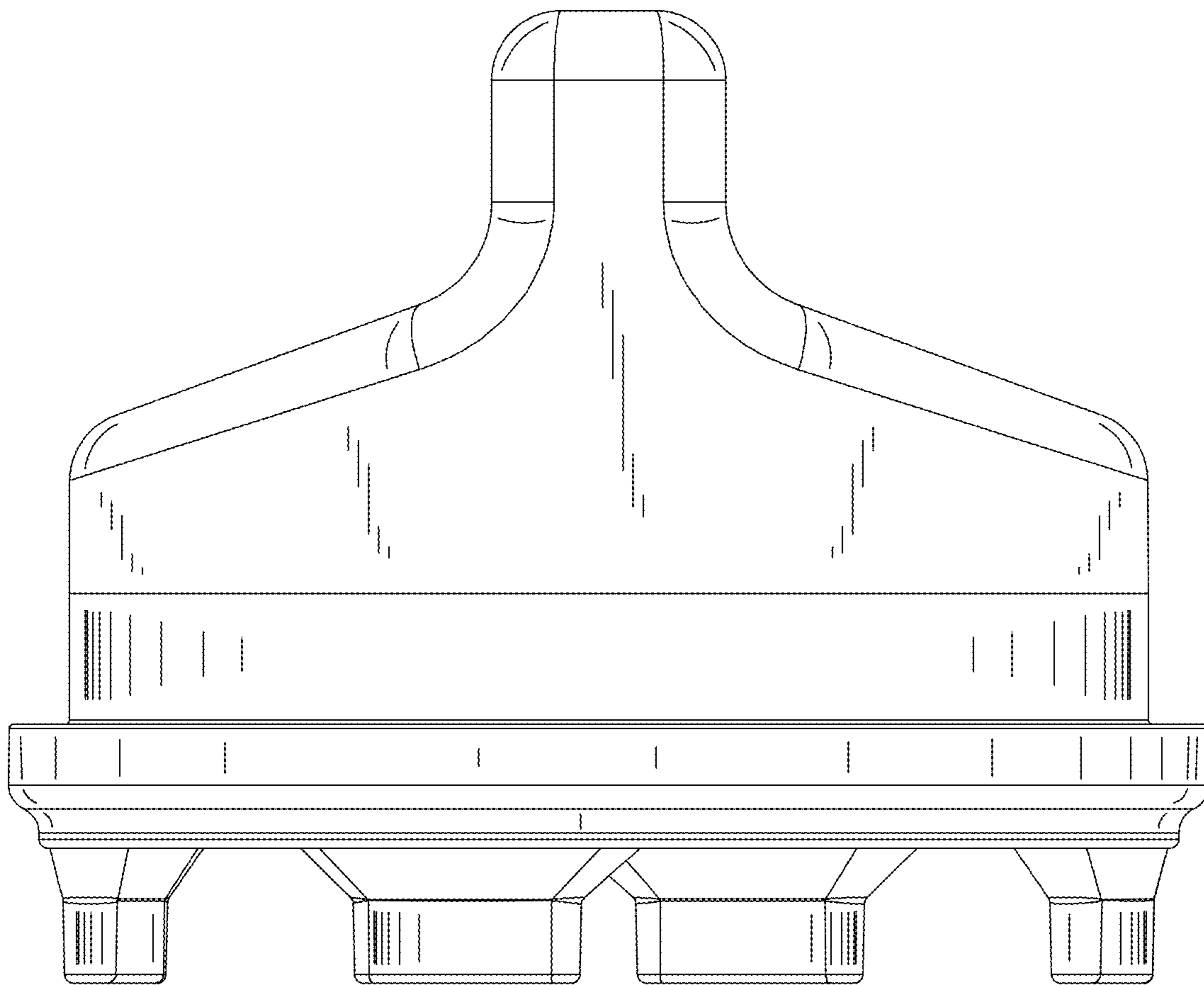


Fig. 3

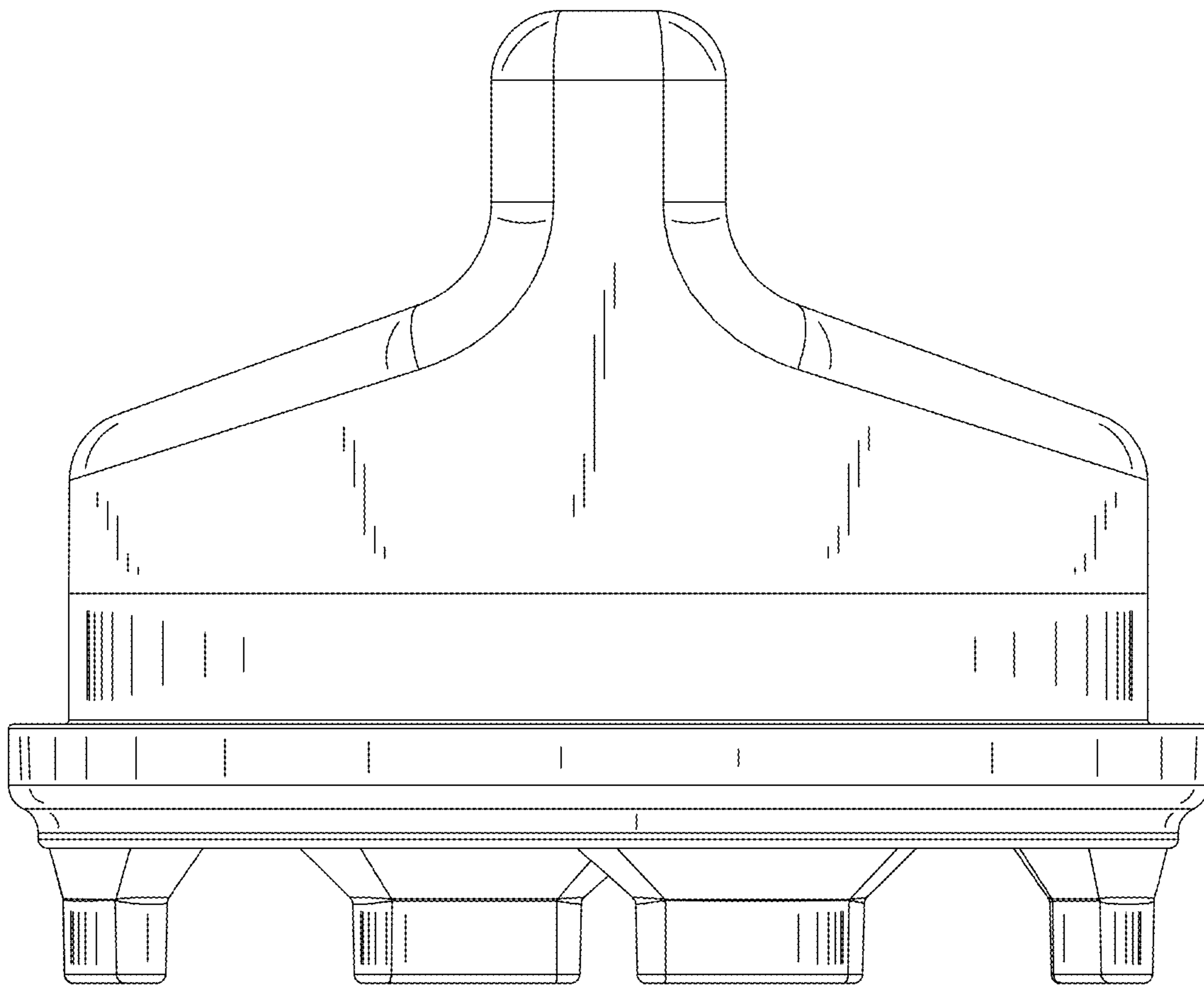


Fig. 4

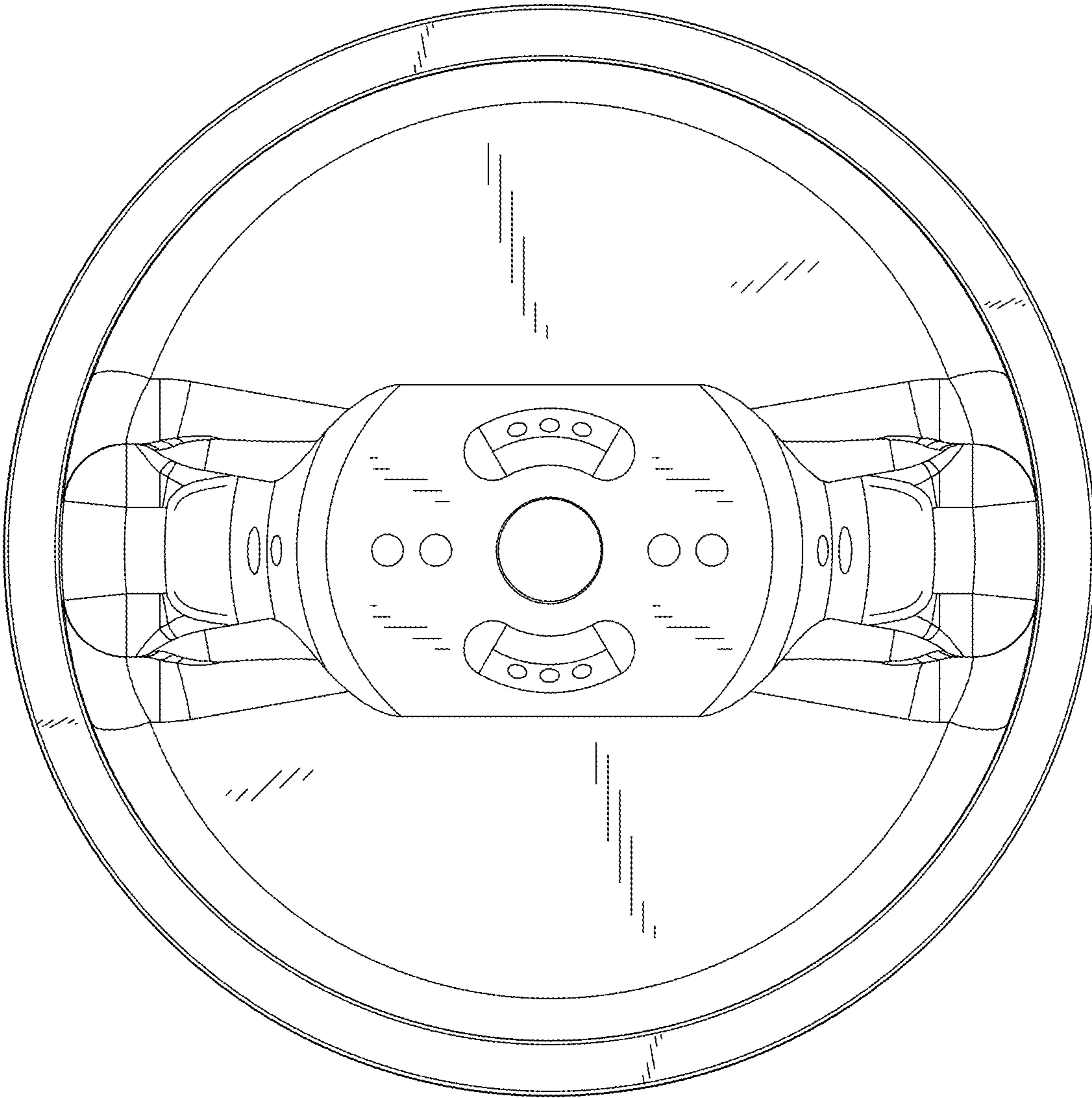


Fig. 5

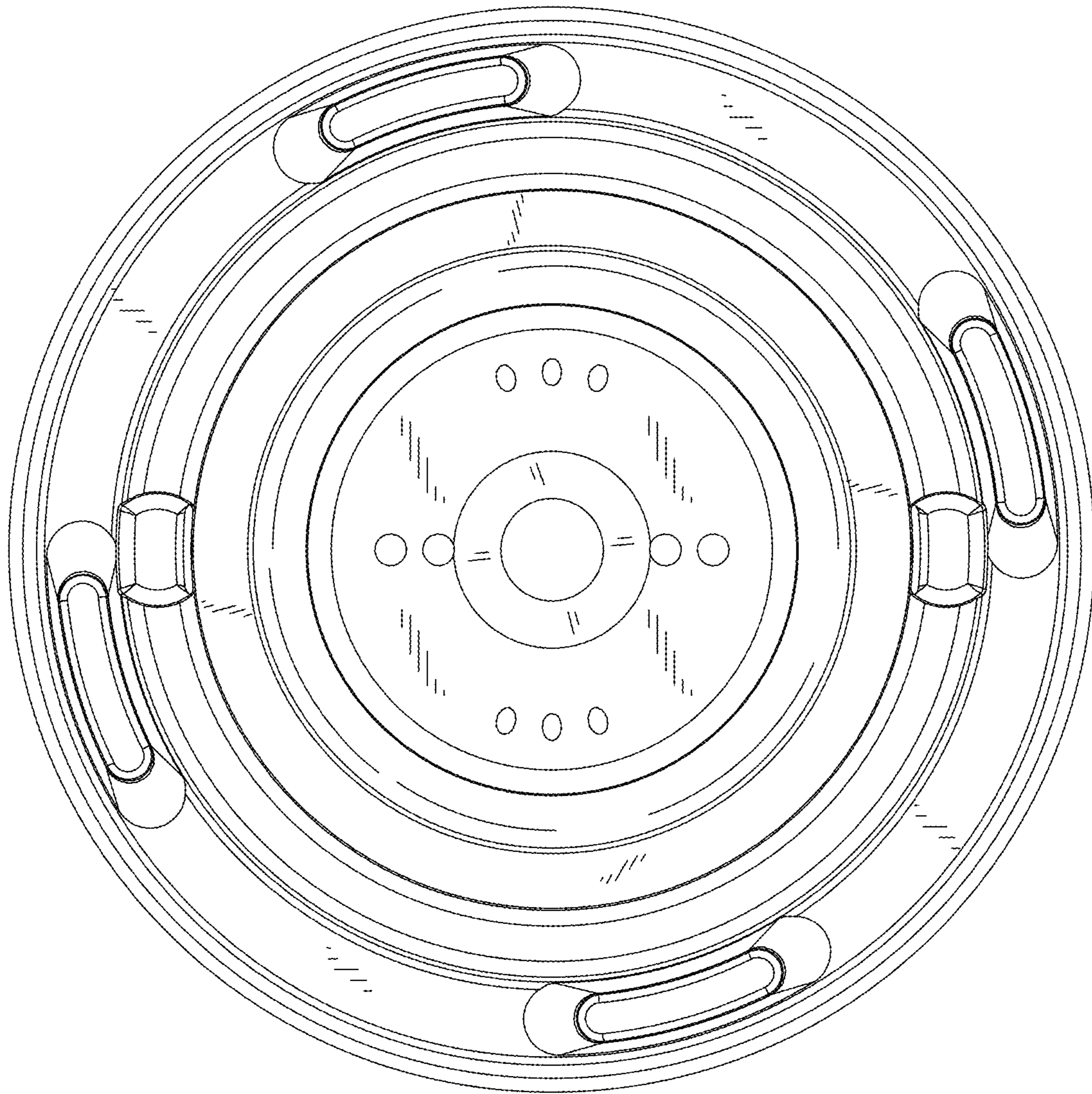


Fig. 6



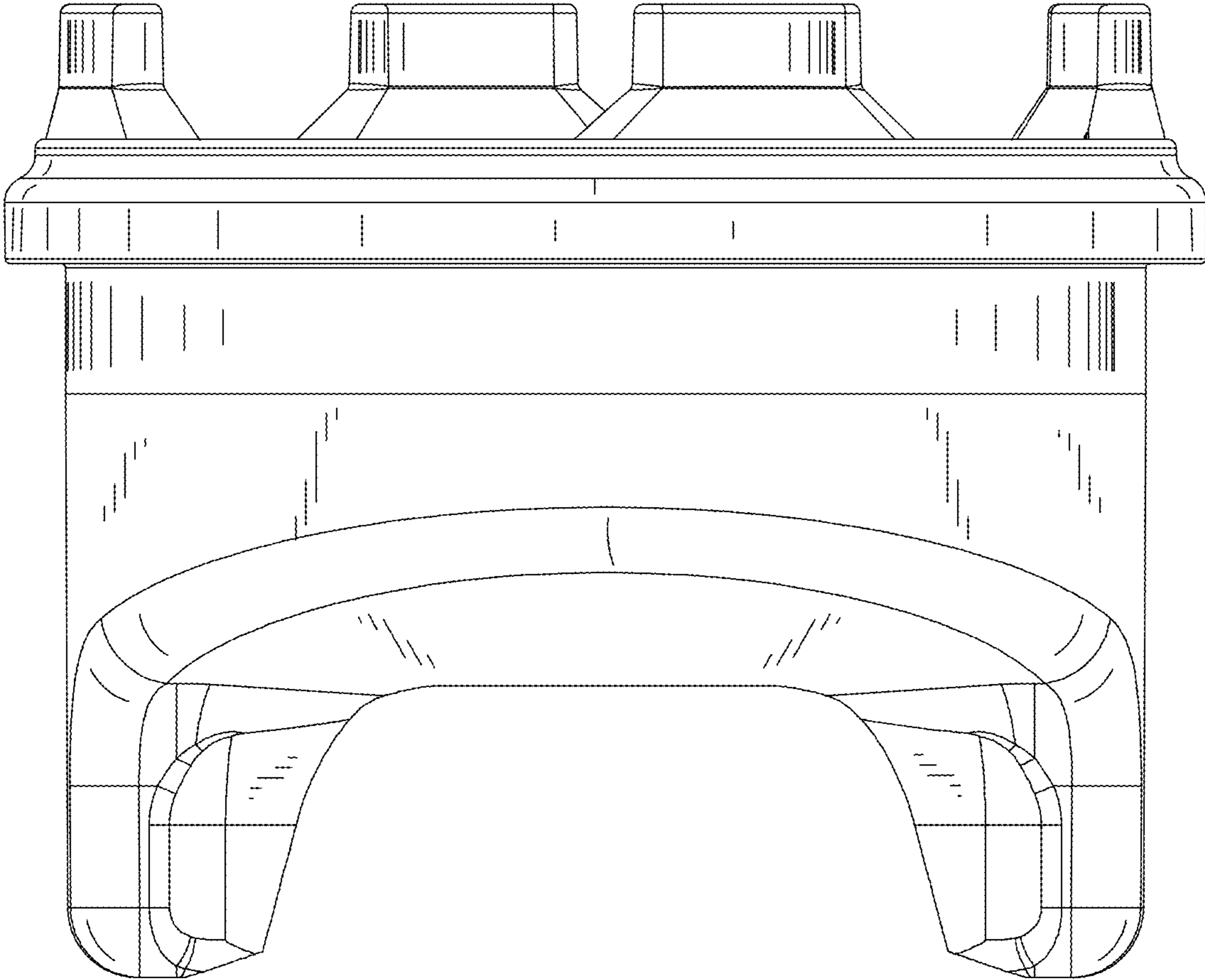


Fig. 7

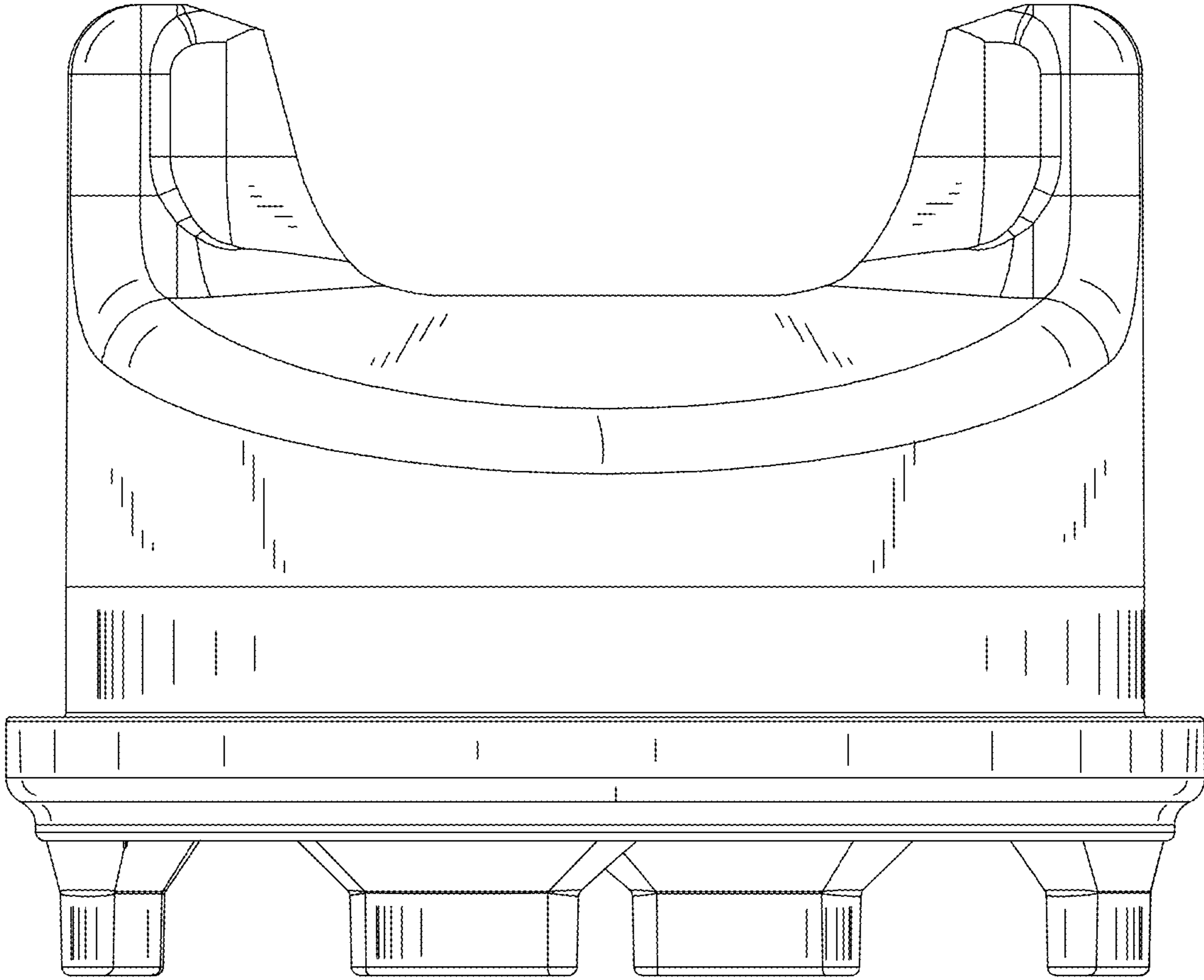


Fig. 8