



US00D891576S

(12) **United States Design Patent**
Furukawa et al.

(10) **Patent No.:** **US D891,576 S**
(45) **Date of Patent:** **** Jul. 28, 2020**

(54) **FISHING REEL**

(71) Applicant: **W.C. BRADLEY/ZEBCO HOLDINGS, INC.**, Tulsa, OK (US)

(72) Inventors: **Shaw Furukawa**, Tulsa, OK (US);
William David Addison, Jr., Broken Arrow, OK (US); **Amanda Hathcoat**, Claremore, OK (US)

(73) Assignee: **W.C. Bradley/Zebco Holdings, Inc.**, Tulsa, OK (US)

(**) Term: **15 Years**

(21) Appl. No.: **29/691,010**

(22) Filed: **May 13, 2019**

(51) **LOC (12) Cl.** **22-05**

(52) **U.S. Cl.**
USPC **D22/141**

(58) **Field of Classification Search**
USPC D22/140–141; 242/234–240, 246, 283,
242/310–314, 316, 319, 322–323, 370;
43/19–22

CPC A01K 81/00; A01K 81/04; A01K 89/08;
A01K 89/0102; A01K 91/02; F41B
5/1484; F41B 5/1488

See application file for complete search history.

(56) **References Cited**

U.S. PATENT DOCUMENTS

D281,190 S	*	10/1985	Sakai	D22/141
D314,603 S		2/1991	Jackson et al.		
D314,604 S		2/1991	Jackson et al.		
D353,183 S	*	12/1994	Kirby	D22/141
D404,109 S		1/1999	Zwayer et al.		
6,000,652 A		12/1999	Zwayer et al.		

6,138,935 A		10/2000	Zwayer et al.		
D459,430 S		6/2002	Burke		
D460,994 S		7/2002	Burke		
D482,753 S		11/2003	Burke		
6,726,137 B1 *		4/2004	Li	A01K 89/0102 242/238
D530,778 S	*	10/2006	Young	D22/141
D700,271 S		2/2014	McCune		
9,210,920 B1		12/2015	Zwayer et al.		
9,288,973 B1		3/2016	Zwayer et al.		
D790,657 S	*	6/2017	Noble	D22/140
D803,348 S	*	11/2017	Huang	D22/140
RE47,184 E		1/2019	Zwayer et al.		
D861,124 S	*	9/2019	Furukawa	D22/140

* cited by examiner

Primary Examiner — Catherine R Oliver-Garcia

(74) *Attorney, Agent, or Firm* — James F. Lea, III; Gable Gotwals

(57) **CLAIM**

The ornamental design for a fishing reel, as shown and described.

DESCRIPTION

FIG. 1 is a front perspective view of the fishing reel showing our design;

FIG. 2 is a top view thereof;

FIG. 3 is a rear perspective view thereof;

FIG. 4 is a front elevation view thereof;

FIG. 5 is a right side view thereof;

FIG. 6 is a rear elevation view thereof;

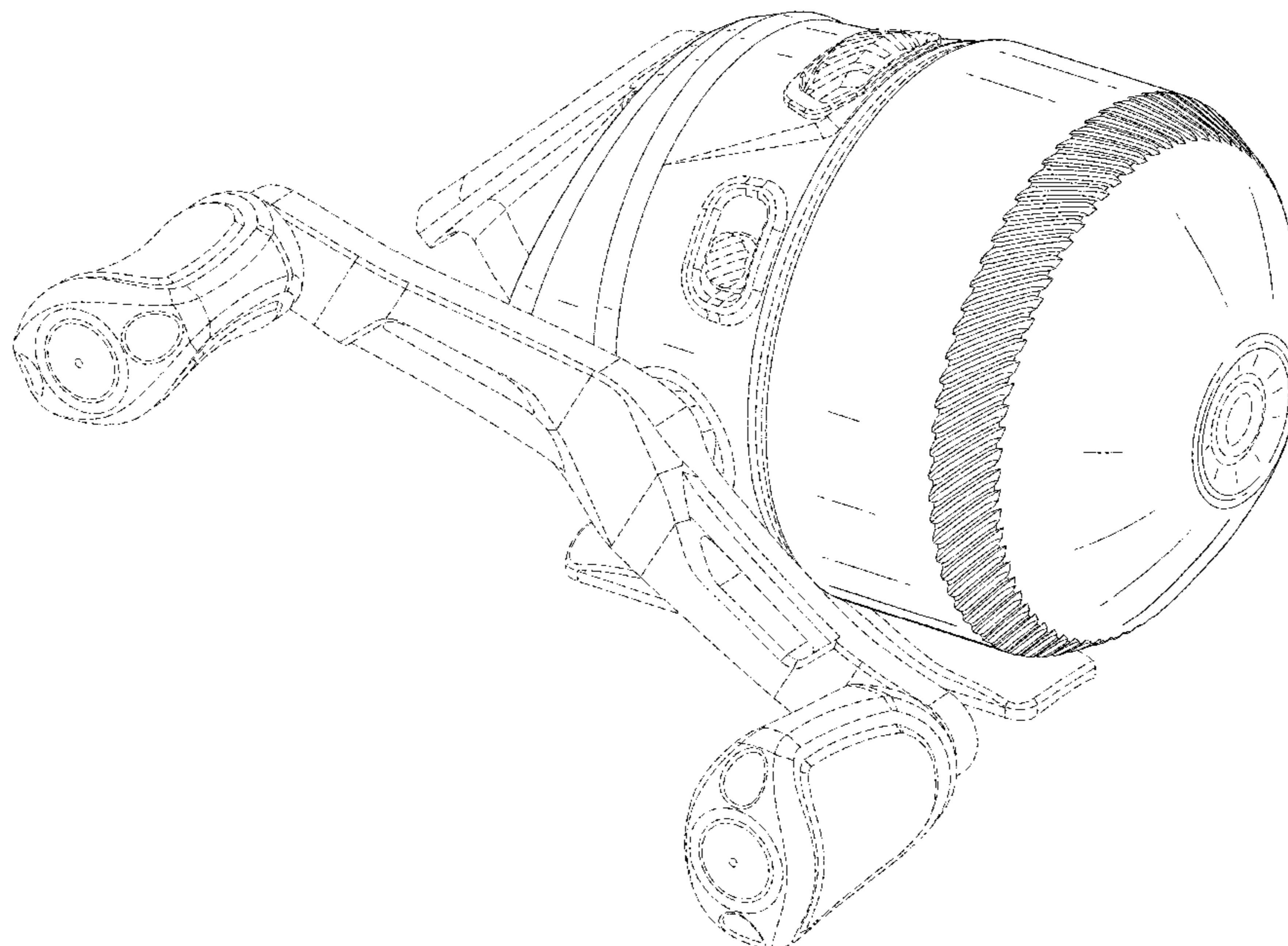
FIG. 7 is a left side view thereof;

FIG. 8 is a right perspective view thereof; and,

FIG. 9 is a bottom view thereof.

The broken lines in the figures are for the purpose of illustrating the environment in which the design is associated and form no part of the claimed design.

1 Claim, 9 Drawing Sheets



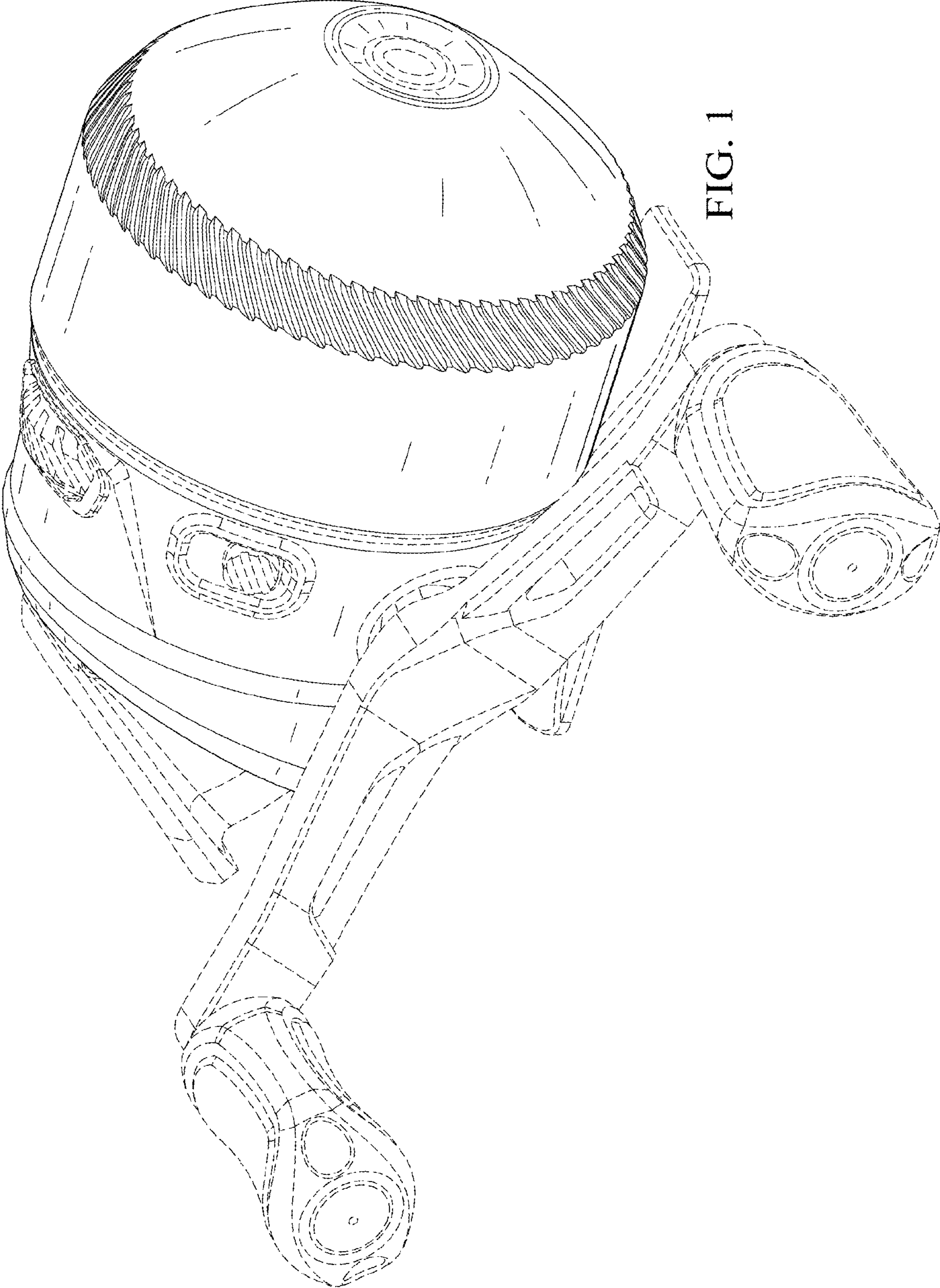


FIG. 1

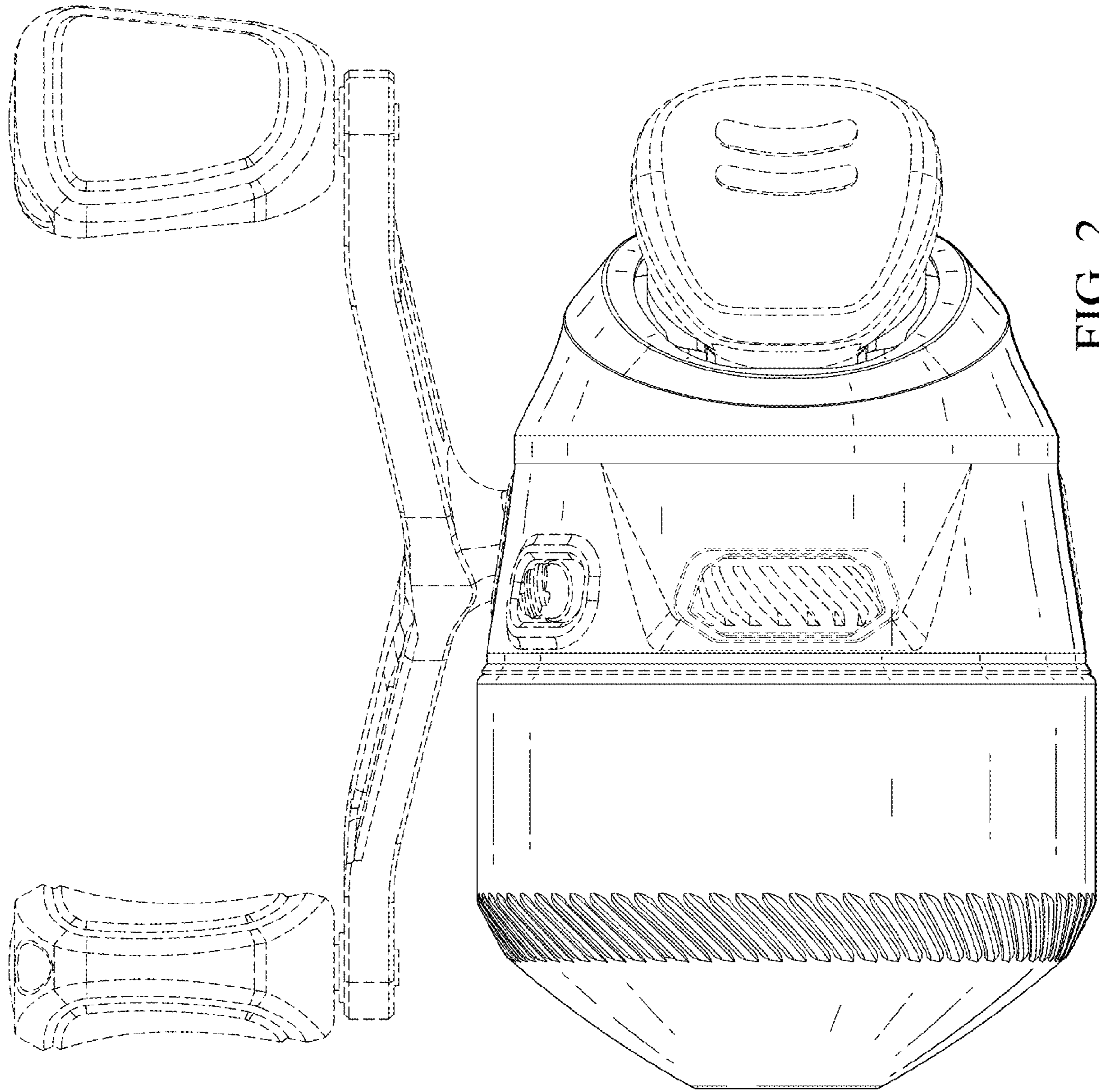


FIG. 2

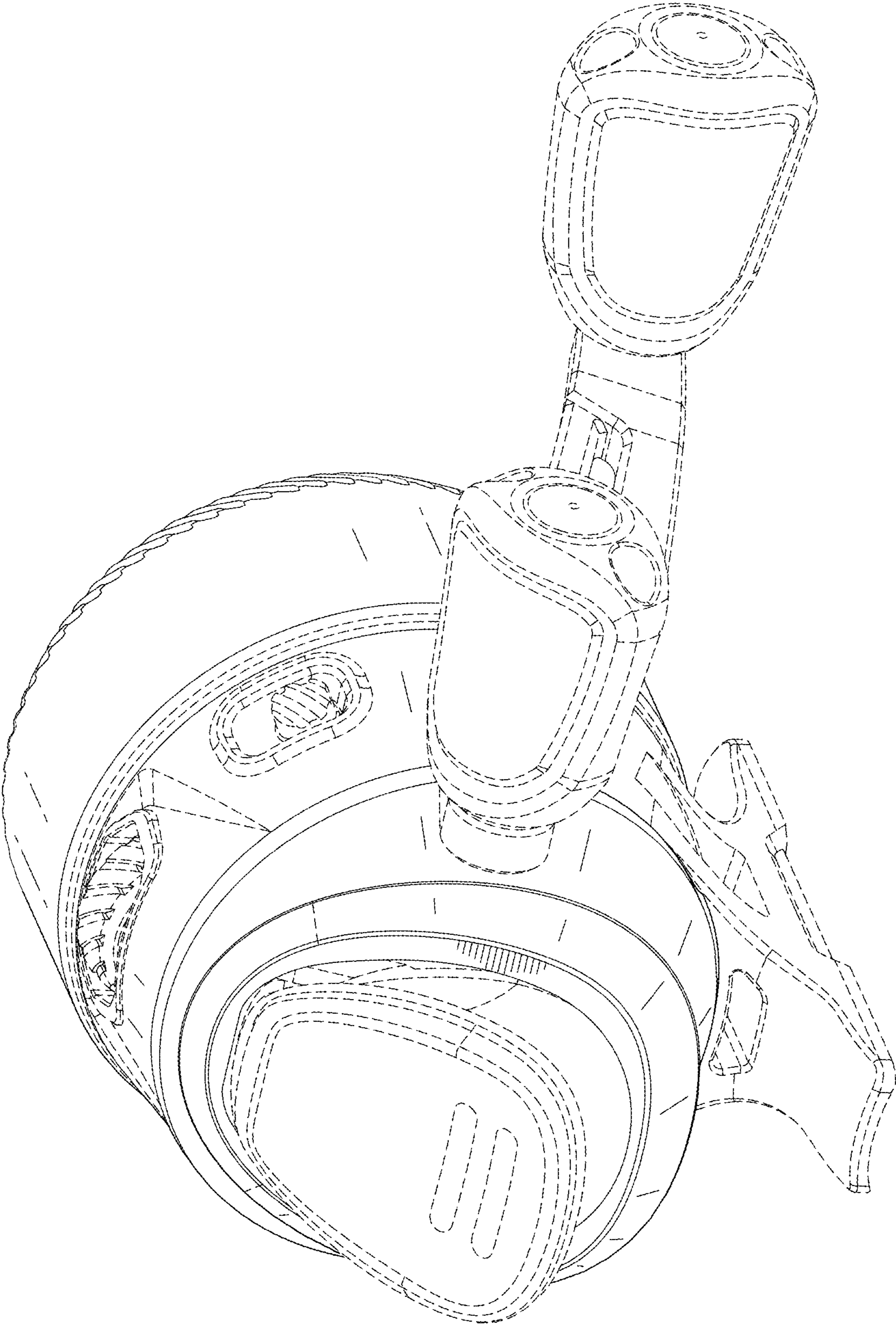


FIG. 3

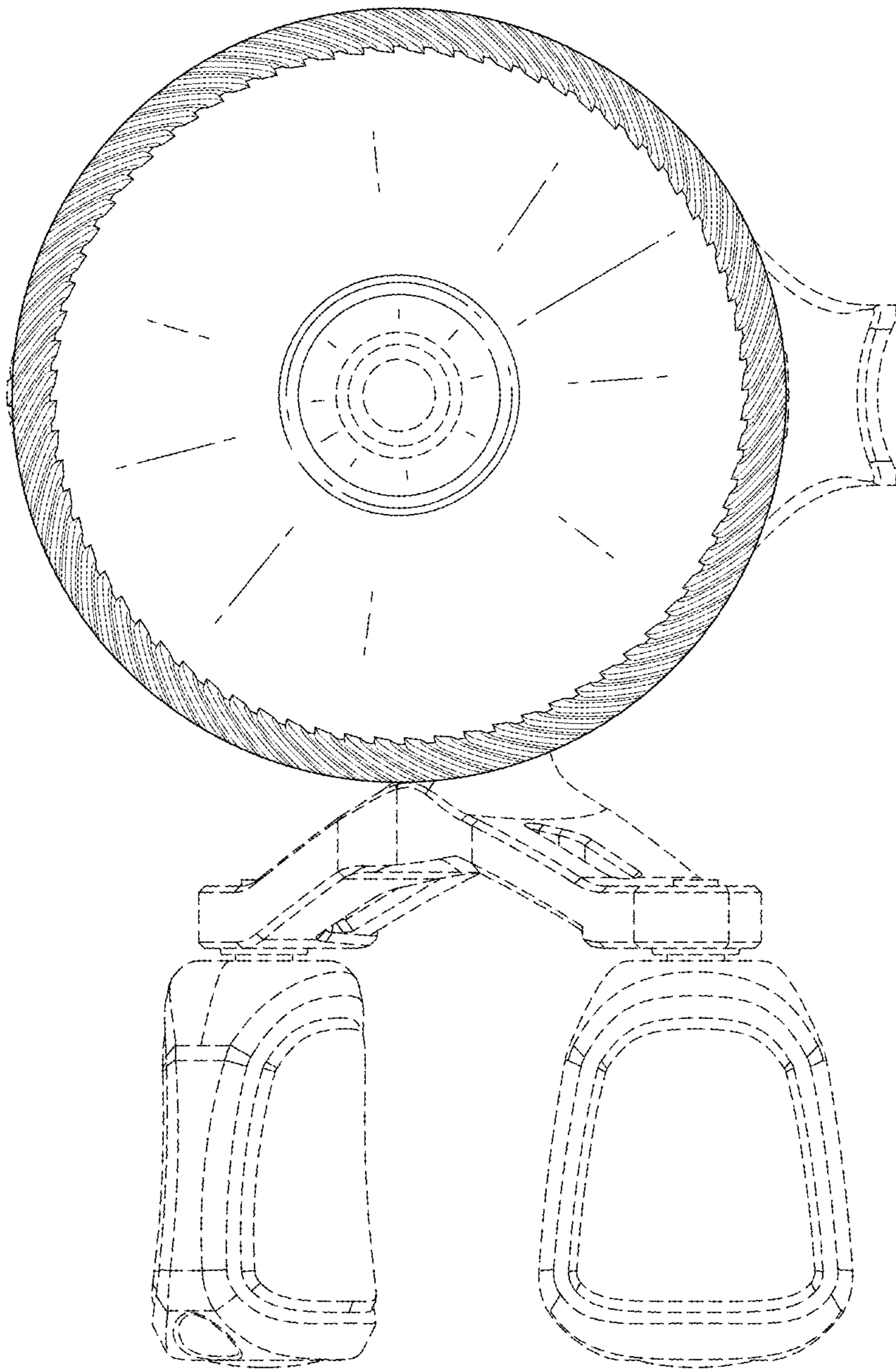


FIG. 4

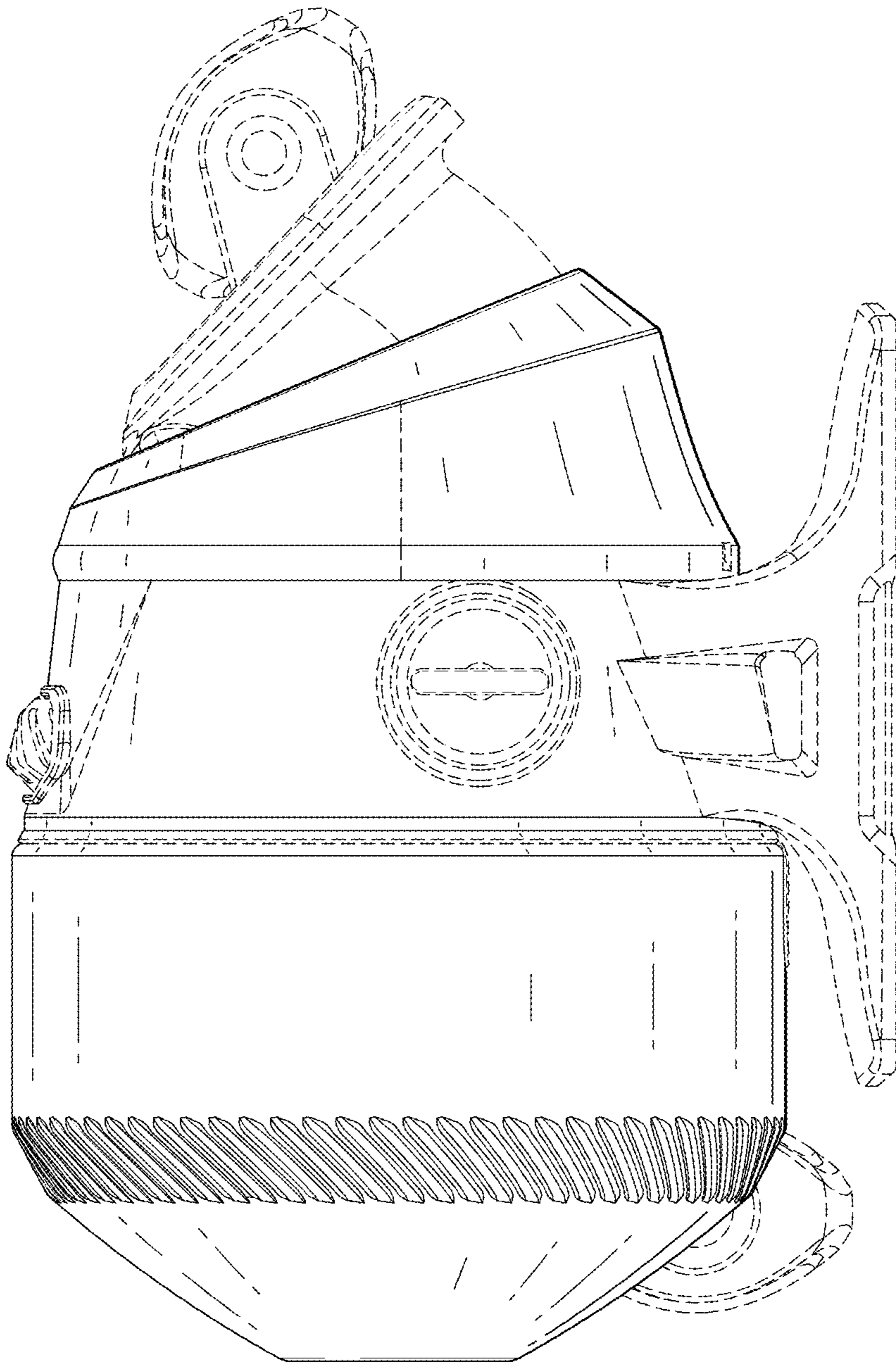


FIG. 5

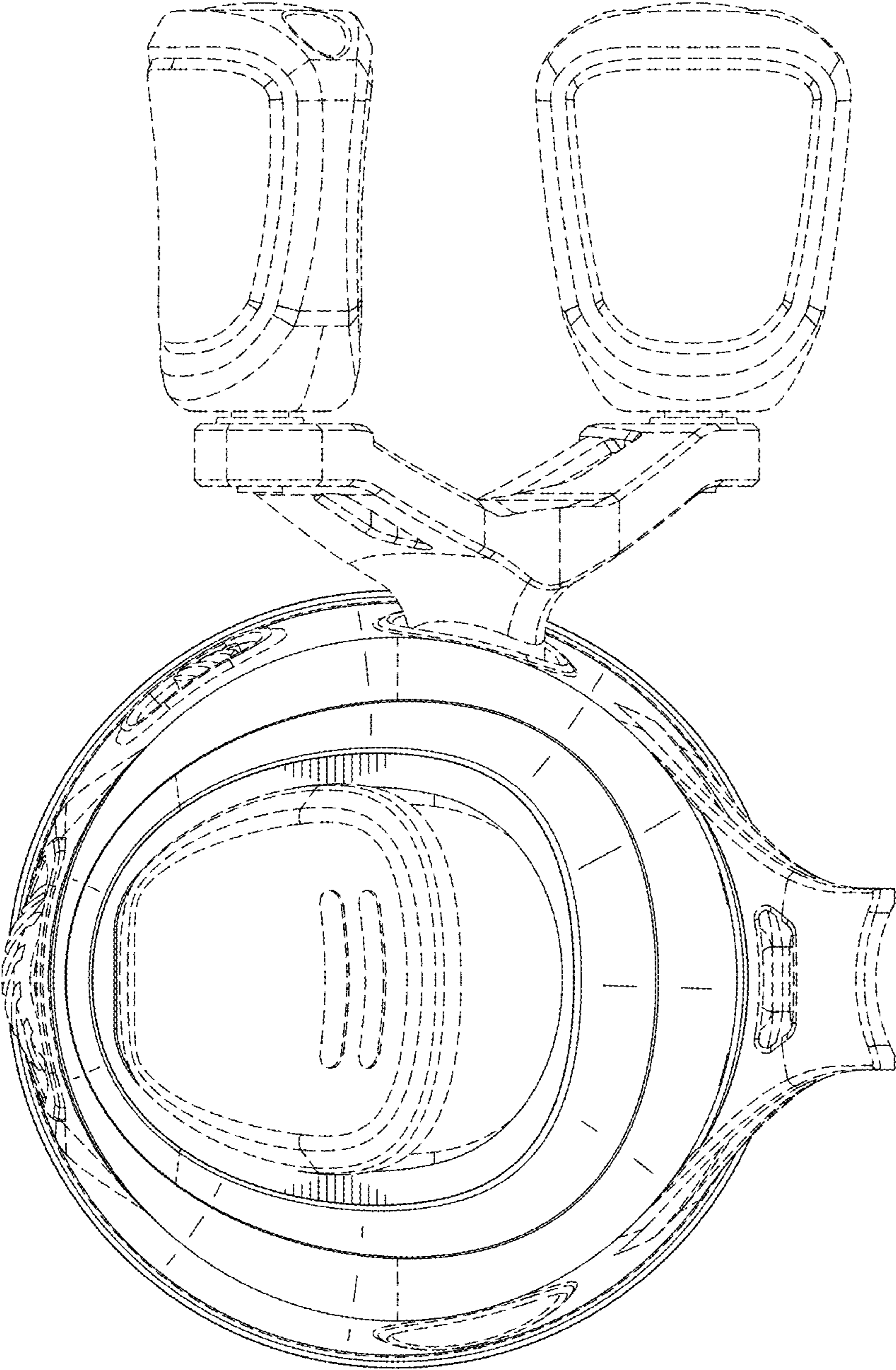


FIG. 6

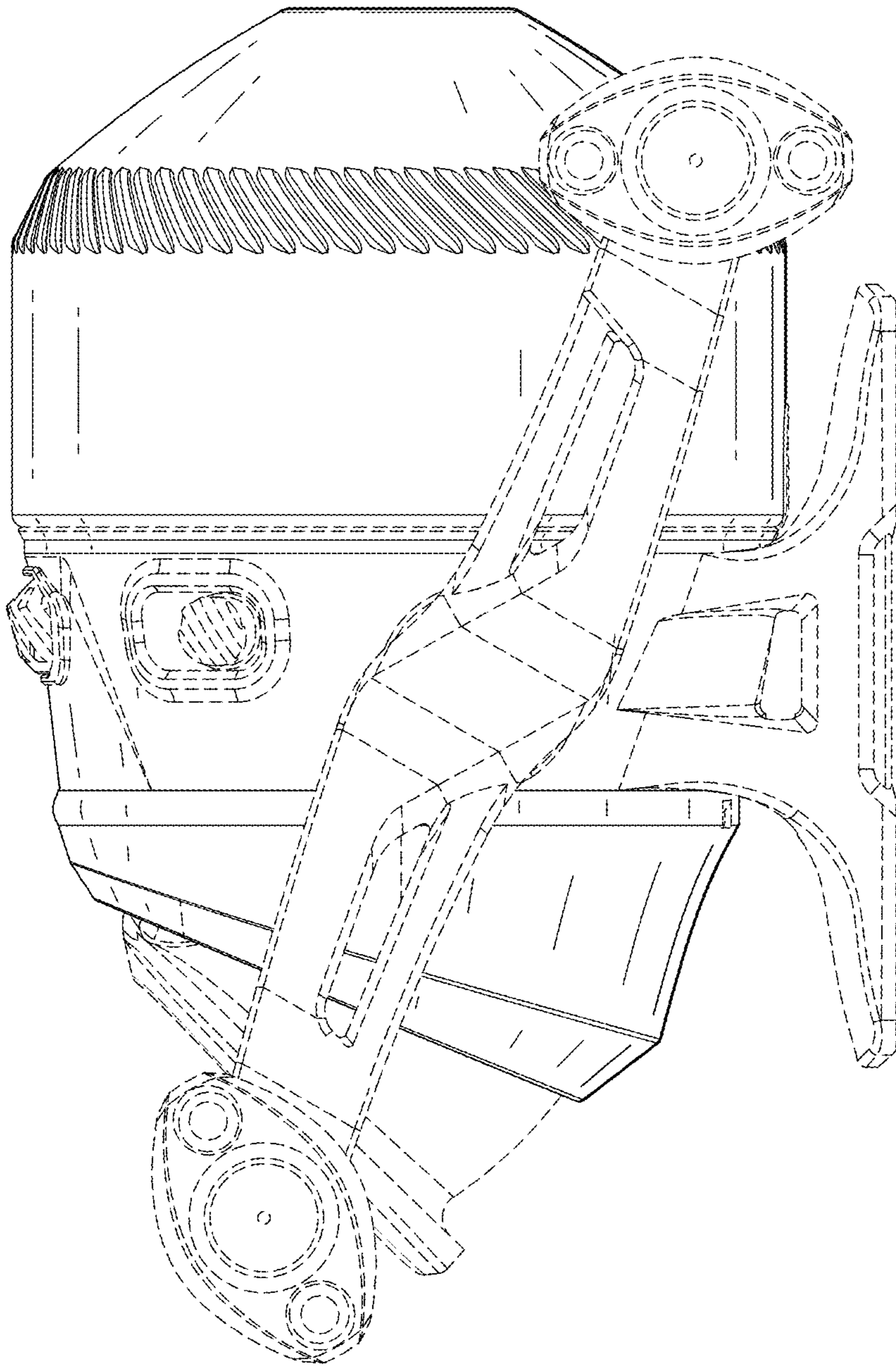


FIG. 7

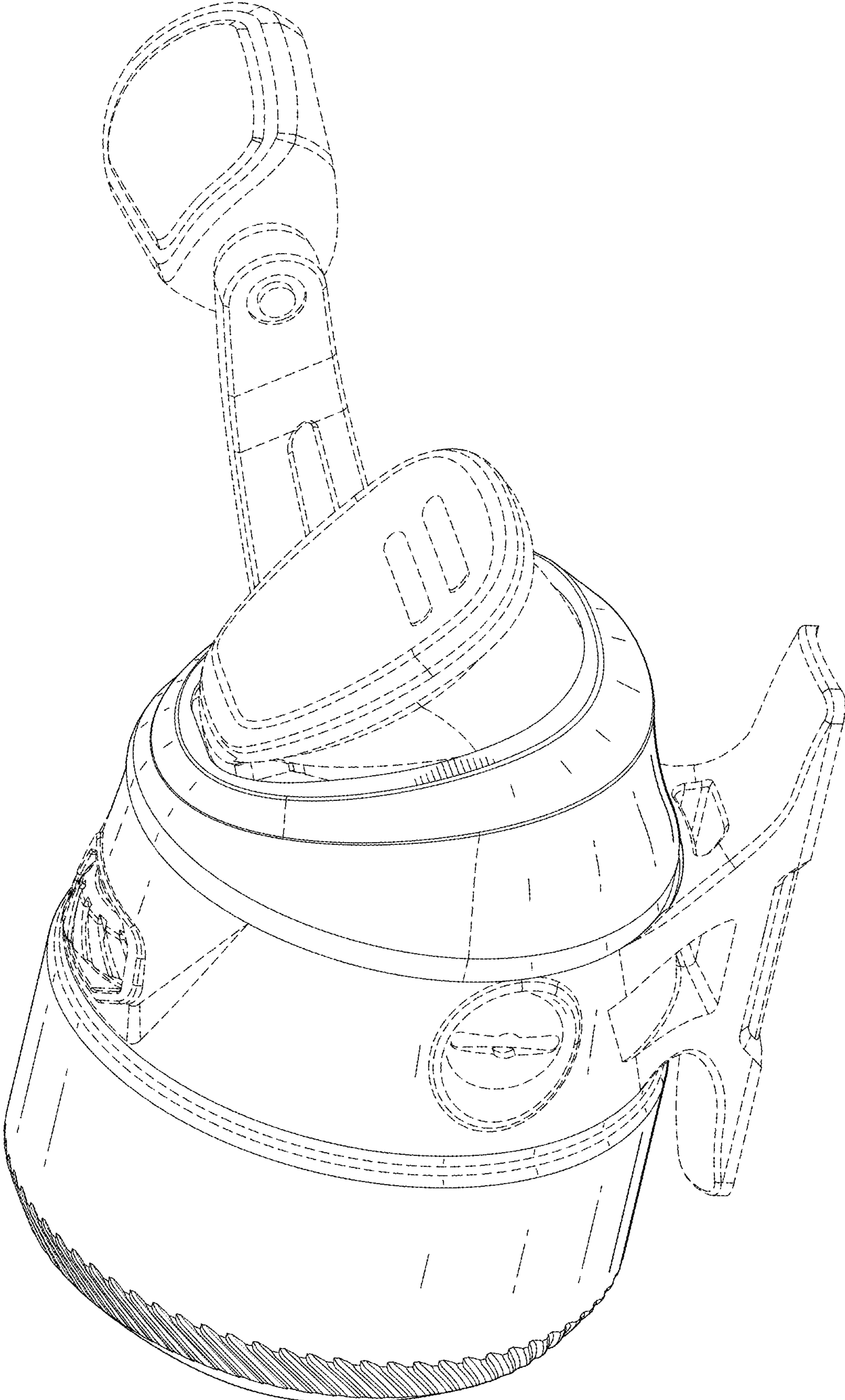


FIG. 8

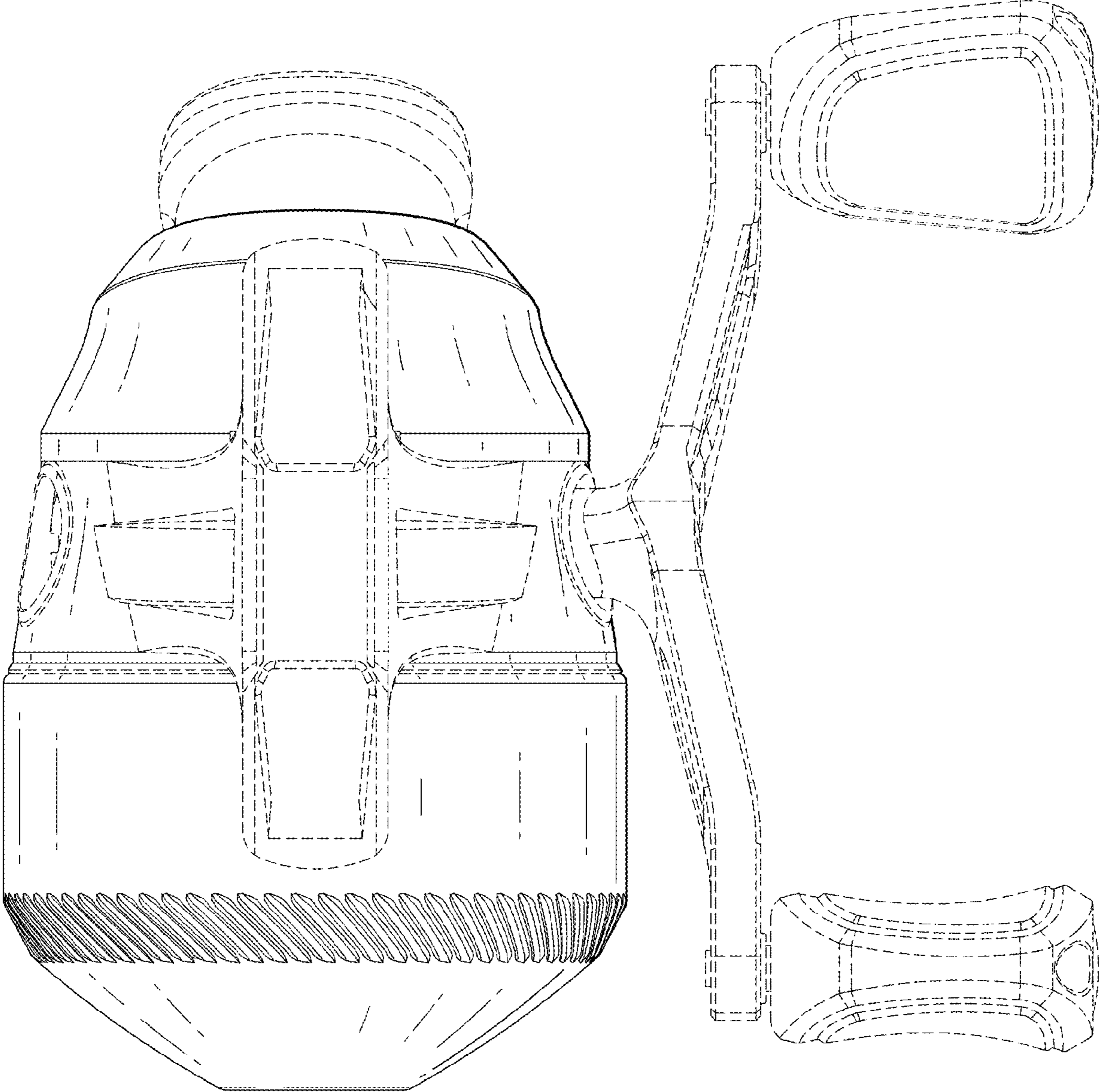


FIG. 9