



US00D891572S

(12) **United States Design Patent** (10) **Patent No.:** **US D891,572 S**
Dollansky et al. (45) **Date of Patent:** **** Jul. 28, 2020**

(54) **OVITRAP SOCKET**

CPC A01M 1/04; A01M 1/103; A01M 1/106;
A01M 1/14; A01M 1/026; A01M 1/2011;
A01M 1/10; A01M 29/12; A01M 29/34

(71) Applicants: **Erich Johann Dollansky**, Wonosobo (ID); **Sumarni N.A.**, Wonosobo (ID); **Timothy Amyas Hartnoll**, Singapore (SG)

See application file for complete search history.

(72) Inventors: **Erich Johann Dollansky**, Wonosobo (ID); **Timothy Amyas Hartnoll**, Singapore (SG); **Sumarni N.A.**, Wonosobo (ID)

(56) **References Cited**

U.S. PATENT DOCUMENTS

(**) Term: **15 Years**

D283,649 S * 4/1986 Casberg D22/122
7,694,456 B1 * 4/2010 Curtis A01M 1/106
43/107
D645,747 S * 9/2011 Yu D9/445
D673,641 S * 1/2013 Robinson D22/122
D694,849 S * 12/2013 Ots D22/122
D829,854 S * 10/2018 Sanford D22/122
D868,391 S * 11/2019 Townsend D30/129

(21) Appl. No.: **35/506,895**

* cited by examiner

(22) Filed: **Feb. 28, 2019**

Primary Examiner — Melanie Pellegrini

(80) **Hague Agreement Data**

Int. Filing Date: **Feb. 28, 2019**
Int. Reg. No.: **DM/201277**
Int. Reg. Date: **Feb. 28, 2019**
Int. Reg. Pub. Date: **Jun. 14, 2019**

(57) **CLAIM**

The ornamental design for an ovitrap socket, as shown and described.

(51) **LOC (12) Cl.** **22-06**

(52) **U.S. Cl.**

USPC **D22/122**

(58) **Field of Classification Search**

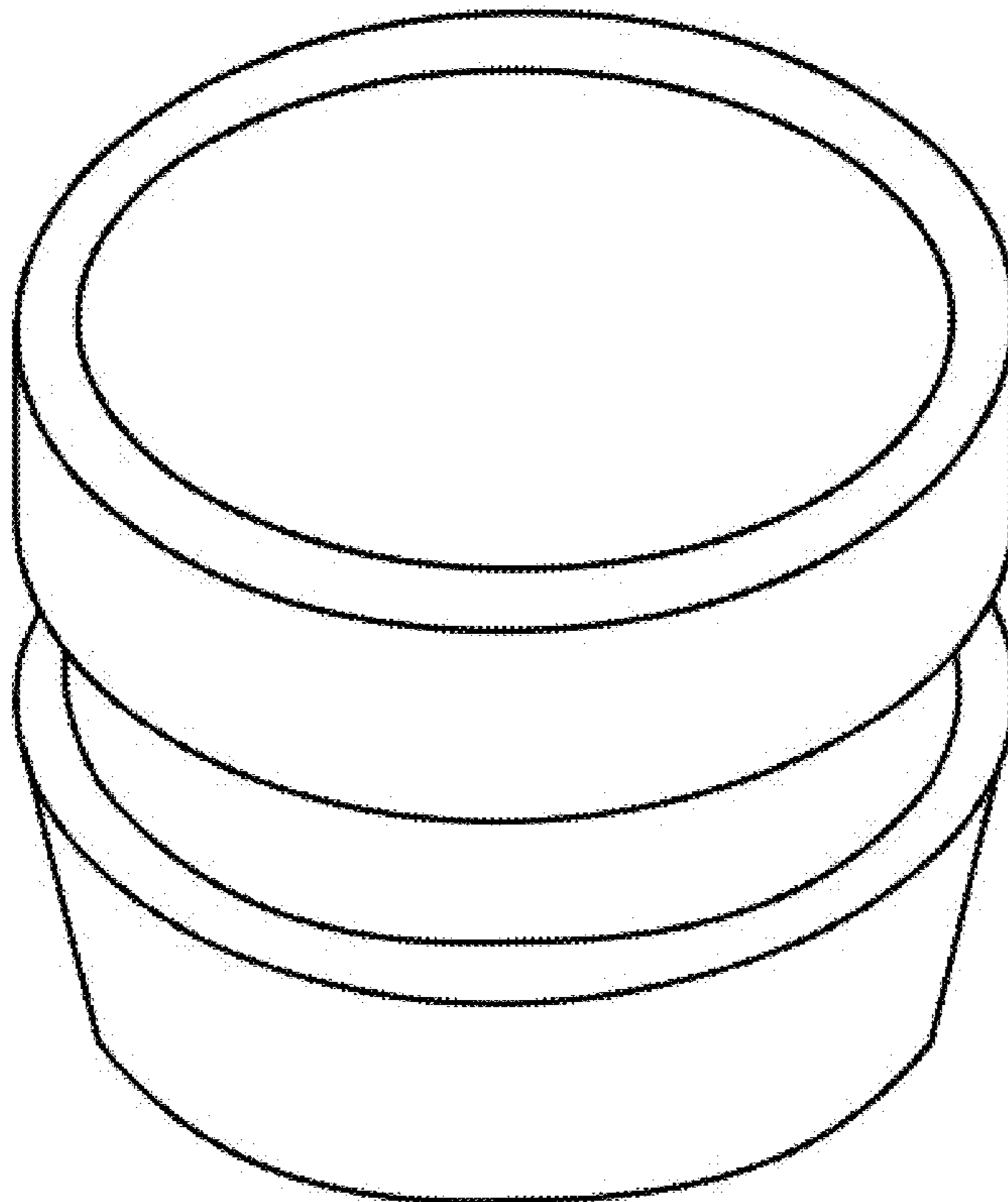
USPC D22/119–124; 43/107, 109, 112, 114,
43/124, 131, 132.1, 139; D9/443, 445,
D9/435, 454, 449, 451, 453, 447;
D30/130

DESCRIPTION

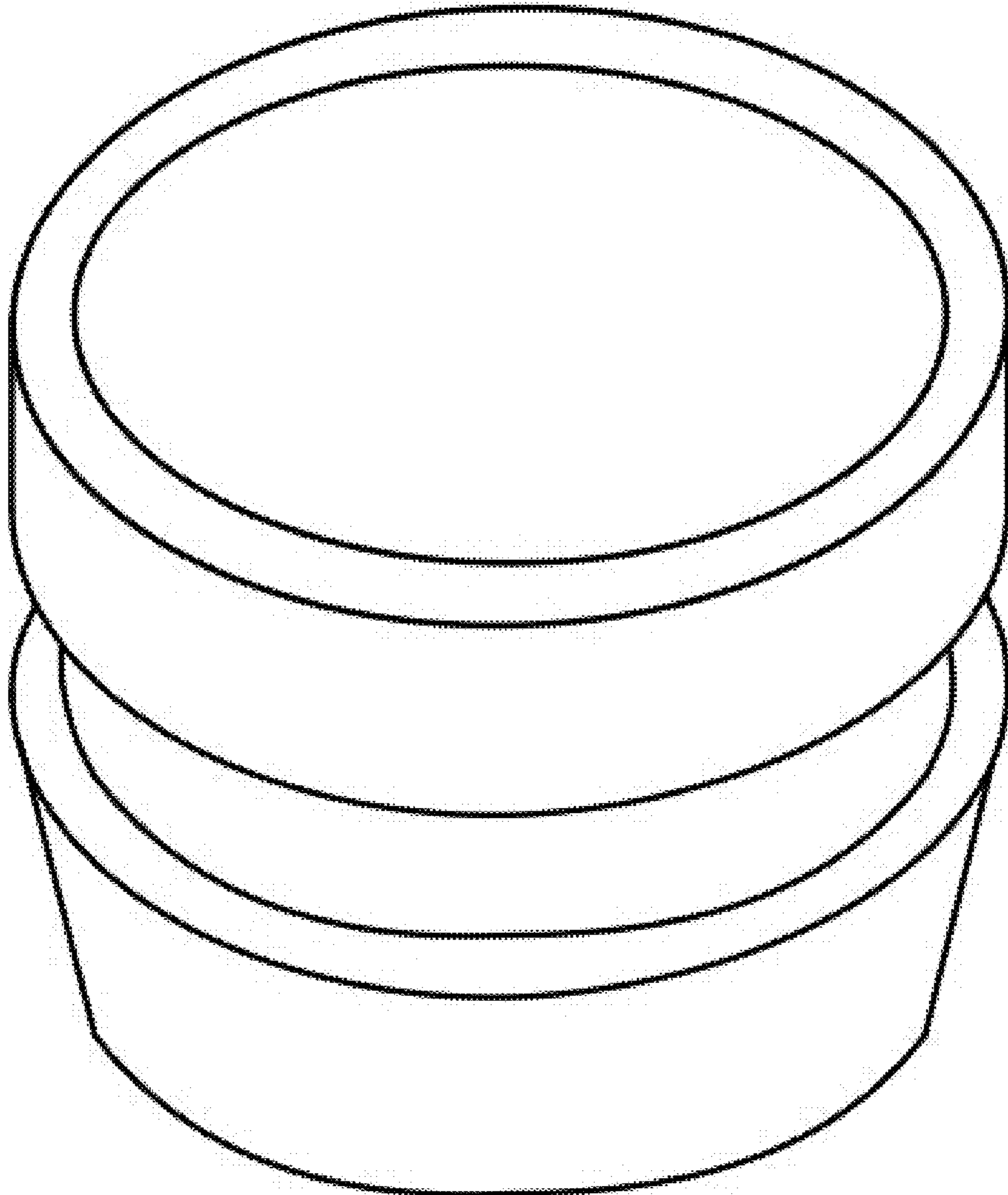
1. Ovitrap socket
- 1.1: perspective
- 1.2: side view
- 1.3: top
- 1.4: bottom

The broken lines shown in the drawings illustrate portions of the ovitrap socket that form no part of the claimed design.

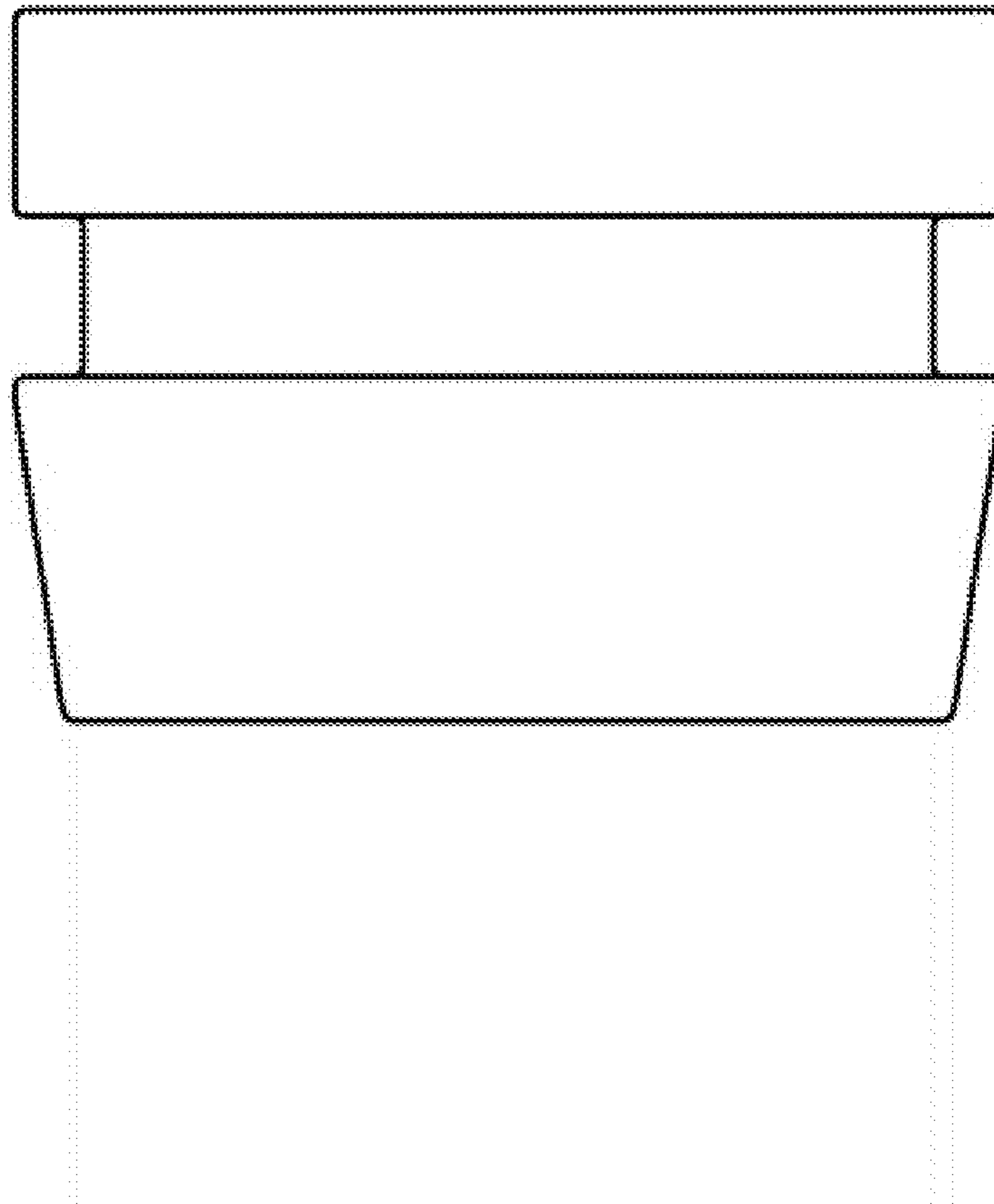
1 Claim, 4 Drawing Sheets



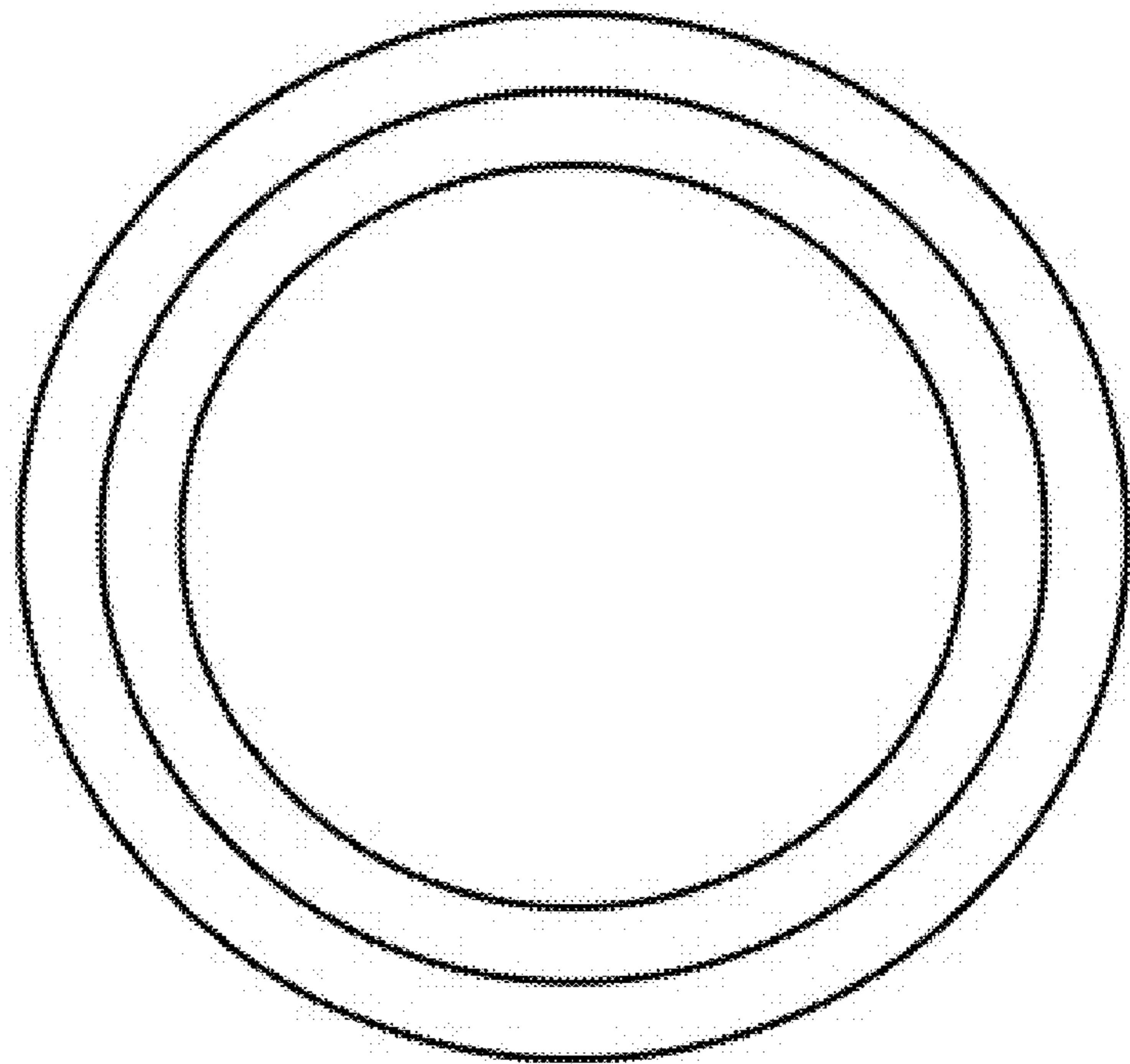
1.1



1.2



1.3



1.4

