



US00D891566S

(12) **United States Design Patent**  
**Brodie et al.**

(10) **Patent No.:** **US D891,566 S**  
(45) **Date of Patent:** **\*\* Jul. 28, 2020**

- (54) **BROADHEAD**
- (71) Applicant: **Annihilator Broadheads, LLC**, Eagle, ID (US)
- (72) Inventors: **Brandon Brodie**, Eagle, ID (US);  
**Micah Brown**, Auburn, CA (US)
- (73) Assignee: **Annihilator Broadheads, LLC**, Eagle, ID (US)
- (\*\*) Term: **15 Years**
- (21) Appl. No.: **29/688,976**
- (22) Filed: **Apr. 25, 2019**
- (51) **LOC (12) Cl.** ..... **22-03**
- (52) **U.S. Cl.**  
USPC ..... **D22/115**
- (58) **Field of Classification Search**  
USPC ..... D22/102, 106, 107, 115, 117, 199;  
D21/387, 567, 570, 571, 746  
CPC .. F42B 6/08; F42B 6/04; F42B 12/362; A61F  
2002/30306; A61F 2230/0097  
See application file for complete search history.

- 5,192,081 A \* 3/1993 Cooper ..... F42B 6/08  
30/304
- D379,210 S \* 5/1997 Hartmann ..... D21/387
- D400,957 S \* 11/1998 Botruff ..... D22/115
- D425,943 S \* 5/2000 Kurtz ..... D21/387
- 6,077,179 A \* 6/2000 Liechty, II ..... F42B 6/08  
473/582
- 7,025,697 B2 \* 4/2006 Mizek ..... F42B 6/08  
473/583

(Continued)

**OTHER PUBLICATIONS**

“Annihilator Broadhead Re-Test” [online]. Lusk Archery Adventures. [Published on Jan. 23, 2020]. Retrieved from the Internet: <<https://www.youtube.com/watch?v=462cDTIh3yM>>.\*

*Primary Examiner* — Khawaja Anwar  
*Assistant Examiner* — Mojtaba Tehrani

(57) **CLAIM**

We claim the ornamental design for a broadhead, as shown and described.

**DESCRIPTION**

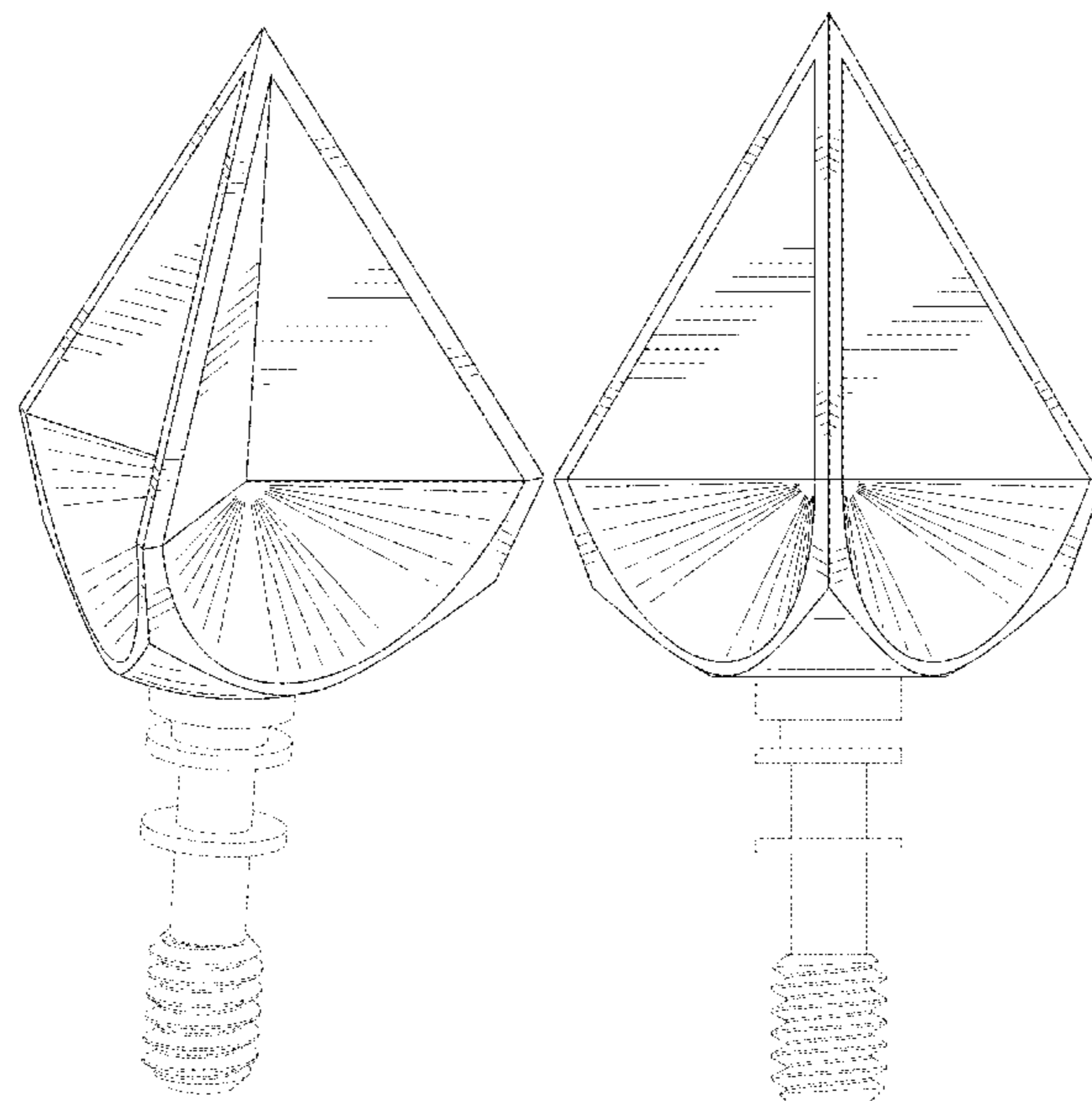
FIG. 1 is a side perspective view of a broadhead, showing our new design;  
FIG. 2 is a side elevation view thereof;  
FIG. 3 is another side elevation view thereof with a rotational offset of approximately 60 degrees from that of FIG. 2;  
FIG. 4 is a right side elevation view thereof with a rotational offset of approximately 30 degrees from that of FIG. 2;  
FIG. 5 is a left side elevation view thereof with a rotational offset of approximately 90 degrees from that of FIG. 2;  
FIG. 6 is a top plan view thereof; and,  
FIG. 7 is a bottom plan view thereof.  
The broken lines shown represent unclaimed subject matter and form no part of the claimed design.

**1 Claim, 6 Drawing Sheets**

(56) **References Cited**

**U.S. PATENT DOCUMENTS**

- 2,467,838 A \* 4/1949 Lust ..... F42B 6/04  
473/581
- 2,873,973 A \* 2/1959 Hauch ..... F42B 6/08  
473/583
- 2,880,000 A \* 3/1959 Unger ..... F42B 6/08  
473/584
- 4,341,391 A \* 7/1982 Anderson ..... F42B 6/08  
30/337
- 4,565,377 A \* 1/1986 Troncoso, Jr. .... F42B 6/04  
473/584
- D310,553 S \* 9/1990 Kania ..... D22/115
- 5,064,202 A \* 11/1991 Barner ..... F42B 6/08  
473/583



(56)

**References Cited**

U.S. PATENT DOCUMENTS

7,037,222 B2 \* 5/2006 Mizek ..... F42B 6/08  
473/583  
7,434,684 B1 \* 10/2008 Mabra ..... F41B 5/14  
206/315.11  
D630,700 S \* 1/2011 Fanizzi ..... D22/107  
D630,701 S \* 1/2011 Fanizzi ..... D22/107  
7,905,795 B1 \* 3/2011 Nuno ..... F42B 6/08  
473/253  
8,496,549 B2 \* 7/2013 Couture ..... F42B 6/08  
473/583  
8,512,178 B2 \* 8/2013 Peetz ..... F42B 6/08  
473/583  
D750,723 S \* 3/2016 Rager ..... D22/107  
9,410,774 B1 \* 8/2016 Gallo ..... F42B 6/04  
9,423,504 B1 \* 8/2016 Gossett ..... G01S 19/19  
D844,090 S \* 3/2019 Dahl, II ..... D22/107  
D847,937 S \* 5/2019 Isringhausen ..... D22/115  
2010/0248871 A1 \* 9/2010 Nick ..... F42B 12/385  
473/570

\* cited by examiner

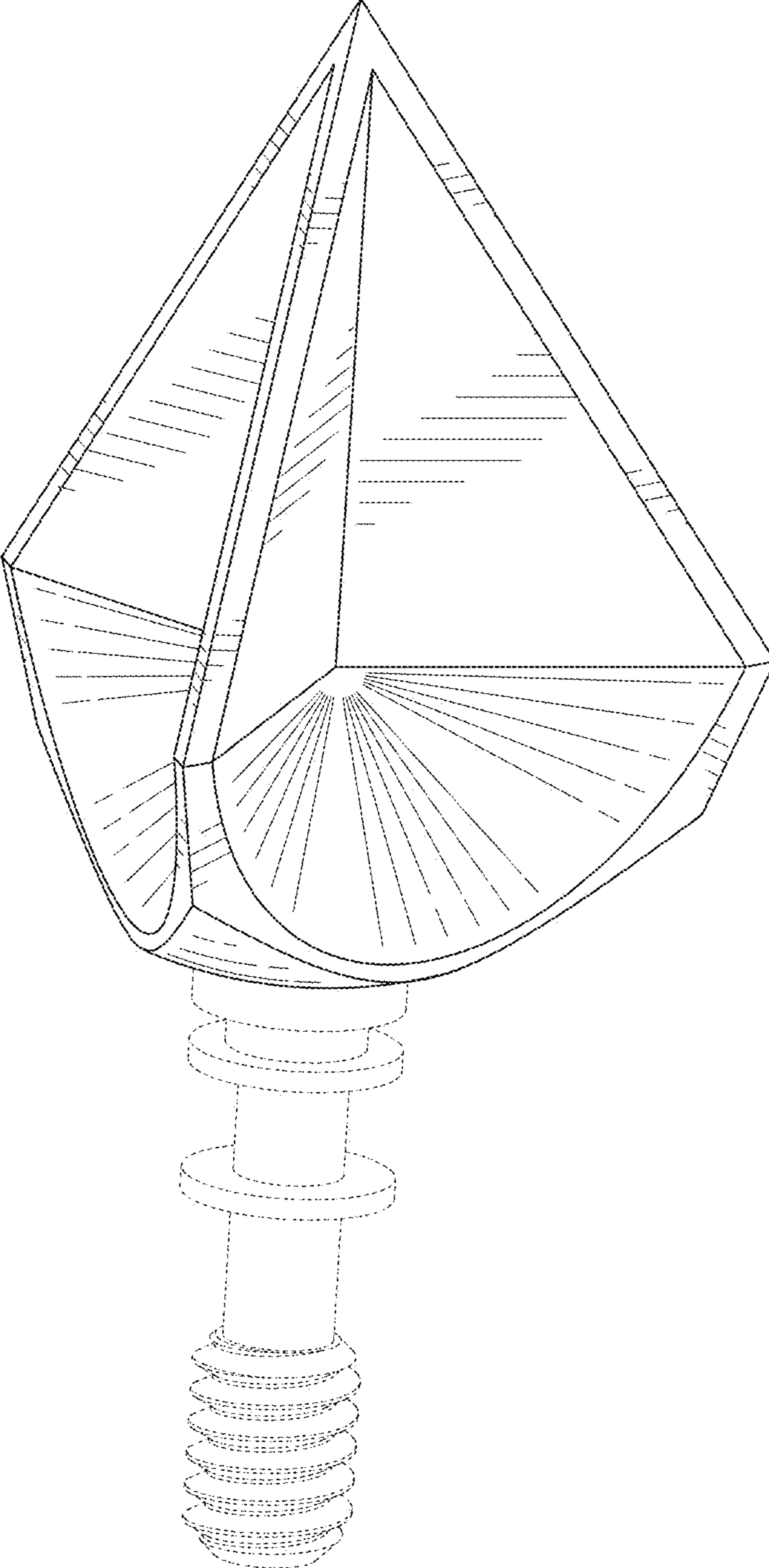


FIG. 1

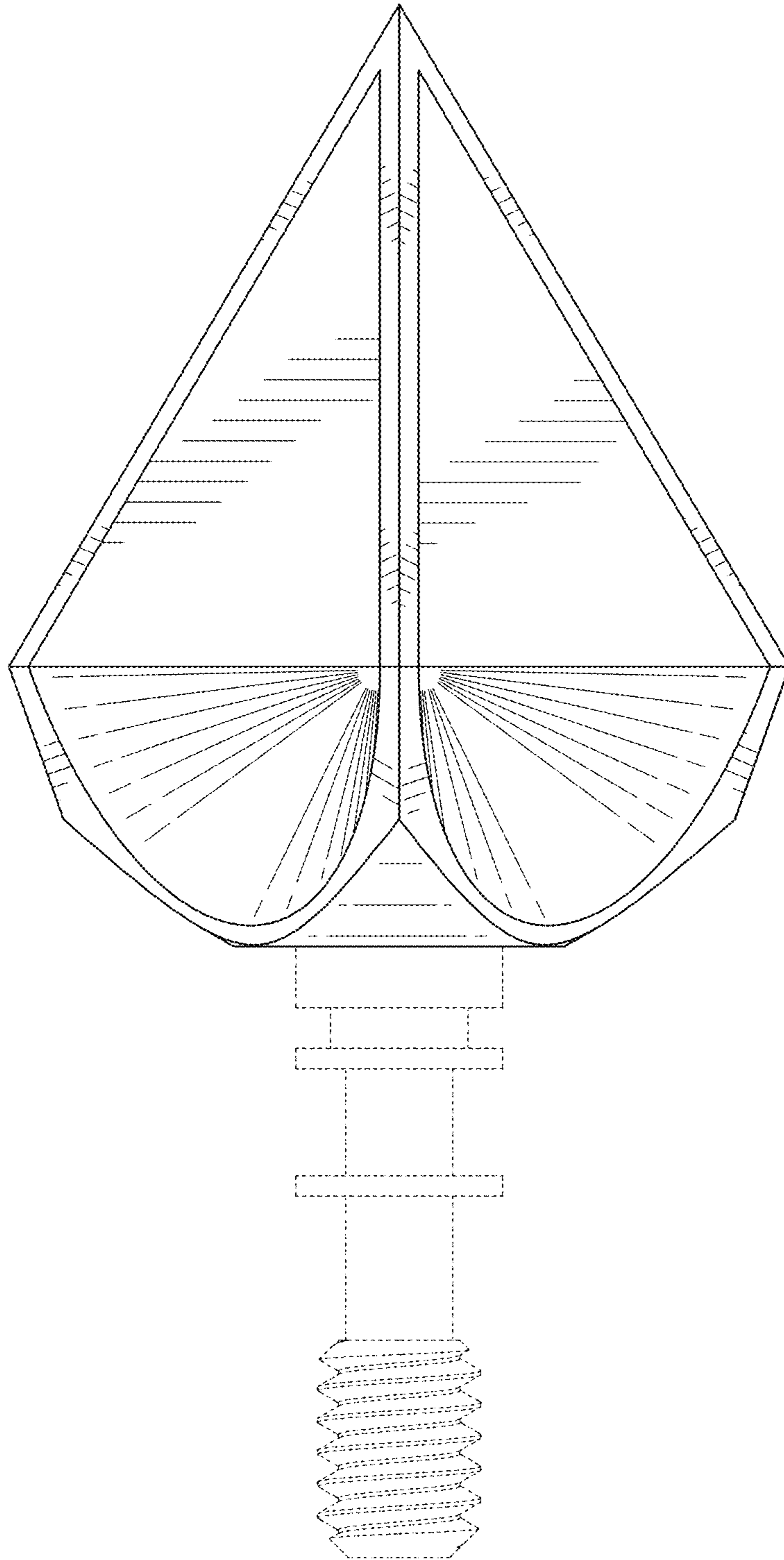


FIG. 2

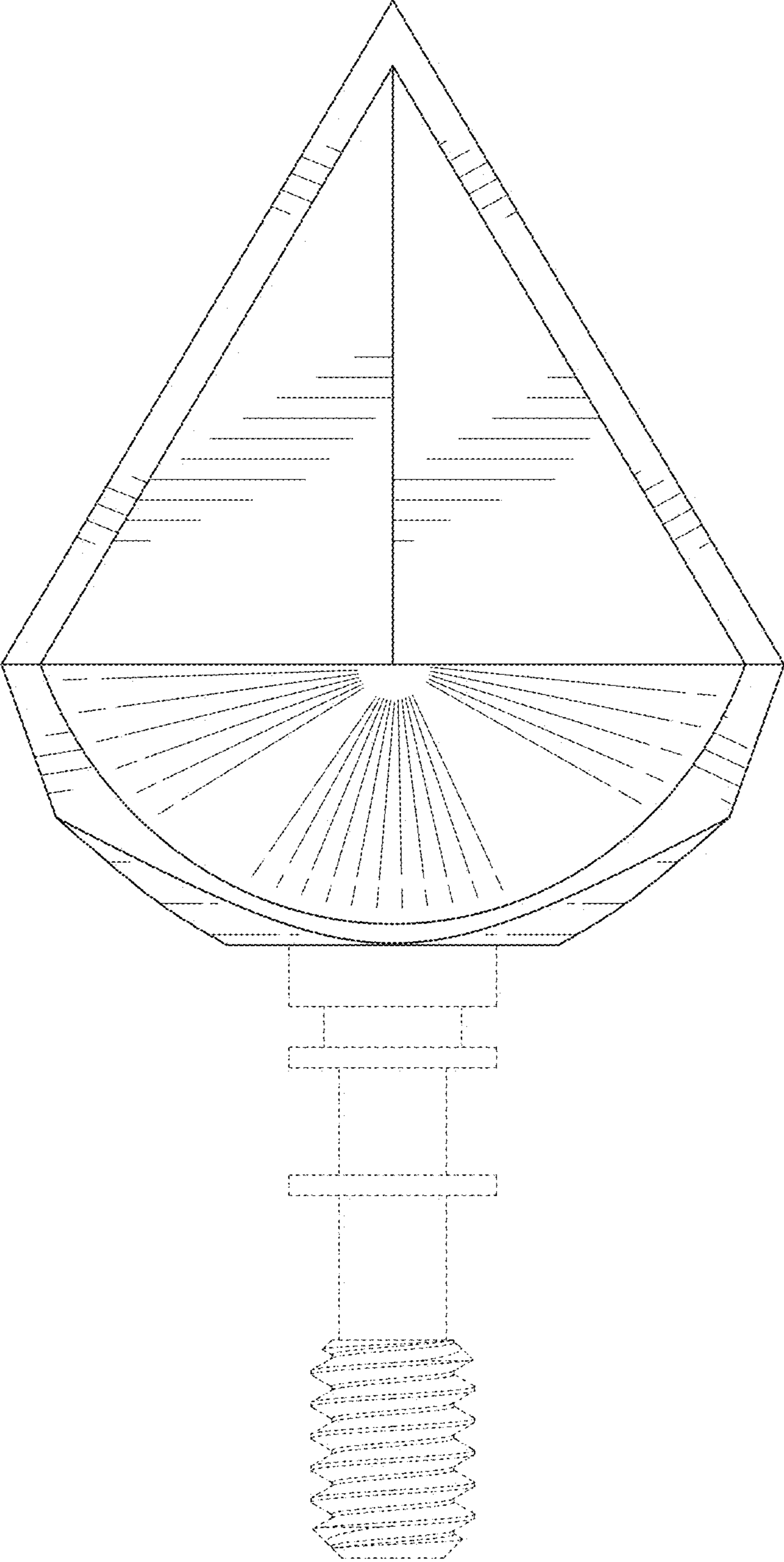


FIG. 3

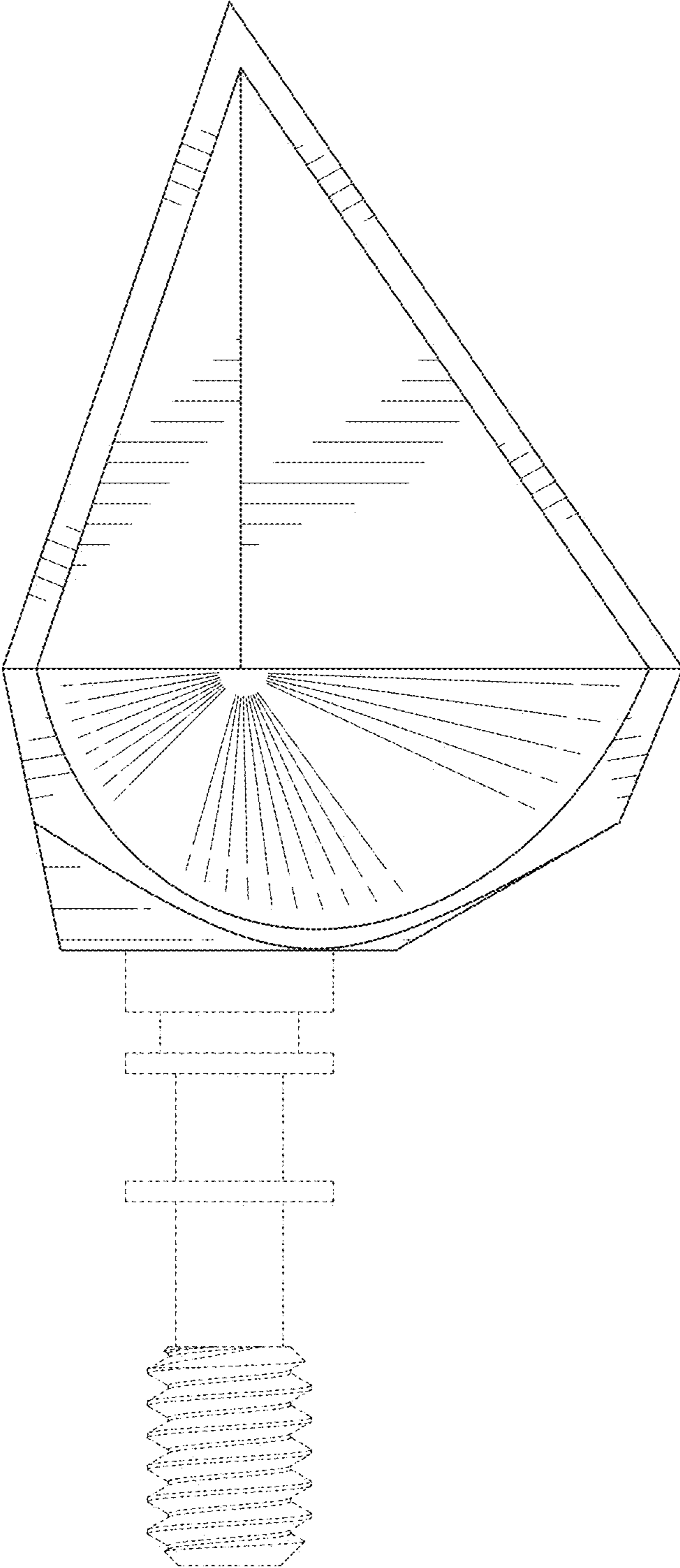


FIG. 4

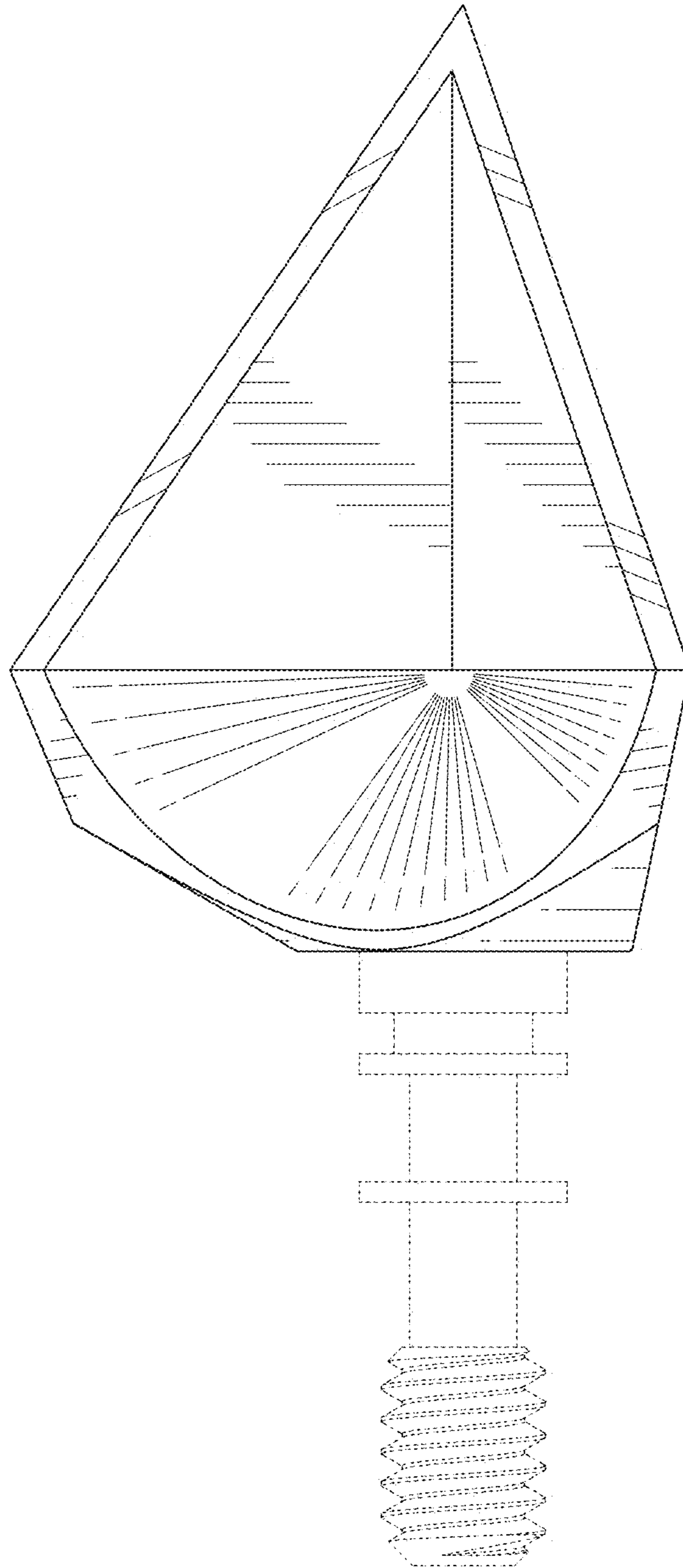


FIG. 5

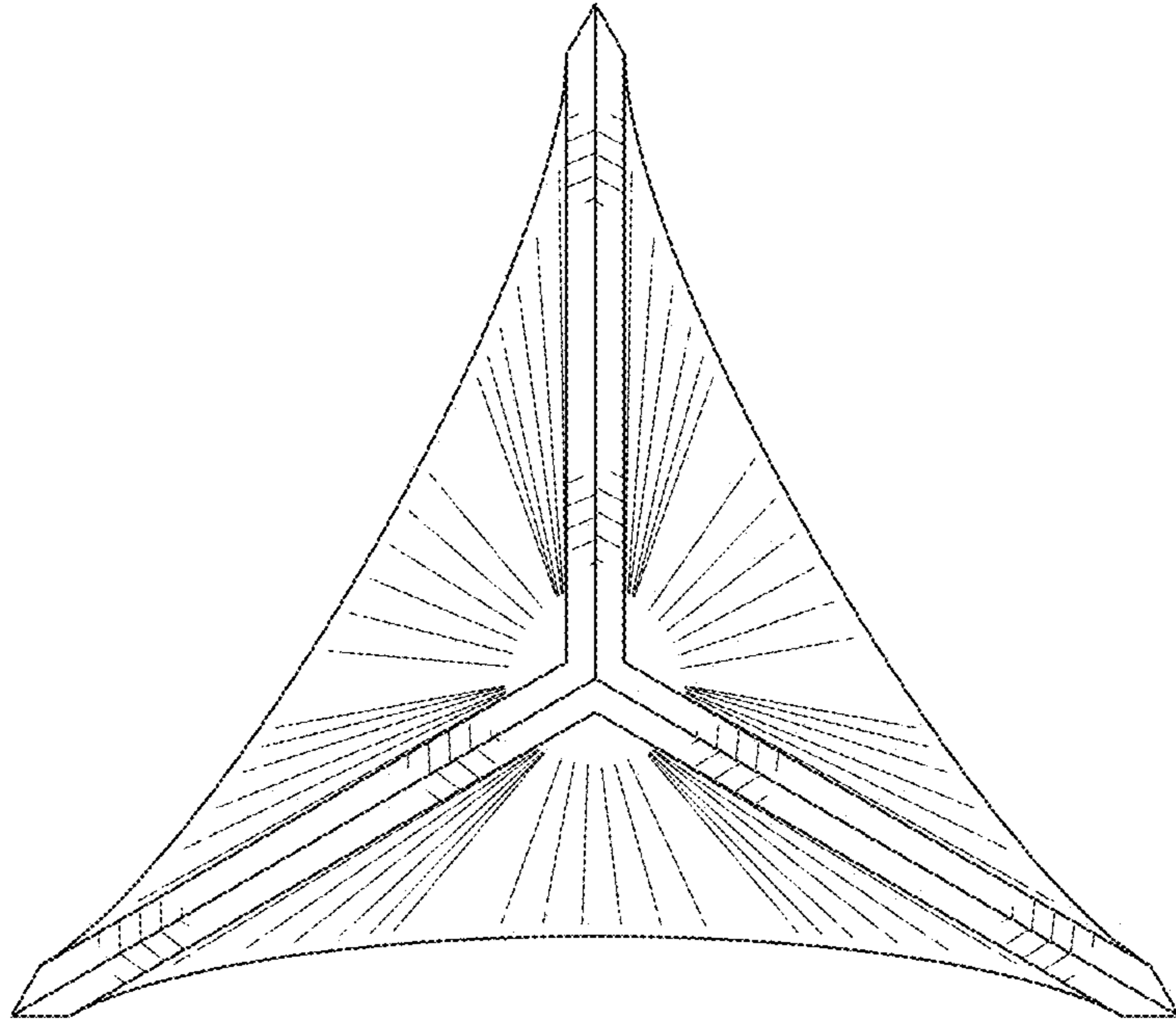


FIG. 6

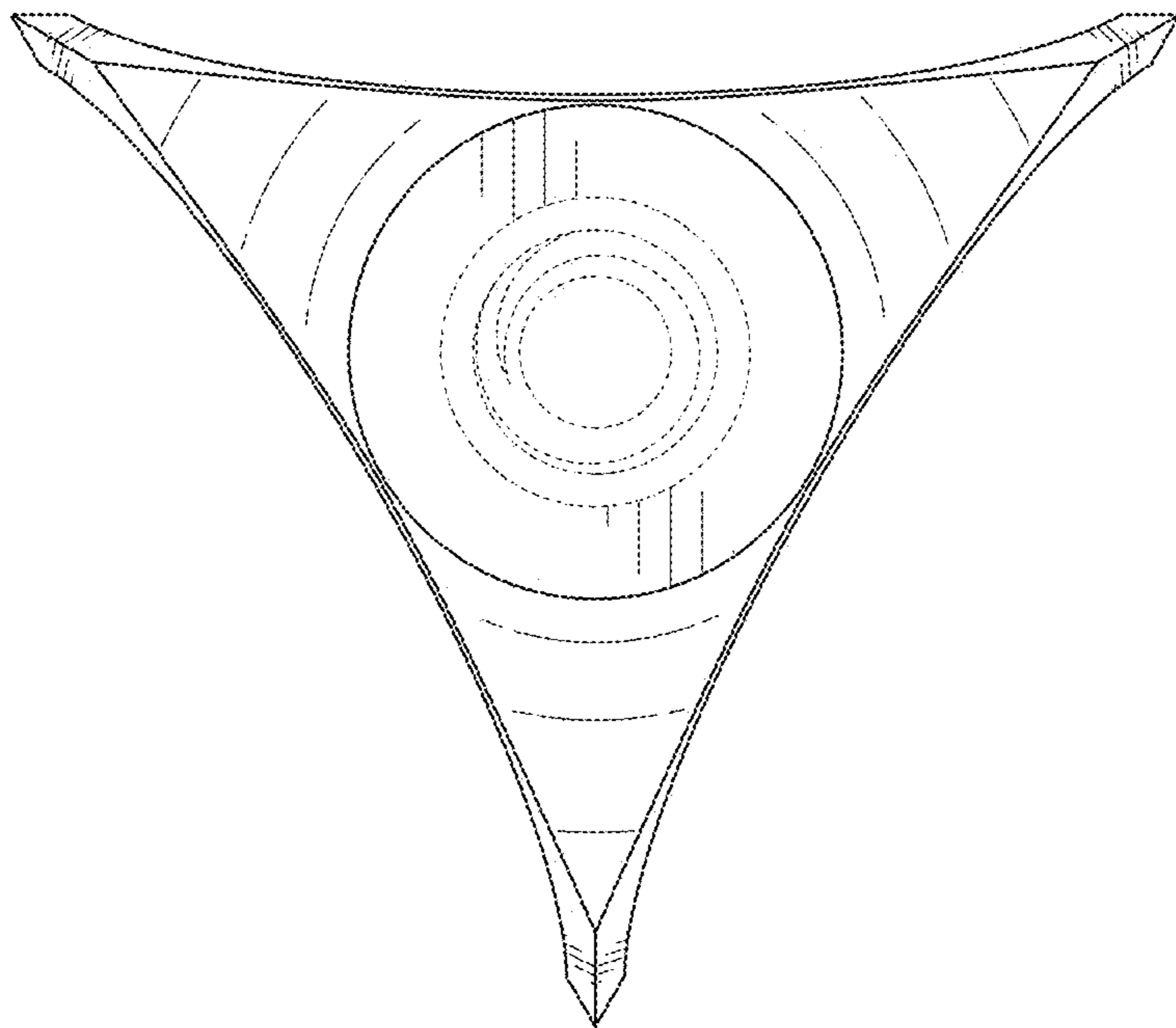


FIG. 7