



US00D891564S

(12) **United States Design Patent**  
**Stoner**

(10) **Patent No.:** **US D891,564 S**  
(45) **Date of Patent:** **\*\* Jul. 28, 2020**

(54) **CARTRIDGE HOLDER**  
(71) Applicant: **Matt Stoner**, Tucson, AZ (US)  
(72) Inventor: **Matt Stoner**, Tucson, AZ (US)  
(\*\*) Term: **15 Years**

4,869,009 A 9/1989 Bennett  
D351,449 S 10/1994 Dagley  
D361,366 S 8/1995 Emerson  
(Continued)

(21) Appl. No.: **29/684,386**  
(22) Filed: **Mar. 20, 2019**  
(51) **LOC (12) Cl.** ..... **22-01**  
(52) **U.S. Cl.**  
USPC ..... **D22/108**  
(58) **Field of Classification Search**  
USPC ..... D22/108  
CPC ..... Y10S 224/931; Y10S 224/913  
See application file for complete search history.

**OTHER PUBLICATIONS**

2 Shot Precision Rifle Cartridge Holder, 2 Pack, BrownCoatTactical.com, [online], [site visited Jul. 23, 2018]. <URL: https://www.browncoattactical.com/product-p/prs.htm> (Year: 2018).  
(Continued)

*Primary Examiner* — Michael A. Pratt  
(74) *Attorney, Agent, or Firm* — Quarles & Brady LLP; Yakov Sidorin

(56) **References Cited**

**U.S. PATENT DOCUMENTS**

- 1,781,816 A \* 11/1930 Jovino ..... F42B 39/02  
224/223
- 2,215,726 A \* 9/1940 Masterton-Smith ..... F41A 9/85  
42/89
- 2,889,974 A \* 6/1959 Sauvago ..... F42B 39/26  
206/3
- 2,995,280 A 8/1961 Thierry
- 3,252,238 A 5/1966 Bye
- 3,503,150 A 3/1970 Brunhuber et al.
- 3,538,636 A 11/1970 Roth
- 3,702,671 A \* 11/1972 Cirillo ..... F42B 39/02  
224/242
- 3,722,125 A 3/1973 Switzer
- 3,744,170 A 7/1973 Jensen
- 3,822,783 A 7/1974 Mortensen
- 3,917,135 A 11/1975 Christensen
- 3,921,326 A 11/1975 Hupp et al.
- 4,535,558 A 8/1985 Benesh
- 4,657,132 A 4/1987 Abdo
- 4,773,576 A \* 9/1988 Moravek ..... F41C 23/22  
224/191
- 4,860,478 A \* 8/1989 Clayton ..... F42B 39/02  
42/71.01

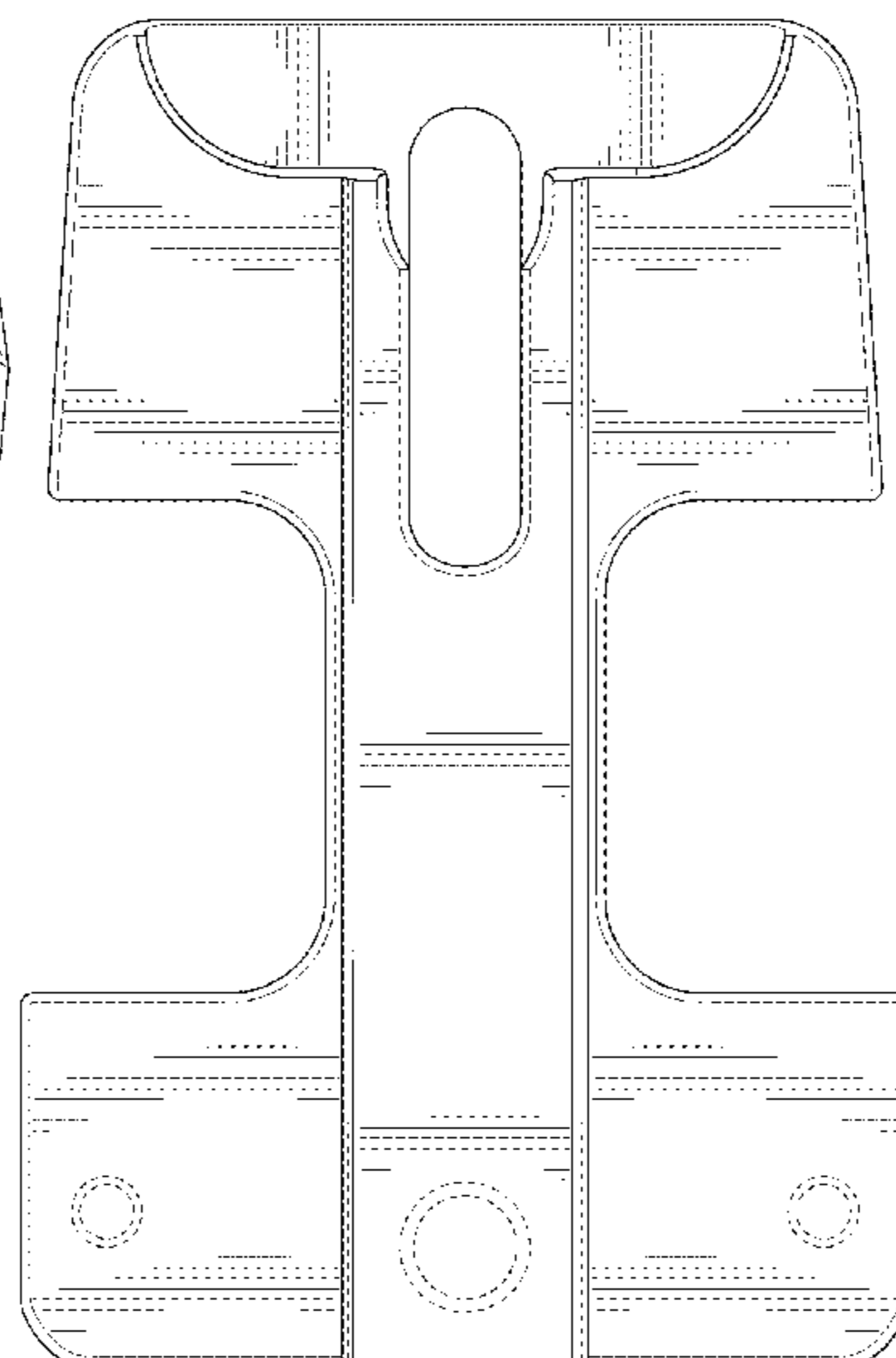
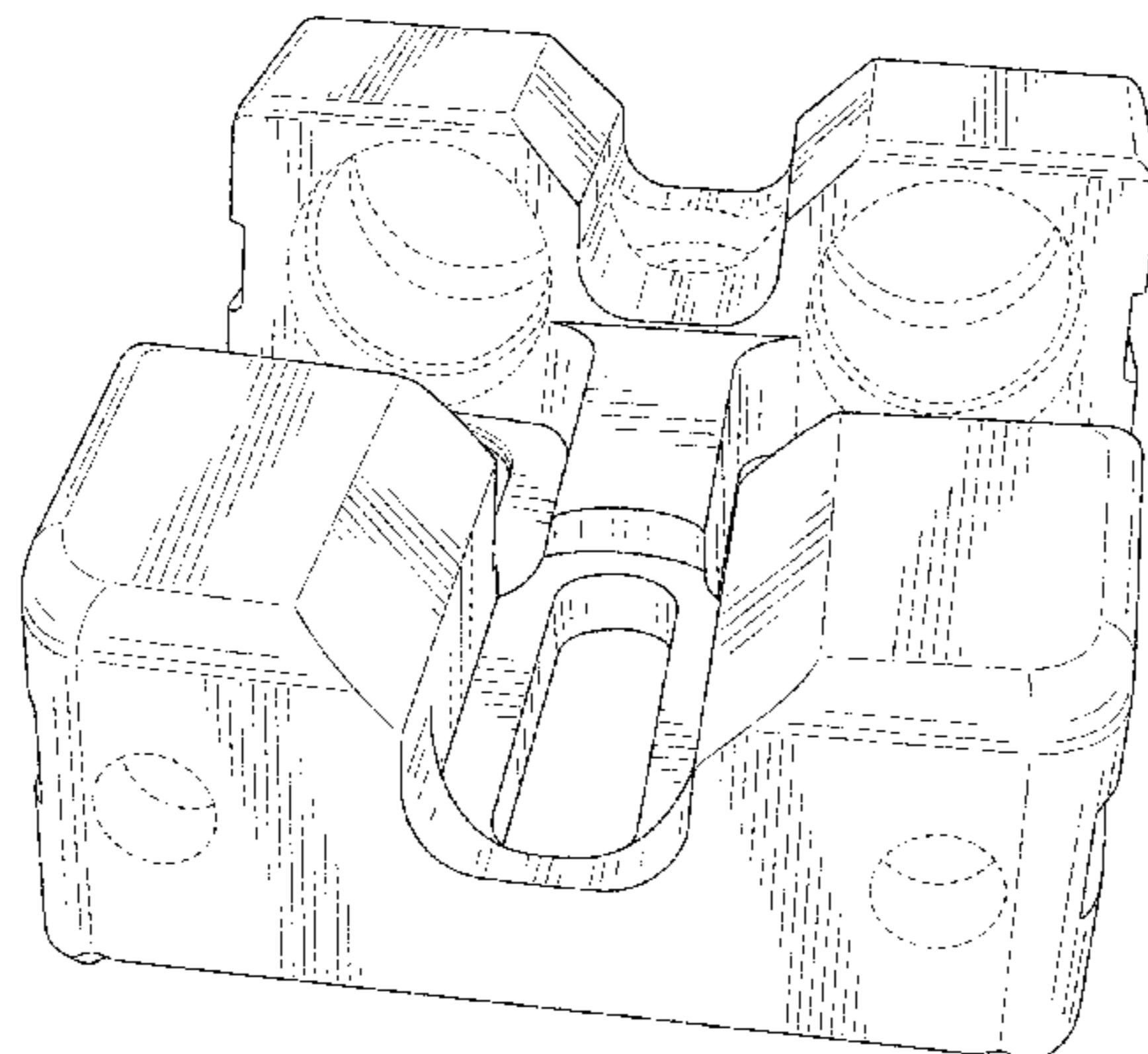
(57) **CLAIM**

The ornamental design for a cartridge holder, as shown and described.

**DESCRIPTION**

FIG. 1 is a perspective view of an embodiment the design. FIG. 2 is a front elevational view of the embodiment of the design shown in FIG. 1. FIG. 3 is a back elevational view of the embodiment of the design shown in FIG. 1. FIG. 4 is a left elevational view of the embodiment of the design shown in FIG. 1. FIG. 5 is a right elevational view of the embodiment of the design shown in FIG. 1. FIG. 6 is a top view of the embodiment of the design shown in FIG. 1; and, FIG. 7 is a bottom view of the embodiment of the design shown in FIG. 1. The broken lines are included for illustrative purposes only and form no part of the claimed design.

**1 Claim, 5 Drawing Sheets**



(56)

**References Cited**

U.S. PATENT DOCUMENTS

5,924,613 A 7/1999 Johnson et al.  
D432,618 S 10/2000 Wilson  
D435,625 S 12/2000 Ling, Jr.  
D447,206 S 8/2001 Ling, Jr.  
D492,747 S 7/2004 LoRocco  
8,931,633 B2 1/2015 Martin, III  
D730,475 S 5/2015 Iannello et al.  
D753,260 S 4/2016 Solovov, Jr. et al.  
D754,276 S 4/2016 Runell et al.  
D760,863 S 7/2016 Wallgren  
D763,599 S 8/2016 Vinson  
9,651,347 B2 5/2017 Rodriguez et al.  
9,733,053 B2 8/2017 Olroyd  
D801,467 S 10/2017 Rogers et al.  
9,810,514 B2 11/2017 Hofer et al.  
2014/0124387 A1 5/2014 Iannello et al.

OTHER PUBLICATIONS

Quick Draw Cartridge Holder Kit—Includes 3 Sizes to fit all ctgs, Eabco.net, [online], [site visited Jul. 23, 2018]. <URL: [https://www.eabco.net/Quick-Draw-Cartridge-Holder-Kit-Includes-3-Sizes-to-fit-all-ctgs\\_p\\_15074.html](https://www.eabco.net/Quick-Draw-Cartridge-Holder-Kit-Includes-3-Sizes-to-fit-all-ctgs_p_15074.html)> (Year: 2018).

Cartridge Holders, Znikiz.com Jan. 14, 2016, [online], [site visited Jul. 23, 2018]. <URL: <https://znikiz.com/blogs/news/85475523-cartridge-holders>> (Year: 2018).

\* cited by examiner

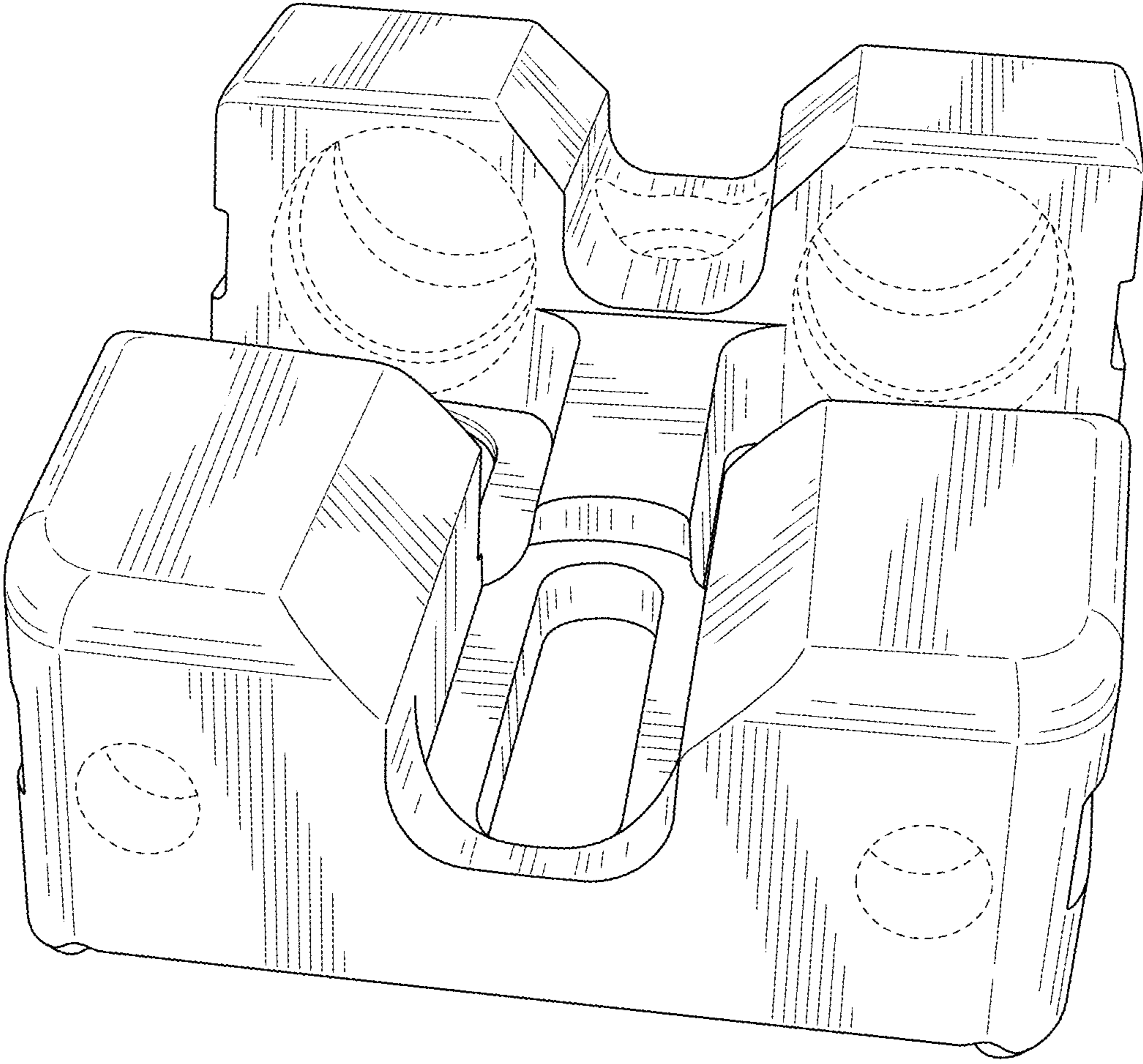
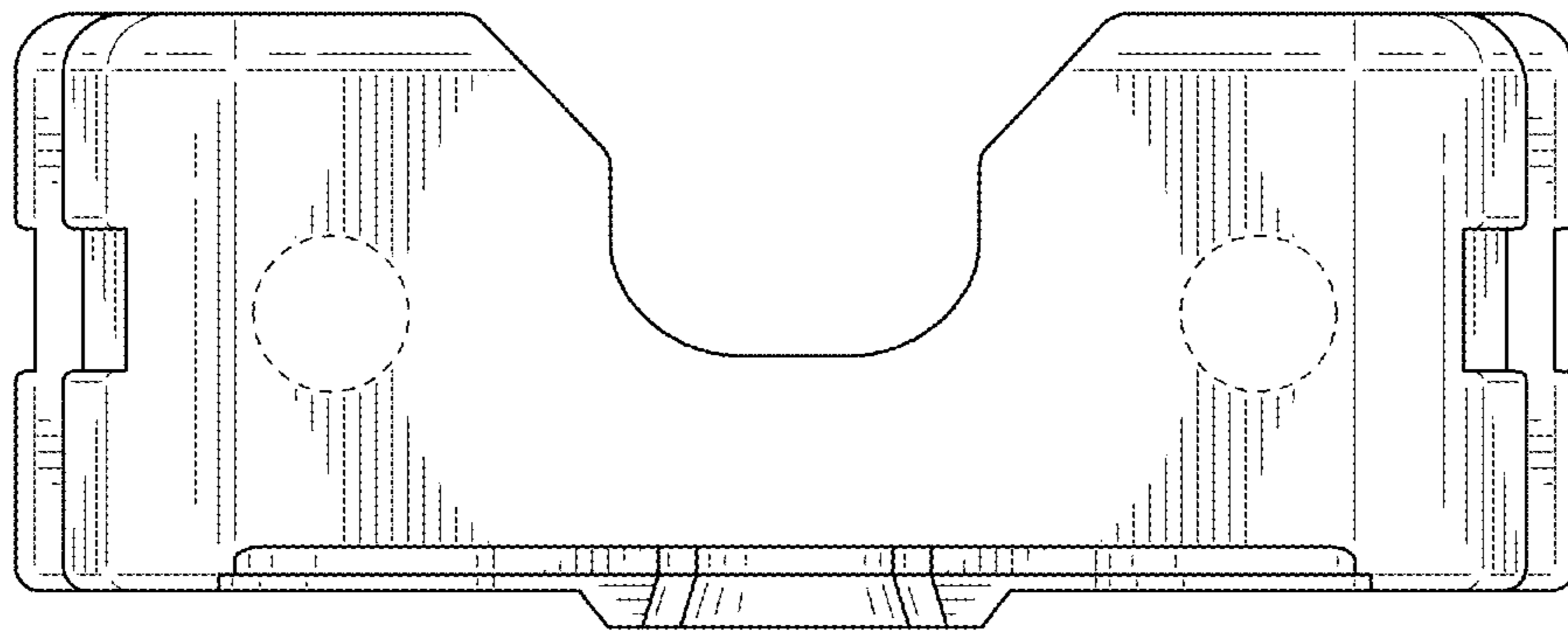
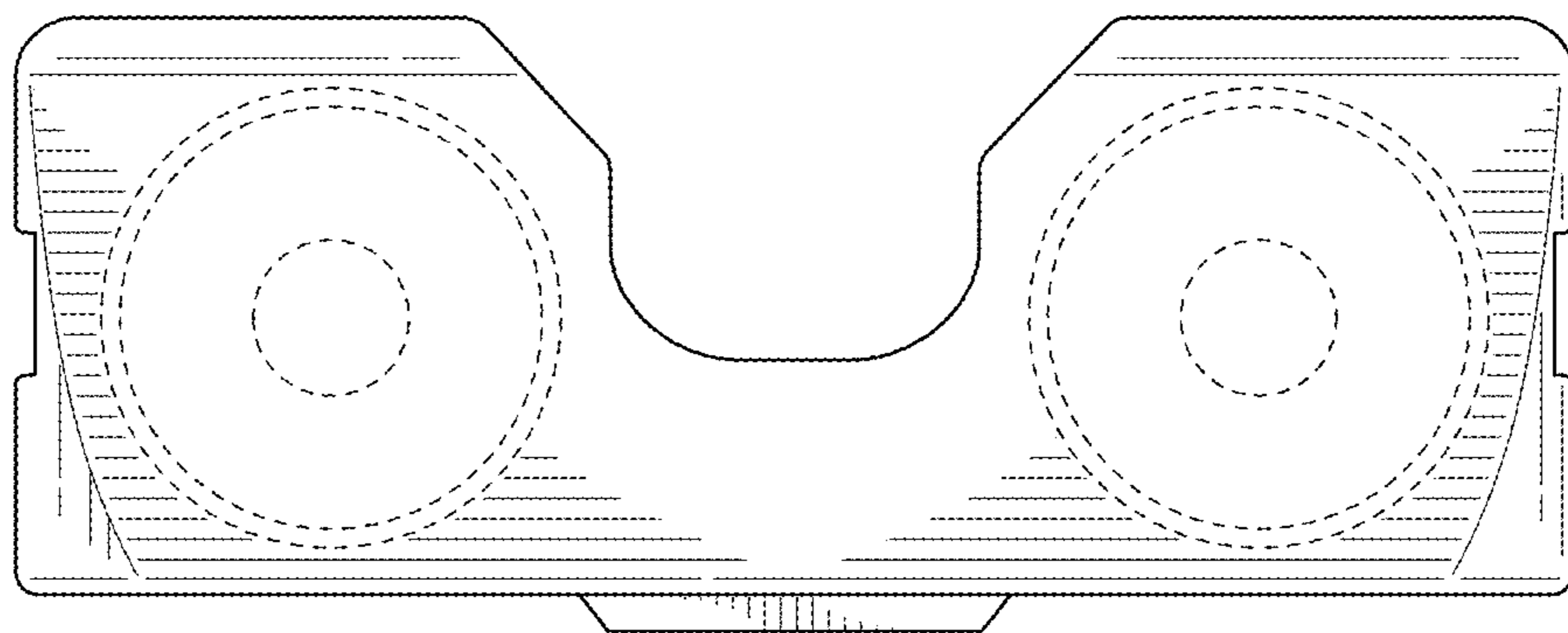


FIG. 1



**FIG. 2**



**FIG. 3**

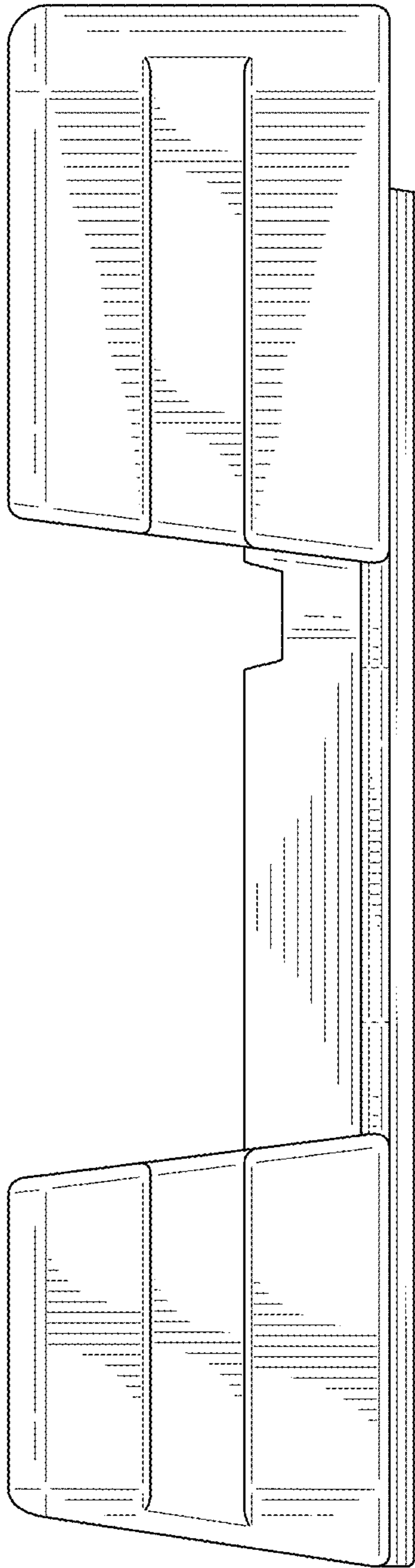


FIG. 4

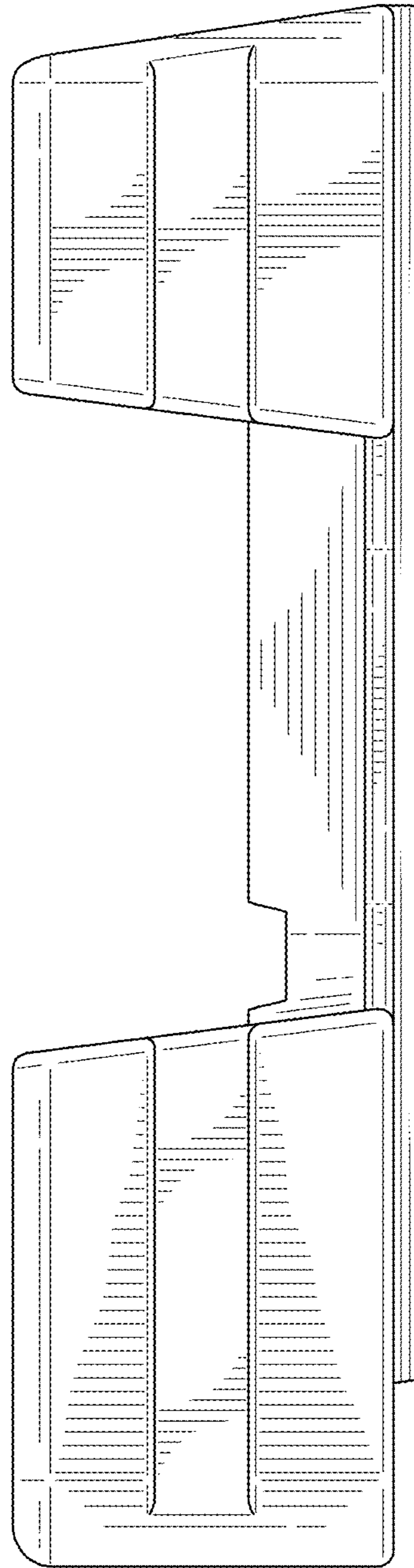


FIG. 5

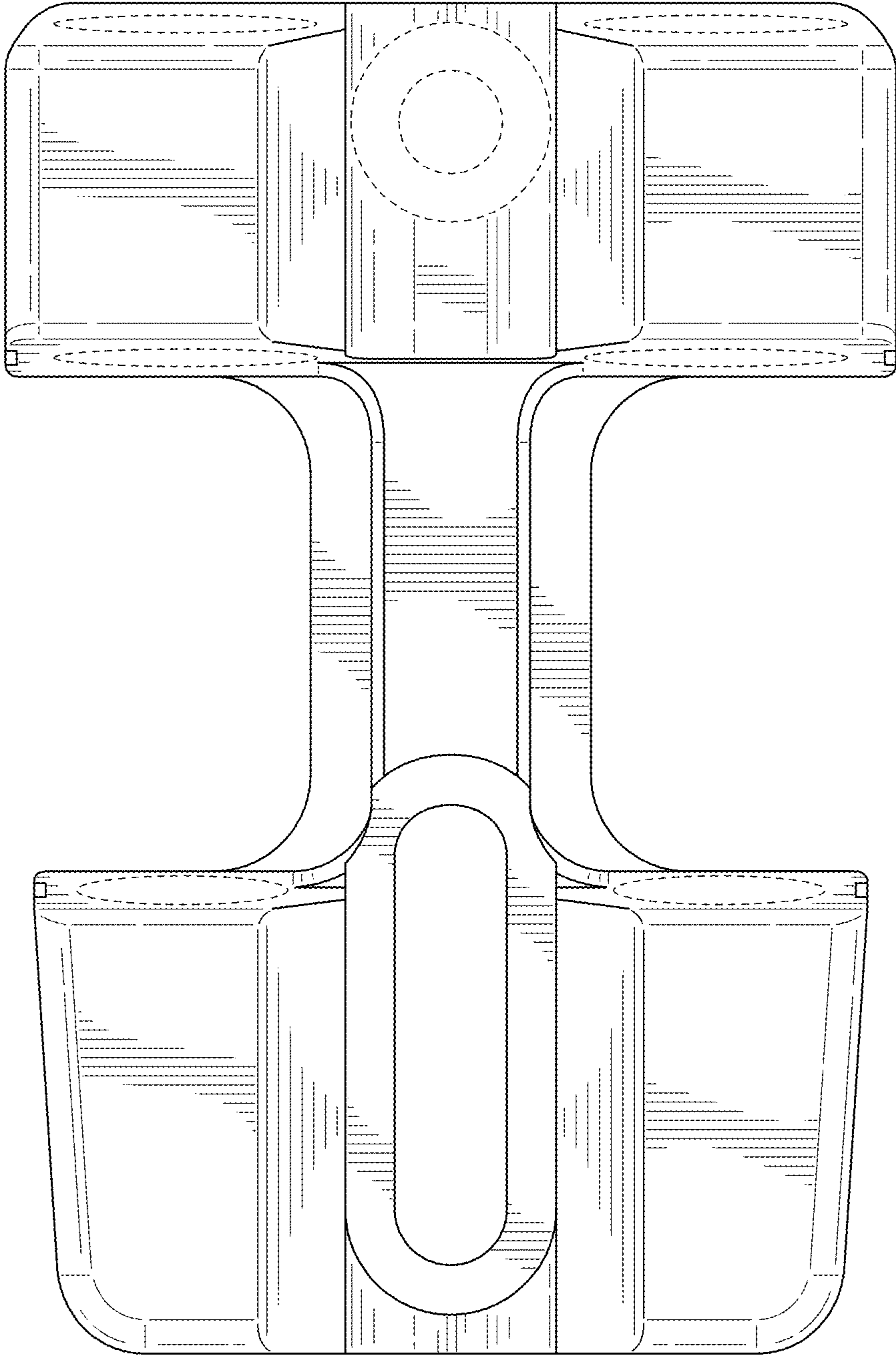
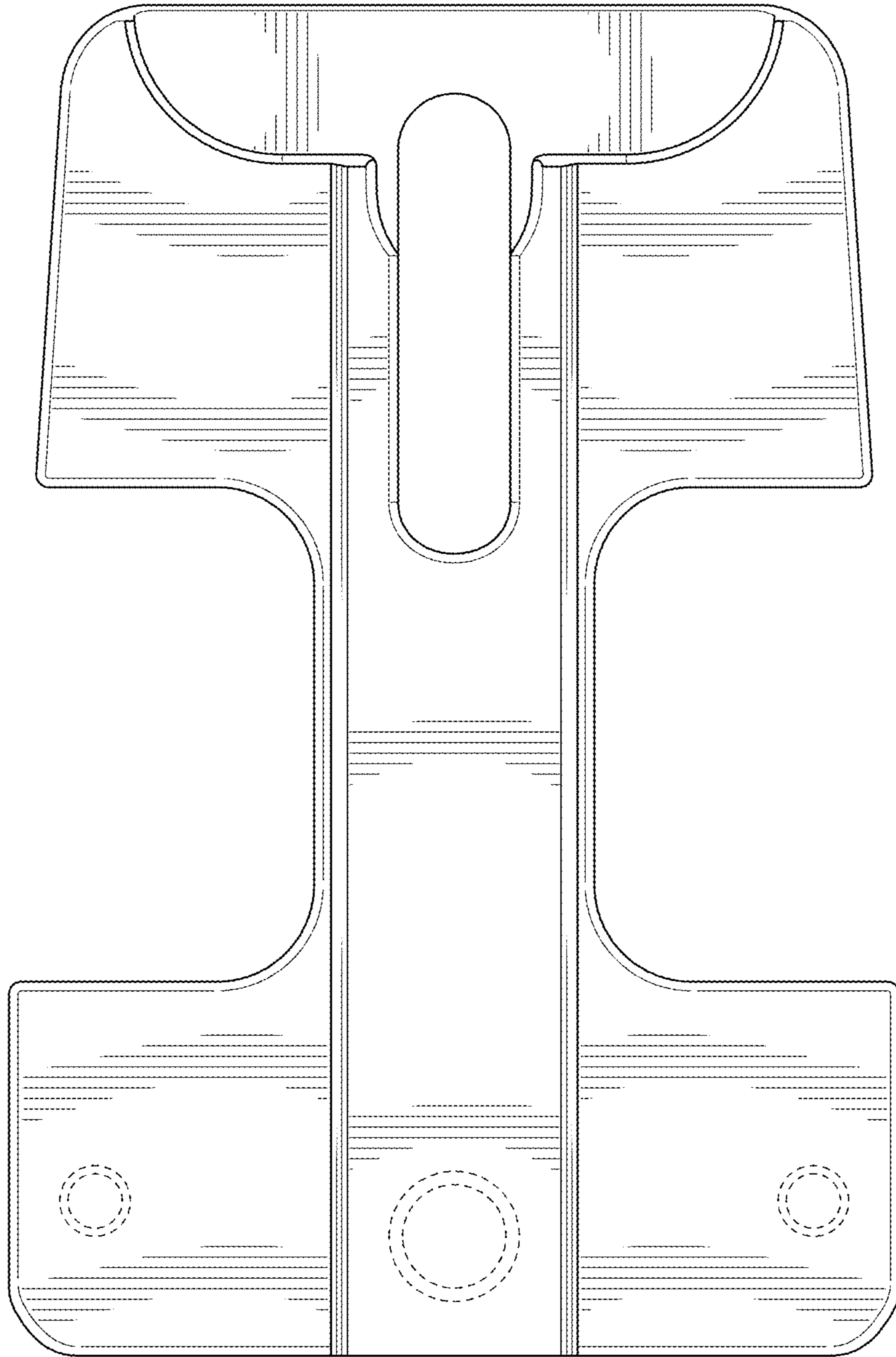


FIG. 6



**FIG. 7**