



US00D891563S

(12) **United States Design Patent**  
**Hu**

(10) **Patent No.:** **US D891,563 S**

(45) **Date of Patent:** **\*\* Jul. 28, 2020**

(54) **FORESTOCK**

(71) Applicant: **Shih-Che Hu**, Tainan (TW)

(72) Inventor: **Shih-Che Hu**, Tainan (TW)

(\*\*) Term: **15 Years**

(21) Appl. No.: **29/670,777**

(22) Filed: **Nov. 20, 2018**

(51) **LOC (12) Cl.** ..... **22-01**

(52) **U.S. Cl.**  
USPC ..... **D22/108**

(58) **Field of Classification Search**  
USPC ..... D22/100, 103, 104, 105, 108, 109, 110,  
D22/111, 199; D21/567, 573, 574, 575  
CPC ..... F41C 23/04; F41C 23/08; F41C 23/16;  
F41G 1/02; F41G 1/027; F41G 1/06;  
F41A 17/46; F41A 19/11  
See application file for complete search history.

(56) **References Cited**

**U.S. PATENT DOCUMENTS**

D703,286 S *	4/2014	Chen	.....	D22/108
D709,582 S *	7/2014	Geissele	.....	D22/108
8,819,980 B2 *	9/2014	Geissele	.....	F41C 23/16 42/71.01
D741,978 S *	10/2015	Shea	.....	D22/108
D746,399 S *	12/2015	Folkestad, II	.....	D22/108
D748,754 S *	2/2016	Chastain	.....	D22/108
D752,171 S *	3/2016	Chen	.....	D22/108
9,310,146 B2 *	4/2016	Gibbens	.....	F41A 3/66
D757,876 S *	5/2016	Boswell, Jr.	.....	D22/108
9,464,865 B2 *	10/2016	Shea	.....	F41C 23/16
D770,590 S *	11/2016	Sui	.....	D22/108
9,500,421 B1 *	11/2016	Geissele	.....	F41A 3/72
9,534,859 B2 *	1/2017	Battaglia	.....	F41A 3/14
D783,760 S *	4/2017	Pavlick	.....	D22/108
D783,761 S *	4/2017	Pavlick	.....	D22/108
D785,743 S *	5/2017	Pavlick	.....	D22/108
D795,986 S *	8/2017	Frederickson	.....	D22/108
D797,232 S *	9/2017	Gibbens	.....	D22/108

D827,759 S *	9/2018	Jen	.....	D22/108
D828,480 S *	9/2018	Hiler, Jr.	.....	D22/108
D834,113 S *	11/2018	Chu	.....	D21/574
10,126,095 B1 *	11/2018	Reid	.....	F41C 23/16
D835,745 S *	12/2018	Storch	.....	D22/108
10,145,648 B1 *	12/2018	Holder	.....	F41C 23/16
D840,494 S *	2/2019	Storch	.....	D22/108

(Continued)

**OTHER PUBLICATIONS**

“Rail Assembly, DB15 C M-LOK 6” Handguard, Black” [online].  
diamondbackfirearms.com. [Retrieved on Dec. 23, 2019]. Retrieved  
from the Internet: <<https://diamondbackfirearms.com/product/rail-assembly-db15-c-m-lok-6-handguard-black/>>.\*

*Primary Examiner* — Khawaja Anwar  
*Assistant Examiner* — Mojtaba Tehrani  
(74) *Attorney, Agent, or Firm* — Raymond Y. Chan;  
David and Raymond Patent Firm

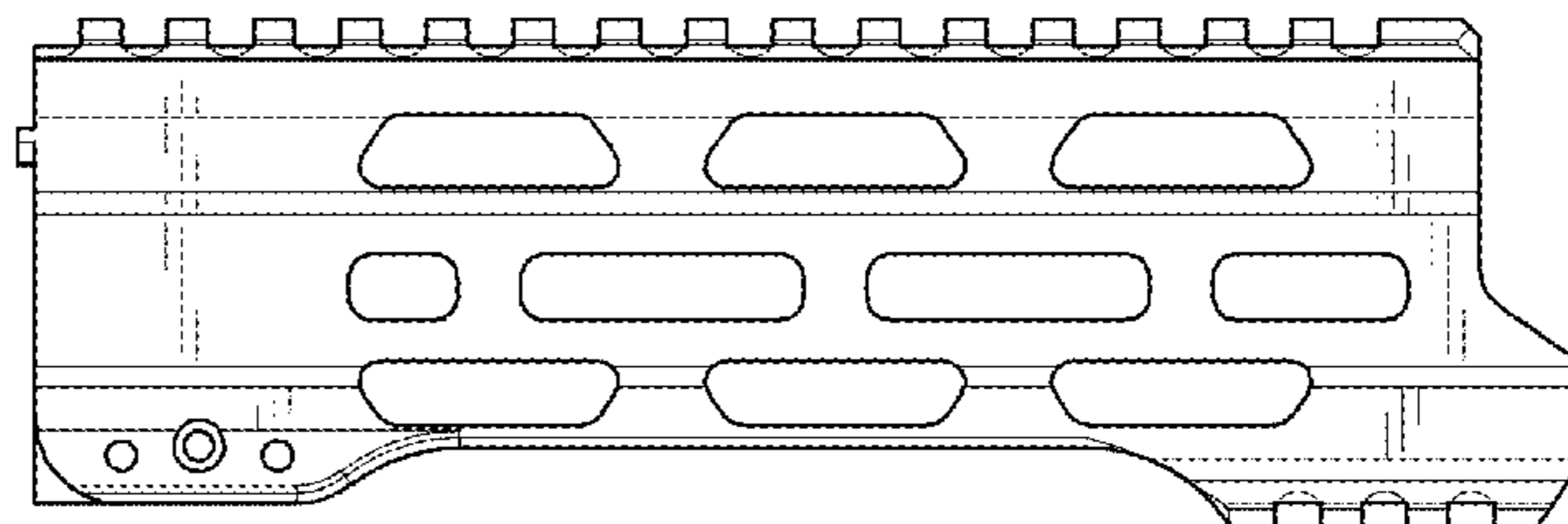
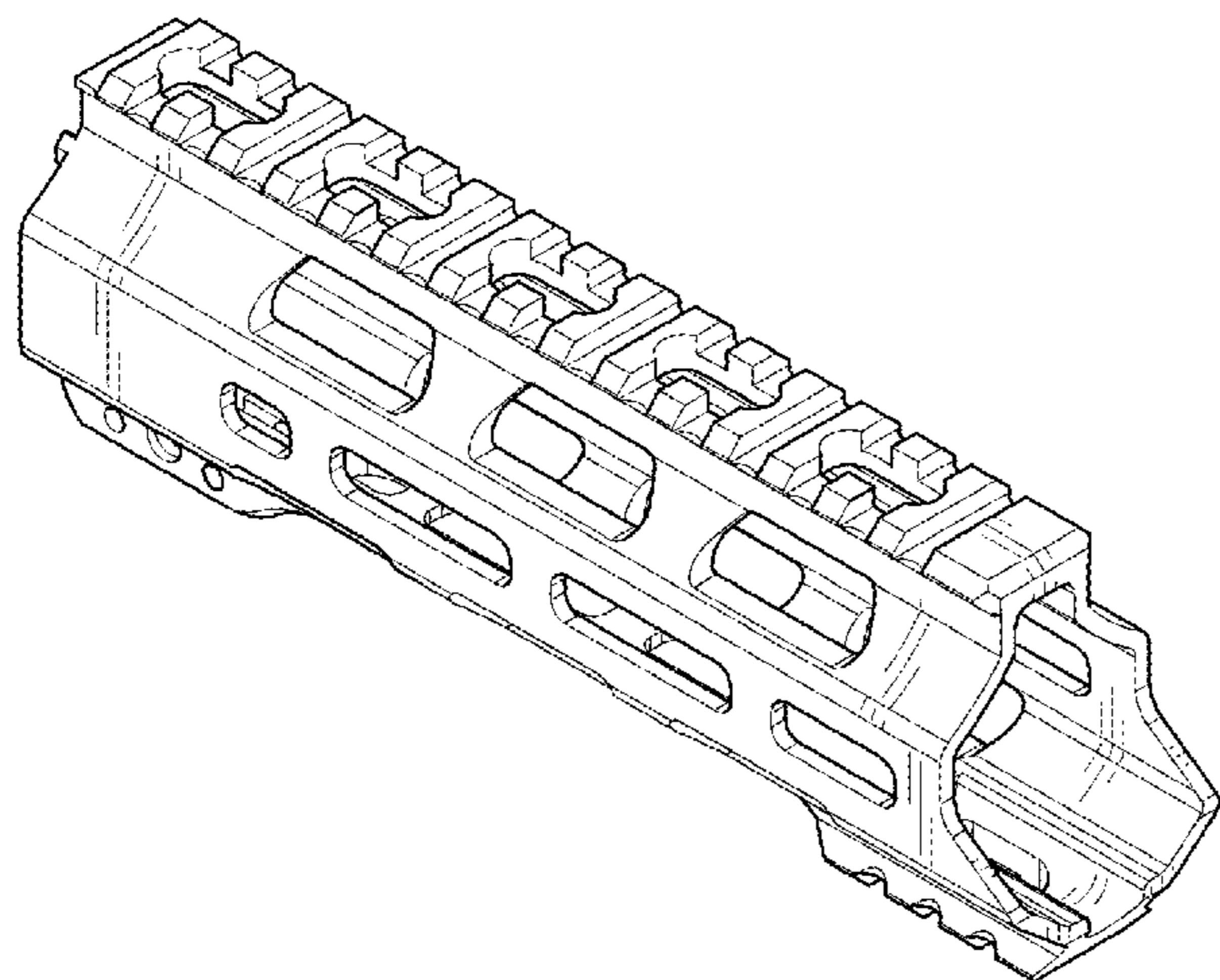
(57) **CLAIM**

The ornamental design for a forestock, as shown and described.

**DESCRIPTION**

FIG. 1 is a front perspective view of forestock showing my new design;  
FIG. 2 is a front view thereof;  
FIG. 3 is a rear view thereof;  
FIG. 4 is a left end view thereof;  
FIG. 5 is a right end view thereof;  
FIG. 6 is a top view thereof;  
FIG. 7 is a bottom view thereof;  
FIG. 8 is a rear perspective view thereof; and,  
FIG. 9 is a referential operational and referential front side view of the forestock with a gun body, wherein the broken lines in the drawing is for illustrative purpose only and shows the portion that forms no part of the design to be claimed.

**1 Claim, 6 Drawing Sheets**



(56)

**References Cited**

U.S. PATENT DOCUMENTS

D844,091	S *	3/2019	Kincel .....	D22/108
D844,094	S *	3/2019	Geissele .....	D22/108
D846,688	S *	4/2019	Storch .....	D22/108
D855,138	S *	7/2019	Cheng .....	D22/108
10,352,635	B2 *	7/2019	Noonan .....	F41C 23/16
10,352,650	B2 *	7/2019	Hiler, Jr. ....	F41A 21/482
10,401,122	B2 *	9/2019	Williams .....	F41G 11/003
D862,629	S *	10/2019	Chambless .....	D22/108
2010/0319231	A1 *	12/2010	Stone .....	F41C 23/16 42/71.01
2014/0115938	A1 *	5/2014	Jarboe .....	F41A 21/485 42/71.01
2015/0007476	A1 *	1/2015	Dextraze .....	F41G 11/003 42/71.01

\* cited by examiner

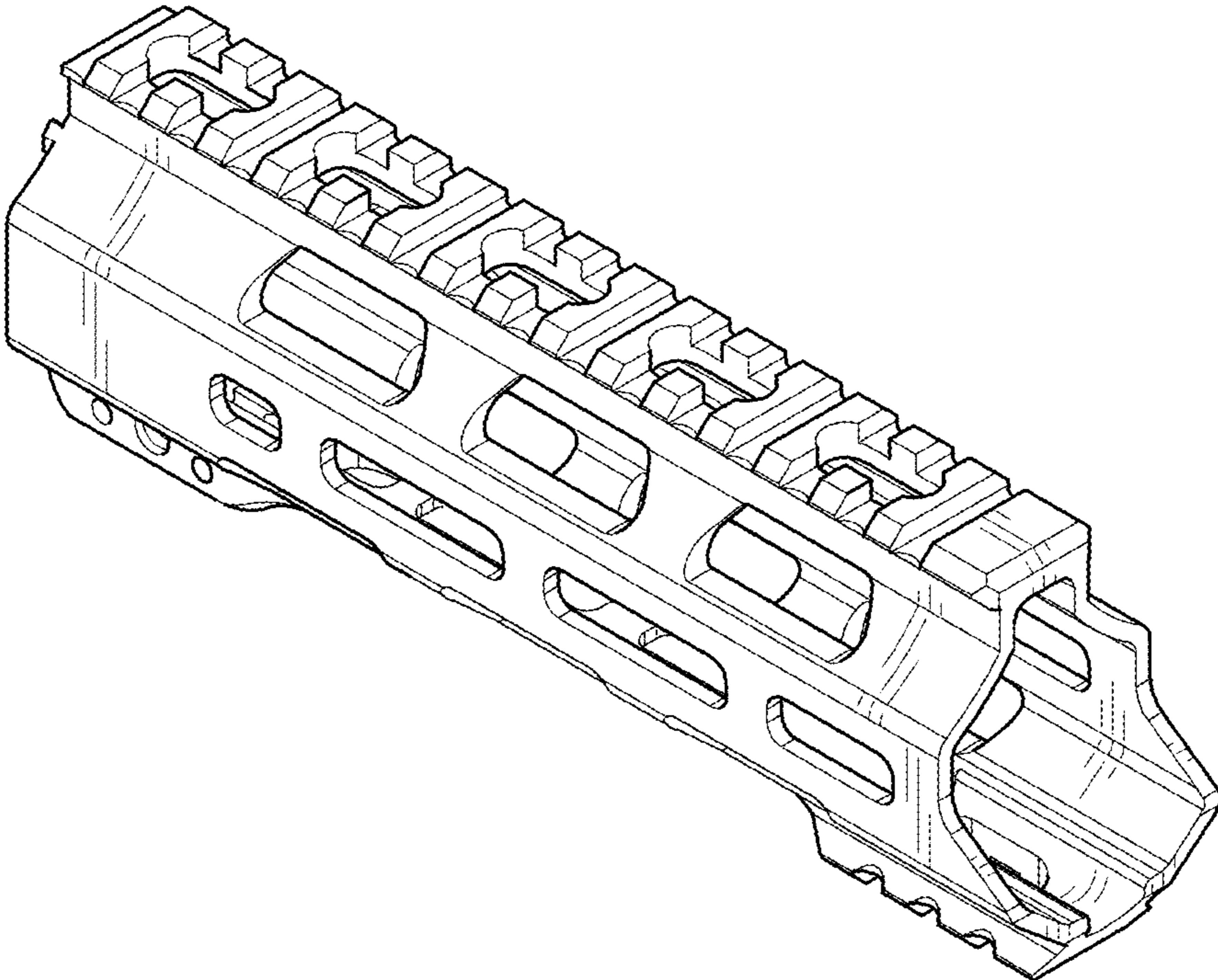


FIG. 1

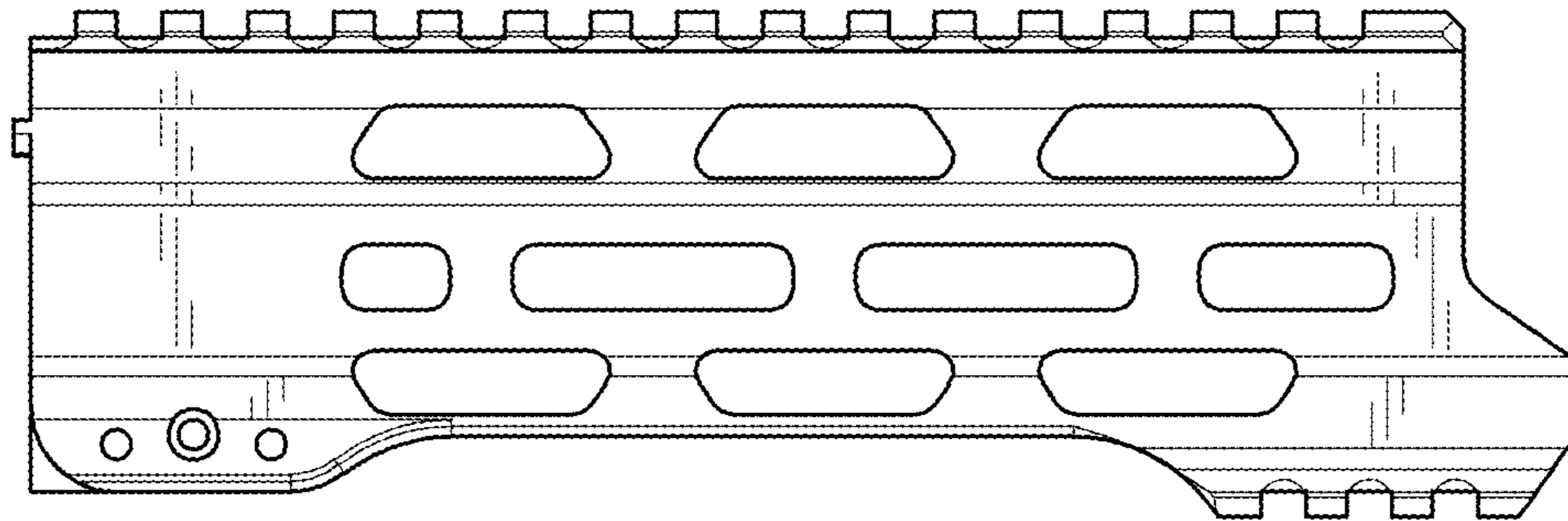


FIG. 2

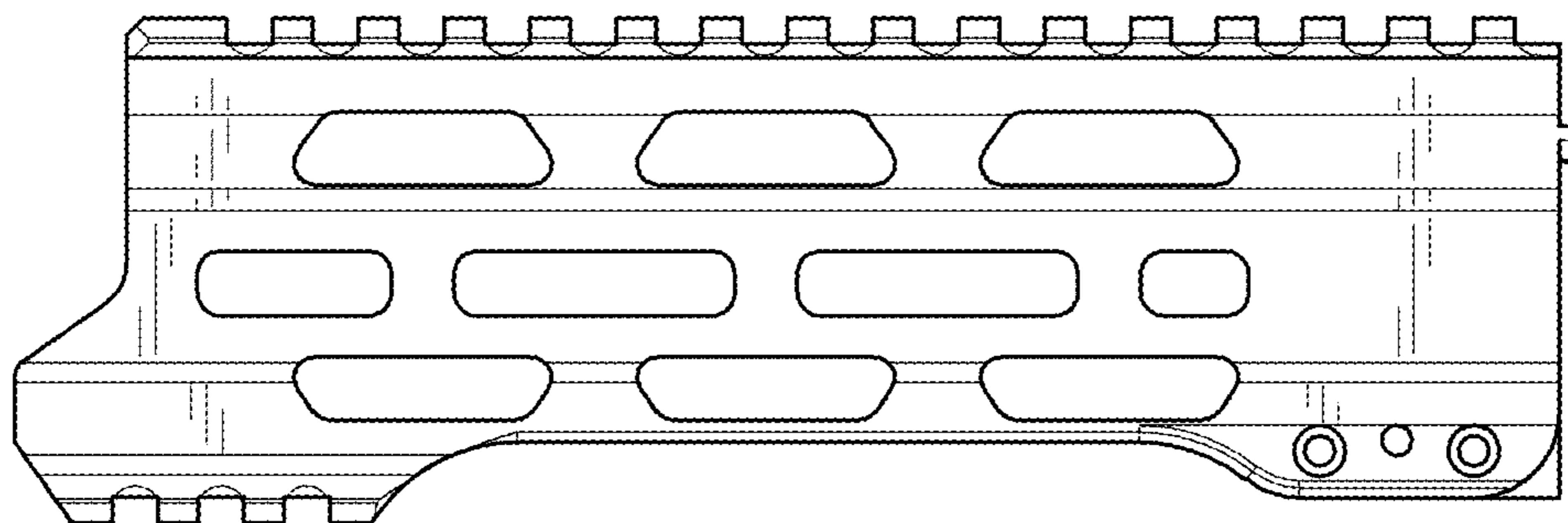


FIG. 3

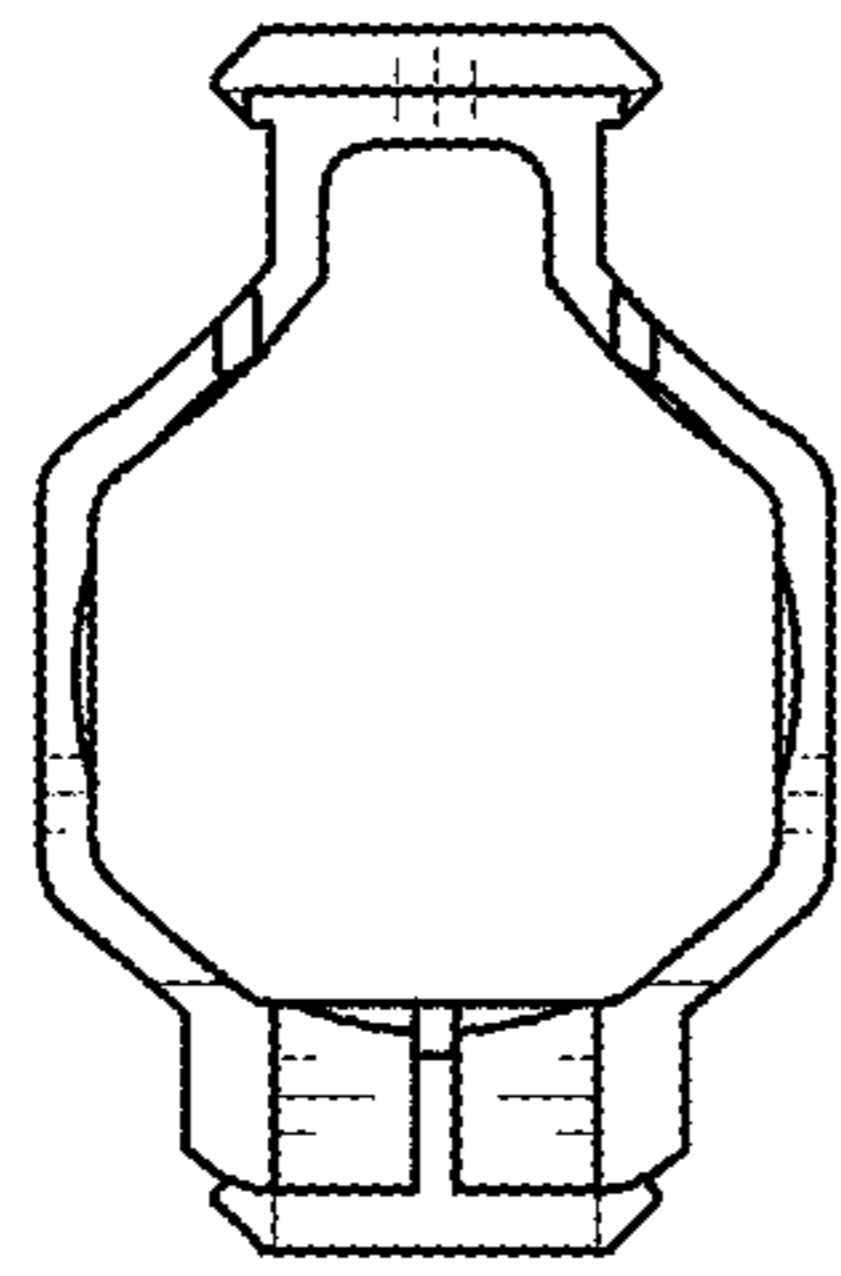


FIG. 4

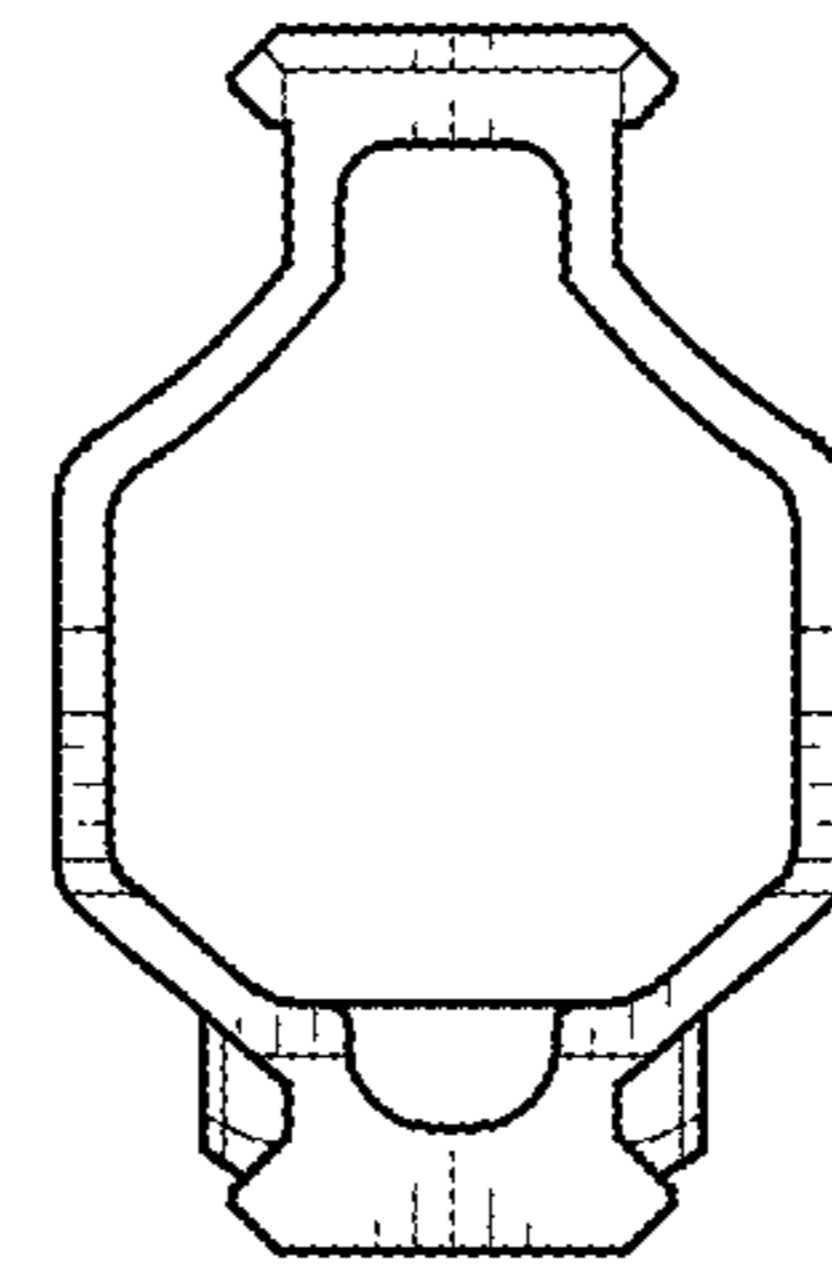


FIG. 5

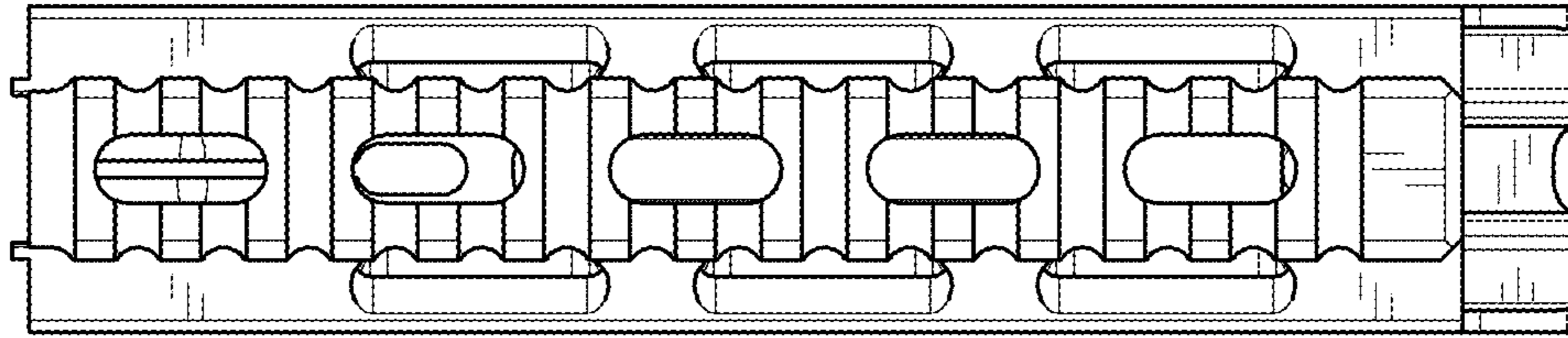


FIG. 6

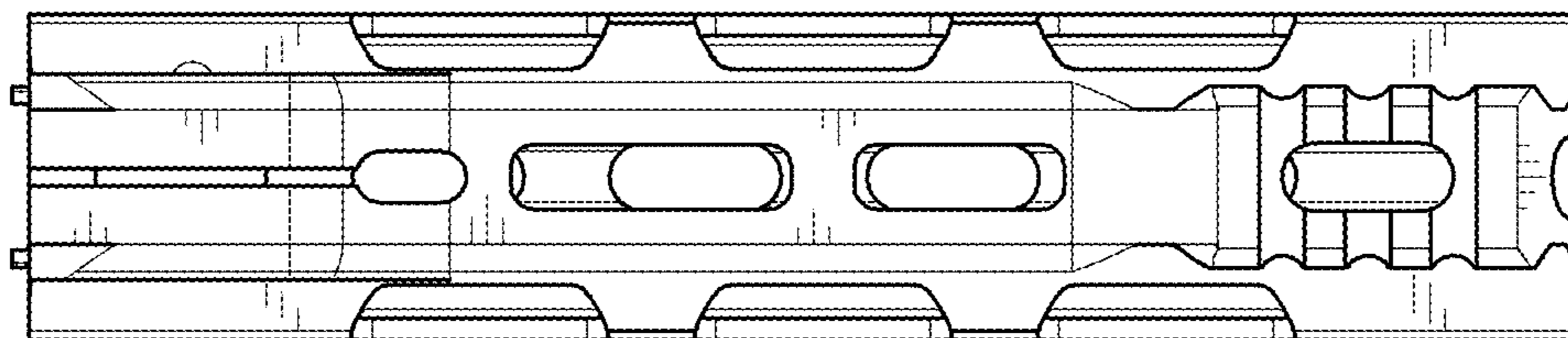


FIG. 7

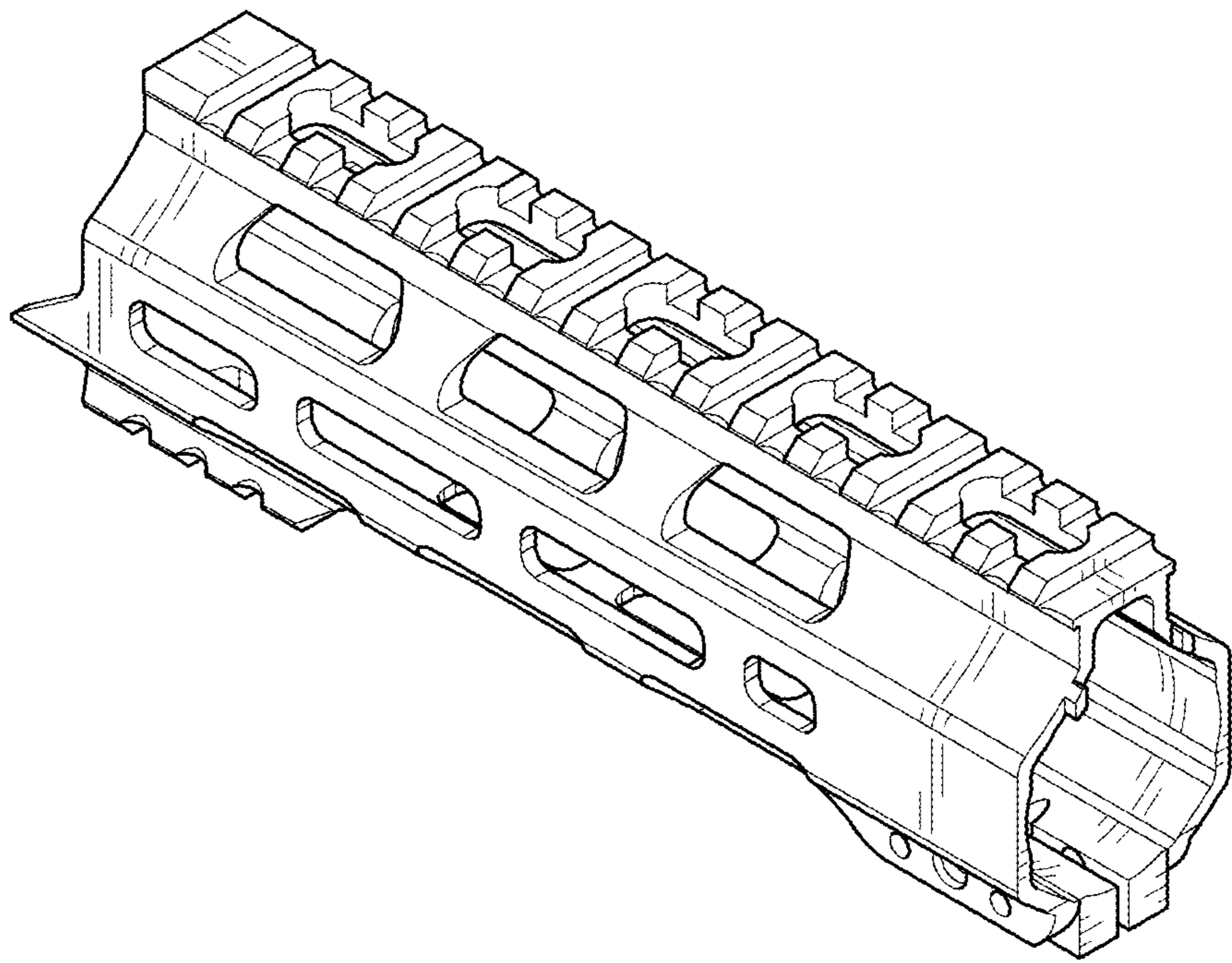


FIG. 8

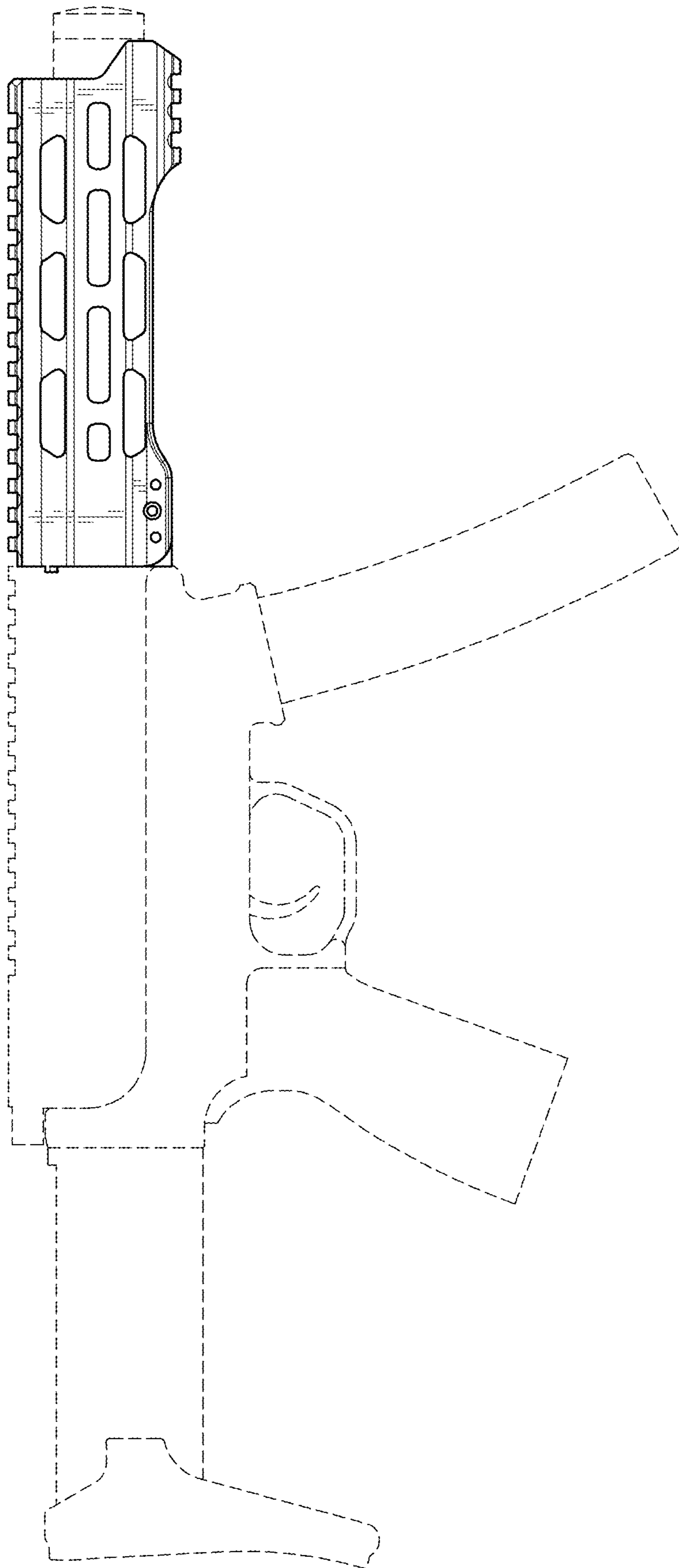


FIG. 9