



US00D891561S

(12) **United States Design Patent** (10) **Patent No.:** **US D891,561 S**
Parker et al. (45) **Date of Patent:** **** Jul. 28, 2020**

(54) **BUTTSTOCK FOR FIREARM**
(71) Applicant: **Sturm, Ruger & Company, Inc.**,
Southport, CT (US)
(72) Inventors: **Benjamin Keyes Parker**, Stokesdale,
NC (US); **Jonathan Philip Mather**,
Grafton, NH (US); **Jarod John**
Wendholt, Jasper, IN (US); **Robert**
Earl Craig, Eden, NC (US); **Matthew**
Scott Willson, Walnut Cove, NC (US);
Nathan Brown, Kernersville, NC (US)

(73) Assignee: **STURM, RUGER & COMPANY,**
INC., Southport, CT (US)

(**) Term: **15 Years**

(21) Appl. No.: **29/668,347**

(22) Filed: **Oct. 30, 2018**

(51) **LOC (12) Cl.** **22-01**

(52) **U.S. Cl.**
USPC **D22/108**

(58) **Field of Classification Search**
USPC D22/108; D21/572-575
CPC F41C 23/04; F41C 23/14; F41C 23/06;
F41C 23/22; F41C 33/007
See application file for complete search history.

(56) **References Cited**

U.S. PATENT DOCUMENTS

4,896,446	A	1/1990	Gregory
5,031,348	A	7/1991	Carey
5,392,553	A	2/1995	Carey
5,410,833	A	5/1995	Paterson
5,970,642	A	10/1999	Martin
7,428,794	B2	9/2008	Oz
7,640,688	B2	1/2010	Oz
7,647,719	B2	1/2010	Fitzpartrick et al.
7,930,849	B2	4/2011	Abraham et al.

8,061,072	B1	11/2011	Crose
8,141,288	B2	3/2012	Dodd et al.
8,186,090	B1	5/2012	Chiarolanza et al.
8,381,427	B2	2/2013	Null
8,402,683	B2	3/2013	Cabahug et al.
8,453,365	B1	6/2013	Ballard
D704,294	S	5/2014	Jarboe
8,720,099	B1	5/2014	Sisk
8,763,296	B1	7/2014	Chvala
8,844,185	B2	9/2014	Jarboe

(Continued)

OTHER PUBLICATIONS

Magpul PRS GEN3 Precision Adjustable Stock (Options)—MSR
Arms, LLC, <https://www.msrrarms.com> 2017, pp. 1-2.

(Continued)

Primary Examiner — Michael A. Pratt

(74) *Attorney, Agent, or Firm* — The Belles Group, P.C.

(57) **CLAIM**

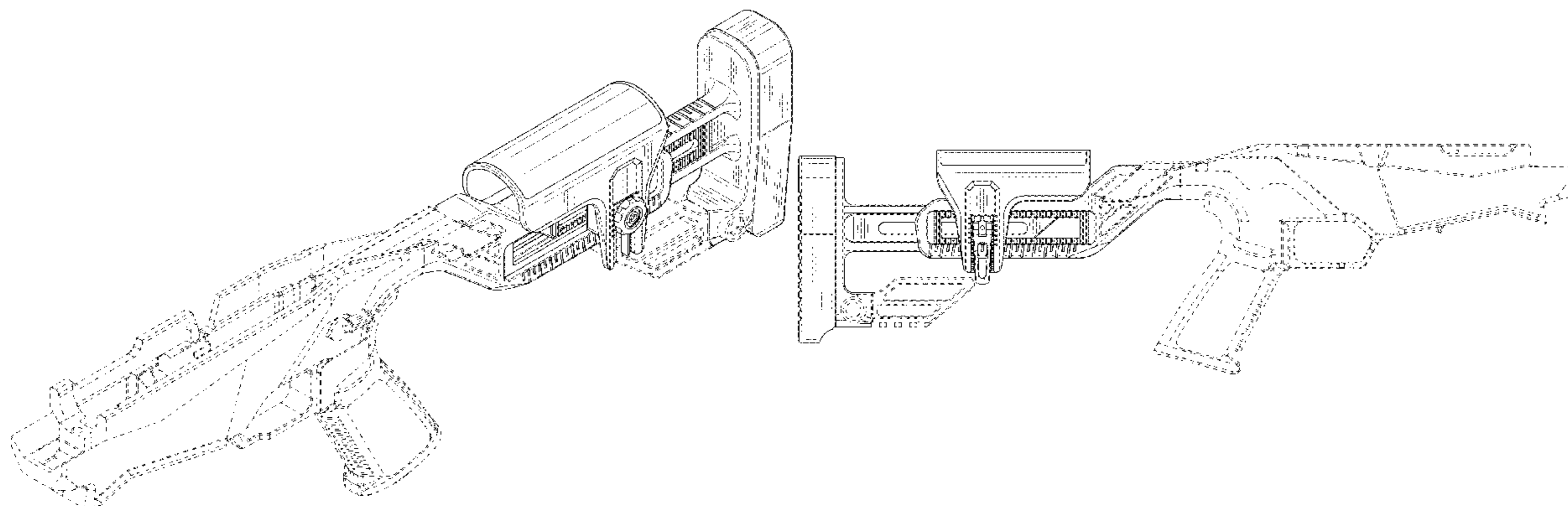
The ornamental design for a buttstock for a firearm, as
shown and described.

DESCRIPTION

FIG. 1 is a front top perspective view of a buttstock
according to the new design;
FIG. 2 is rear bottom perspective view thereof;
FIG. 3 is a right elevation view thereof;
FIG. 4 is a left elevation view thereof;
FIG. 5 is a top plan view thereof;
FIG. 6 is a bottom plan view thereof;
FIG. 7 is a front elevation view thereof; and,
FIG. 8 is rear elevation view thereof.

All dashed lines comprising short dashed lines shown in the
drawings are for environmental purposes and form no part of
the claimed design. All dashed lines comprising long dash-
short dash-long dash lines depict boundaries between
claimed and unclaimed portions of the design.

1 Claim, 6 Drawing Sheets



(56)

References Cited

U.S. PATENT DOCUMENTS

D722,672 S * 2/2015 Juarez D22/108
 8,950,099 B2 2/2015 Rogers et al.
 8,955,245 B2 2/2015 Chvala
 D733,247 S * 6/2015 Lewis D22/108
 D736,336 S 8/2015 Mayberry et al.
 9,360,272 B2 6/2016 Hopkins
 D763,396 S * 8/2016 Juarez D22/108
 9,404,708 B1 8/2016 Chow et al.
 9,410,764 B2 8/2016 Jarboe
 9,464,863 B2 10/2016 Mather et al.
 D774,619 S * 12/2016 Mather D22/108
 9,546,845 B2 1/2017 Mather
 9,574,844 B2 2/2017 Williams
 9,664,476 B1 5/2017 Robinson et al.
 9,664,479 B1 5/2017 Robinson et al.
 10,215,526 B2 2/2019 Shinkle et al.
 D868,924 S * 12/2019 Nuss D22/108
 D871,536 S * 12/2019 Lessard D22/108
 2006/0254111 A1 11/2006 Giauque et al.
 2007/0101631 A1 5/2007 Bentley
 2007/0289190 A1 12/2007 Oz
 2008/0028662 A1 2/2008 Abraham et al.
 2012/0036757 A1 2/2012 Larue
 2014/0245649 A1 9/2014 Fluhr et al.

2014/0259848 A1 9/2014 Chvala
 2014/0360074 A1 12/2014 Jarboe
 2015/0338186 A1 11/2015 Hopkins
 2015/0345881 A1 12/2015 Irvin
 2016/0084612 A1 3/2016 Robinson et al.
 2016/0116250 A1 4/2016 Mather
 2016/0187092 A1 * 6/2016 Mather F41A 19/10
 42/69.02
 2016/0202016 A1 * 7/2016 Mather F41C 23/14
 42/73
 2017/0059271 A1 3/2017 Bowen
 2017/0122698 A1 5/2017 Chu
 2018/0202756 A1 7/2018 Shinkle et al.
 2018/0335273 A1 11/2018 Doty et al.
 2019/0056192 A1 2/2019 Frazier et al.
 2019/0128639 A1 5/2019 Parker et al.
 2019/0301831 A1 10/2019 Innecci

OTHER PUBLICATIONS

Reaser, Rob, The AR-15 You Can't Afford Not to Buy, Shooting Daily, 2017, pp. 1-4.
 International Search Report and Written Opinion, Patent Cooperation Treaty, dated Jan. 7, 2019, pp. 1-16.

* cited by examiner

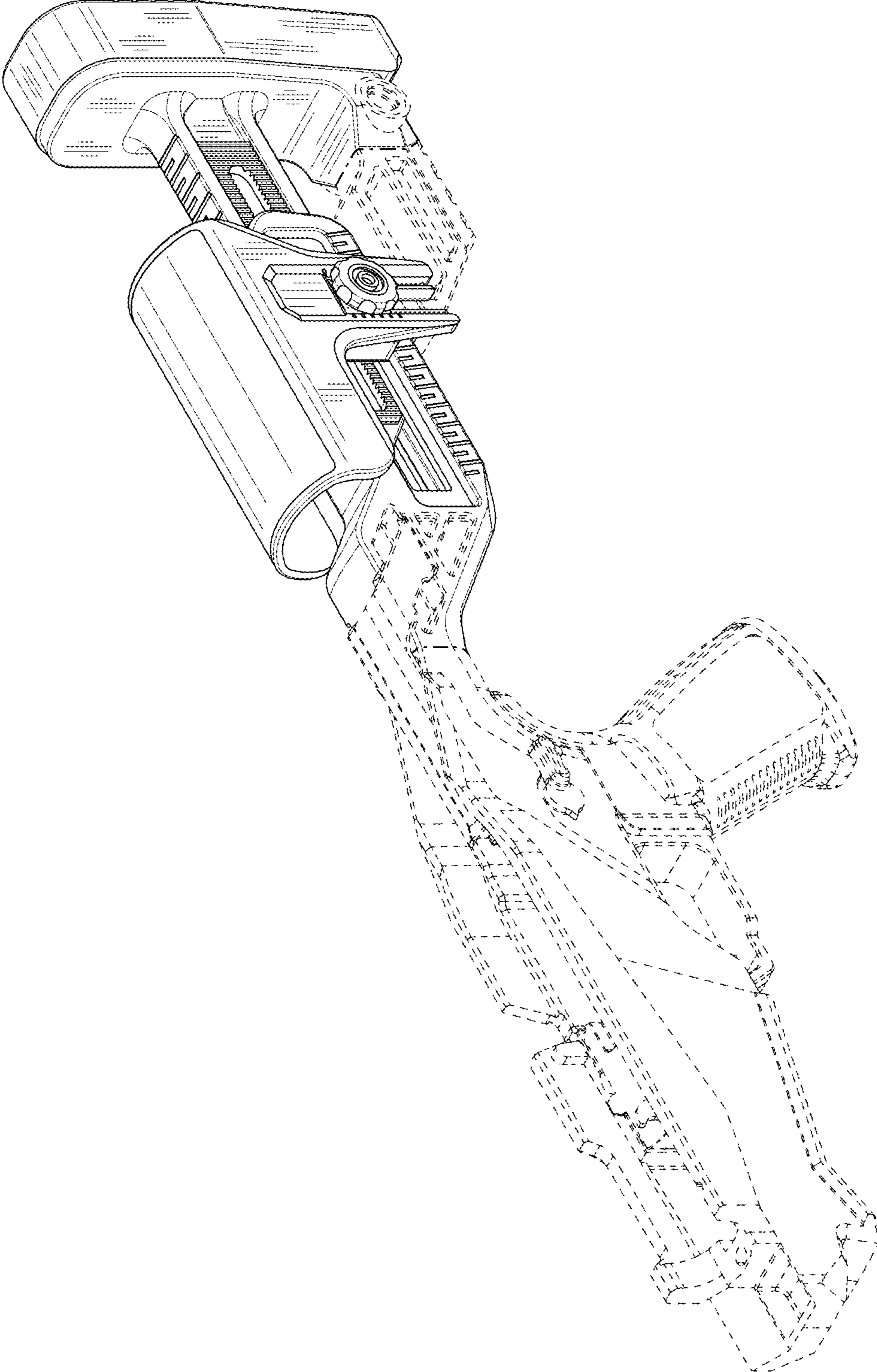


FIG. 1

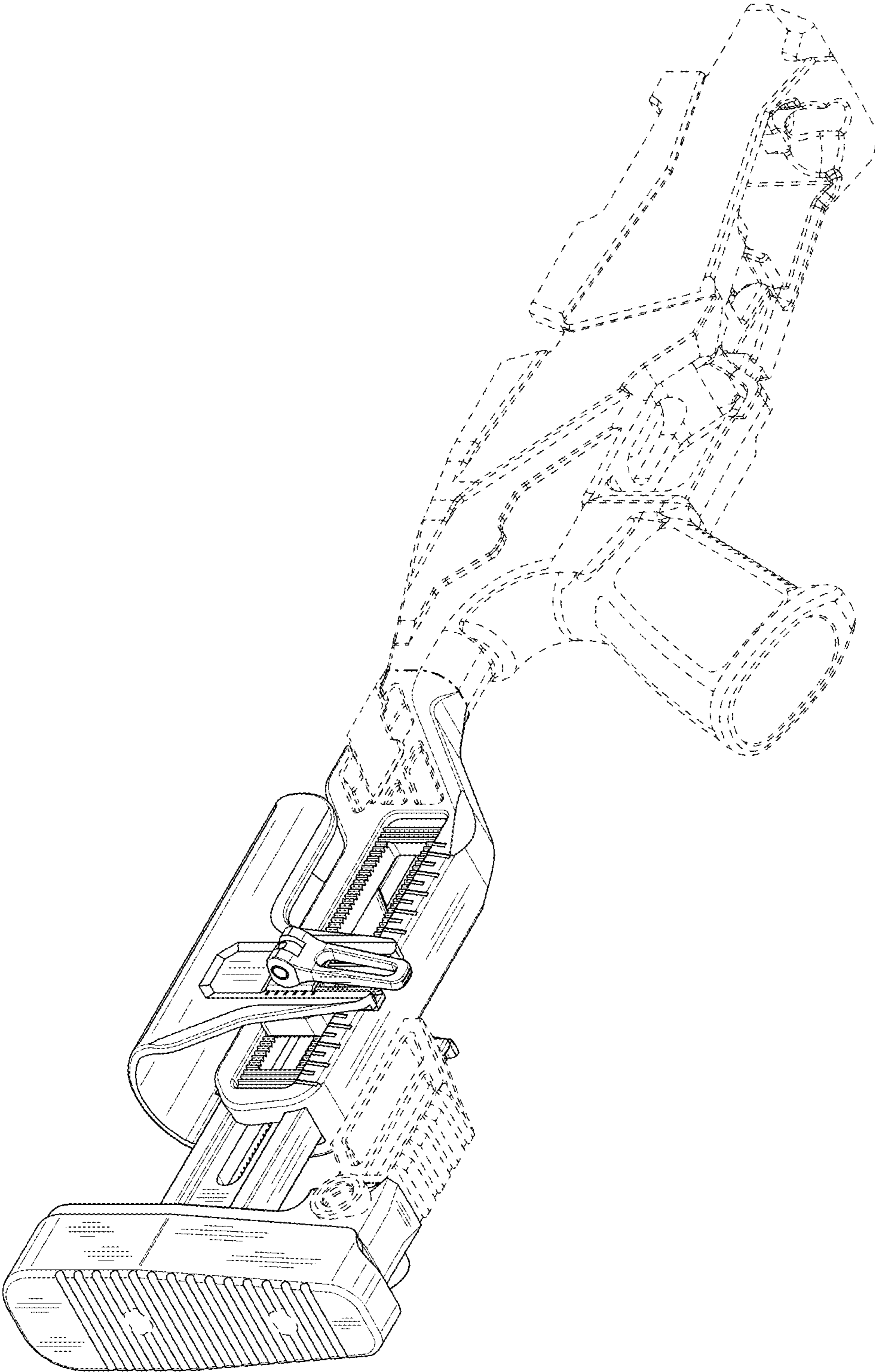


FIG. 2

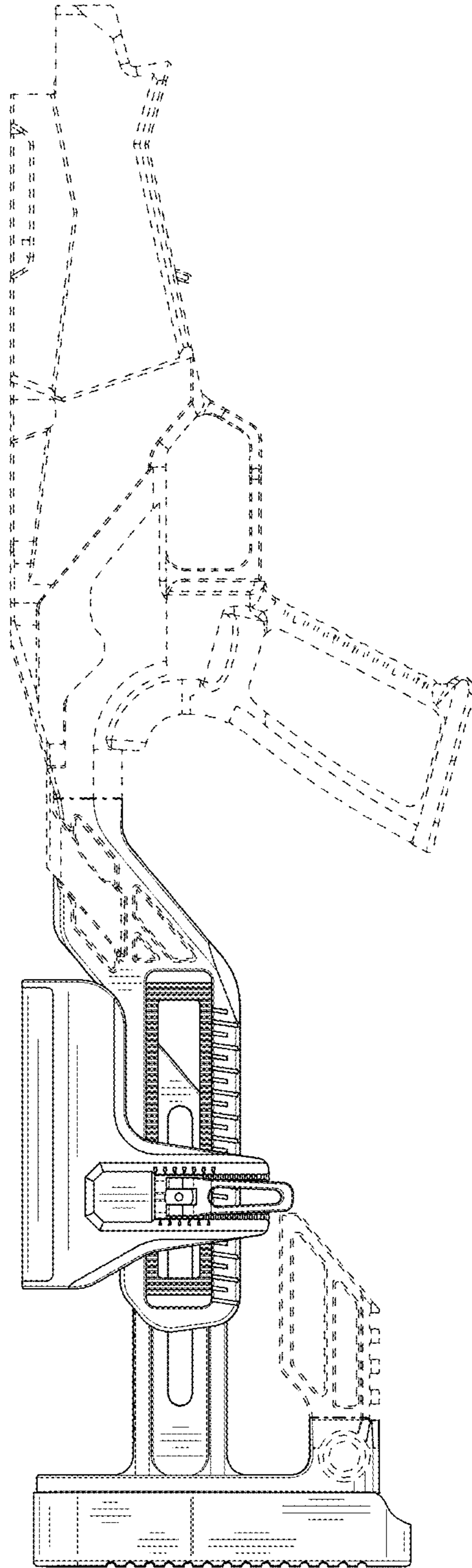


FIG. 3

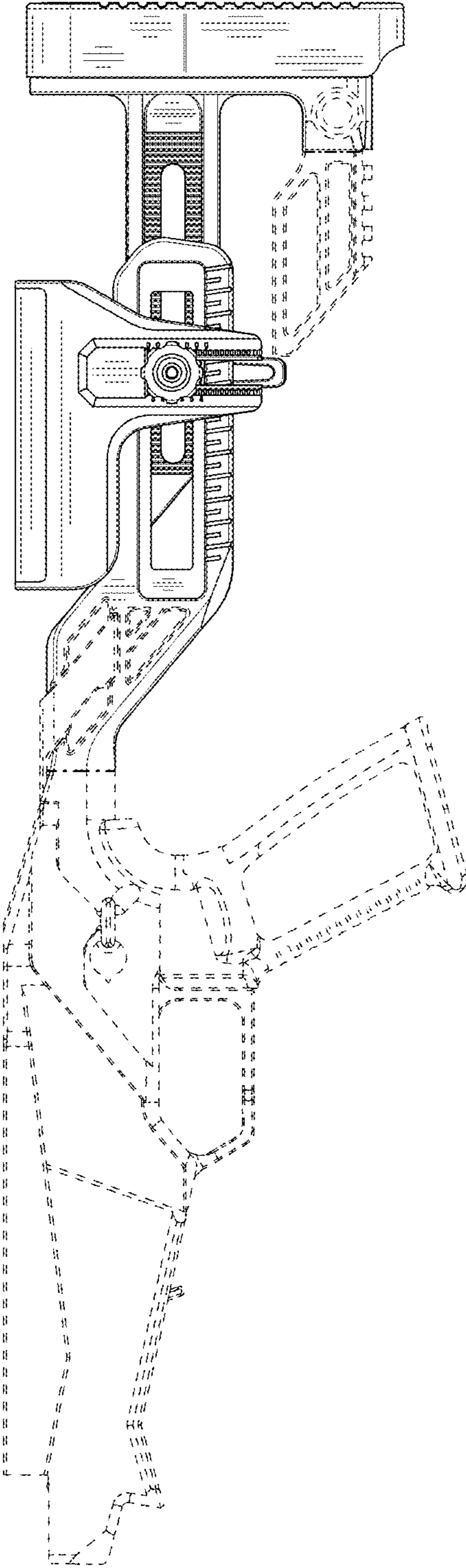


FIG. 4

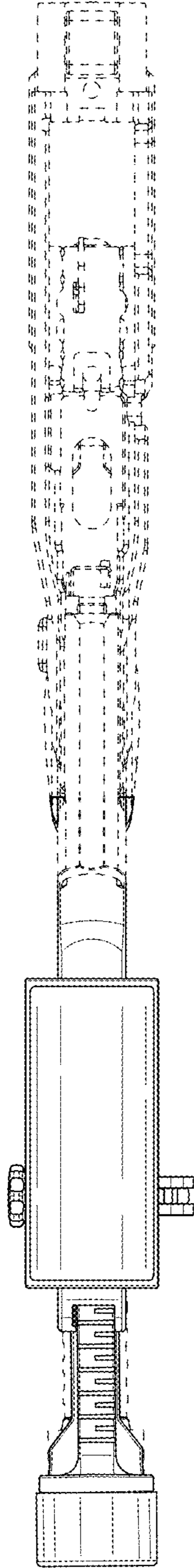


FIG. 5

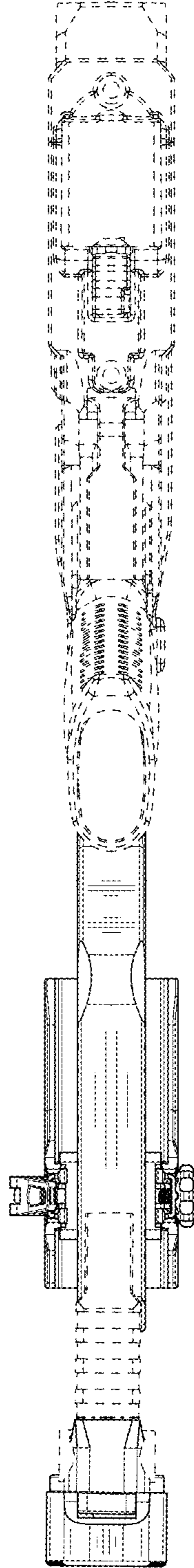


FIG. 6

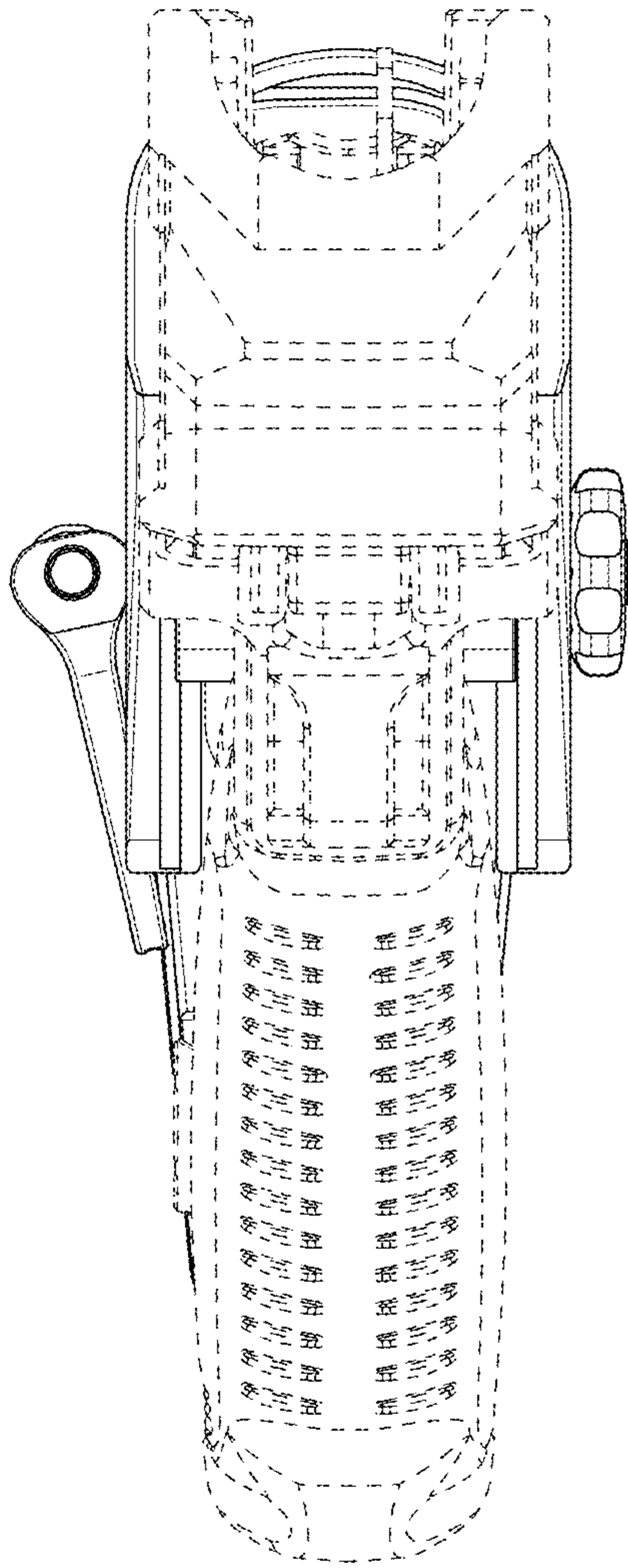


FIG. 7

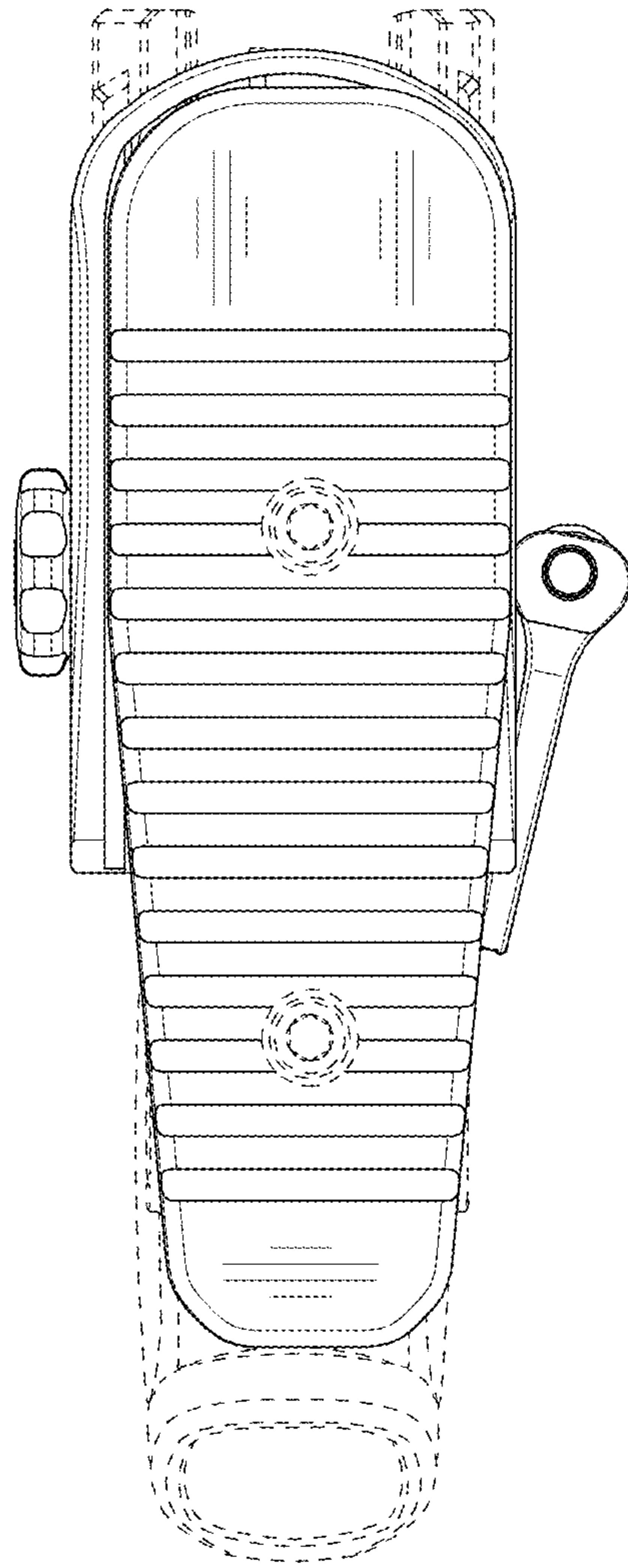


FIG. 8