



US00D891560S

(12) **United States Design Patent**
Chen

(10) **Patent No.:** **US D891,560 S**

(45) **Date of Patent:** **** Jul. 28, 2020**

(54) **RECTANGULAR TRAMPOLINE AND SAUCER SWINGSET**

(71) Applicant: **Samuel Chen**, Hong Kong (CN)

(72) Inventor: **Samuel Chen**, Hong Kong (CN)

(**) Term: **15 Years**

(21) Appl. No.: **29/685,221**

(22) Filed: **Mar. 27, 2019**

(51) **LOC (12) Cl.** **21-02**

(52) **U.S. Cl.**
USPC **D21/823; D21/797**

(58) **Field of Classification Search**
USPC D21/811, 814, 822–825, 797
CPC A63G 9/00–9/22; A63B 5/00; A63B 5/11;
A63B 71/022
See application file for complete search history.

(56) **References Cited**

U.S. PATENT DOCUMENTS

1,529,467	A *	3/1925	Davis	A63B 9/00 472/120
3,130,969	A *	4/1964	Groth	A63G 9/02 472/125
3,937,463	A *	2/1976	Soisson	A63G 9/00 472/118
D251,262	S *	3/1979	Barrett	D21/822
D257,053	S *	9/1980	Ezell	D21/823
D268,693	S *	4/1983	Works	D21/822
D268,858	S *	5/1983	Works	D21/822
D271,037	S *	10/1983	Gordon	D21/822
D278,549	S *	4/1985	Kristich	D21/823
D281,447	S *	11/1985	Gordon	D21/822
D347,458	S *	5/1994	Cunard	D21/818
D358,627	S *	5/1995	Monneret	D21/815
5,427,575	A *	6/1995	Berk	A63G 9/00 297/273
D435,881	S *	1/2001	Gardner	D21/820

D436,224	S *	1/2001	Gardner	D21/820
D440,623	S *	4/2001	Gardner	D21/818
D534,984	S *	1/2007	Nye	D21/818
D536,407	S *	2/2007	Nye	D21/818
D536,409	S *	2/2007	Nye	D21/822
D536,410	S *	2/2007	Nye	D21/822
D536,411	S *	2/2007	Nye	D21/822
D536,412	S *	2/2007	Nye	D21/823
D570,947	S *	6/2008	Horne	D21/797
D587,776	S *	3/2009	Robertson	D21/814
D614,715	S *	4/2010	Mann	D21/797
D630,285	S *	1/2011	Hsiang	D21/797
7,883,446	B2 *	2/2011	Lovley, II	A63B 5/11 482/27
7,909,738	B2 *	3/2011	Chen	A63B 5/11 114/264
8,012,066	B1 *	9/2011	Hsiang	A63B 71/022
D653,299	S *	1/2012	Samuel	D21/797
D690,382	S *	9/2013	Kopp	D21/822

(Continued)

Primary Examiner — Mitchell I. Siegel

(74) *Attorney, Agent, or Firm* — Clement Cheng

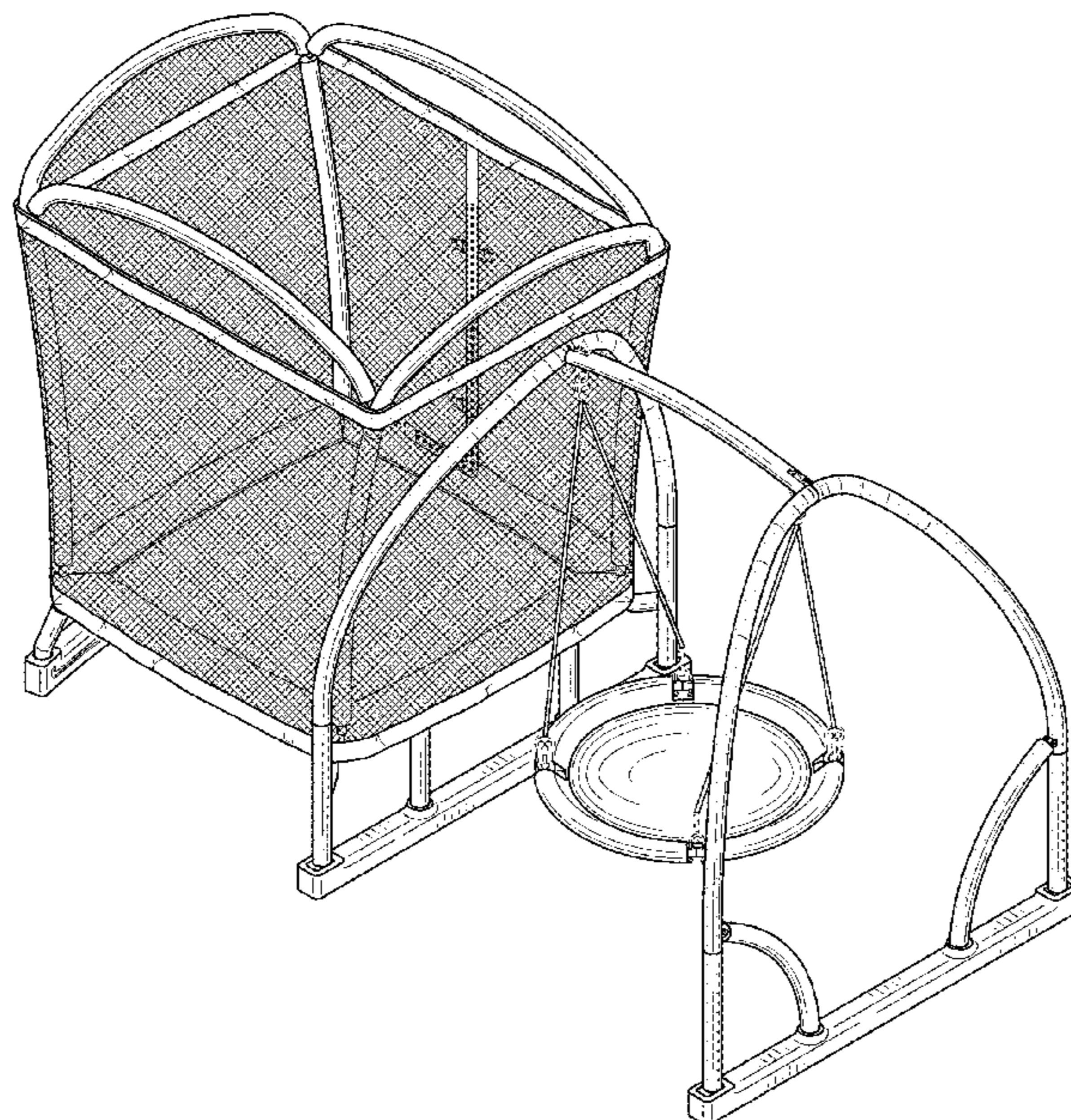
(57) **CLAIM**

The ornamental design for a rectangular trampoline and saucer swingset, as shown and described.

DESCRIPTION

FIG. 1 is a top perspective view.
FIG. 2 is a back view.
FIG. 3 is a front view.
FIG. 4 is a right side view.
FIG. 5 is a left side view.
FIG. 6 is a top view.
FIG. 7 is a bottom view; and,
FIG. 8 is a bottom perspective view.
The broken lines shown are included for the purpose of illustrating unclaimed subject matter and forms no part of the claimed design.

1 Claim, 8 Drawing Sheets



(56)

References Cited

U.S. PATENT DOCUMENTS

8,715,095 B2 * 5/2014 Hsieh A63G 1/12
472/116
D718,827 S * 12/2014 Chen D21/797
D728,721 S * 5/2015 Diego D21/823
9,067,146 B1 * 6/2015 Cordray A63G 9/12
9,440,154 B1 * 9/2016 Cordray A63G 9/12
D785,117 S * 4/2017 Chen D21/797
D794,150 S * 8/2017 Ji D21/797
D794,151 S * 8/2017 Ji D21/797
D796,614 S * 9/2017 Chen D21/797
D854,106 S * 7/2019 Chen D21/823
D879,229 S * 3/2020 Blackrock D21/823
2002/0185049 A1 * 12/2002 Broderick A63B 5/11
114/264
2009/0258759 A1 * 10/2009 Chen A63B 5/11
482/27
2013/0225304 A1 * 8/2013 Hsieh A63G 31/007
472/118
2014/0080674 A1 * 3/2014 Chen A63G 9/14
482/29

* cited by examiner

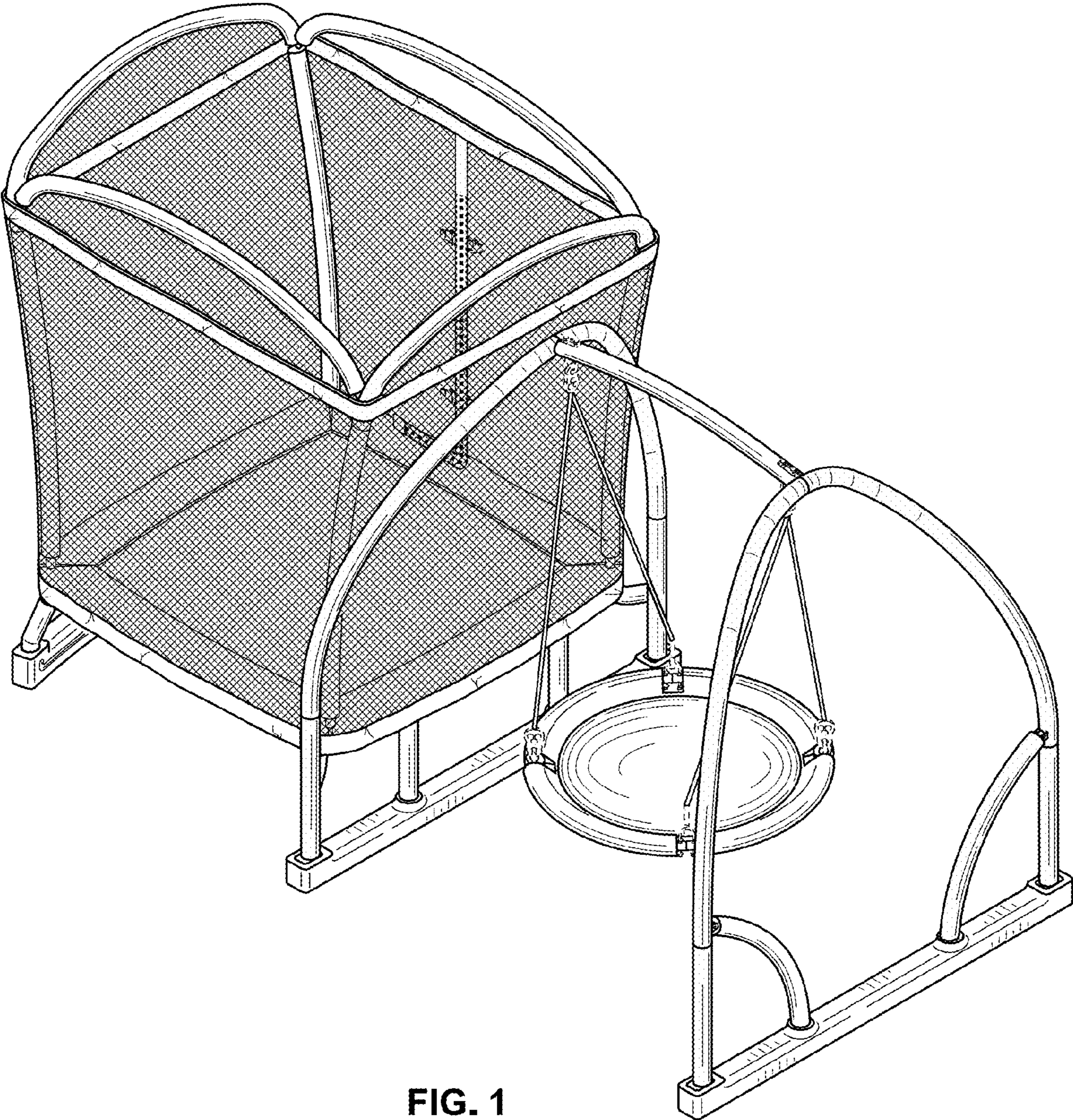


FIG. 1

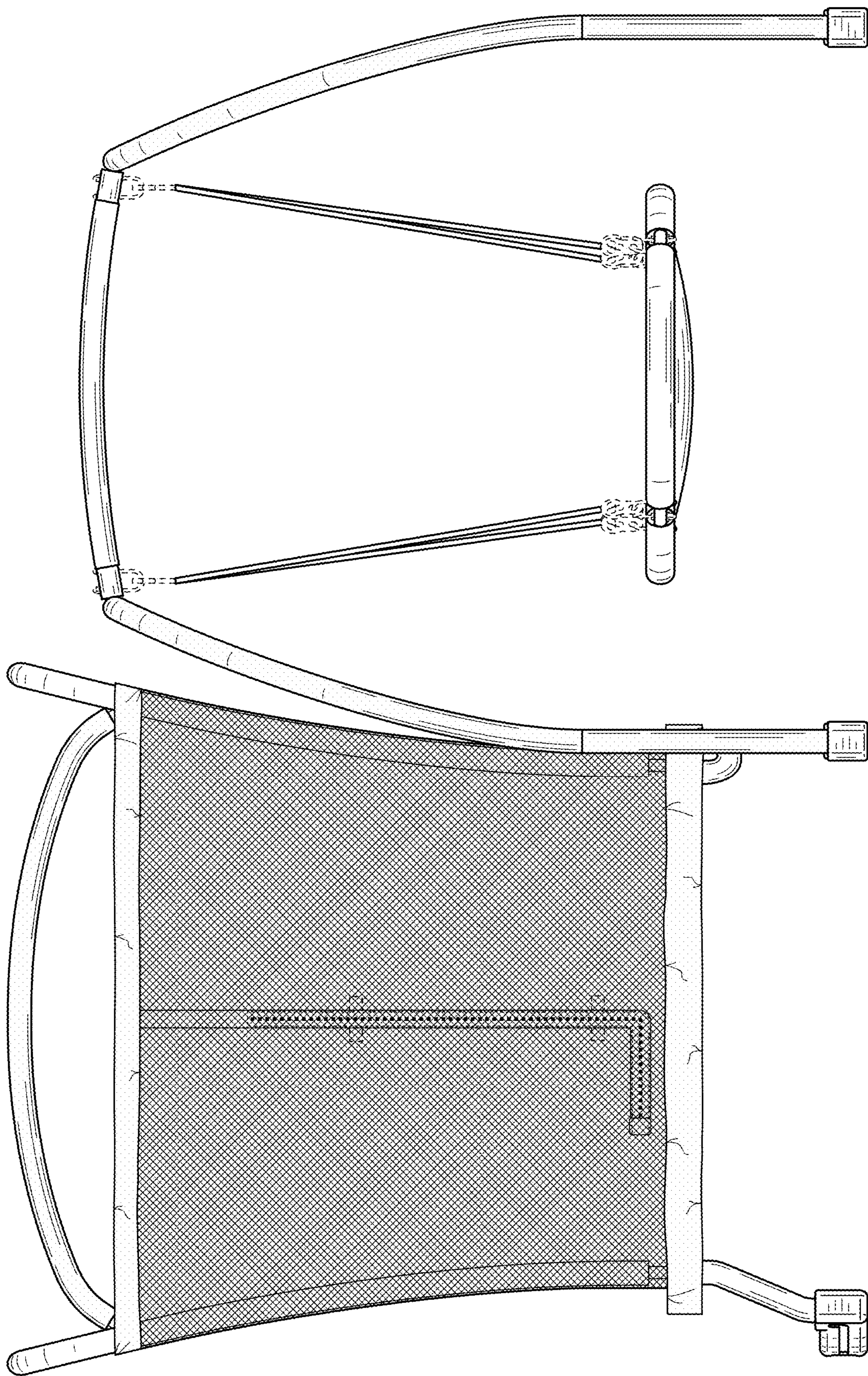


FIG. 2

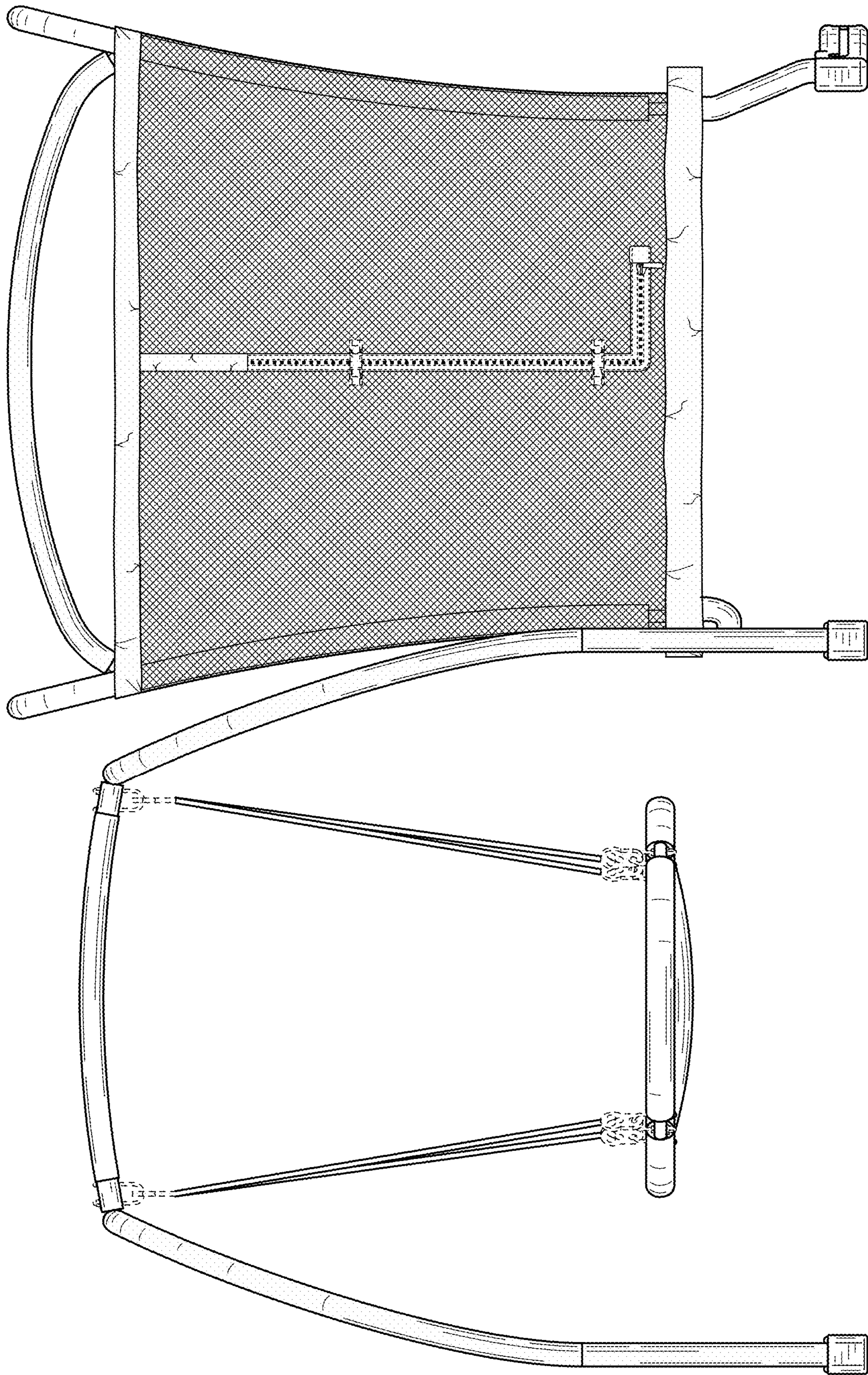


FIG. 3

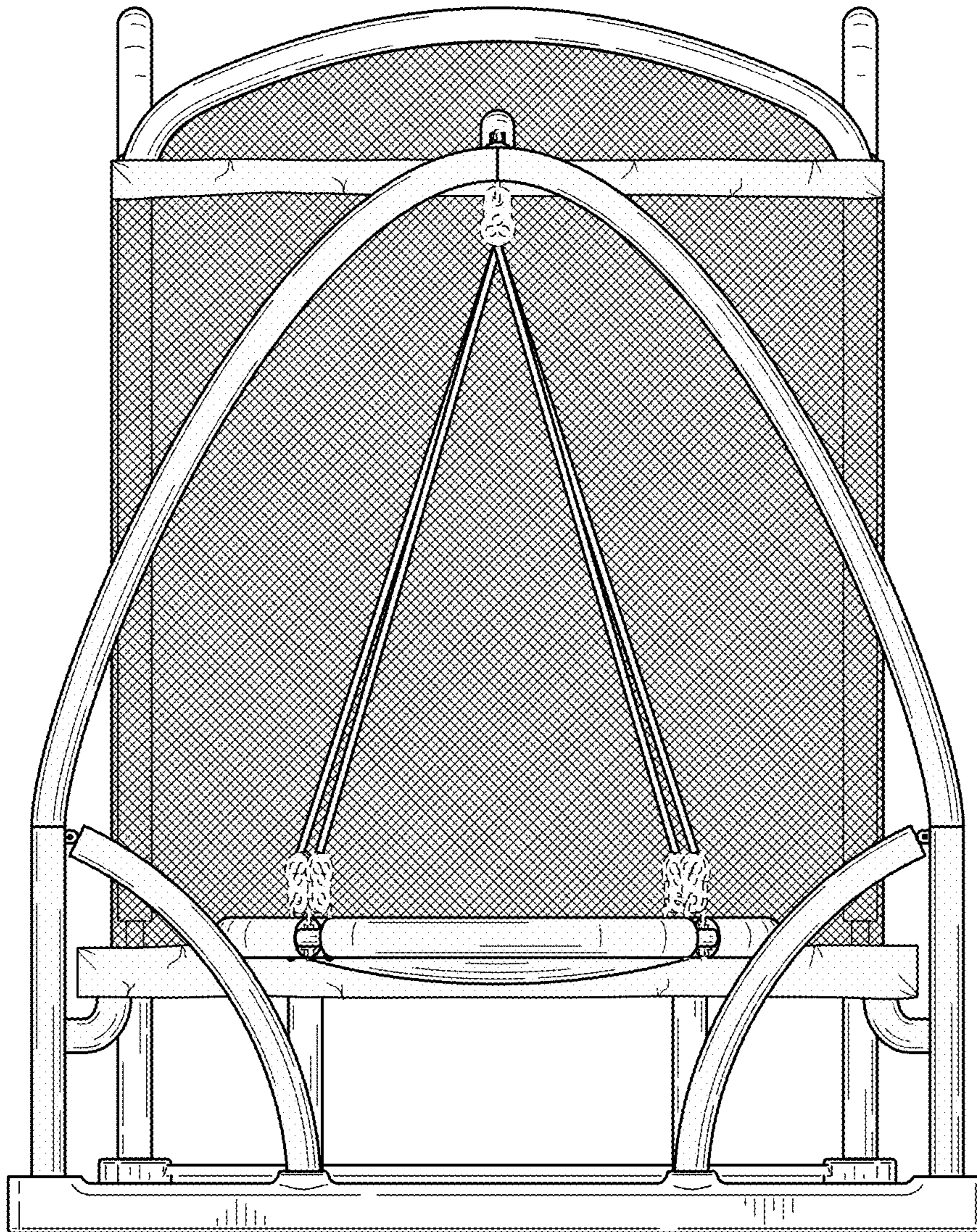


FIG. 4

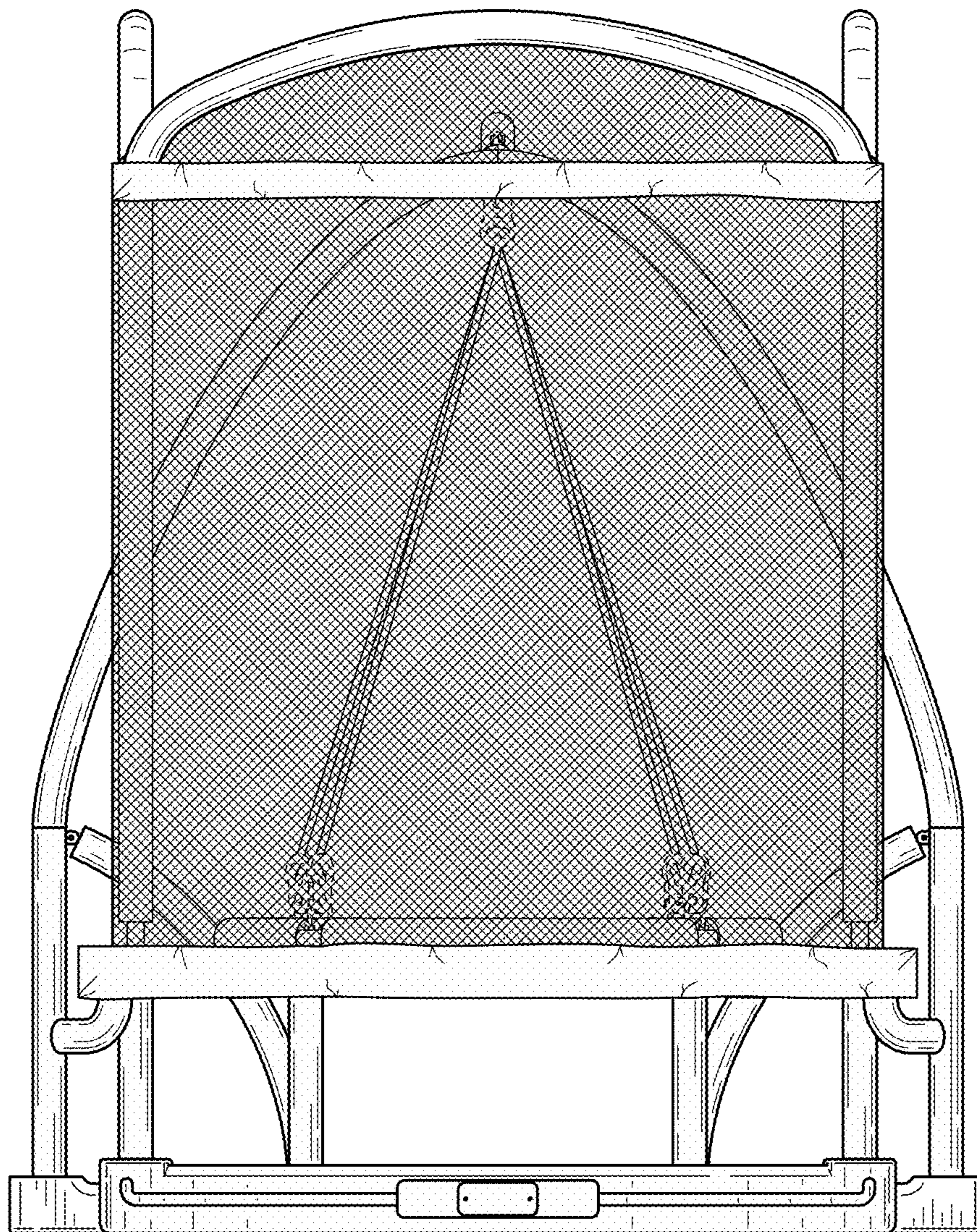


FIG. 5

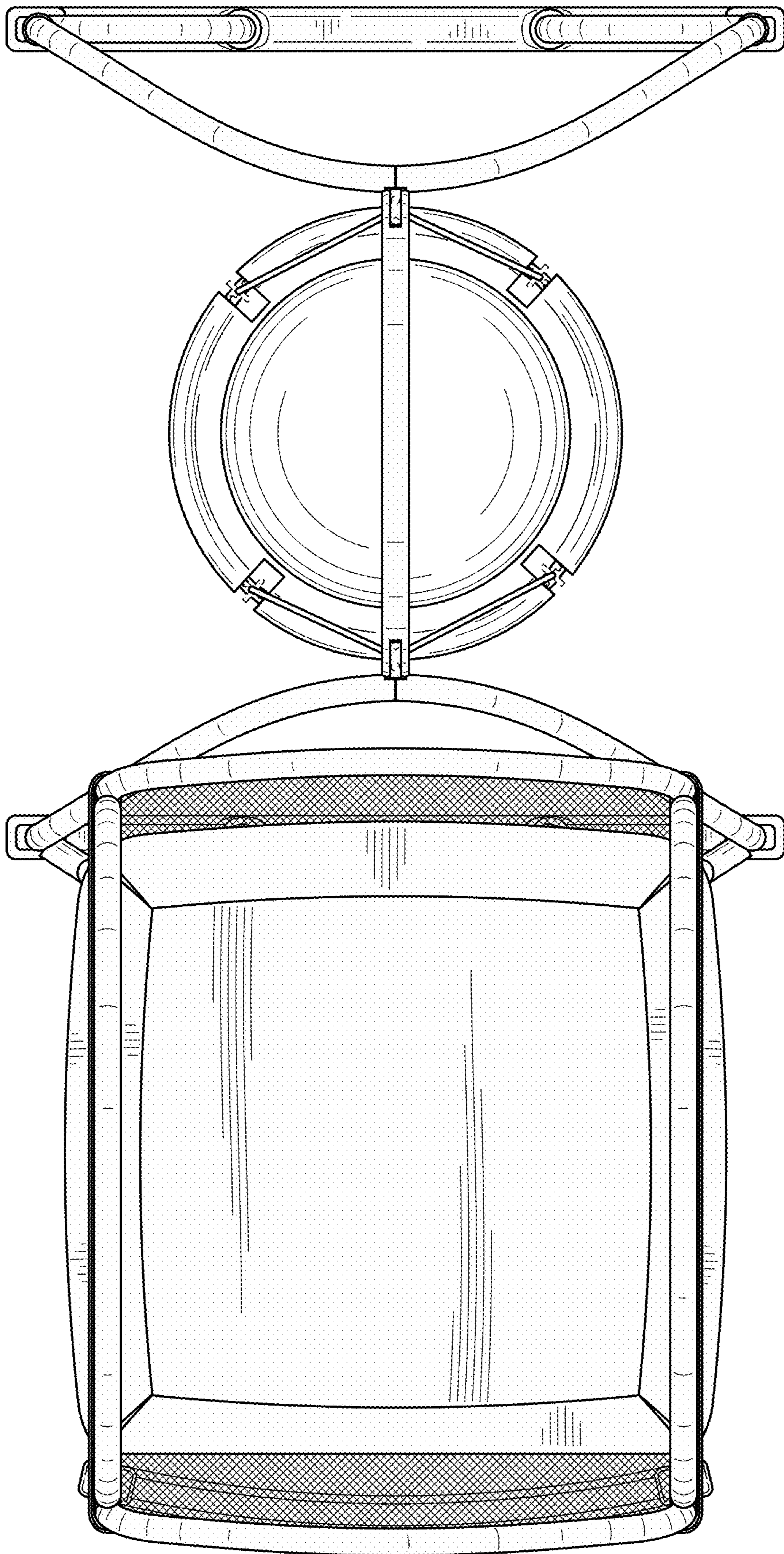


FIG. 6

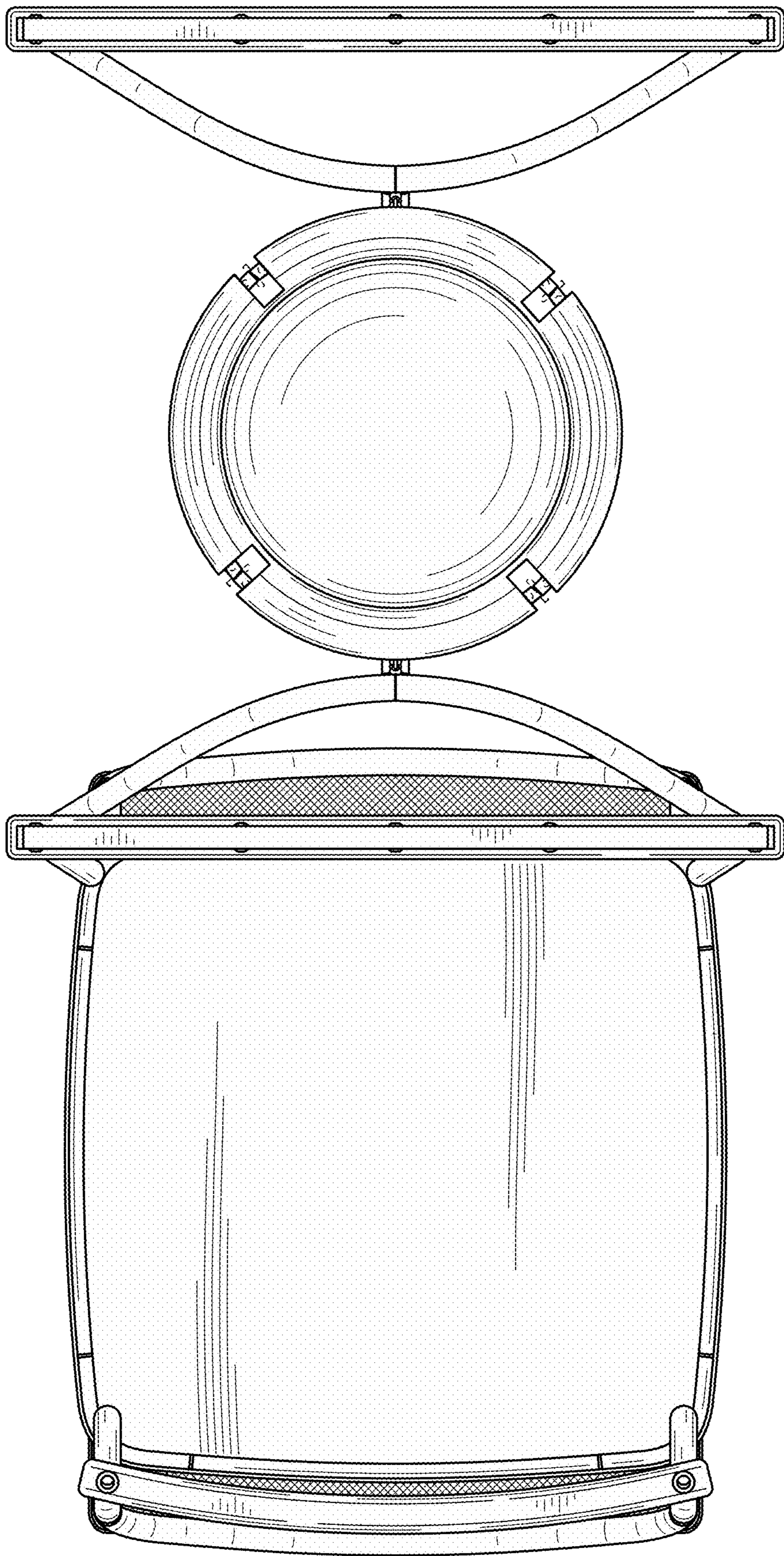


FIG. 7

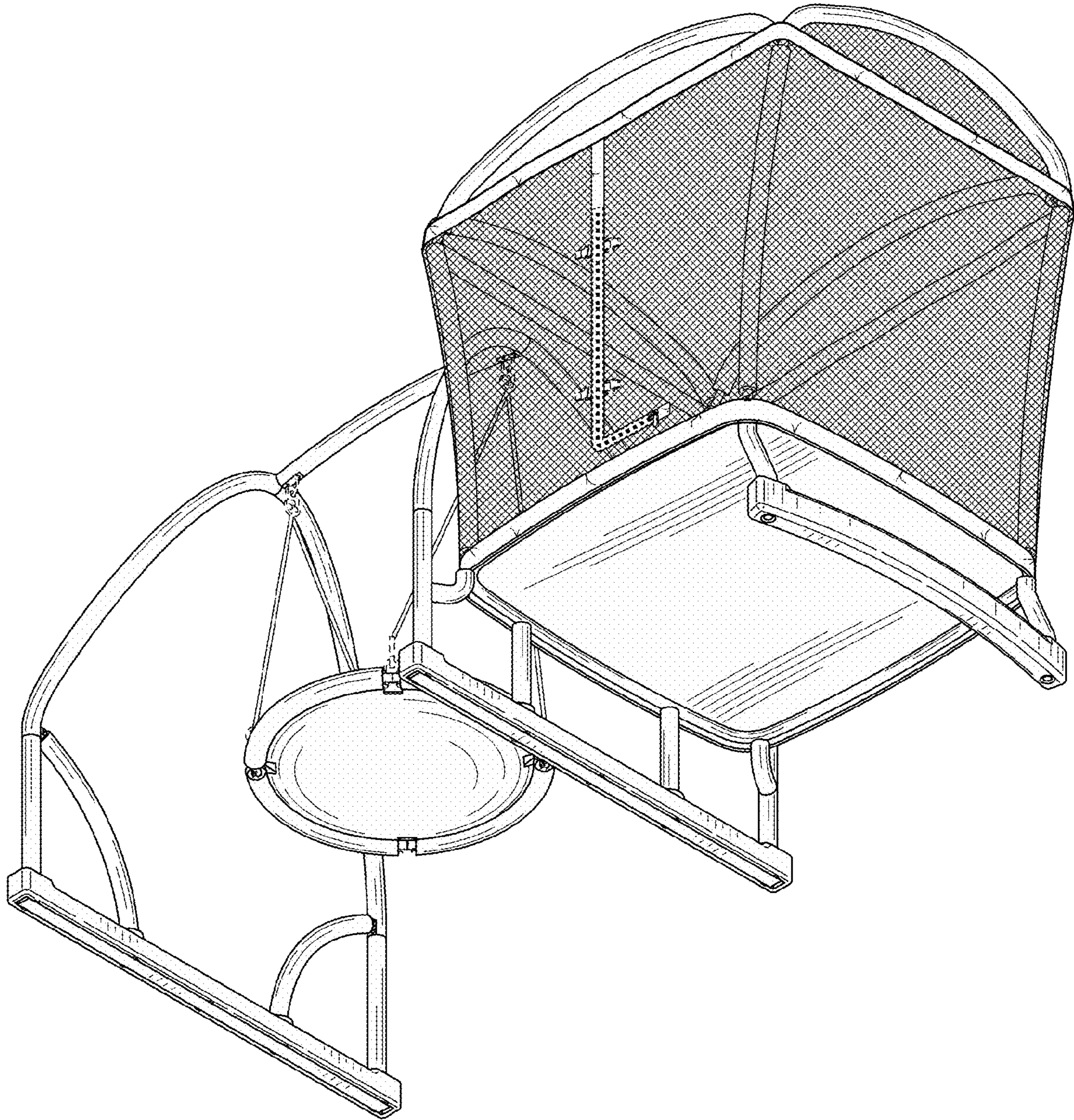


FIG. 8