



US00D891556S

(12) **United States Design Patent**
He

(10) **Patent No.:** **US D891,556 S**
(45) **Date of Patent:** **** Jul. 28, 2020**

(54) **FLOTATION APPARATUS FOR SWIMMING**

(71) Applicant: **Wu He**, Zhongshan (CN)

(72) Inventor: **Wu He**, Zhongshan (CN)

(73) Assignee: **Anbel Plastic Manufacturing Ltd.**,
Zhongshan (CN)

(**) Term: **15 Years**

(21) Appl. No.: **29/699,354**

(22) Filed: **Jul. 24, 2019**

(51) **LOC (12) Cl.** **21-01**

(52) **U.S. Cl.**
USPC **D21/808**

(58) **Field of Classification Search**
USPC D21/769-770, 801, 803, 808, 809;
D12/5, 6, 316; D6/392, 595, 596, 601,
D6/604, 605
CPC B63B 35/74; B63B 35/76; B63B 35/78;
B63B 35/79; B63B 35/7906; B63B
35/7909; B63B 35/7913; B63B 35/7916;
B63B 35/792; B63B 35/7923; B63B
35/7926; B63B 35/793
See application file for complete search history.

(56) **References Cited**

U.S. PATENT DOCUMENTS

6,881,114 B2 * 4/2005 Zheng B63B 7/08
441/129
D530,772 S * 10/2006 Peterson D21/809

D538,876 S * 3/2007 Peterson D21/803
D538,877 S * 3/2007 Peterson D21/803
D788,870 S * 6/2017 George, II D21/808
D817,599 S * 5/2018 Broderick D2/719
D834,676 S * 11/2018 Hsu D21/808
D837,326 S * 1/2019 Chin D21/804
D847,929 S * 5/2019 Chin Gerding D21/803

* cited by examiner

Primary Examiner — Zenia I Bennett

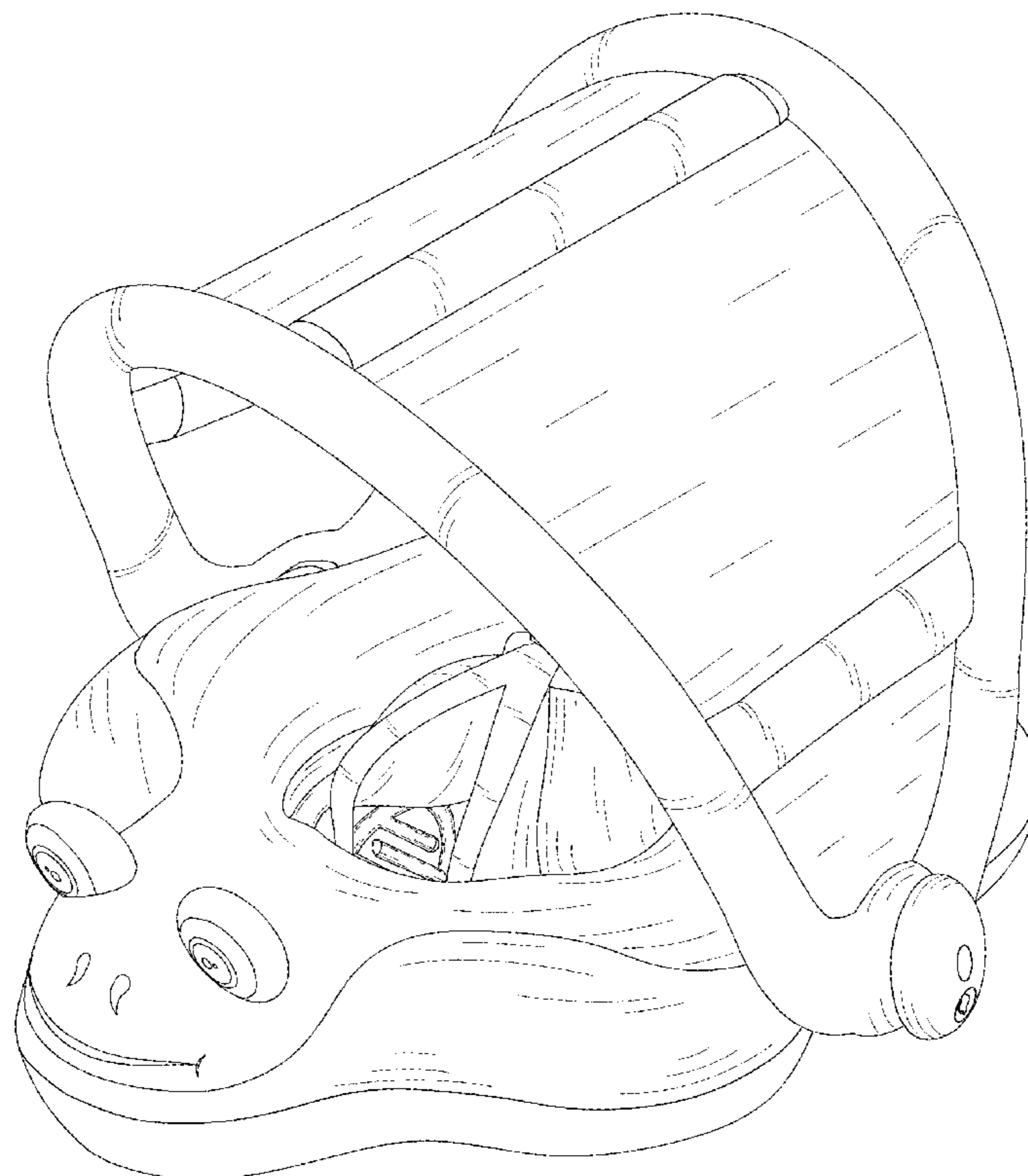
(57) **CLAIM**

The ornamental design for a flotation apparatus for swimming, as shown and described.

DESCRIPTION

FIG. 1 is a front, top perspective view of the flotation apparatus for swimming showing my new design; FIG. 2 is a front, bottom perspective view thereof; FIG. 3 is a front elevational view thereof; FIG. 4 is a rear elevational view thereof; FIG. 5 is a left side elevational view thereof; FIG. 6 is a right side elevational view thereof; FIG. 7 is a top plan view thereof; and, FIG. 8 is a bottom plan view thereof.

1 Claim, 8 Drawing Sheets



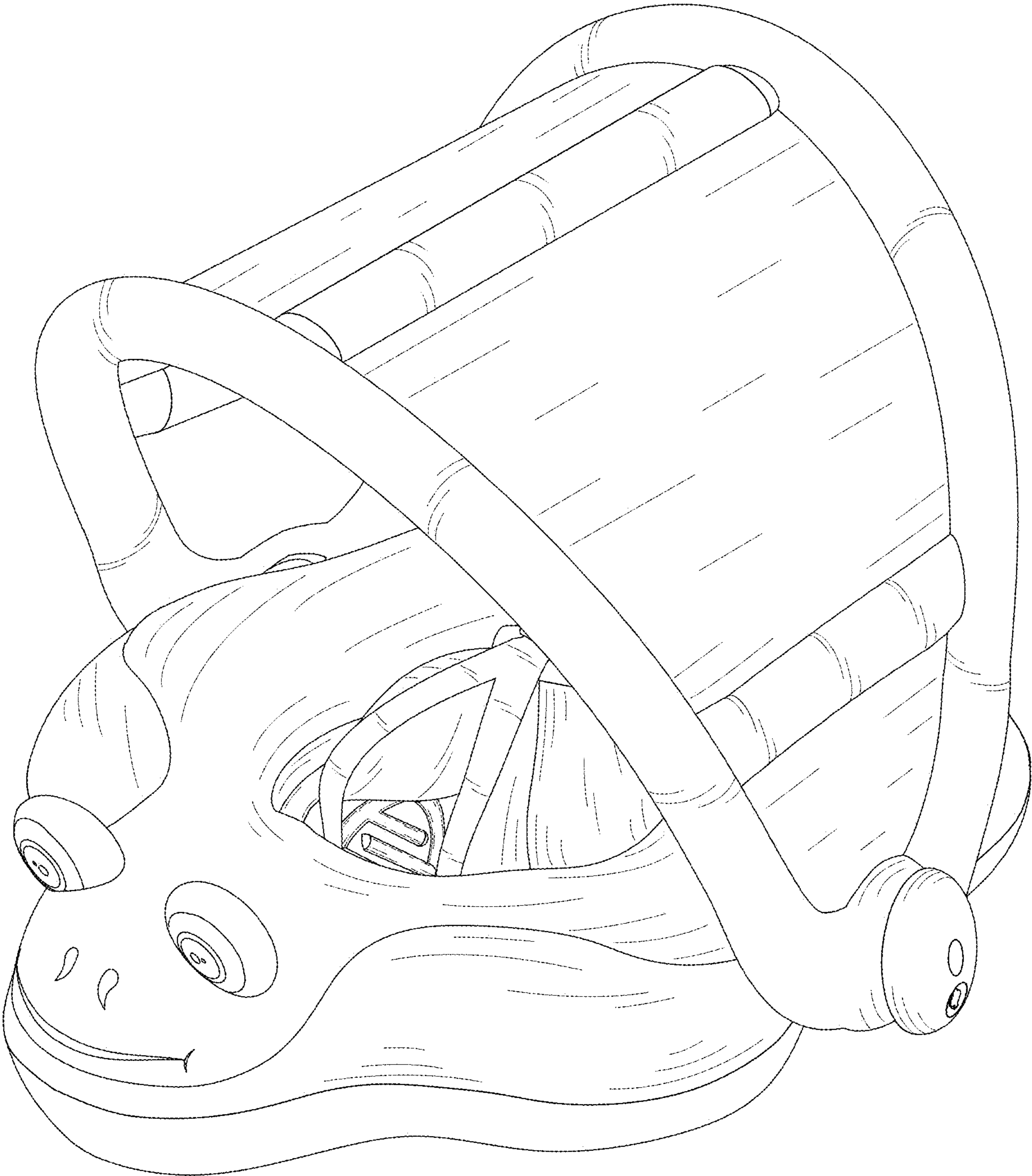


FIG. 1

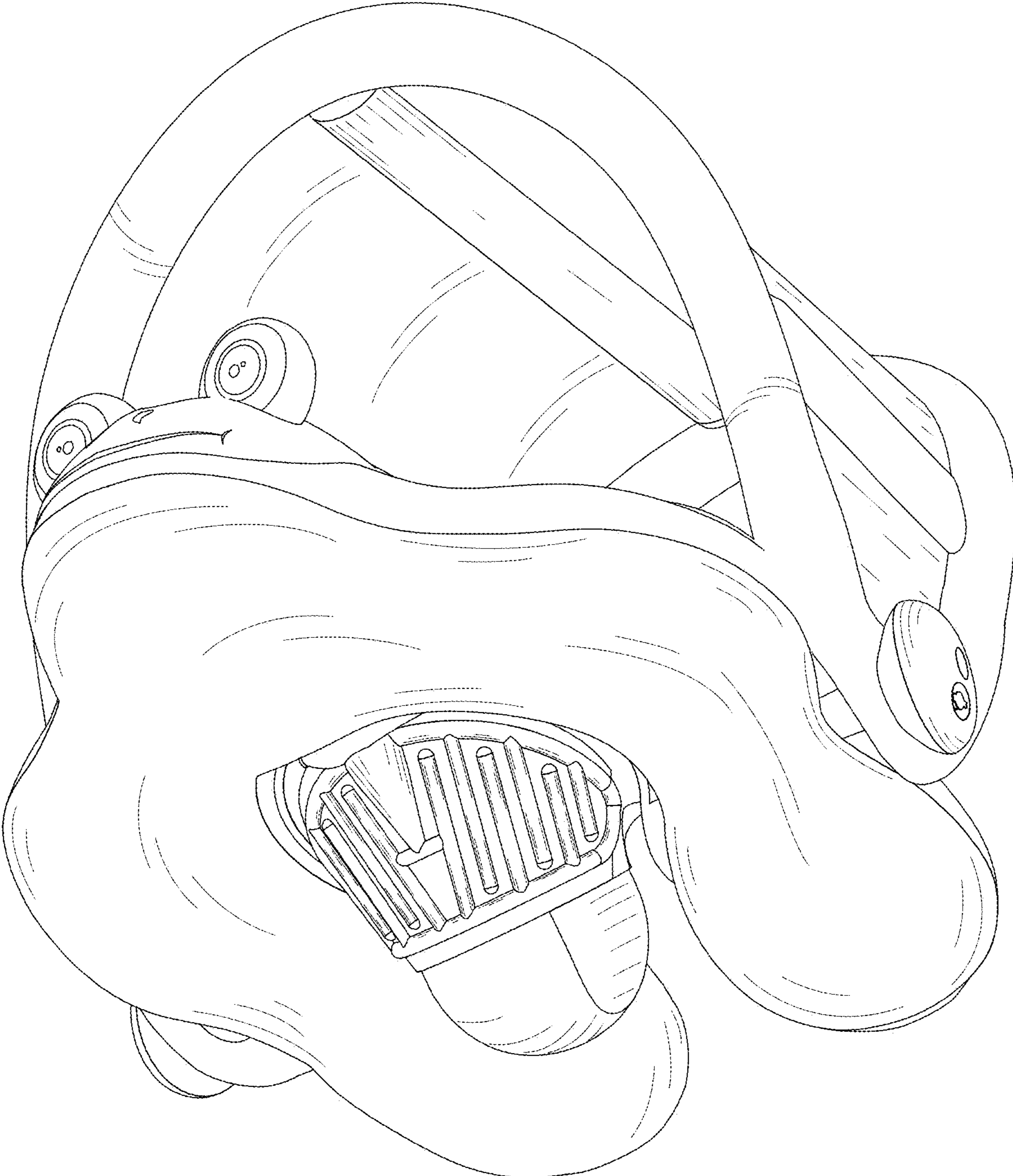


FIG.2

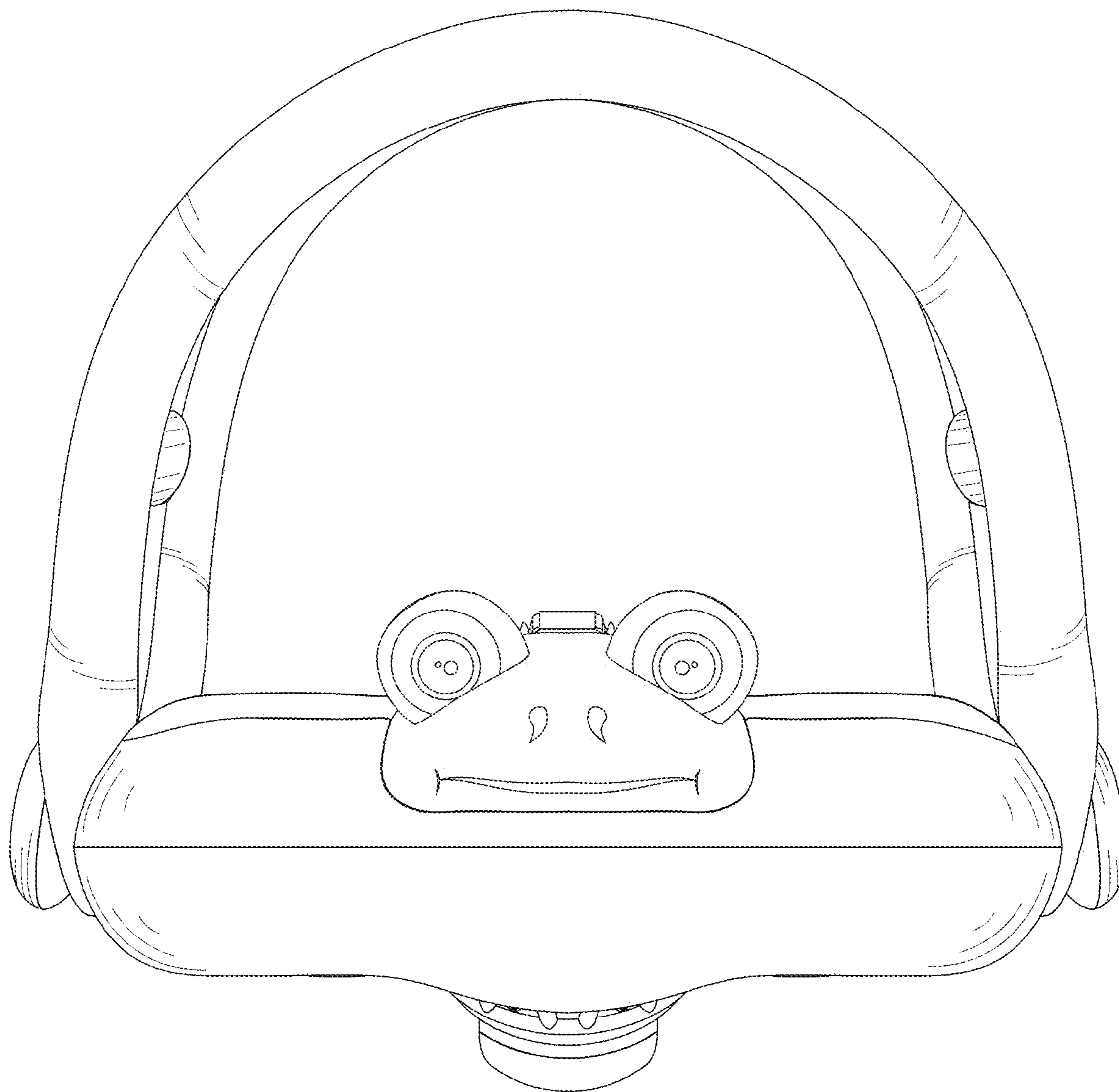


FIG.3

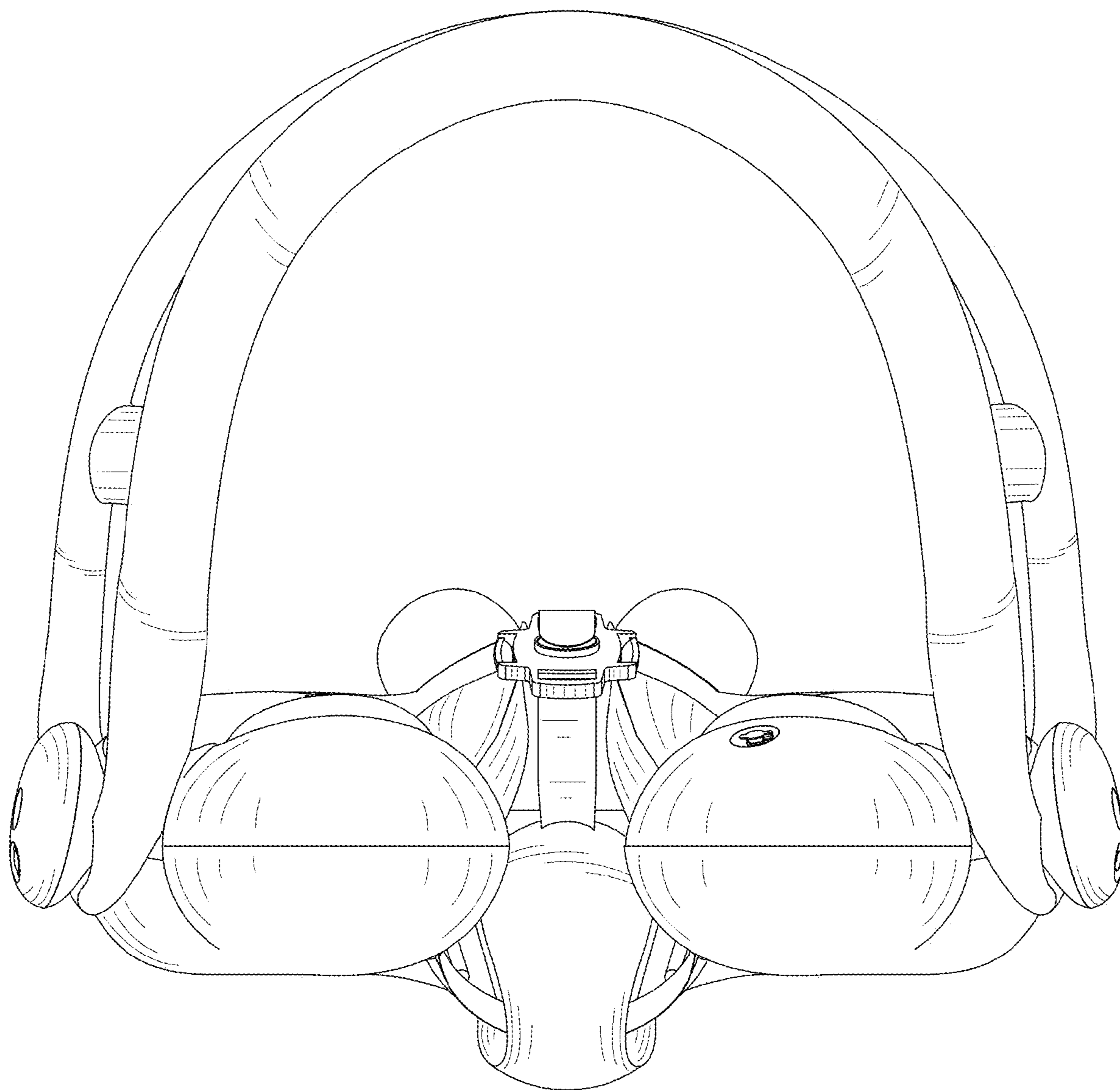


FIG.4

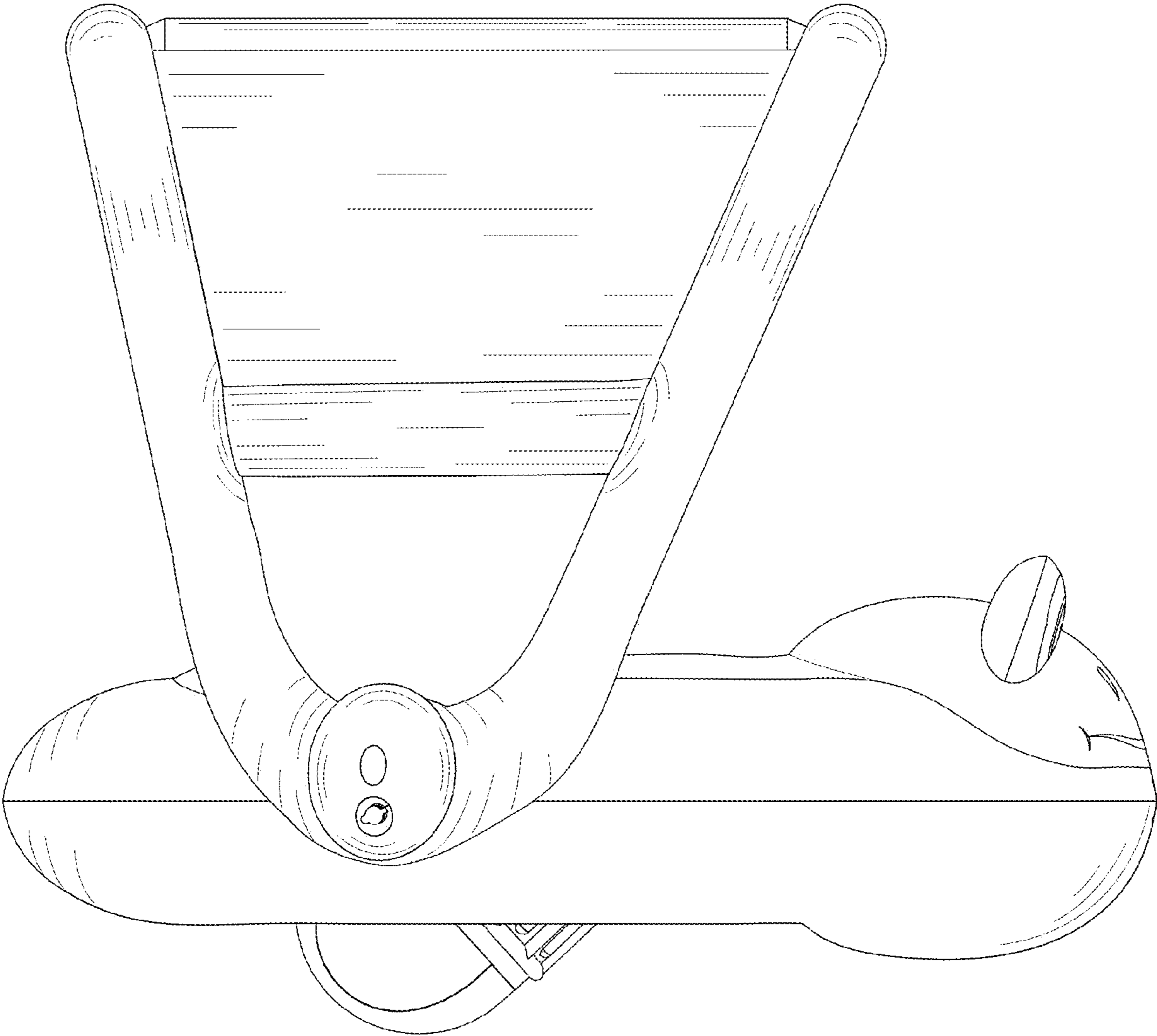


FIG. 5

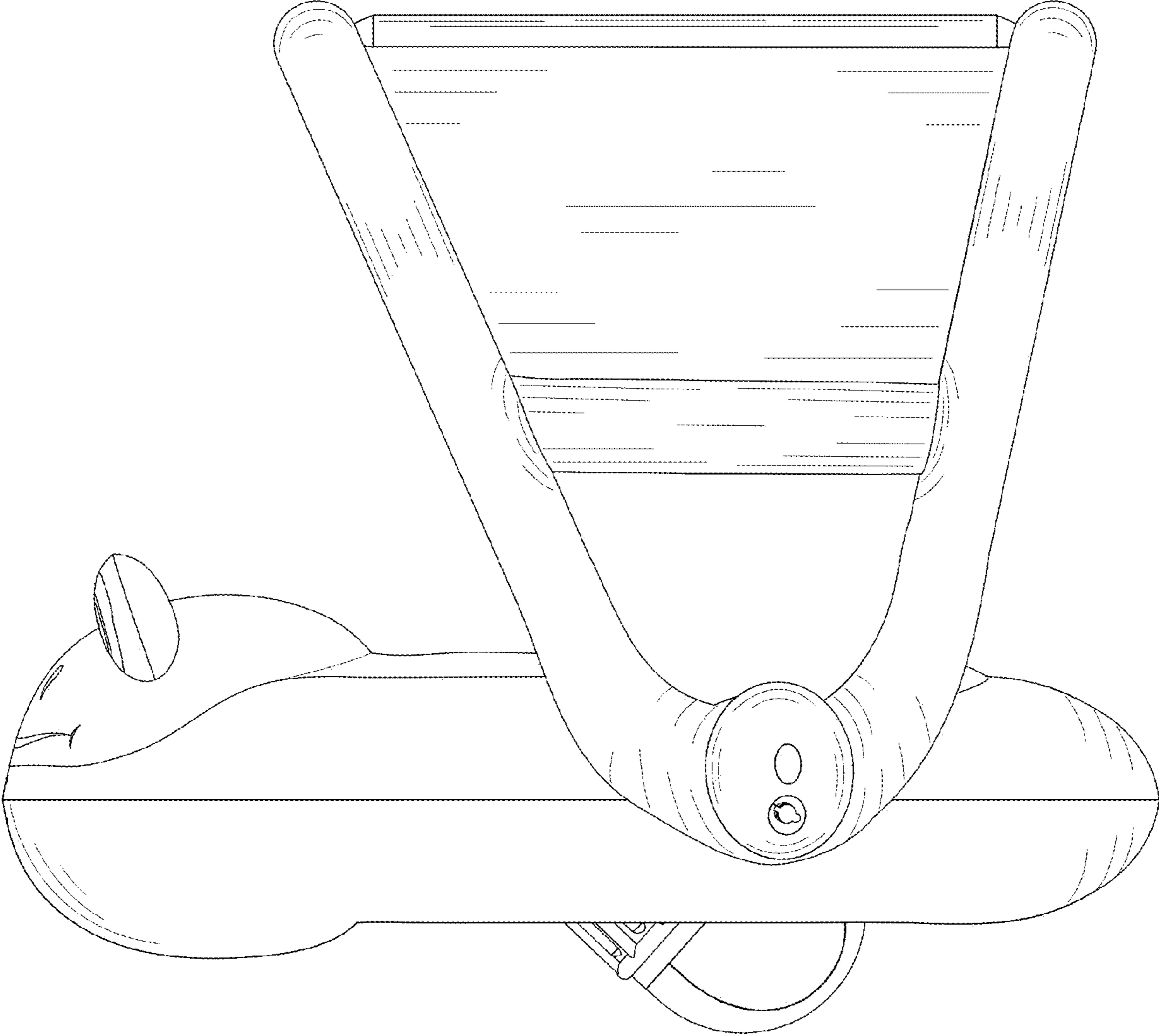


FIG.6

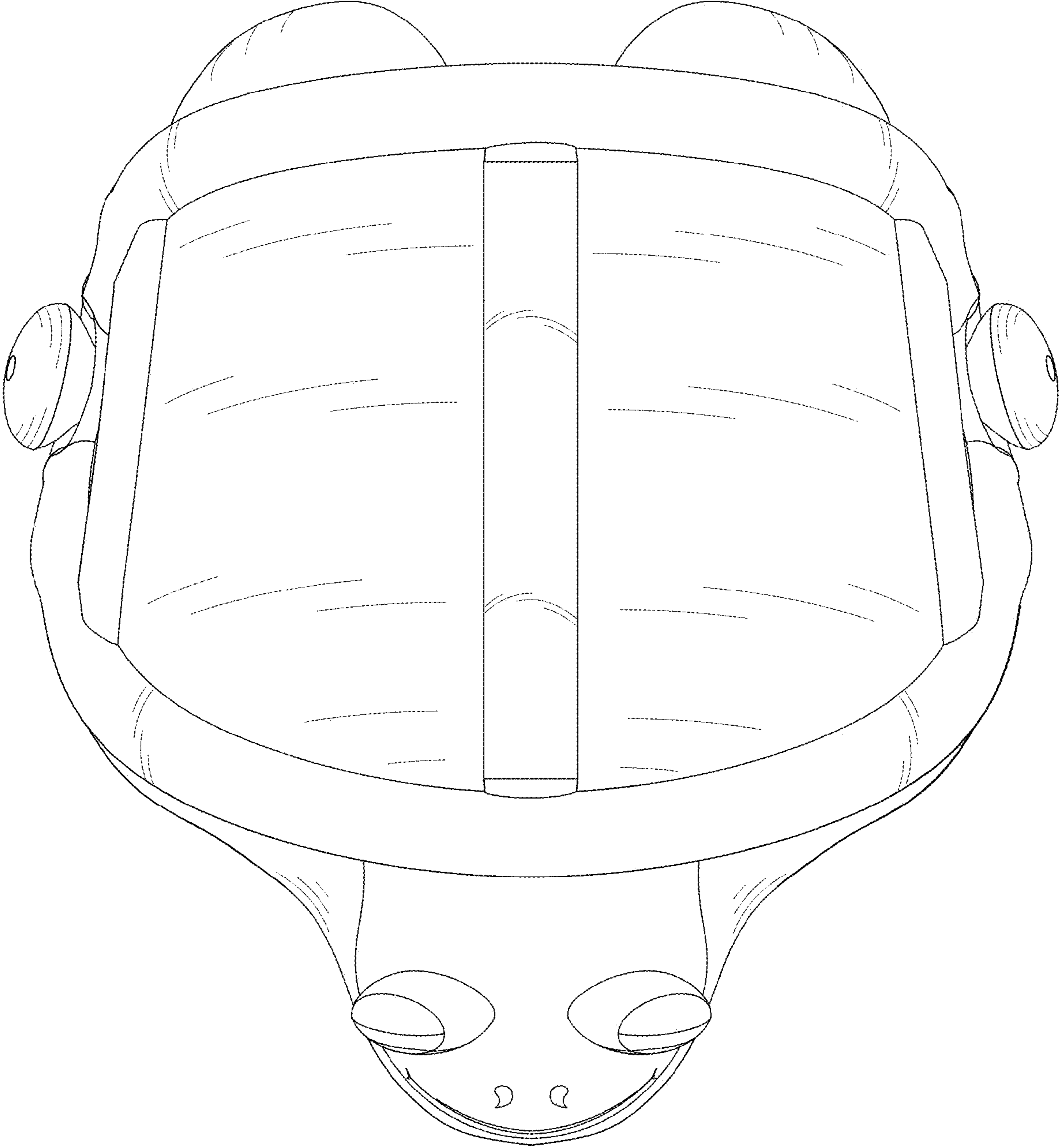


FIG.7

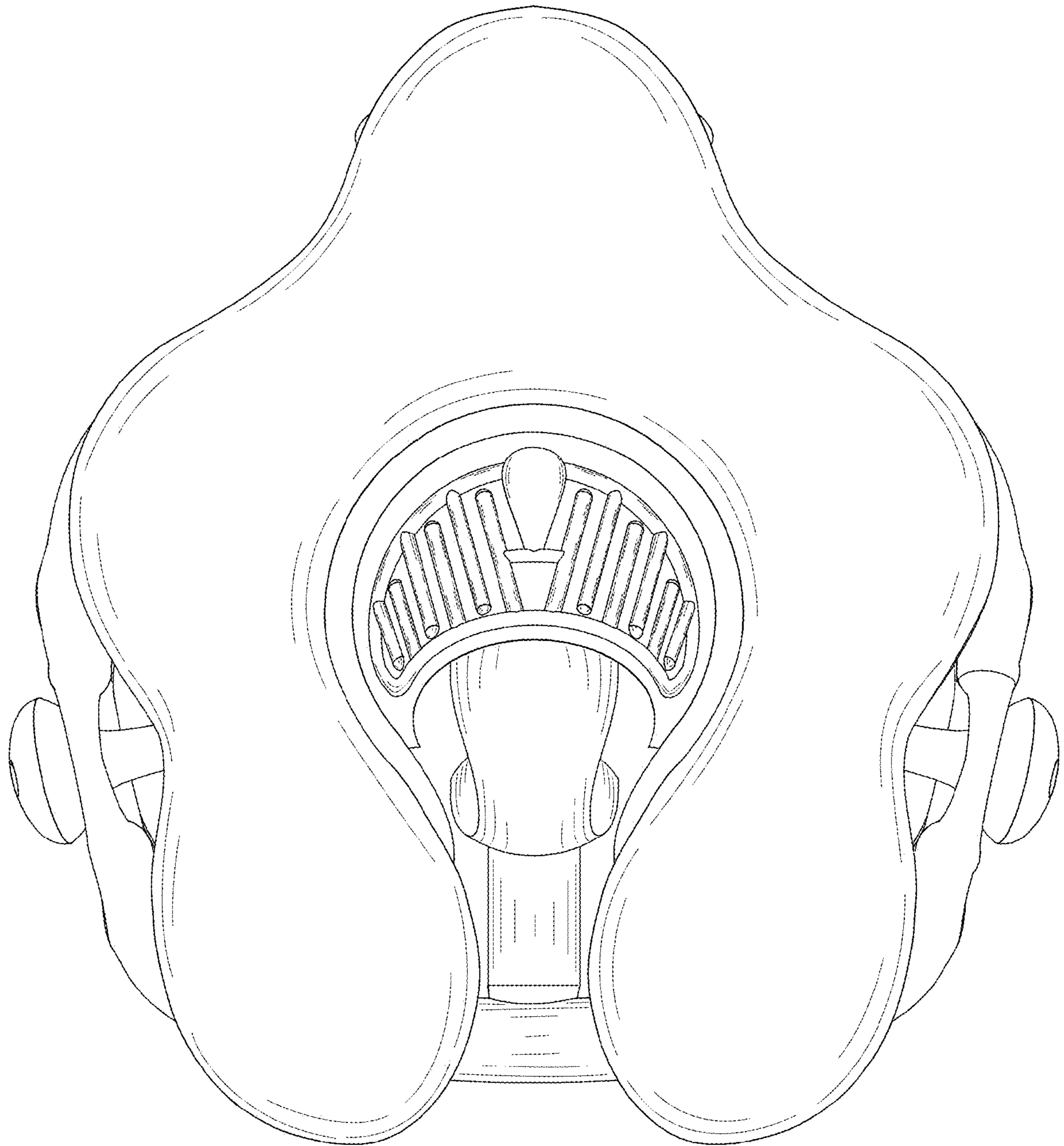


FIG.8