



US00D891553S

(12) **United States Design Patent**
Clift

(10) **Patent No.:** **US D891,553 S**

(45) **Date of Patent:** **** Jul. 28, 2020**

- (54) **PUTTING MIRROR WITH GUIDES**
- (71) Applicant: **THEREFORE LIMITED**, London (GB)
- (72) Inventor: **Andrew John Clift**, London (GB)
- (73) Assignee: **THEREFORE LIMITED**, London (GB)

- 5,348,304 A * 9/1994 Meade A63B 24/0003
359/871
- 5,362,057 A * 11/1994 Arima A63B 69/3676
473/265
- 5,443,265 A * 8/1995 Wheeler A63B 69/3676
473/257
- D365,619 S * 12/1995 Foster D21/792
- D366,302 S * 1/1996 Marsh D21/792

(Continued)

- (**) Term: **15 Years**
- (21) Appl. No.: **29/675,749**
- (22) Filed: **Jan. 4, 2019**

OTHER PUBLICATIONS

Pelz Golf, "Dave Pelz's Shoulder Alignment Mirror," web page, last accessed Dec. 27, 2018, available at https://www.pelzgolf.com/dave_pelz_golf_pro_shop/_PelzLearningAids.aspx?aid=6.

(Continued)

- (30) **Foreign Application Priority Data**
- Dec. 12, 2018 (EM) 005888013-0001
- (51) **LOC (12) Cl.** **21-02**
- (52) **U.S. Cl.**
- USPC **D21/791**
- (58) **Field of Classification Search**
- USPC D21/789, 791, 792
- CPC . A63B 69/3641; A63B 69/36; A63B 69/3608;
A63B 69/3676; A63B 69/3661; A63B
69/3667; A63B 69/3697
- See application file for complete search history.

Primary Examiner — Mitchell I. Siegel
(74) *Attorney, Agent, or Firm* — Andrus Intellectual Property Law, LLP

(57) **CLAIM**

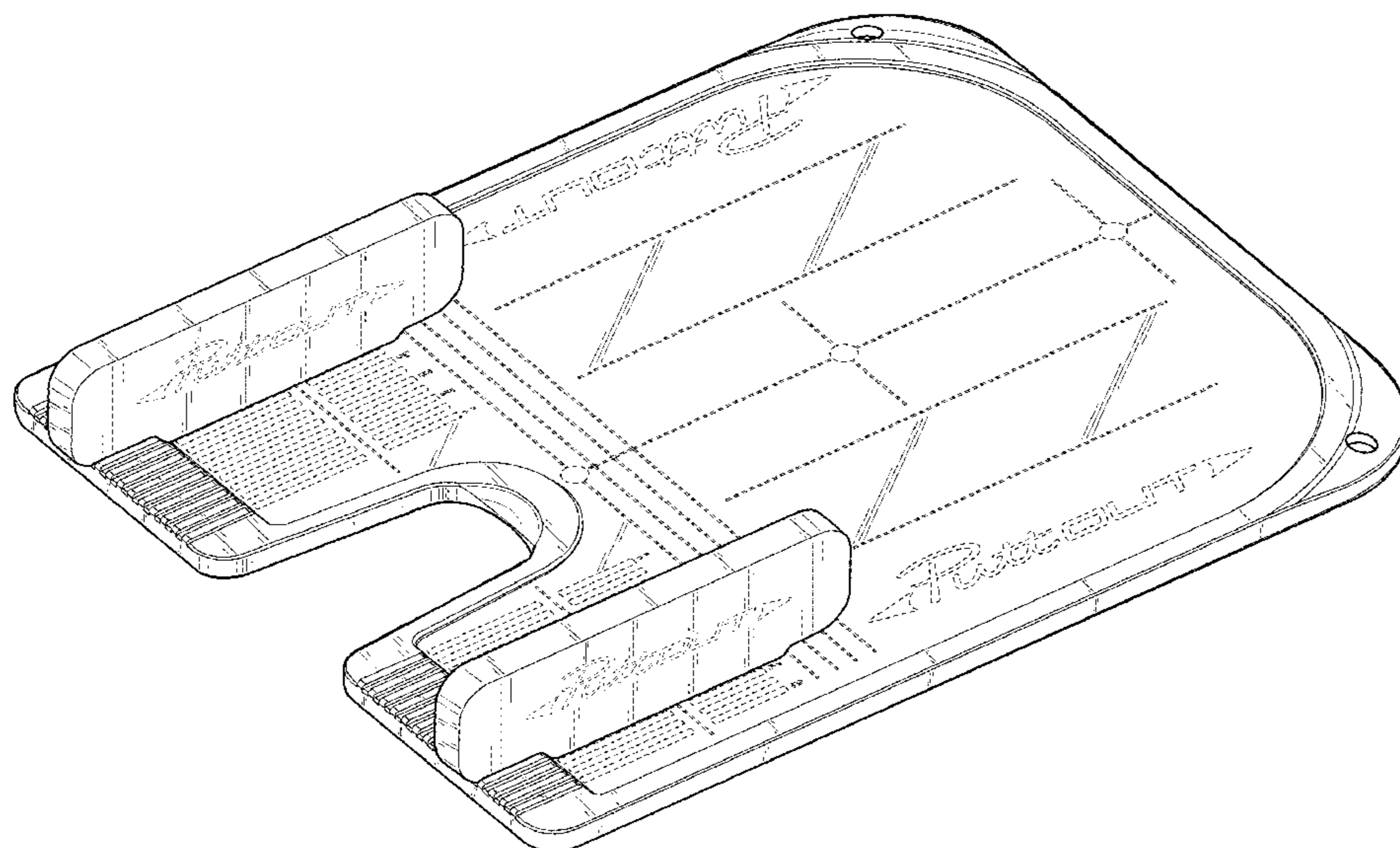
The ornamental design for a putting mirror with guides, as shown and described.

DESCRIPTION

FIG. 1 is a perspective view of a putting mirror with guides according to my new and ornamental design;
FIG. 2 is an alternative perspective view thereof, showing the guides in an alternative position;
FIG. 3 is a left side elevation view thereof, wherein the right side elevation view thereof is a mirror image;
FIG. 4 is an exploded top plan view thereof;
FIG. 5 is a perspective view of FIG. 4;
FIG. 6 is a bottom plan view of FIG. 4;
FIG. 7 is an exploded front elevational view of FIG. 1; and, FIG. 8 is a rear elevational view of FIG. 7.
The broken lines illustrate portions of the putting mirror with guides that form no part of the claim.

- (56) **References Cited**
- U.S. PATENT DOCUMENTS
- D237,633 S * 11/1975 Weber D21/790
- 3,934,882 A * 1/1976 Whittaker A63B 24/0003
473/257
- D249,077 S * 8/1978 Friskel D19/59
- 5,205,559 A * 4/1993 Plopper A63B 63/00
273/127 B
- D338,940 S * 8/1993 Pellington D21/792
- 5,275,570 A * 1/1994 Hicks A63B 69/3667
434/252
- 5,294,124 A * 3/1994 Florian A63B 24/0003
359/838

1 Claim, 8 Drawing Sheets



(56)

References Cited

U.S. PATENT DOCUMENTS

D385,610	S *	10/1997	McDonald	D21/790
D427,267	S *	6/2000	Laperle	D21/791
D436,639	S *	1/2001	Haliyo	D21/791
D446,276	S *	8/2001	Bankhead	D21/791
D460,139	S *	7/2002	Bradbury	D21/792
D487,296	S *	3/2004	Lister	D21/791
6,840,870	B1 *	1/2005	Froggatte	A63B 24/0003 473/261
D508,547	S *	8/2005	Llewellyn	D21/791
D536,404	S *	2/2007	Lister	D21/791
D568,432	S *	5/2008	Rubino	D21/790
7,614,961	B2 *	11/2009	Schmutz	A63B 24/0003 473/257
D632,750	S *	2/2011	Callowhill	D21/791
D641,448	S *	7/2011	Sessions	D21/791
D670,348	S *	11/2012	Jacobson	D21/791
D692,512	S *	10/2013	Fanfelle	D21/791
D717,898	S *	11/2014	Pfaff	D21/791
D732,130	S *	6/2015	Covino	D21/791
9,089,757	B2 *	7/2015	O'Donovan	A63B 69/3641
D760,855	S *	7/2016	Enter	D21/791
D859,555	S *	9/2019	Freund	A63B 69/3676 D21/791

OTHER PUBLICATIONS

Harold Swash Putting, "Visio Putting Training Aids," web page, last accessed Dec. 27, 2018, available at <https://www.haroldswashputting.co.uk/products/visio>.

Sklz, "Putt Gate," web page, last accessed Dec. 28, 2018, available at <http://www.sklz.com/golf/putt-gate/GLF-PUTSL-004.html?cgid=golf>.

Eyeline Golf, "Classic EyeLine Putting Mirror (Large) With Indoor Putting Gate Post 4-Pack," web page, last accessed Dec. 28, 2018, available at <https://eyelinegolf.com/collections/putting-aids/products/eyeline-putting-mirror?variant=222731848>.

Eyeline Golf, "Putting Alignment Mirror (Small) With Indoor Pulling Gate Post 4-Pack," web page, last accessed Dec. 28, 2018, available at <https://eyelinegolf.com/collections/putting-aids/products/putting-alignment-mirror?variant=8019895058462>.

Eyeline Golf, "EDGE Putting Mirror," web page, last accessed Dec. 28, 2018, available at <https://eyelinegolf.com/collections/putting-aids/products/edge-putting-mirror>.

* cited by examiner

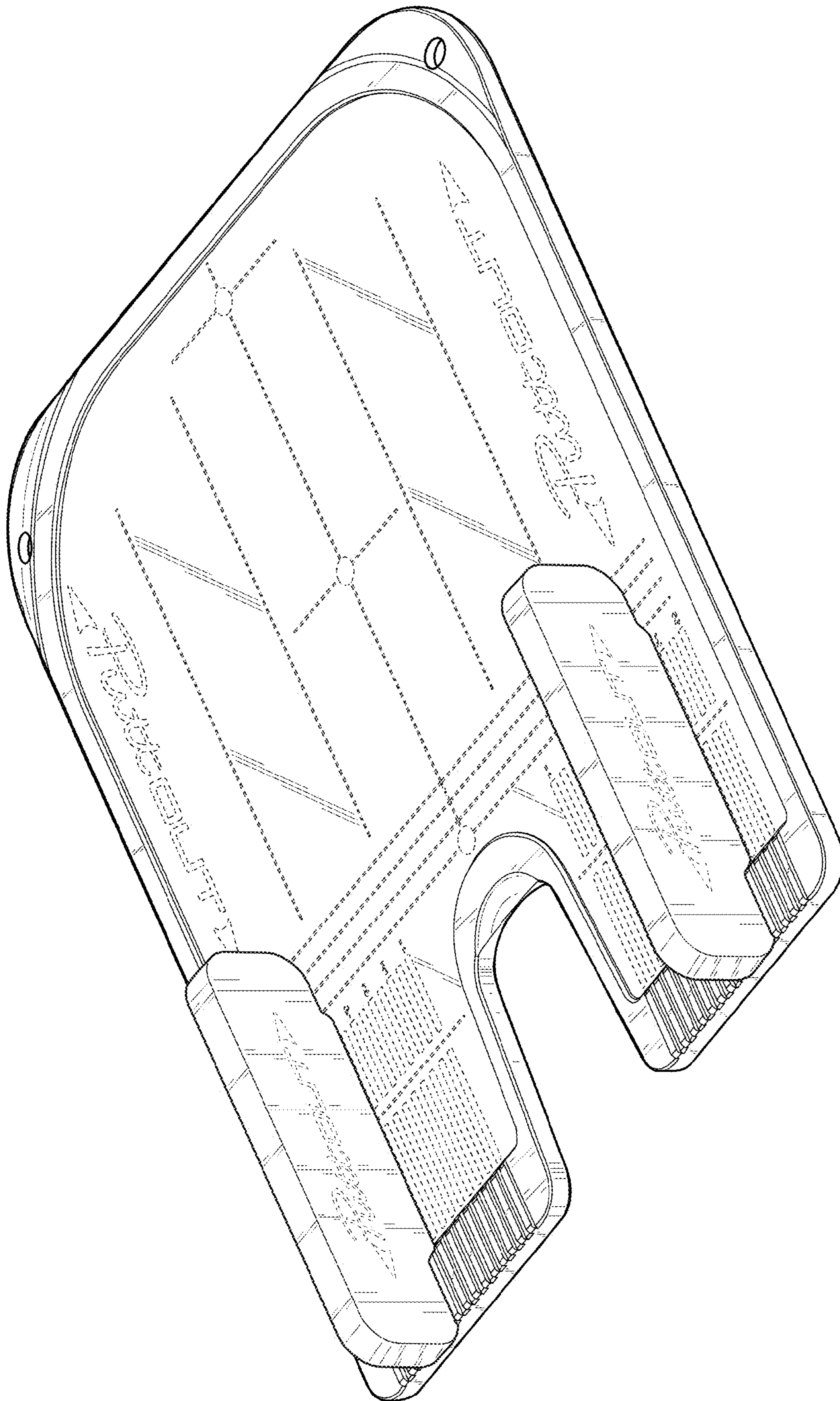


FIG. 1

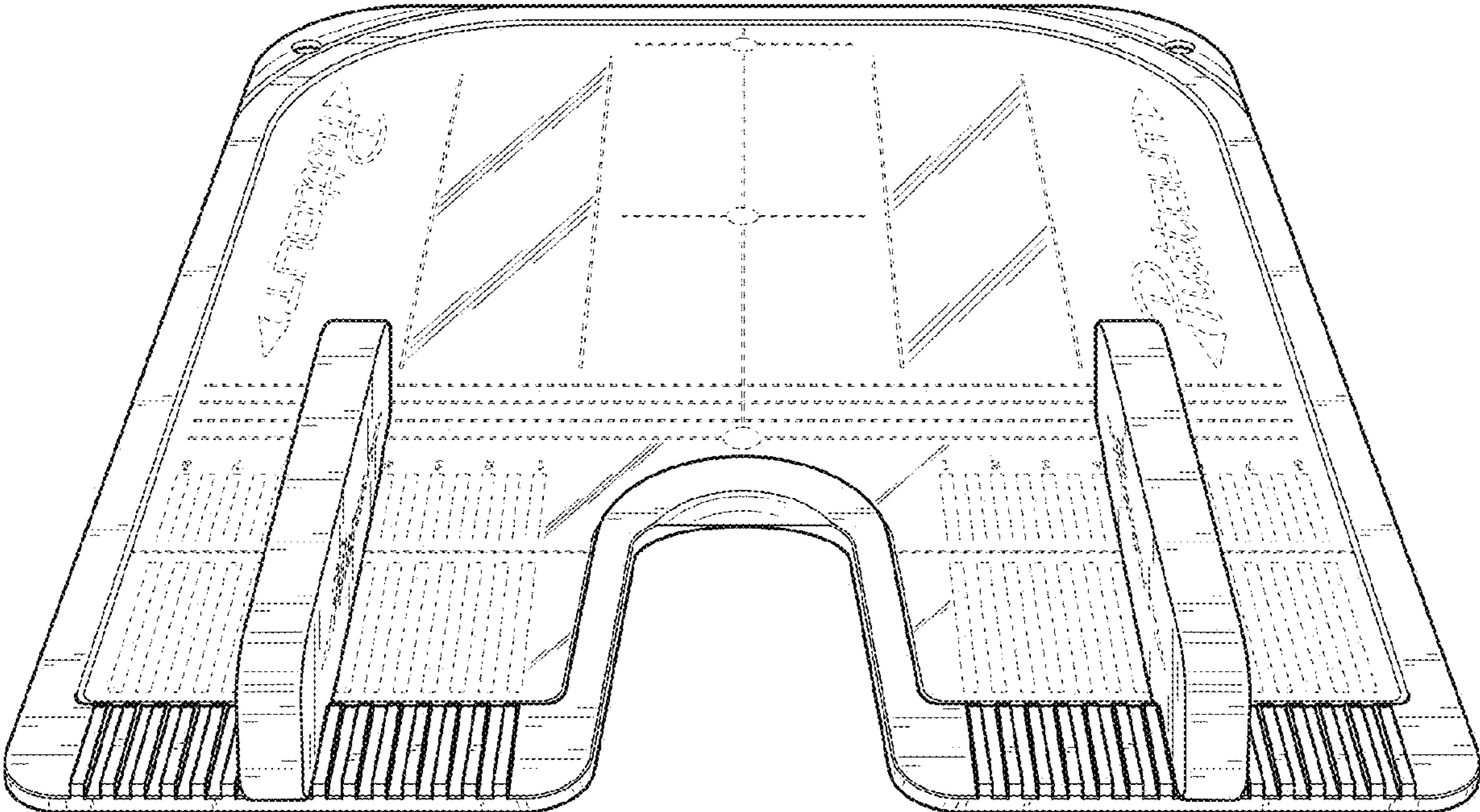


FIG. 2

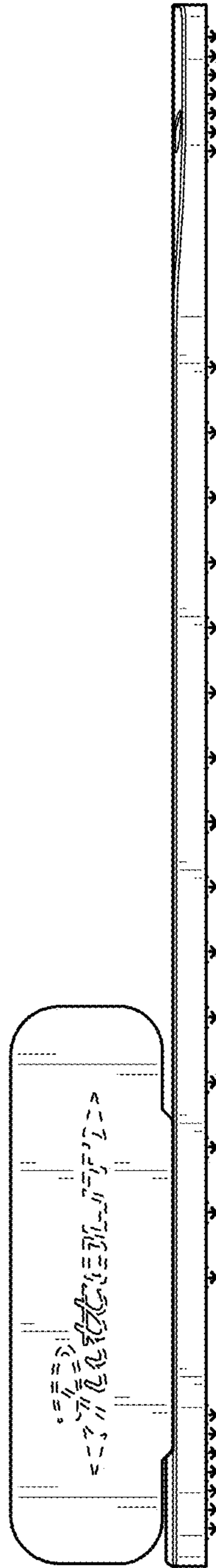


FIG. 3

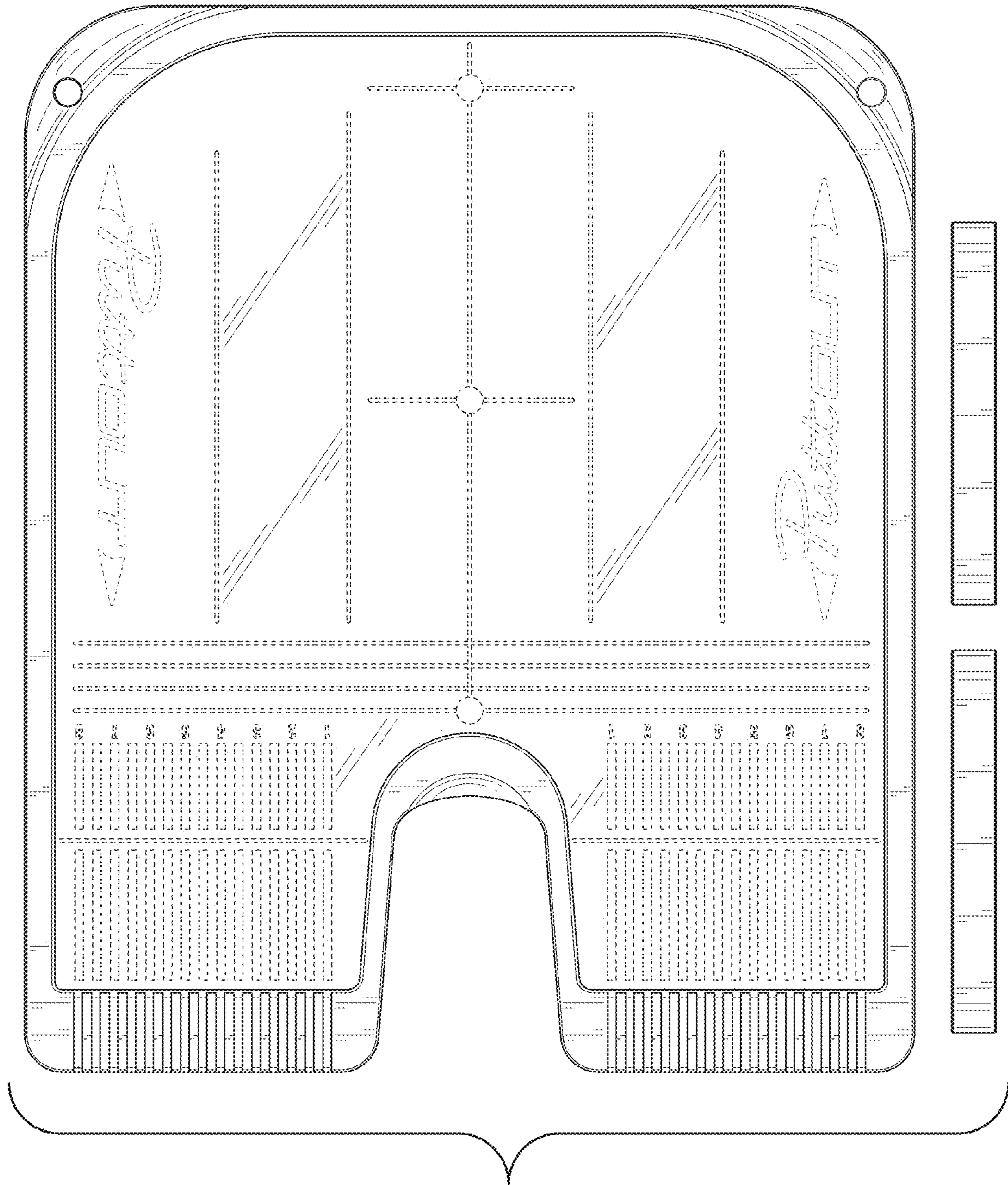


FIG. 4

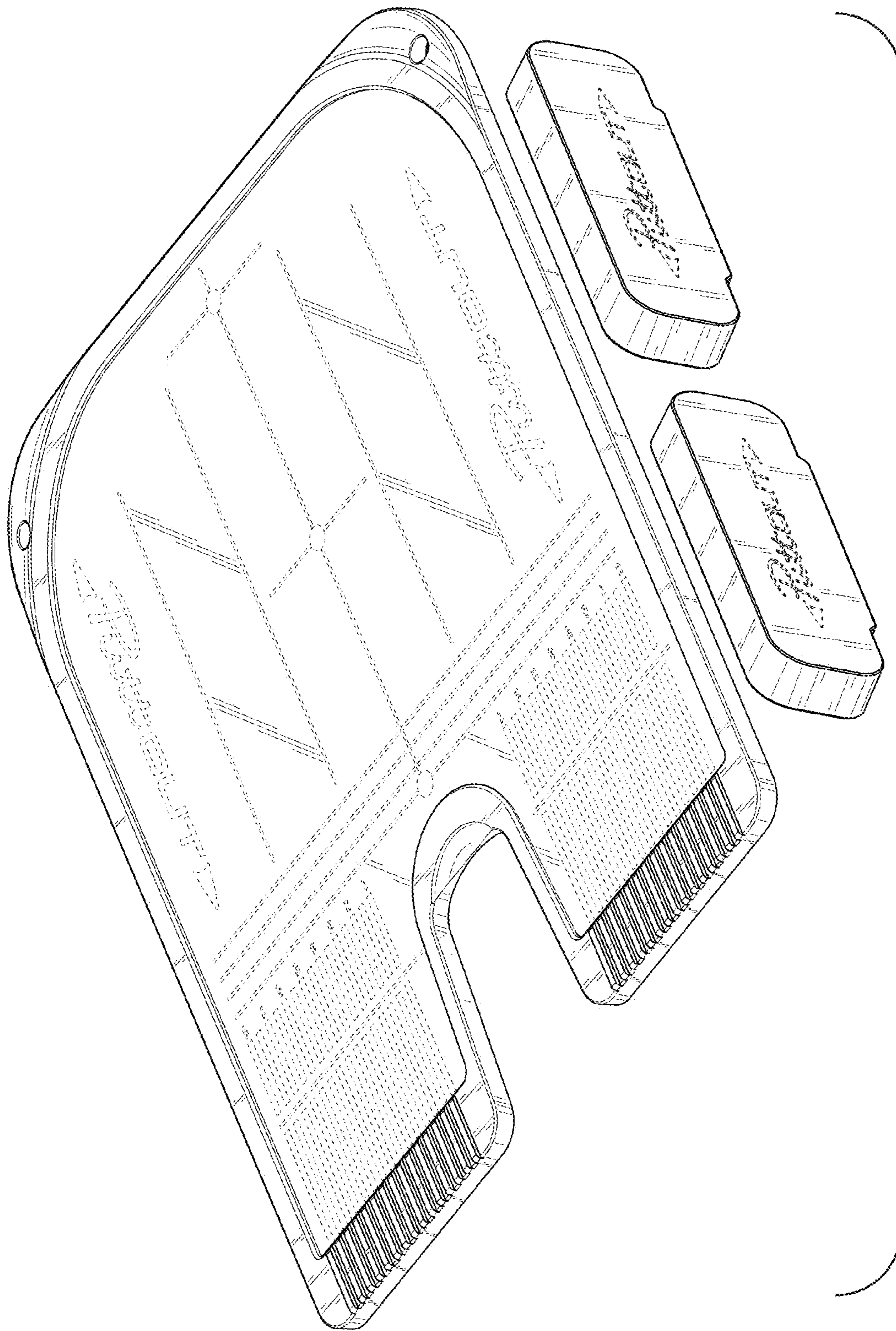


FIG. 5

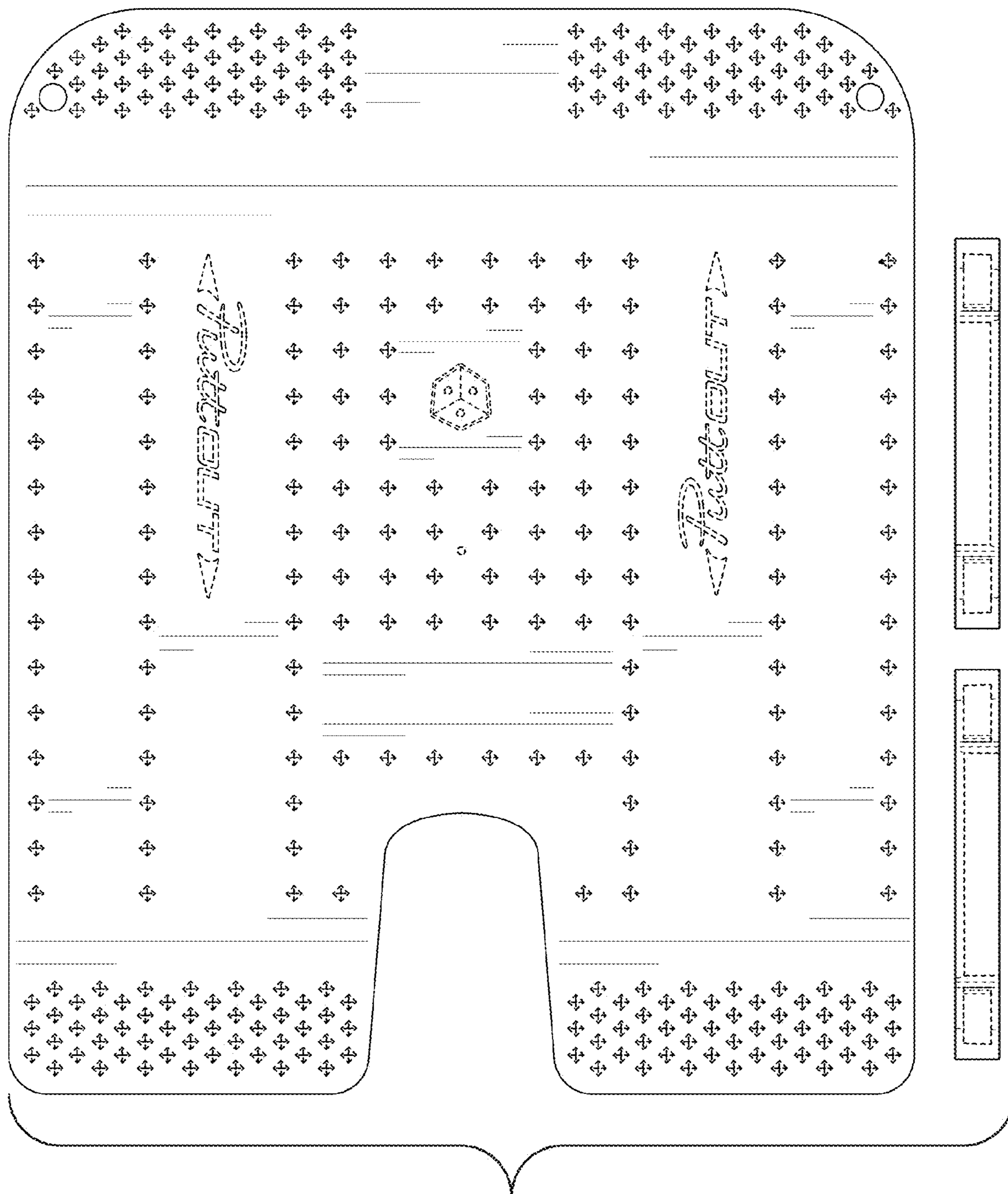


FIG. 6

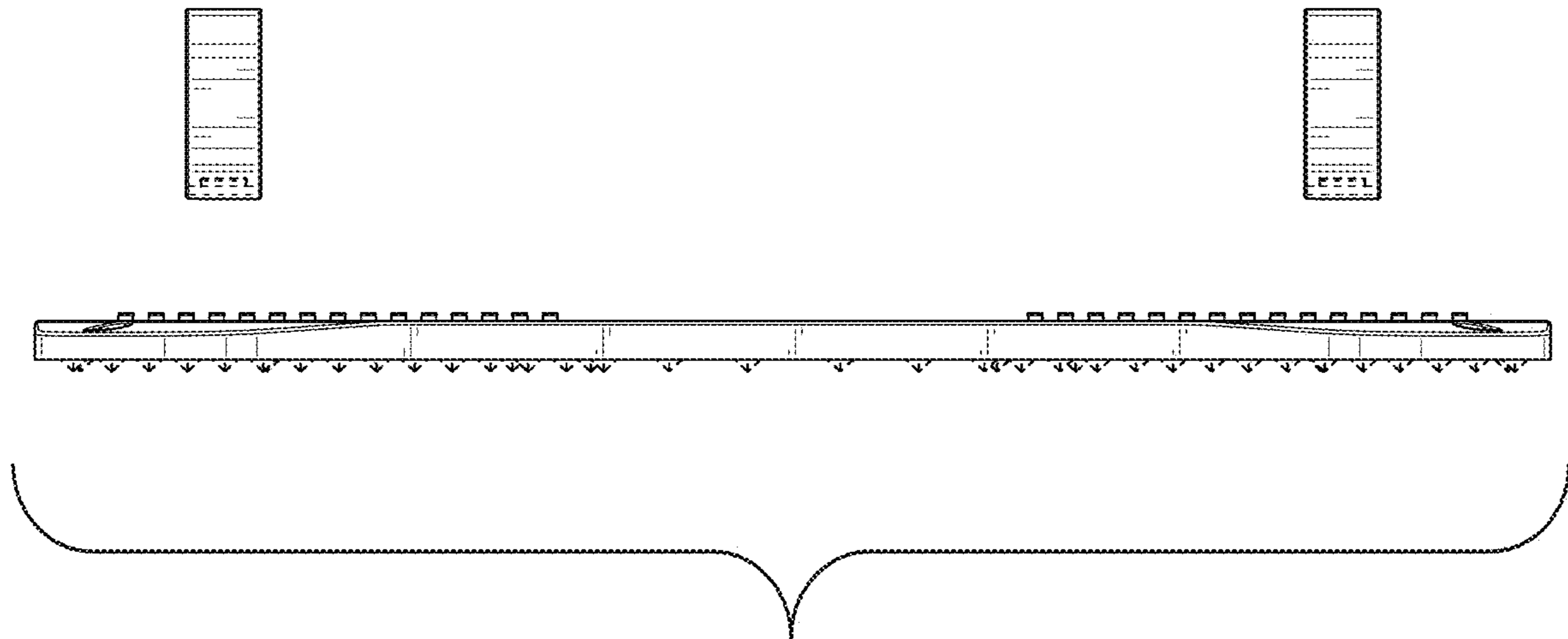


FIG. 7

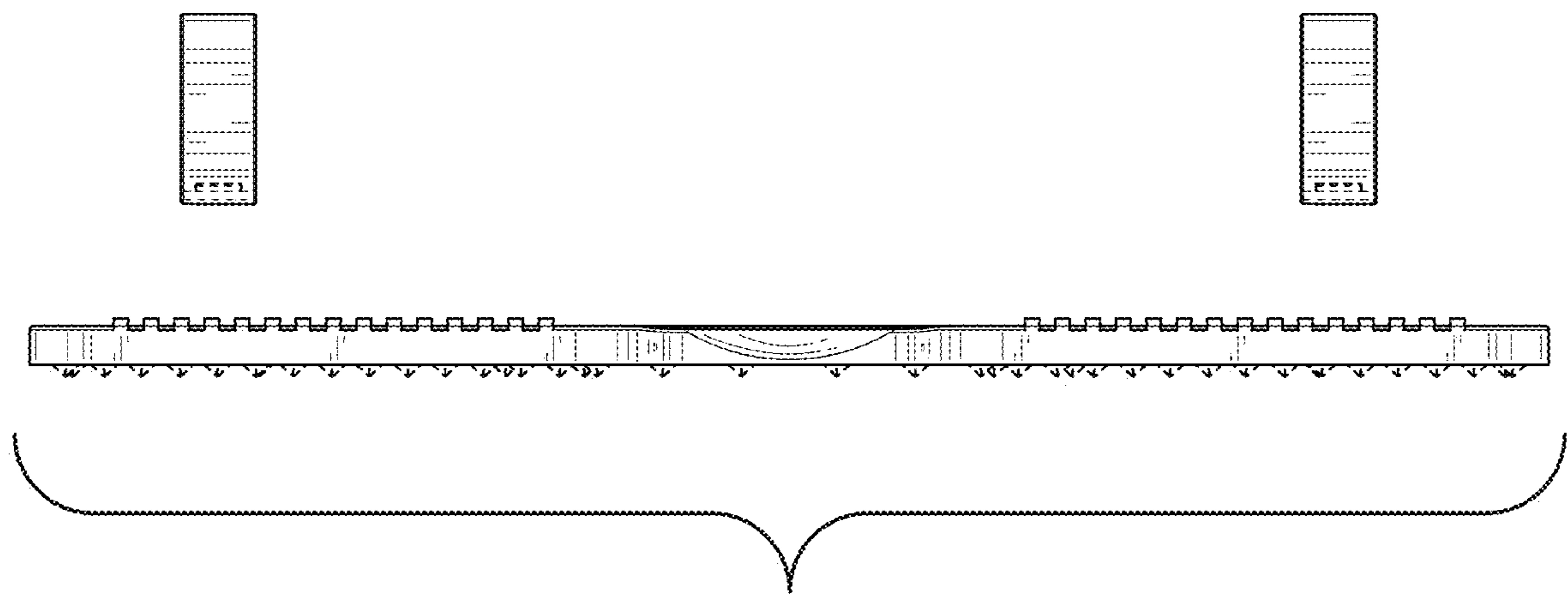


FIG. 8