



(12) **United States Design Patent** (10) **Patent No.:** **US D891,551 S**  
**Duell et al.** (45) **Date of Patent:** **\*\* Jul. 28, 2020**

(54) **BOWLING BALL RETURN ASSEMBLY**

(71) Applicant: **Brunswick Bowling Products, LLC**,  
Muskegon, MI (US)

(72) Inventors: **Jamie Duell**, Spring Lake, MI (US);  
**Michael Resterhouse**, Norton Shores,  
MI (US); **Troy A. Recknagel**,  
Muskegon, MI (US); **Bruce Fredricks**,  
Grand Haven, MI (US); **Conor**  
**Fredricks**, Grand Haven, MI (US); **Ben**  
**Fredricks**, Grand Haven, MI (US)

(73) Assignee: **Brunswick Bowling Products LLC**,  
Muskegon, MI (US)

(\*\*) Term: **15 Years**

(21) Appl. No.: **29/688,307**

(22) Filed: **Apr. 19, 2019**

(51) **LOC (12) Cl.** ..... **21-02**

(52) **U.S. Cl.**  
USPC ..... **D21/785**

(58) **Field of Classification Search**  
USPC ..... D21/785, 786; D6/397, 437, 686;  
473/70, 72, 106, 110–117, 454, 410;  
312/249.11, 249.12; 280/47.35; 273/49;  
318/48; 361/196; 198/273; 346/79, 104;  
234/126  
CPC ..... A63D 5/02; A63D 5/023; A63D 5/04  
See application file for complete search history.

(56) **References Cited**

U.S. PATENT DOCUMENTS

722,340 A \* 3/1903 Wiggins ..... A63D 5/02  
473/114  
1,270,595 A \* 6/1918 Chatfield ..... A63D 5/02  
473/110  
1,377,869 A \* 5/1921 Blackburn ..... A63D 5/04  
235/1 B

1,499,748 A \* 7/1924 Papouchis ..... A63D 1/00  
235/127  
2,211,777 A \* 8/1940 Hinz ..... A63D 5/08  
473/80  
2,348,540 A \* 5/1944 Hedenskoog ..... A63D 5/08  
473/77

(Continued)

**FOREIGN PATENT DOCUMENTS**

CN 1168293 A 12/1997  
EP 3556442 A1 \* 10/2019 ..... A63D 5/023

**OTHER PUBLICATIONS**

Harmony, Designed for Bowling, Designed for You, <http://www.qubicaamf.com/QubicaAMF/files/67/6799613f-1c92-481f-a6e3-2cfa0ddb01f6.pdf>, website available as of Mar. 27, 2015.

(Continued)

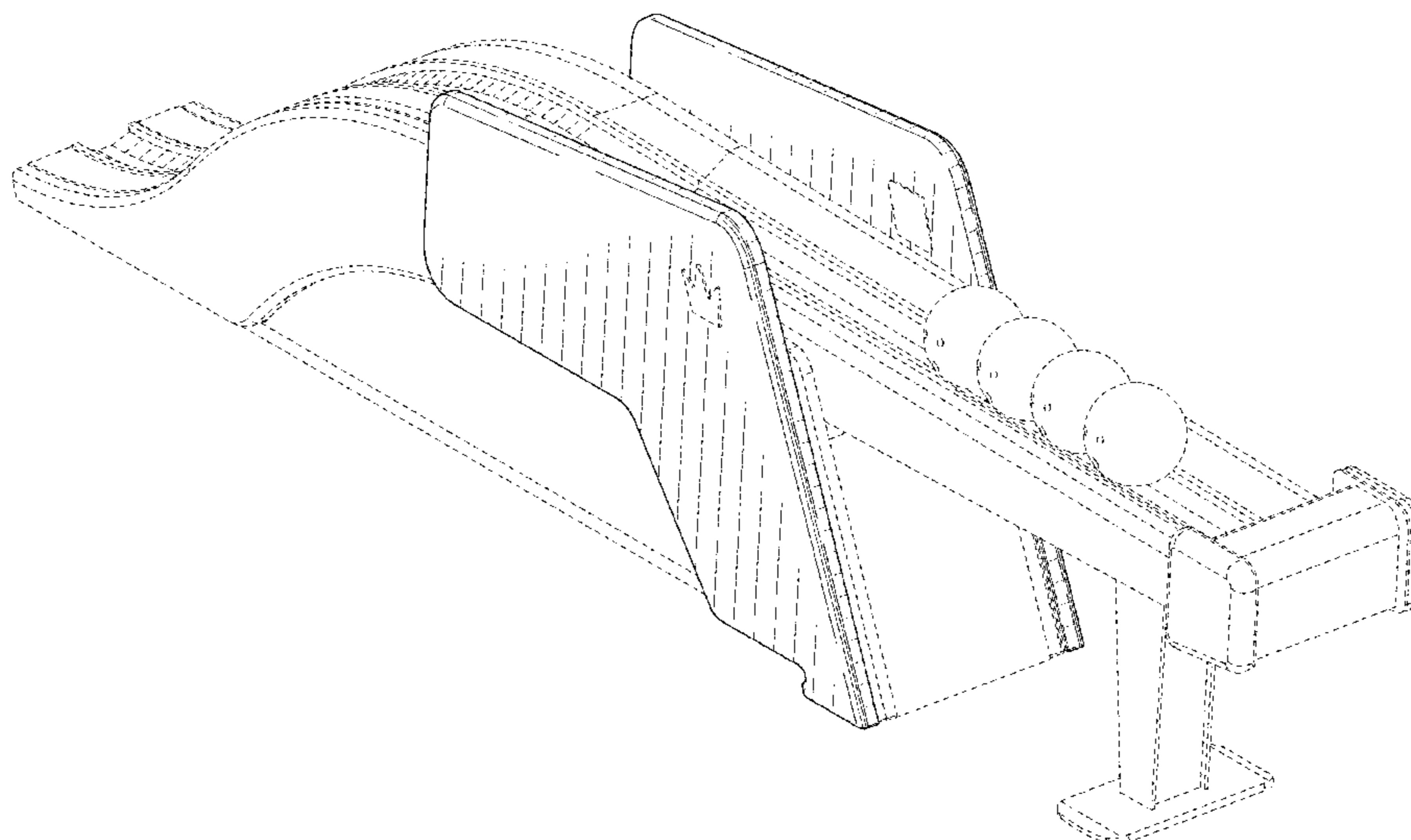
*Primary Examiner* — Sandra S Snapp  
*Assistant Examiner* — Mehri F Bajoul  
(74) *Attorney, Agent, or Firm* — Womble Bond Dickinson  
(US) LLP

(57) **CLAIM**  
The ornamental design for a bowling ball return assembly,  
as shown and described.

**DESCRIPTION**

FIG. 1 is a perspective view of a bowling ball return assembly according to the new design. FIG. 2 is a left side view thereof; FIG. 3 is a right side view thereof; FIG. 4 is a rear view thereof; FIG. 5 is a front view thereof; and, FIG. 6 is a top view thereof. In the drawings, the bowling balls shown in broken lines represent environmental subject matter. The remaining components shown in broken lines depict portions of the bowling ball return assembly that form no part of the claimed design.

**1 Claim, 4 Drawing Sheets**



(56)

References Cited

U.S. PATENT DOCUMENTS

2,523,257 A \* 9/1950 Firestone ..... A63D 5/04  
273/127 R  
2,554,296 A \* 5/1951 Crews ..... B67D 7/22  
222/30  
2,571,365 A \* 10/1951 Hughes ..... A63B 47/002  
273/126 R  
2,788,972 A \* 4/1957 Turner ..... A63D 5/023  
473/110  
2,796,261 A \* 6/1957 Turner ..... A63D 5/023  
473/110  
3,065,965 A \* 11/1962 Cervetti ..... A63D 5/02  
473/99  
3,109,648 A 11/1963 Anderson et al.  
3,109,649 A 11/1963 Anderson et al.  
3,313,540 A 4/1967 Untiedt  
3,433,479 A \* 3/1969 Huck ..... A63D 5/04  
473/71  
3,479,029 A 11/1969 Zeurcher et al.  
3,610,619 A \* 10/1971 Matcovich ..... A63D 5/04  
473/69  
3,703,288 A \* 11/1972 Vogel ..... A63F 7/0058  
473/74  
3,743,137 A \* 7/1973 Bennett ..... A47F 1/10  
221/289  
D236,844 S \* 9/1975 Meade ..... D21/785  
RE30,471 E \* 1/1981 Reynolds ..... A63D 5/04  
340/323 B  
4,265,449 A \* 5/1981 Reiner ..... A63D 3/00  
473/74  
4,406,456 A 9/1983 Berry et al.  
4,770,417 A 9/1988 Blair  
D308,921 S \* 7/1990 Keller ..... D6/686  
5,096,192 A \* 3/1992 Stanford, Jr. .... A63D 3/00  
473/109

5,322,365 A \* 6/1994 Teufel ..... A47B 88/417  
220/351  
D349,320 S \* 8/1994 Hagen ..... D21/785  
5,374,220 A \* 12/1994 Burtchett ..... A63D 3/00  
473/110  
D367,097 S \* 2/1996 Stirling ..... D21/785  
5,624,322 A 4/1997 Riley  
5,702,308 A \* 12/1997 Alexander, Jr. .... A63D 3/00  
473/116  
5,868,629 A 2/1999 VanDuyn et al.  
D416,600 S \* 11/1999 Arney ..... D21/785  
6,213,886 B1 \* 4/2001 Johnston ..... A63D 3/00  
473/116  
7,248,174 B2 7/2007 Study  
8,439,359 B2 \* 5/2013 Stites ..... A63B 67/04  
273/126 A  
D859,771 S \* 9/2019 Vostal ..... D34/20  
2005/0020368 A1 1/2005 Burkholder et al.  
2014/0087891 A1 3/2014 Eling et al.

OTHER PUBLICATIONS

Harmony Ball Return, <http://www.qubicaamf.com/Products/Front-End-Products/Harmony-Ball-Return> and link for YouTube Video within Products website <http://www.youtube.com/watch?v=hK3dSvjIYM>, website available as of Mar. 27, 2015.  
Extended European Search Report for related application, EP 19170543.3 dated Sep. 19, 2019.  
Xpert Printing, <https://www.printingxpert.com/custom-vinyl-wrap-printing.html>, Vinyl Wrap Printing, Jun. 2016.  
iZone Imaging, <https://izoneimaging.com/high-pressure-laminate/>, Mar. 2004.  
Murrey Designer Series, Custom Manufactured Hood & Rack Combos, <https://murreybowling.com/products/bowling-ball-return-system/>, Mar. 2016.

\* cited by examiner

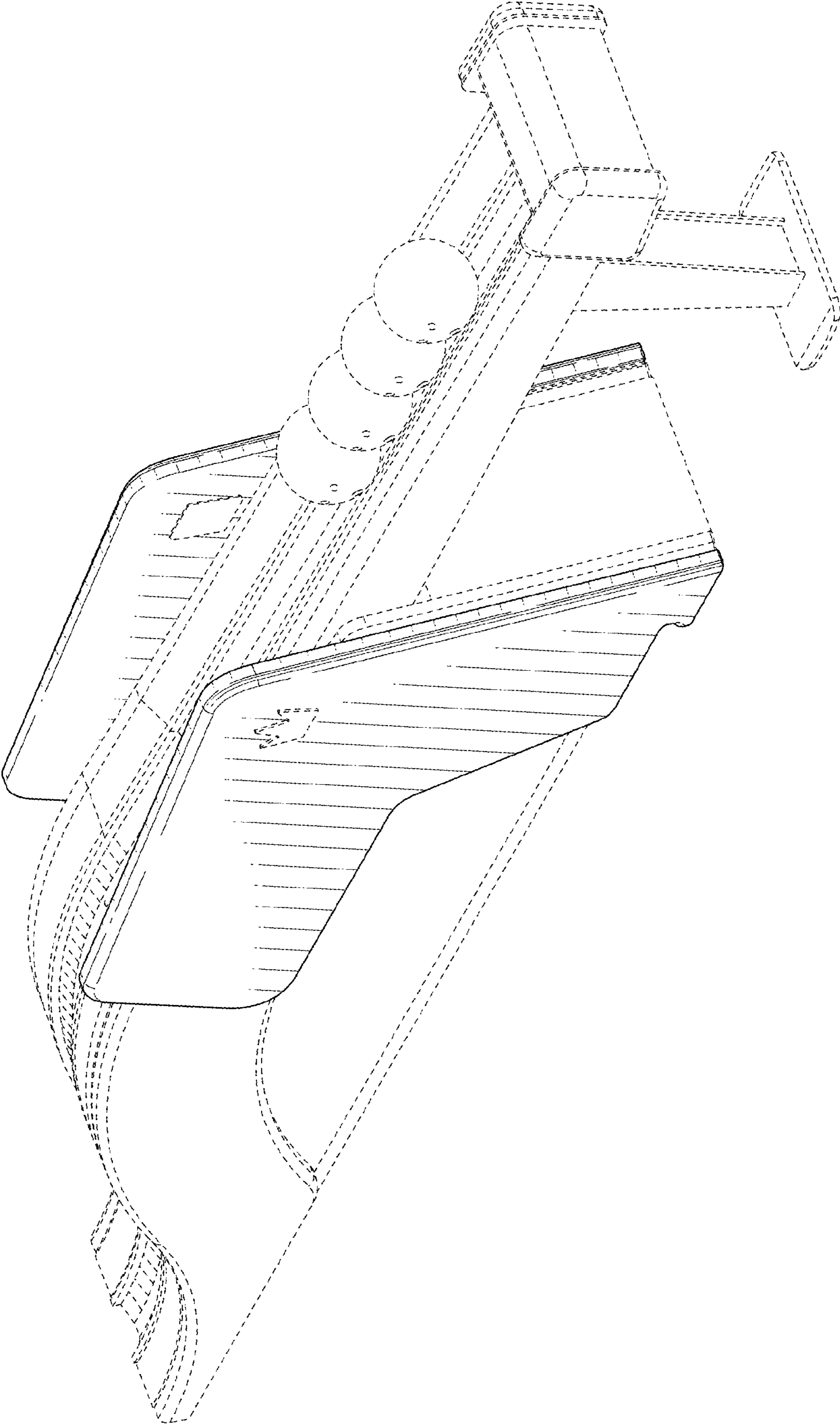


FIG. 1



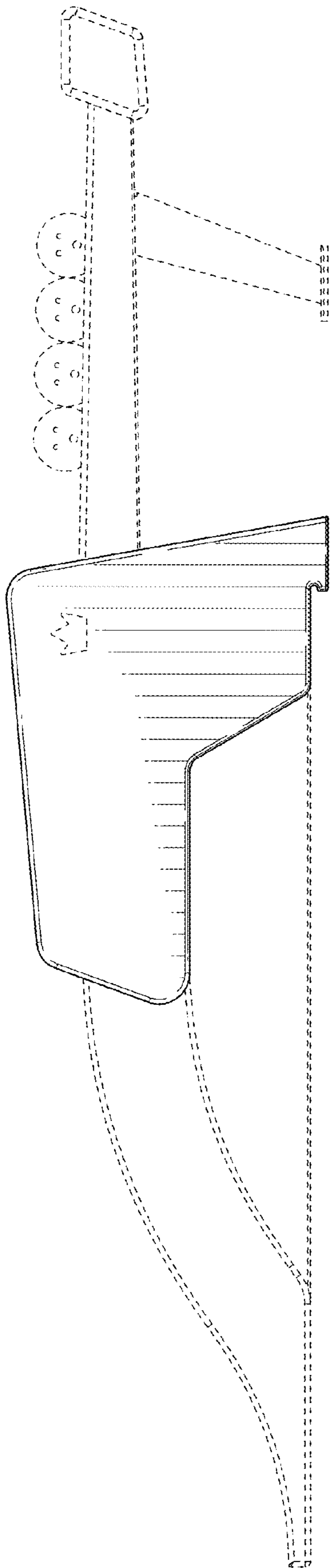


FIG. 2

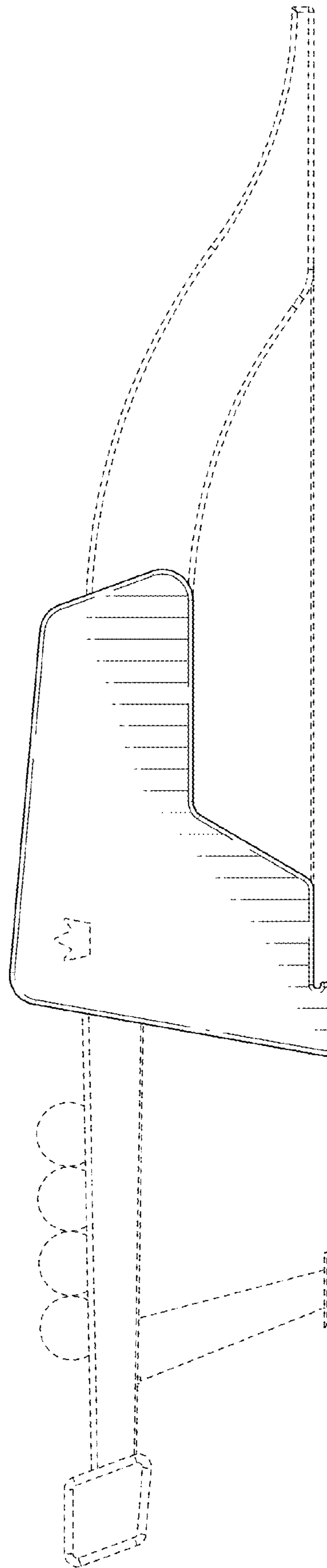


FIG. 3

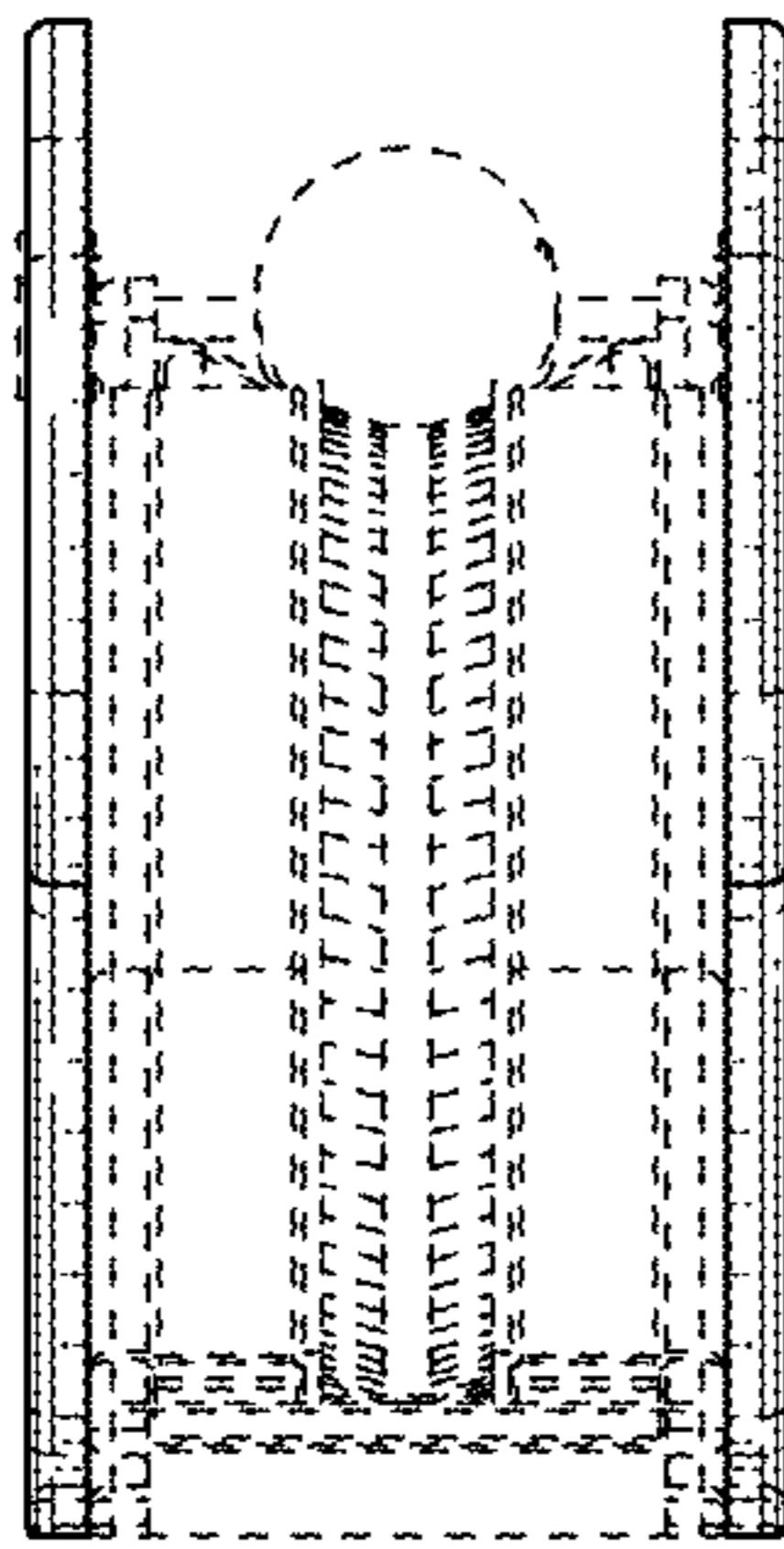


FIG. 4

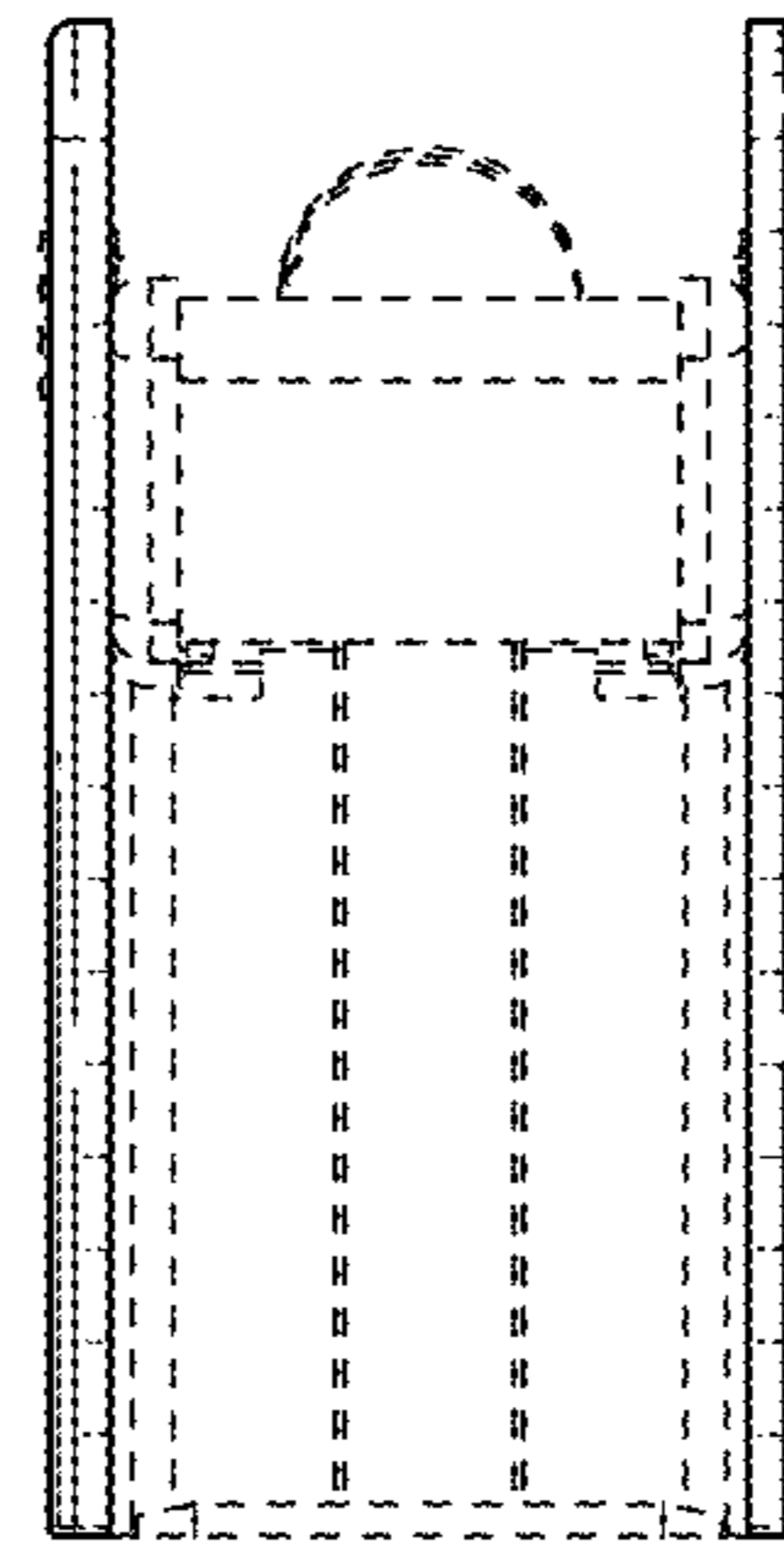


FIG. 5

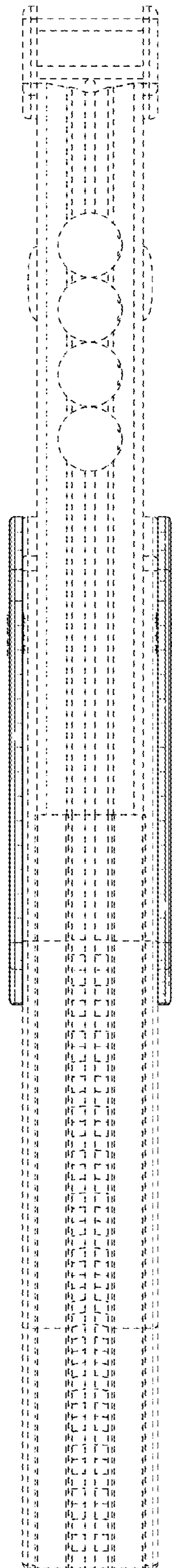


FIG. 6