



US00D891550S

(12) **United States Design Patent**
Duell et al.

(10) **Patent No.:** **US D891,550 S**
(45) **Date of Patent:** **** Jul. 28, 2020**

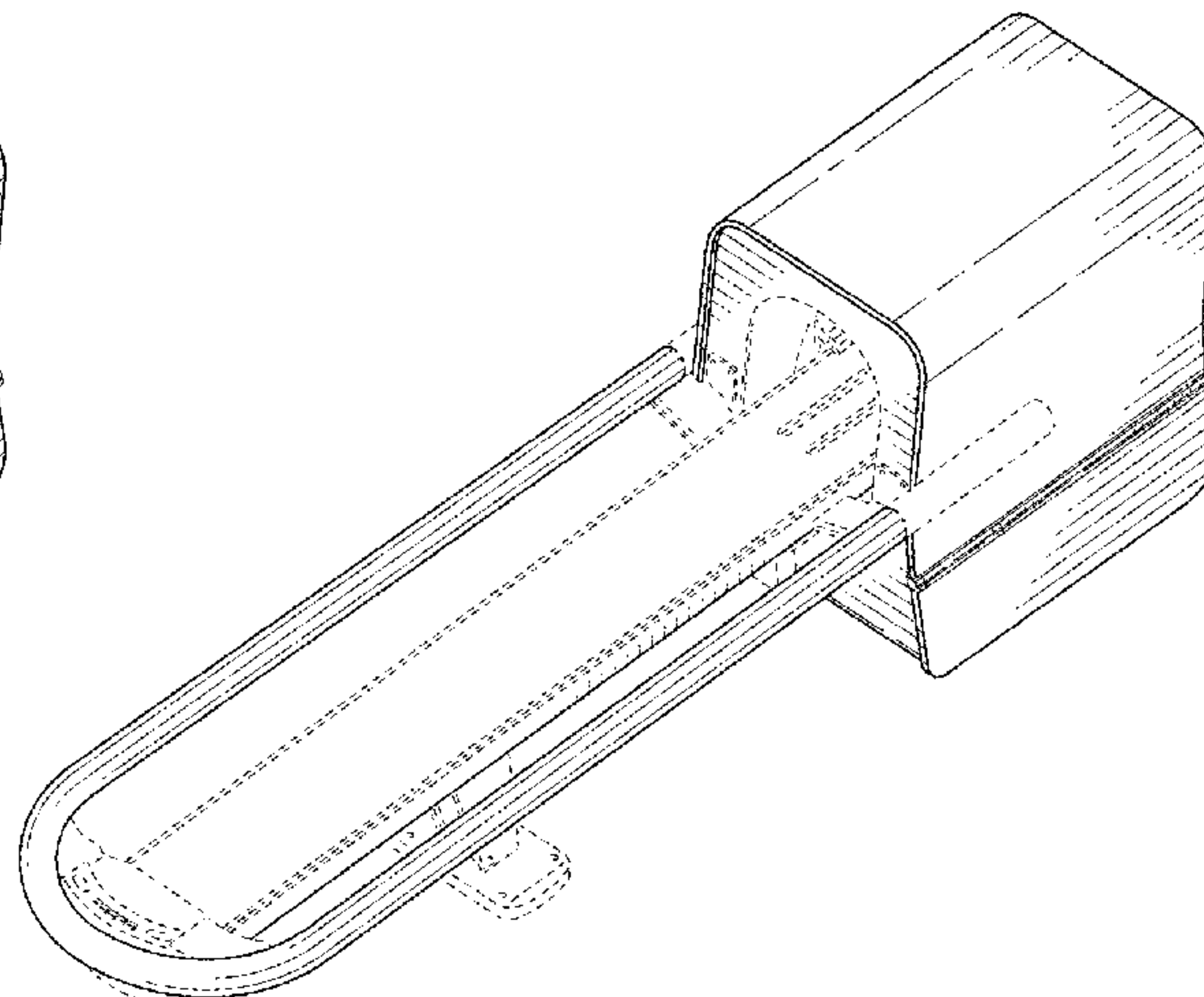
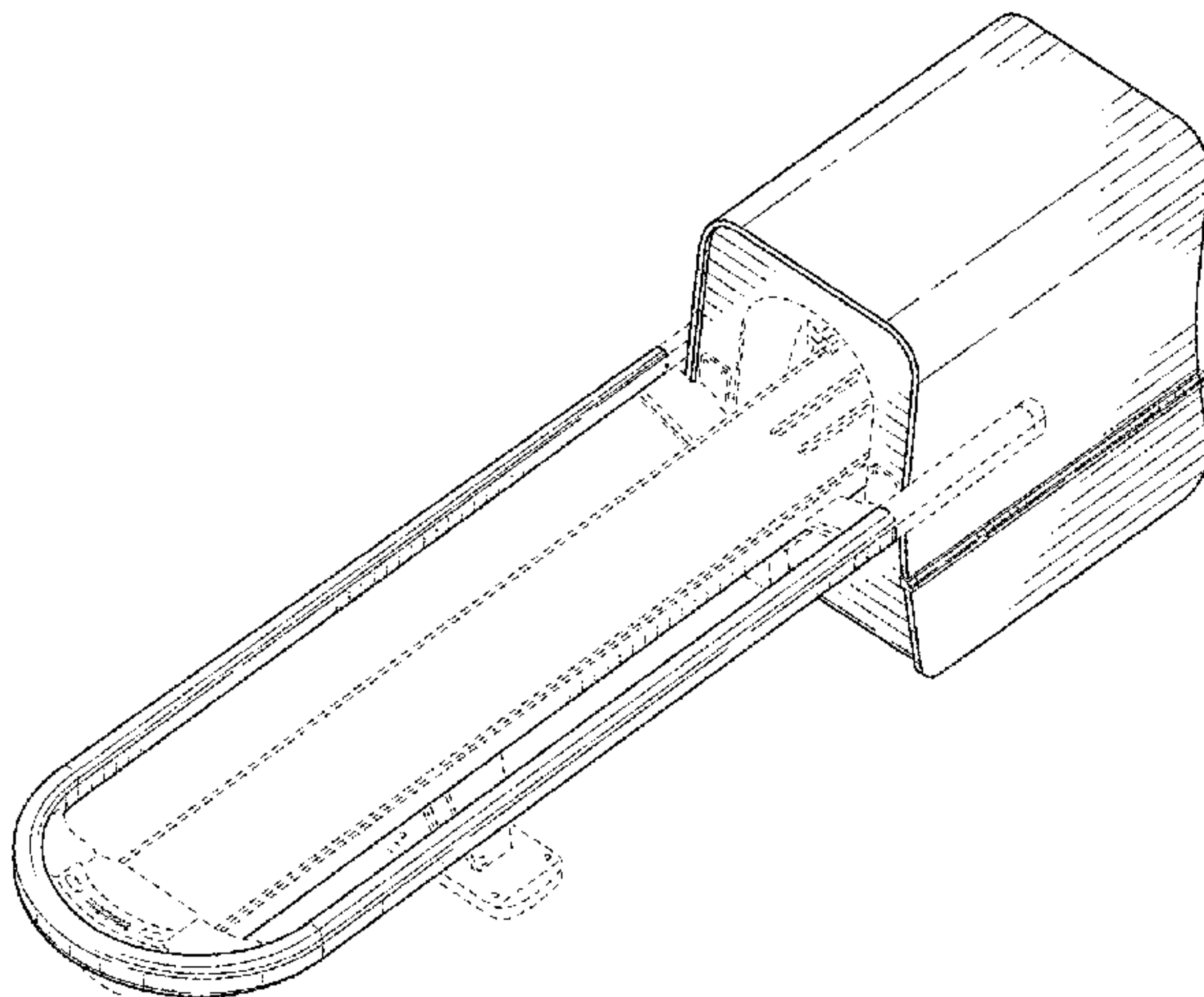
- (54) **BOWLING BALL RETURN ASSEMBLY**
- (71) Applicant: **Brunswick Bowling Products, LLC**,
Muskegon, MI (US)
- (72) Inventors: **Jamie Duell**, Spring Lake, MI (US);
Michael Resterhouse, Norton Shores,
MI (US); **Thomas Jay Kusmierski**,
Grandville, MI (US); **Troy A.**
Recknagel, Muskegon, MI (US)
- (73) Assignee: **Brunswick Bowling Products LLC**,
Muskegon, MI (US)
- (**) Term: **15 Years**
- (21) Appl. No.: **29/644,826**
- (22) Filed: **Apr. 20, 2018**
- (51) **LOC (12) Cl.** **21-02**
- (52) **U.S. Cl.**
USPC **D21/785**
- (58) **Field of Classification Search**
USPC D21/785, 786; D6/397, 437, 686;
473/70, 72, 106, 110–117, 410, 454;
312/249.11, 249.12; 318/48; 346/79,
346/104; 361/196; 280/47.35; 273/49;
234/126; 198/723
CPC A63D 5/02; A63D 5/023; A63D 5/04
See application file for complete search history.

2,348,540	A *	5/1944	Hedenskoog	A63D 5/08 473/77
2,523,257	A *	9/1950	Firestone	A63D 5/04 273/127 R
2,554,296	A *	5/1951	Crews	B67D 7/22 222/30
2,571,365	A *	10/1951	Hughes	A63B 47/002 273/126 R
2,788,972	A *	4/1957	Turner	A63D 5/023 473/110
2,796,261	A *	6/1957	Turner	A63D 5/023 473/110
3,065,965	A *	11/1962	Cervetti	A63D 5/02 473/99
3,109,648	A	11/1963	Anderson et al.	
3,109,649	A	11/1963	Anderson et al.	
3,313,540	A	4/1967	Untiedt	
3,433,479	A *	3/1969	Huck	A63D 5/04 473/71
3,479,029	A	11/1969	Zeurcher et al.	
3,610,619	A *	10/1971	Matcovich	A63D 5/04 473/69
3,703,288	A *	11/1972	Vogel	A63F 7/0058 473/74
3,743,137	A *	7/1973	Bennett	A47F 1/10 221/289
D236,844	S *	9/1975	Meade	D21/785
RE30,471	E *	1/1981	Reynolds	A63D 5/04 340/323 B
4,265,449	A *	5/1981	Reiner	A63D 3/00 473/74
4,406,456	A	9/1983	Berry et al.	
4,770,417	A	9/1988	Blair	
D308,921	S *	7/1990	Keller	D6/686
5,096,192	A *	3/1992	Stanford, Jr.	A63D 3/00 473/109
5,322,365	A *	6/1994	Teufel	A47B 88/417 220/351
D349,320	S *	8/1994	Hagen	D21/785
5,374,220	A *	12/1994	Burtchett	A63D 3/00 473/110
D367,097	S *	2/1996	Stirling	D21/785
5,624,322	A	4/1997	Riley	
5,702,308	A *	12/1997	Alexander, Jr.	A63D 3/00 473/116
5,868,629	A	2/1999	VanDuyn et al.	
D416,600	S *	11/1999	Arney	D21/785
6,213,886	B1 *	4/2001	Johnston	A63D 3/00 473/116
8,439,359	B2 *	5/2013	Stites	A63B 67/04 273/126 A

(56) **References Cited**

U.S. PATENT DOCUMENTS

722,340	A *	3/1903	Wiggins	A63D 5/02 473/114
1,270,595	A *	6/1918	Chatfield	A63D 5/02 473/110
1,377,869	A *	5/1921	Blackburn	A63D 5/04 235/1 B
1,499,748	A *	7/1924	Papouchis	A63D 1/00 235/127
2,211,777	A *	8/1940	Hinz	A63D 5/08 473/80



D859,771 S * 9/2019 Vostal D34/20
 2005/0020368 A1 1/2005 Burkholder et al.
 2014/0087891 A1 3/2014 Eling et al.

FOREIGN PATENT DOCUMENTS

CN 1168293 A 12/1997
 EP 3556442 A1 * 10/2019 A63D 5/023

OTHER PUBLICATIONS

Extended European Search Report for related application, EP 19170543.3 dated Sep. 19, 2019.
 Harmony, Designed for Bowling, Designed for You, <http://www.qubicaamf.com/QubicaAMF/files/67/6799613f-1c92-481f-a6e3-2cfa0ddb01f6.pdf>, website available as of Mar. 27, 2015.
 Harmony Ball Return, <http://www.qubicaamf.com/Products/Front-End-Products/Harmony-Ball-Return> and link for YouTube Video within Products website <http://www.youtube.com/watch?v=hK3cJSvj1YM>, website available as of Mar. 27, 2015.
 Xpert Printing, <https://www.printingxpert.com/custom-vinyl-wrap-printing.html>, Vinyl Wrap Printing, Jun. 2016.
 iZone Imaging, <https://izoneimaging.com/high-pressure-laminate/>, Mar. 2004.
 Murrey Designer Series, Custom Manufactured Hood & Rack Combos, <https://murreybowling.com/products/bowling-ball-return-system/>, Mar. 2016.
 U.S. Appl. No. 16/389,350, filed Apr. 19, 2019.
 U.S. Appl. No. 29/688,307, filed Apr. 19, 2019.
 U.S. Appl. No. 29/688,312, filed Apr. 19, 2019.

* cited by examiner

Primary Examiner — Sandra S Snapp
Assistant Examiner — Mehri F Bajoul
 (74) *Attorney, Agent, or Firm* — Womble Bond Dickinson (US) LLP

(57) **CLAIM**

The ornamental design for a bowling ball return assembly, as shown and described.

DESCRIPTION

FIG. 1 is a perspective view of a bowling ball return assembly according to a first embodiment of the present disclosure.
 FIG. 2 is a front elevation view of the bowling ball return assembly of FIG. 1.
 FIG. 3 is a rear elevation view of the bowling ball return assembly of FIG. 1.
 FIG. 4 is a left elevation view of the bowling ball return assembly of FIG. 1.
 FIG. 5 is a right elevation view of the bowling ball return assembly of FIG. 1.
 FIG. 6 is a top plan view of the bowling ball return assembly of FIG. 1.
 FIG. 7 is a bottom plan view of the bowling ball return assembly of FIG. 1.
 FIG. 8 is a perspective view of a bowling ball return assembly according to a second embodiment of the present disclosure.
 FIG. 9 is a front elevation view of the bowling ball return assembly of FIG. 8.
 FIG. 10 is a rear elevation view of the bowling ball return assembly of FIG. 8.
 FIG. 11 is a left elevation view of the bowling ball return assembly of FIG. 8.

FIG. 12 is a right elevation view of the bowling ball return assembly of FIG. 8.
 FIG. 13 is a top plan view of the bowling ball return assembly of FIG. 8.
 FIG. 14 is a bottom plan view of the bowling ball return assembly of FIG. 8.
 FIG. 15 is a perspective view of a bowling ball return assembly according to a third embodiment of the present disclosure.
 FIG. 16 is a front elevation view of the bowling ball return assembly of FIG. 15.
 FIG. 17 is a rear elevation view of the bowling ball return assembly of FIG. 15.
 FIG. 18 is a left elevation view of the bowling ball return assembly of FIG. 15.
 FIG. 19 is a right elevation view of the bowling ball return assembly of FIG. 15.
 FIG. 20 is a top plan view of the bowling ball return assembly of FIG. 15.
 FIG. 21 is a bottom plan view of the bowling ball return assembly of FIG. 15.
 FIG. 22 is a perspective view of a bowling ball return assembly according to an fourth embodiment of the present disclosure.
 FIG. 23 is a front elevation view of the bowling ball return assembly of FIG. 22.
 FIG. 24 is a rear elevation view of the bowling ball return assembly of FIG. 22.
 FIG. 25 is a left elevation view of the bowling ball return assembly of FIG. 22.
 FIG. 26 is a right elevation view of the bowling ball return assembly of FIG. 22.
 FIG. 27 is a top plan view of the bowling ball return assembly of FIG. 22.
 FIG. 28 is a bottom plan view of the bowling ball return assembly of FIG. 22.
 FIG. 29 is a perspective view of a bowling ball return assembly according to a fifth embodiment of the present disclosure.
 FIG. 30 is a front elevation view of the bowling ball return assembly of FIG. 29.
 FIG. 31 is a rear elevation view of the bowling ball return assembly of FIG. 29.
 FIG. 32 is a left elevation view of the bowling ball return assembly of FIG. 29.
 FIG. 33 is a right elevation view of the bowling ball return assembly of FIG. 29.
 FIG. 34 is a top plan view of the bowling ball return assembly of FIG. 29.
 FIG. 35 is a bottom plan view of the bowling ball return assembly of FIG. 29.
 FIG. 36 is a perspective view of a bowling ball return assembly according to a sixth embodiment of the present disclosure.
 FIG. 37 is a front elevation view of the bowling ball return assembly of FIG. 36.
 FIG. 38 is a rear elevation view of the bowling ball return assembly of FIG. 36.
 FIG. 39 is a left elevation view of the bowling ball return assembly of FIG. 36.
 FIG. 40 is a right elevation view of the bowling ball return assembly of FIG. 36.
 FIG. 41 is a top plan view of the bowling ball return assembly of FIG. 36; and,

FIG. 42 is a bottom plan view of the bowling ball return assembly of FIG. 36.

In the drawings, showing the bowling balls in broken lines represent environmental subject matter. The remaining components shown in broken lines depict portions of the bowling ball return assembly that form no part of the claimed design.

1 Claim, 24 Drawing Sheets

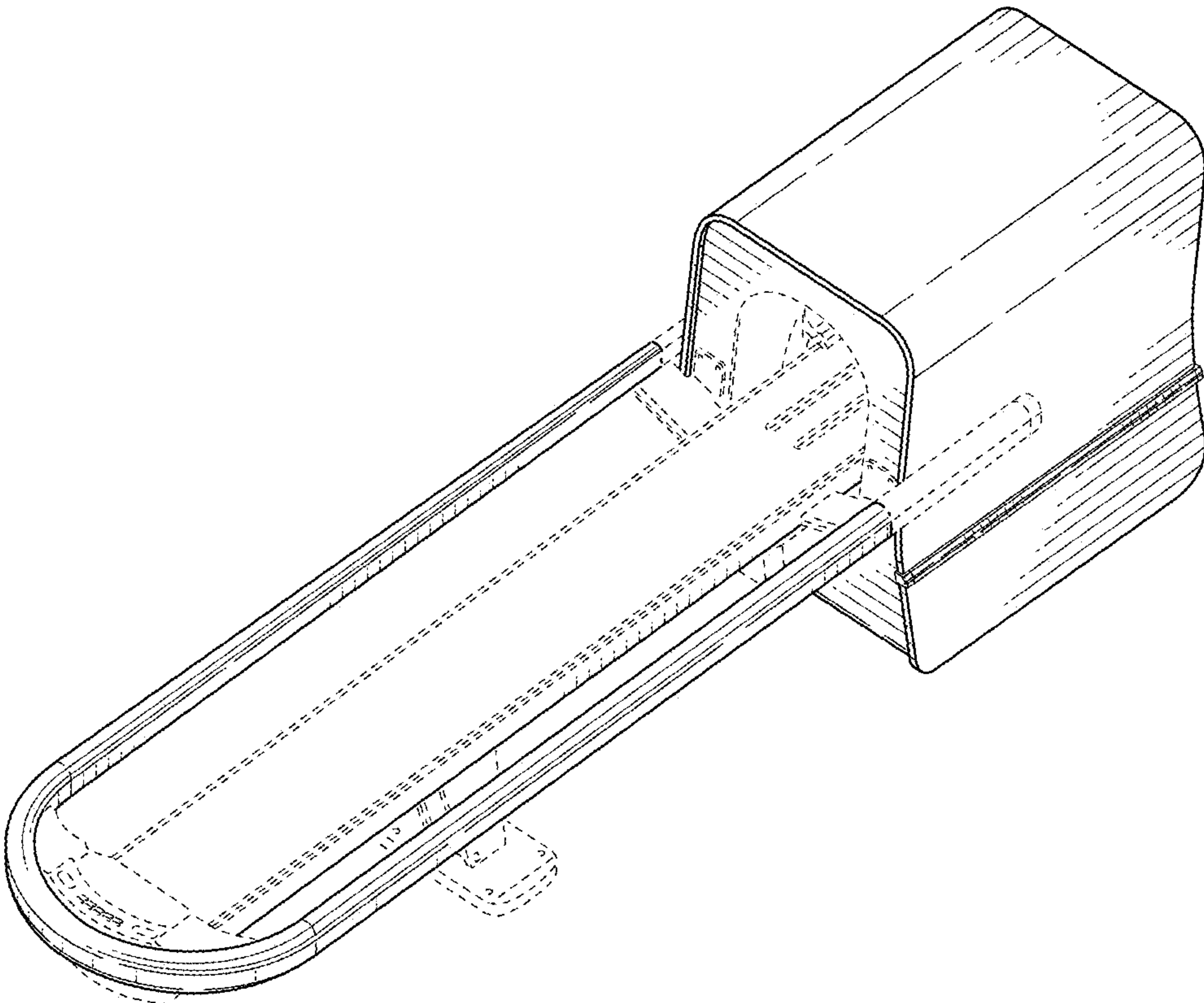


FIG. 1

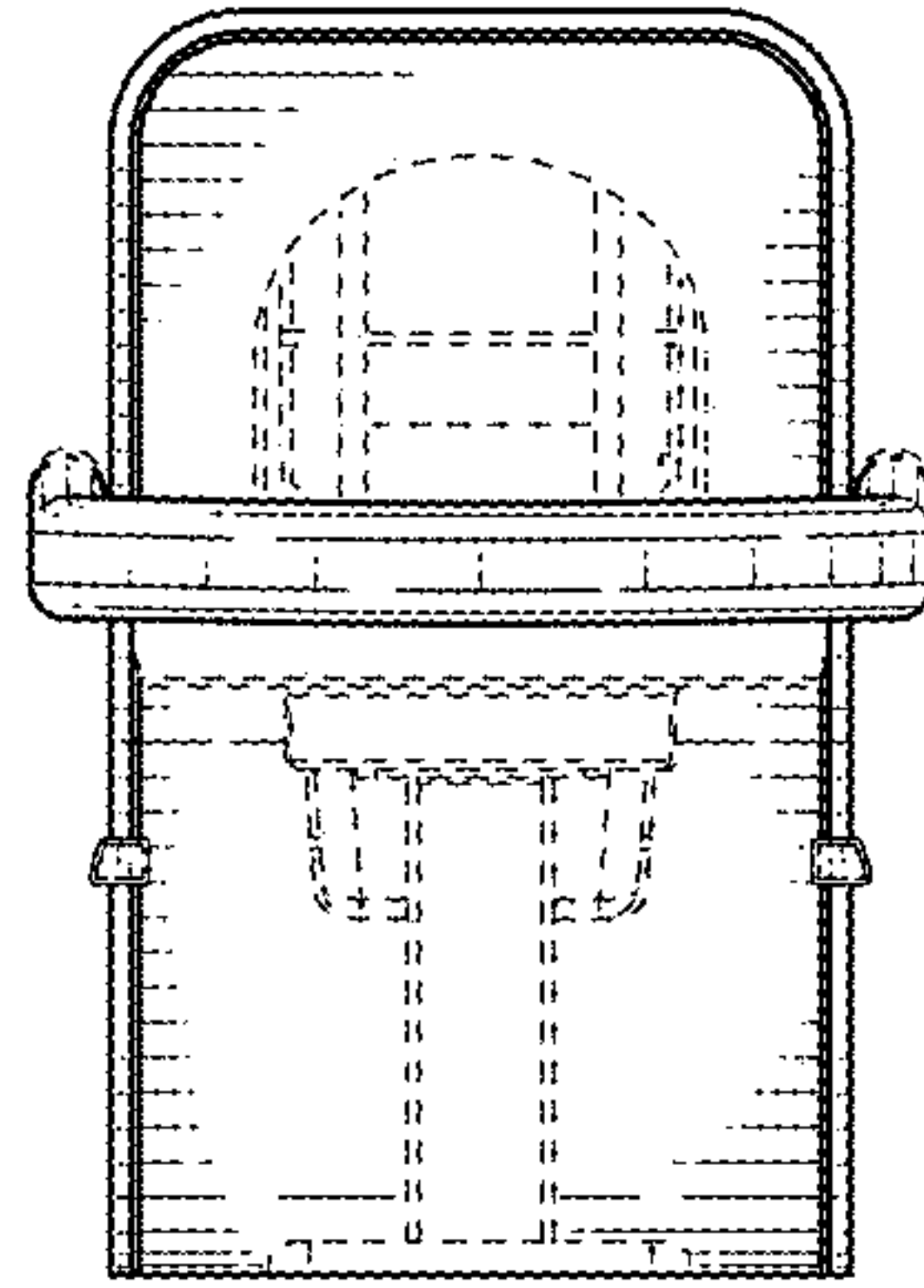


FIG. 2

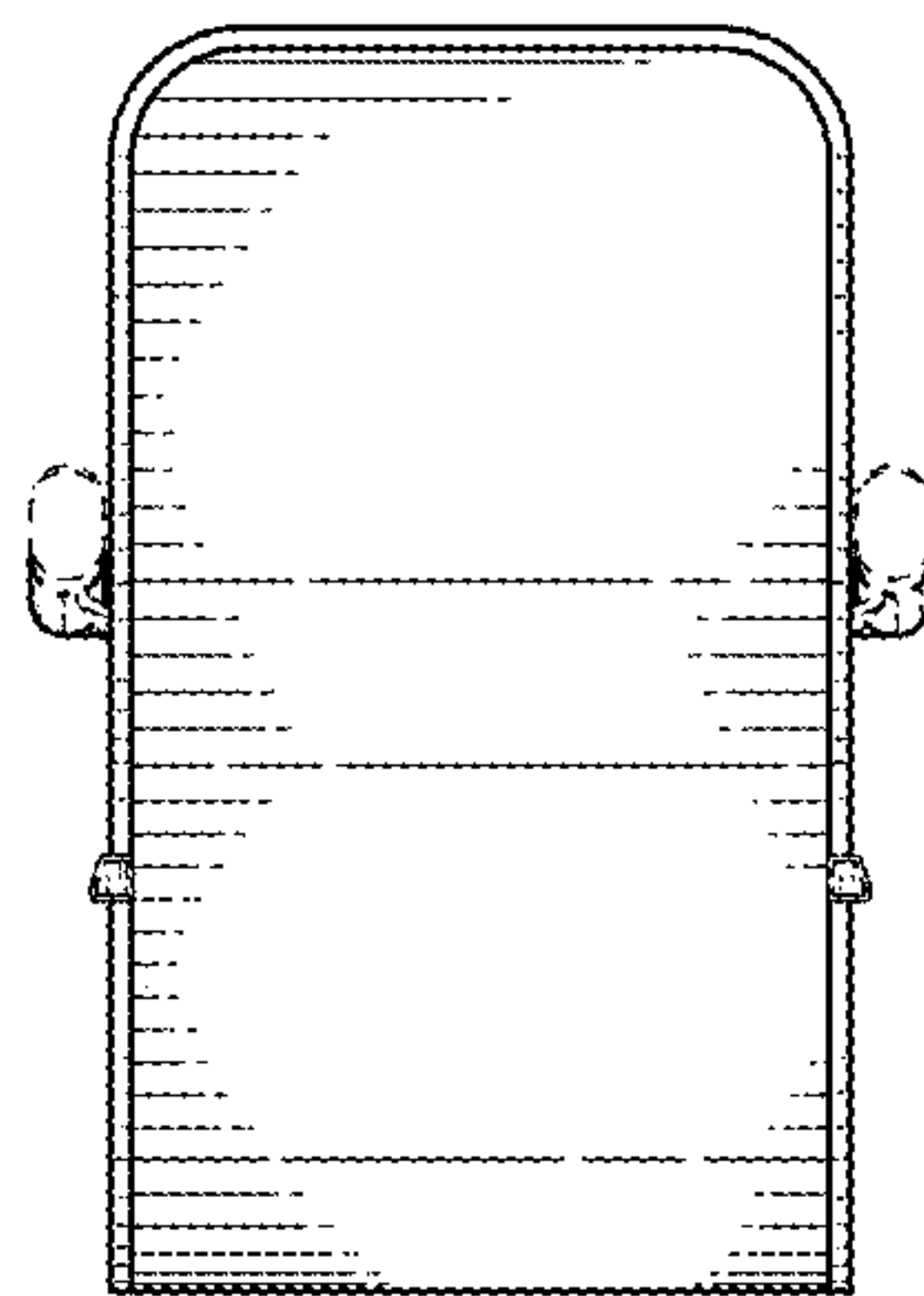


FIG. 3

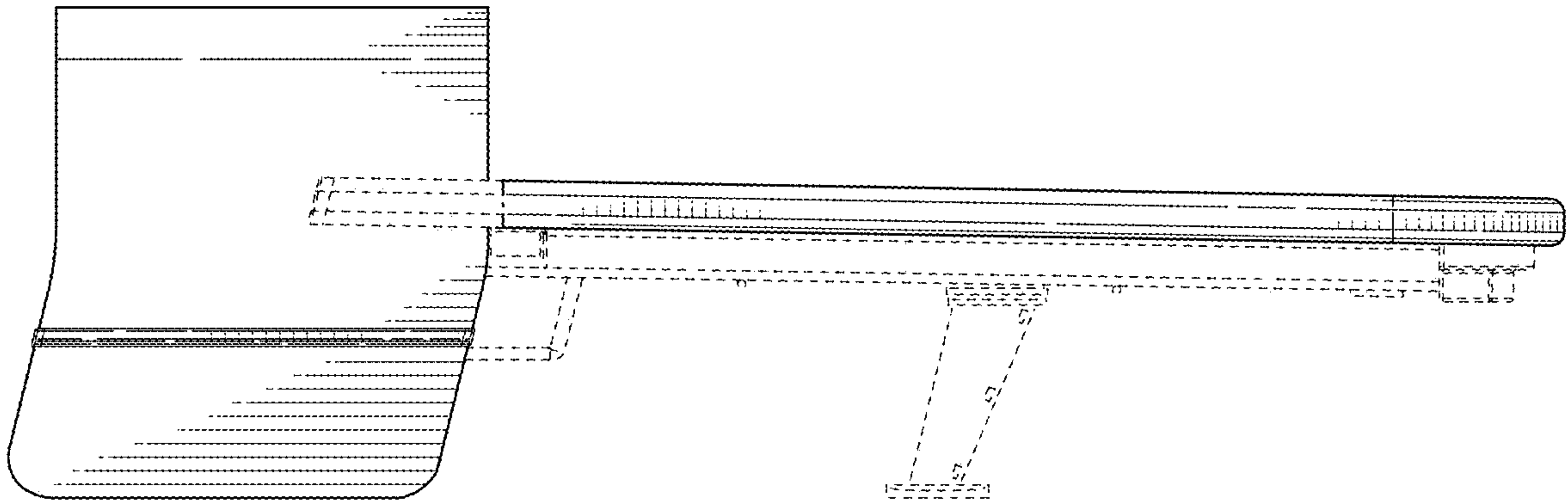


FIG. 4

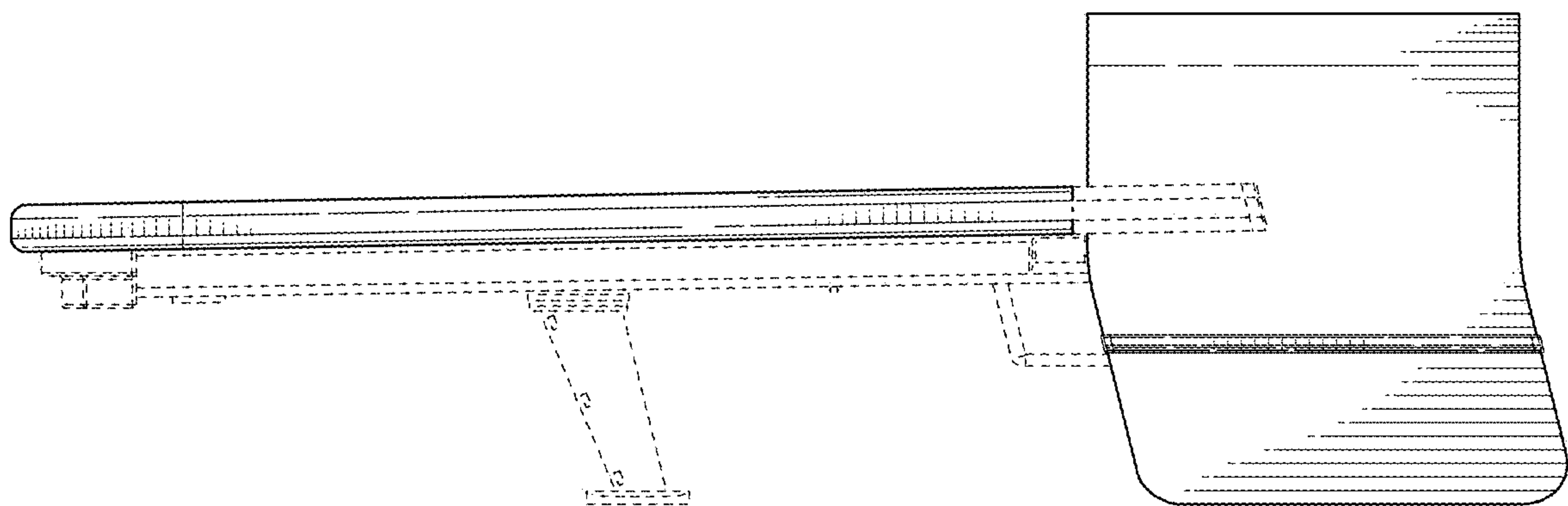


FIG. 5

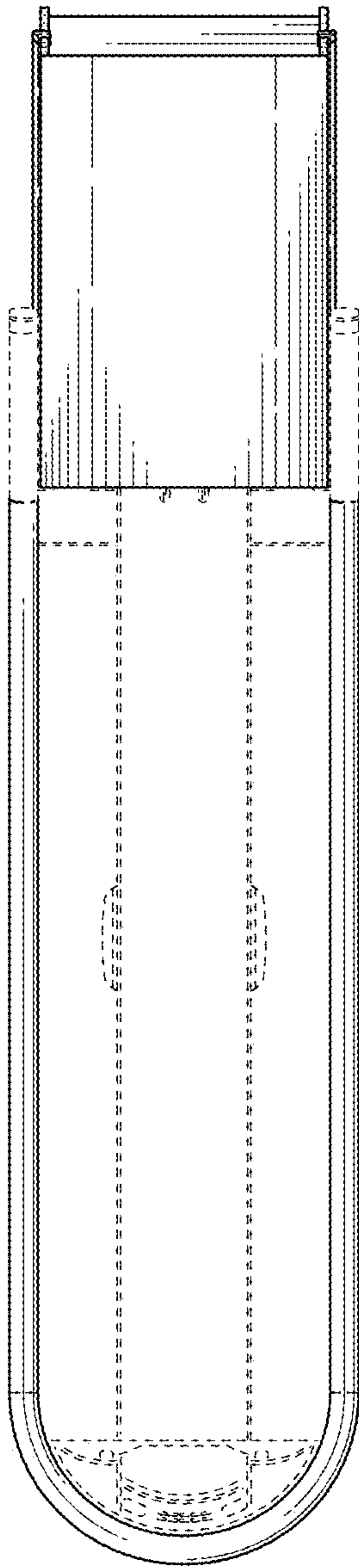


FIG. 6

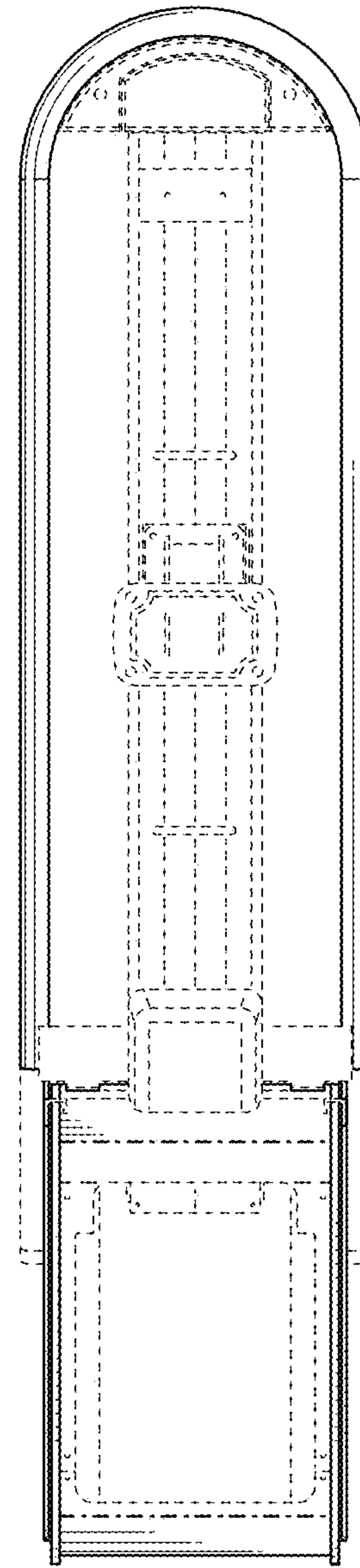


FIG. 7

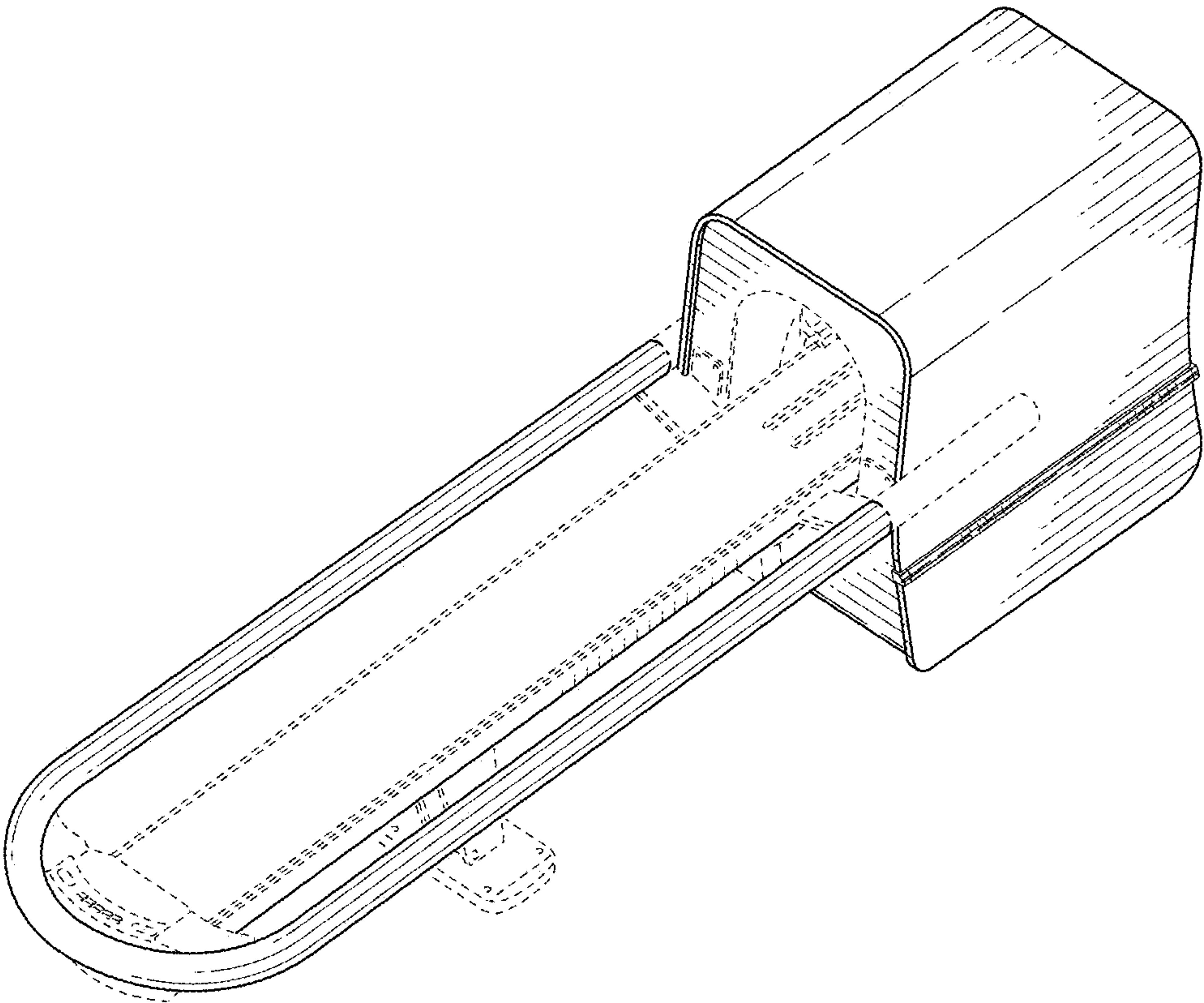


FIG. 8

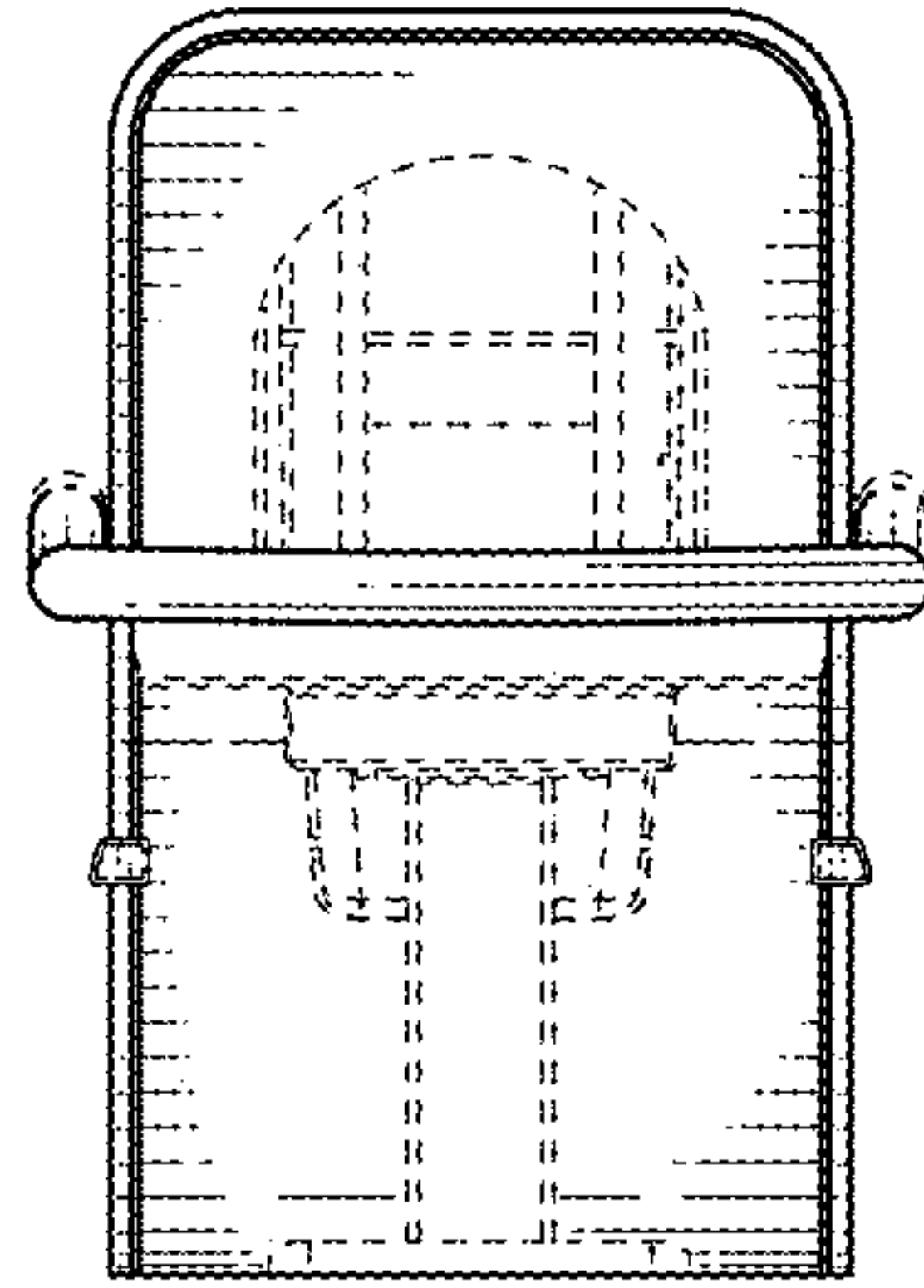


FIG. 9

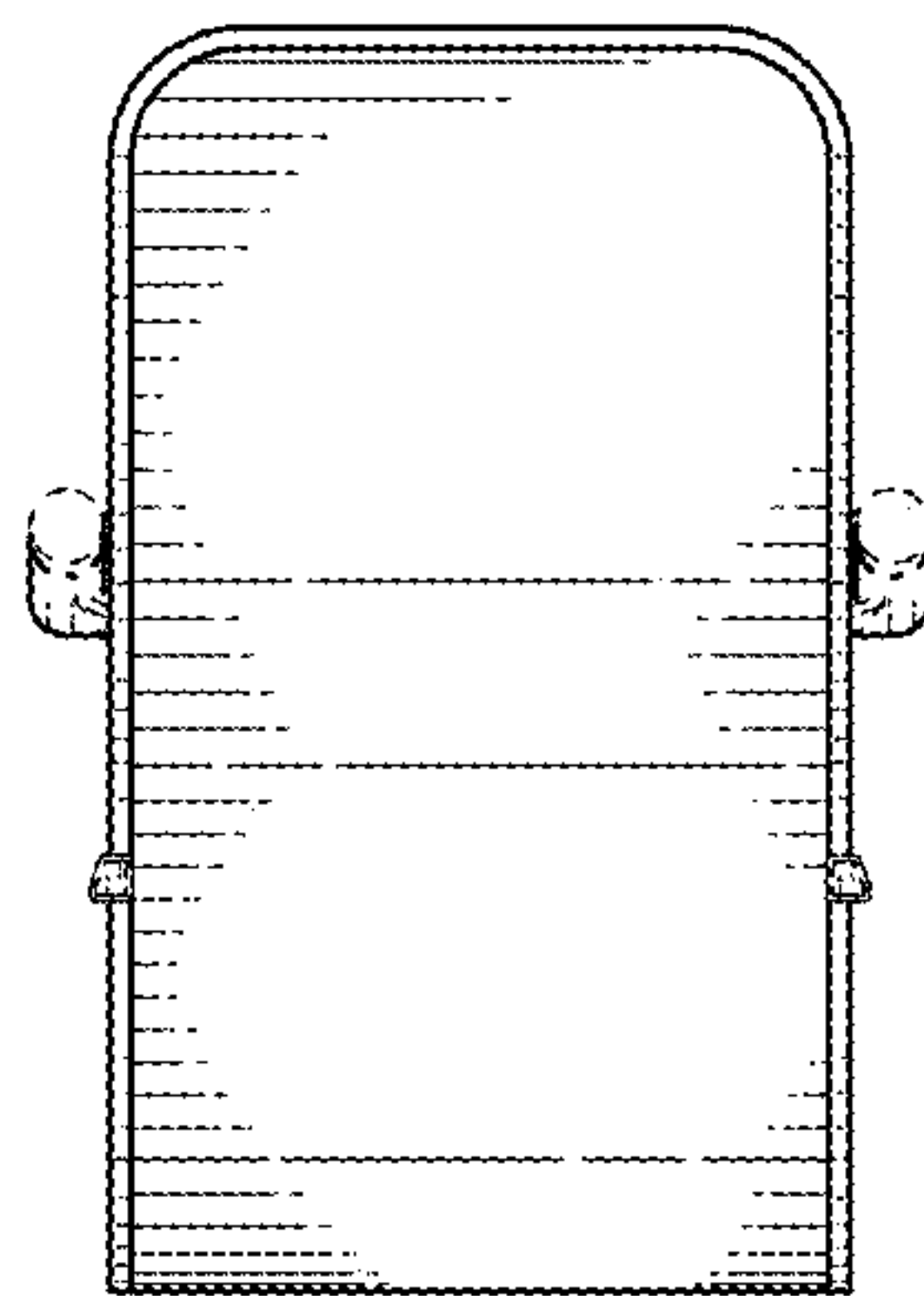


FIG. 10

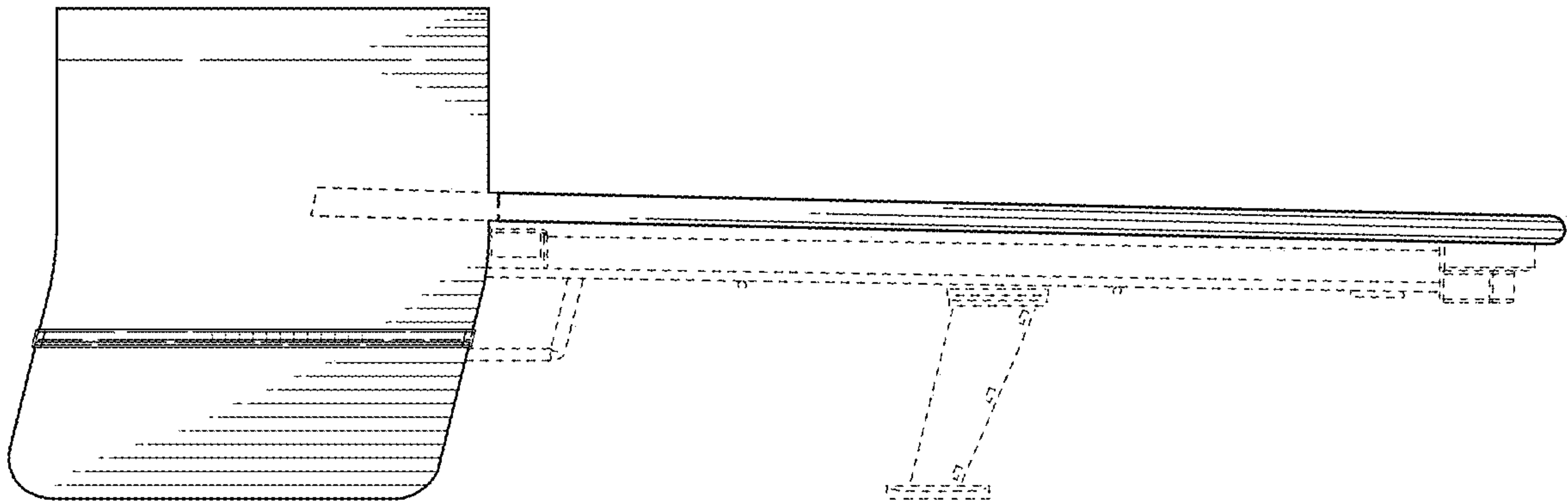


FIG. 11

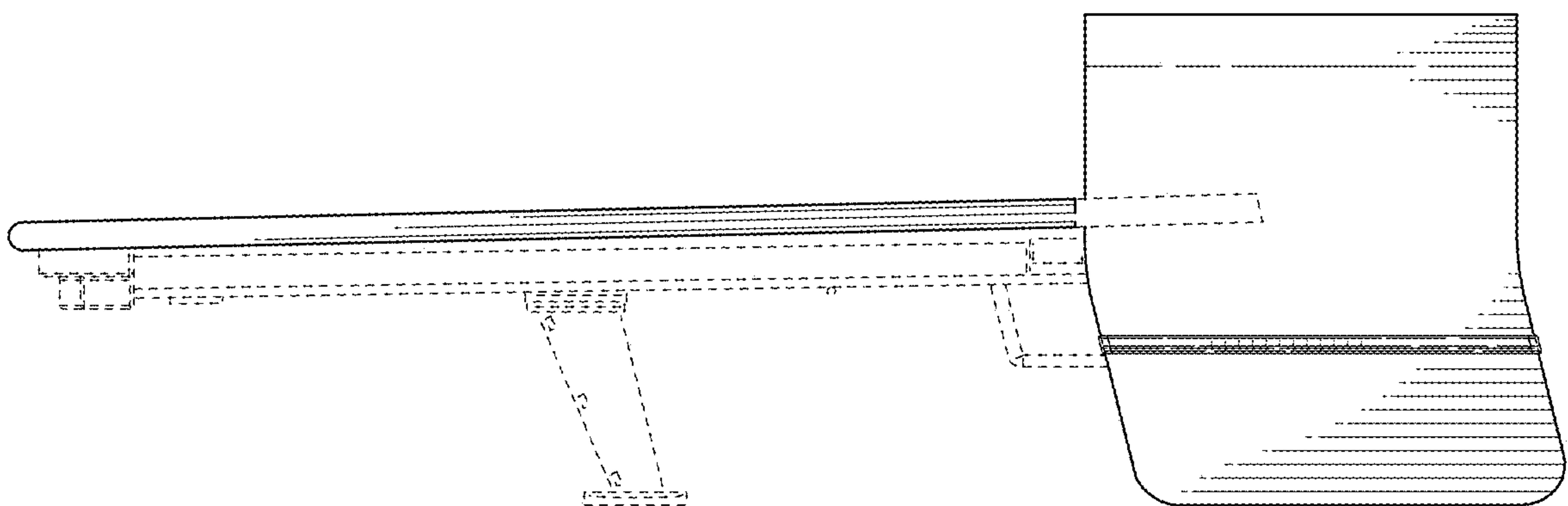


FIG. 12

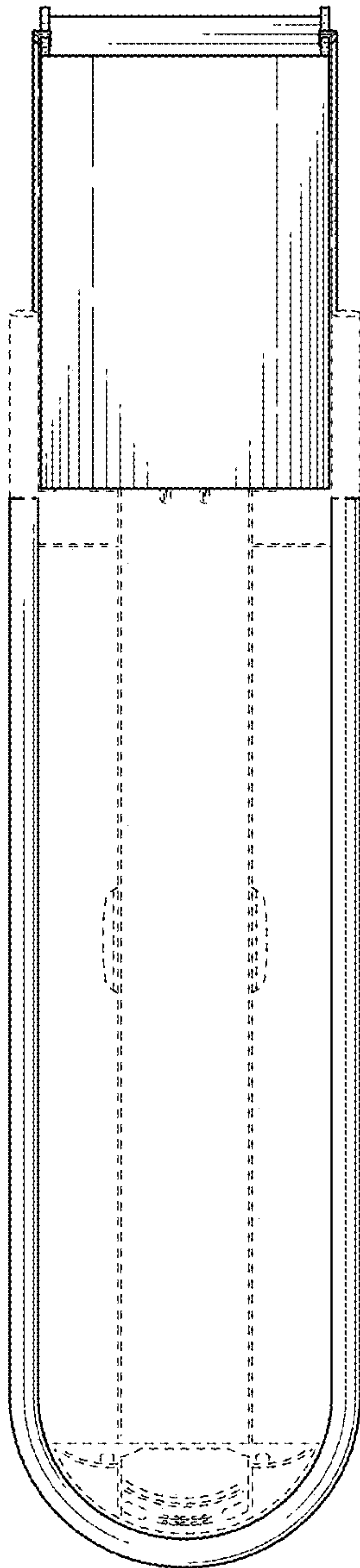


FIG. 13

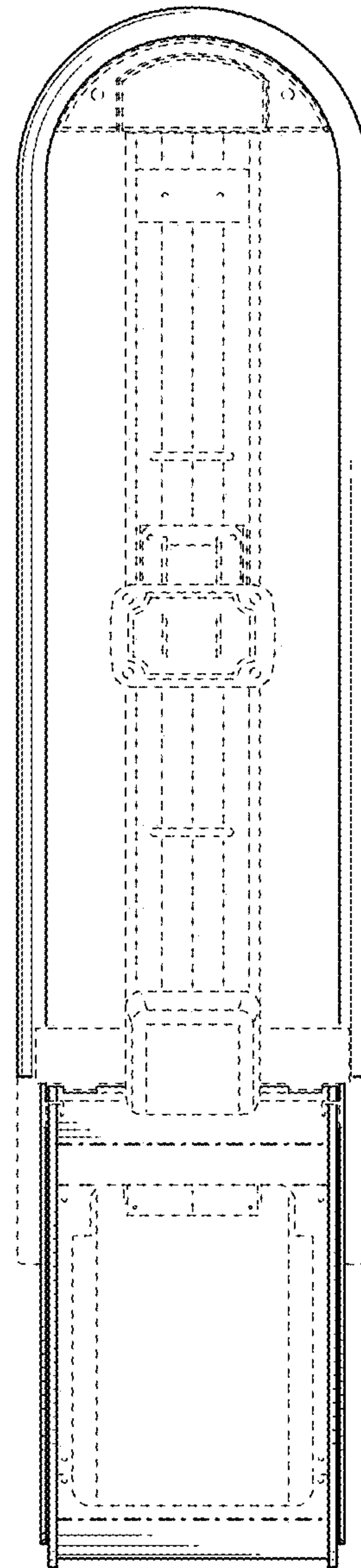


FIG. 14

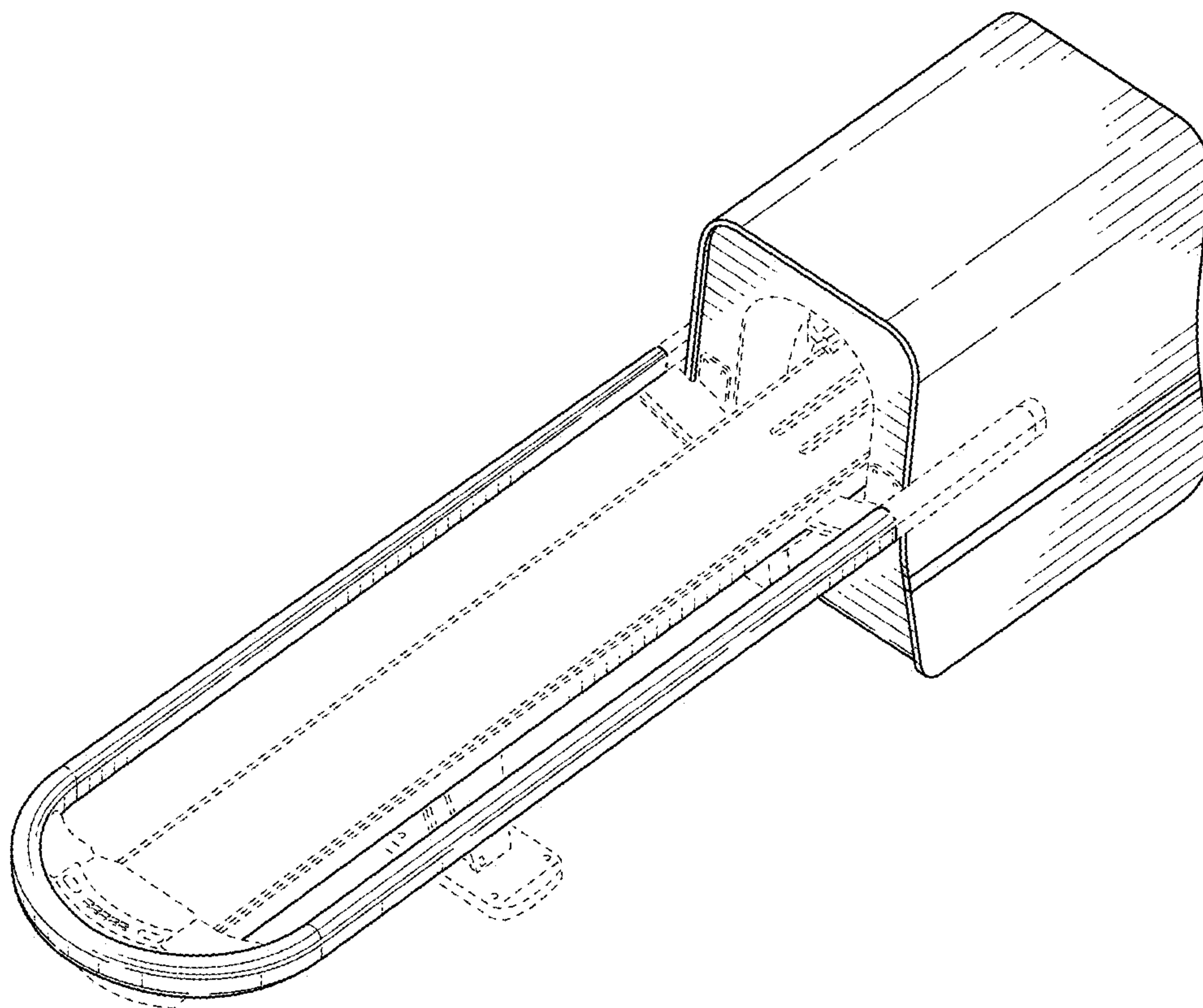


FIG. 15

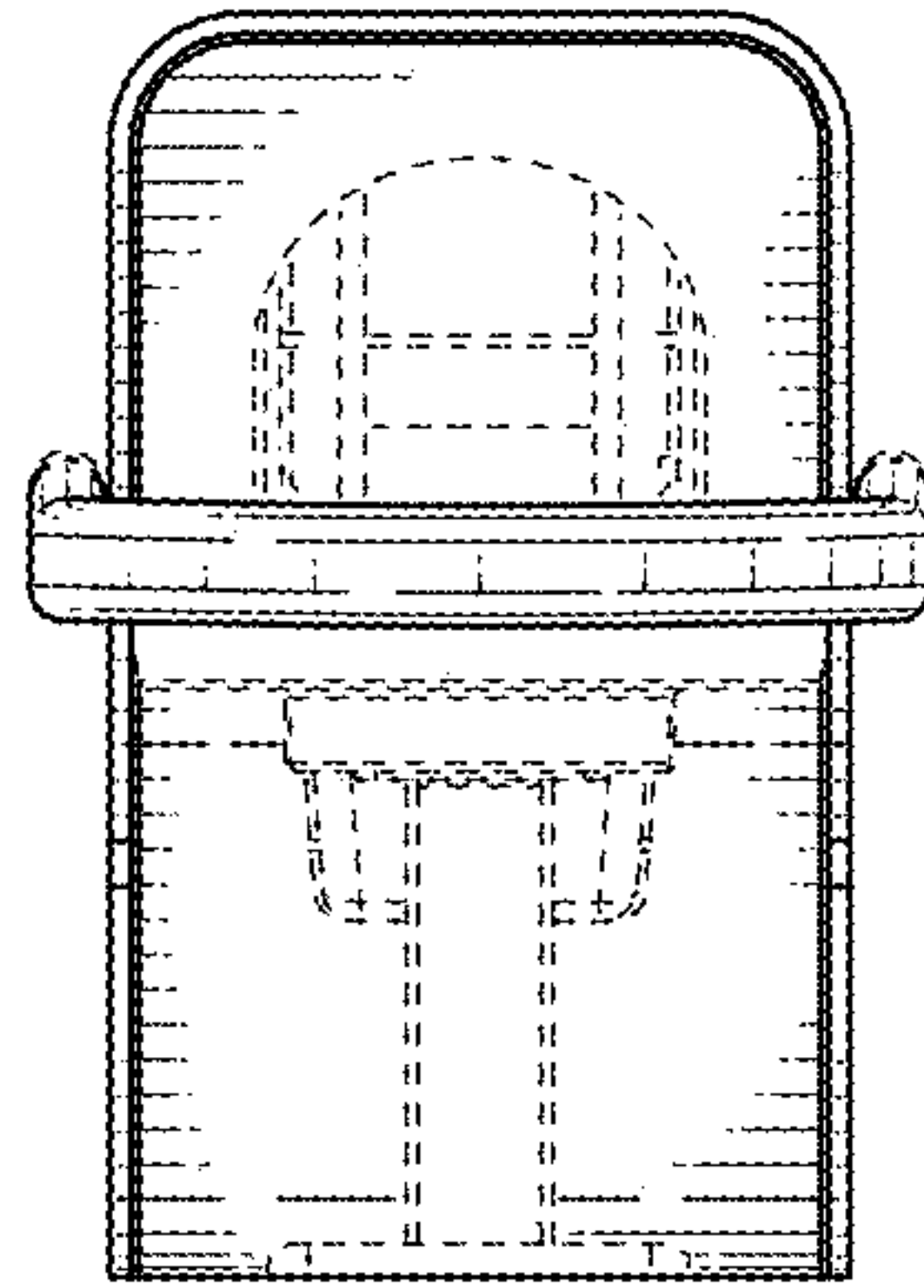


FIG. 16

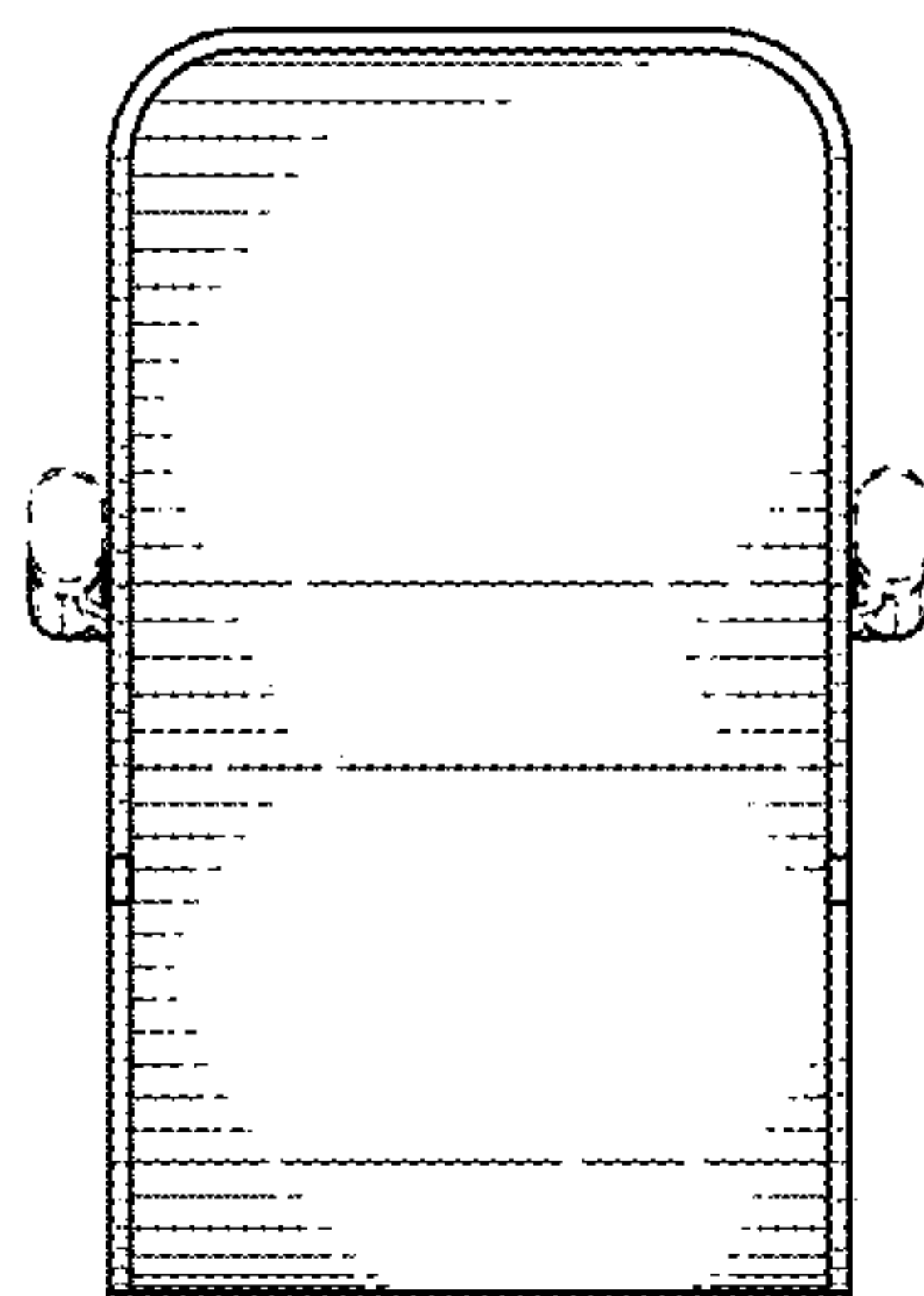


FIG. 17

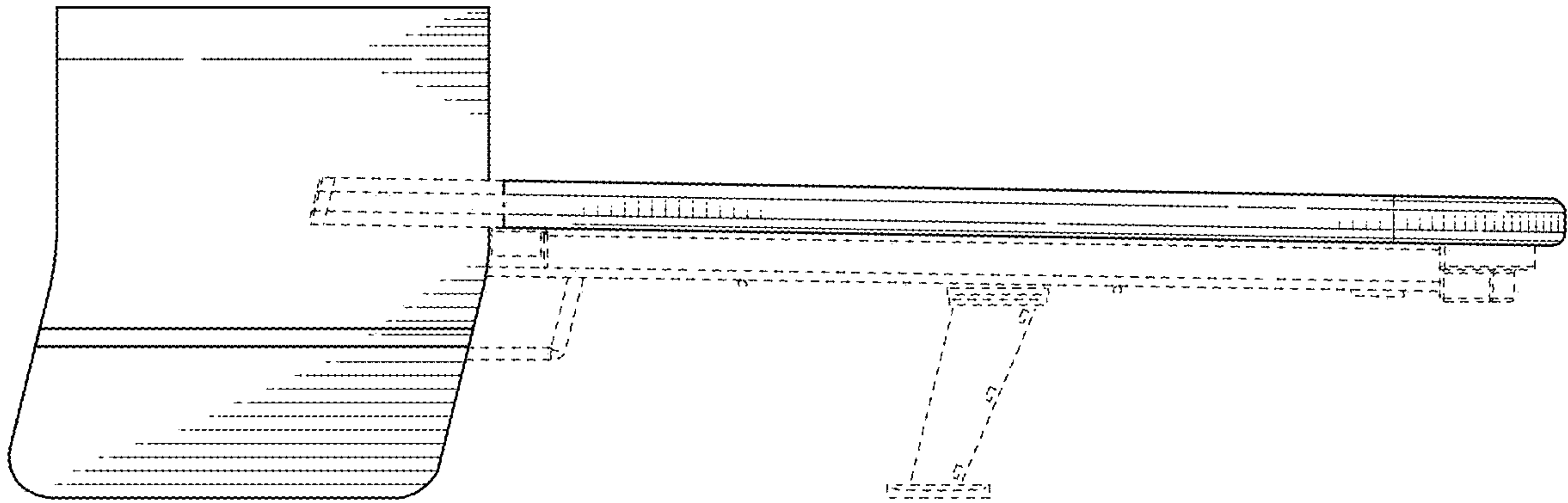


FIG. 18

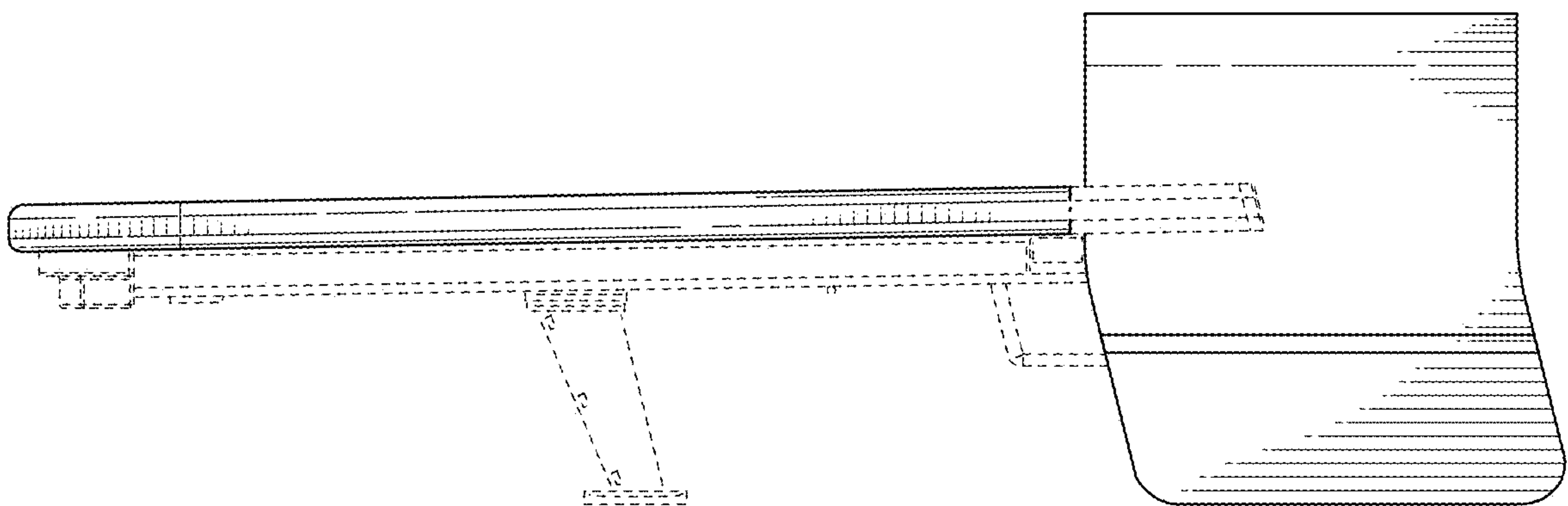


FIG. 19

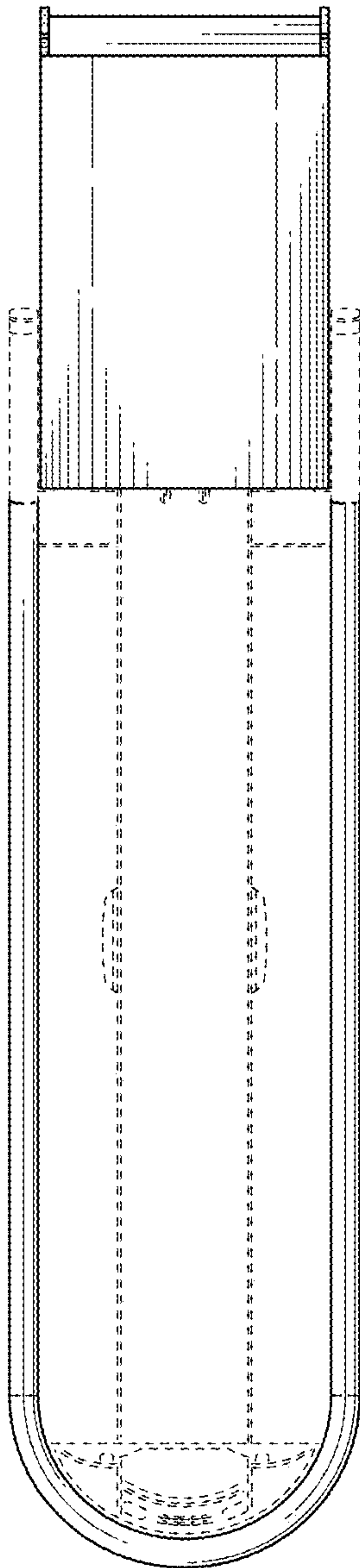


FIG. 20

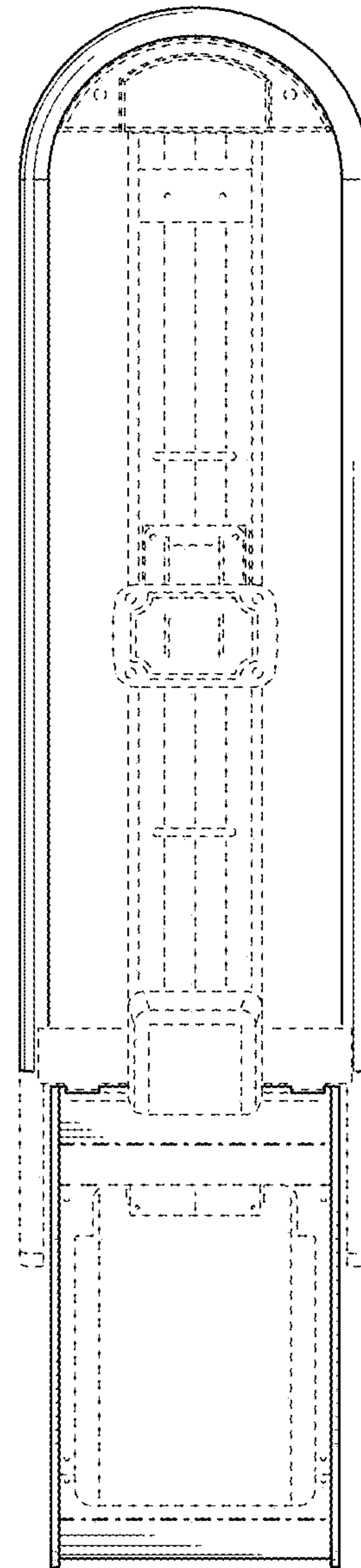


FIG. 21

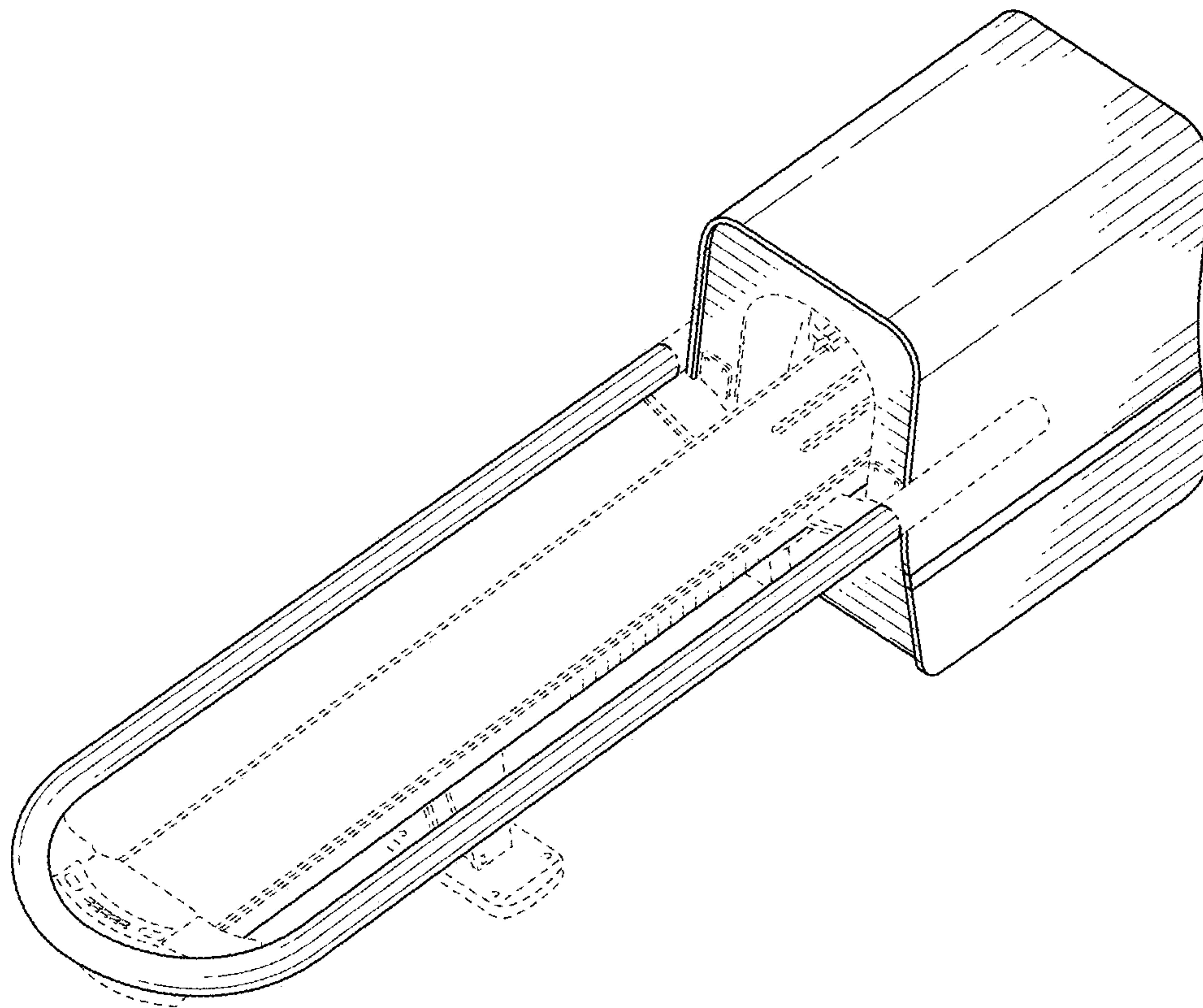


FIG. 22

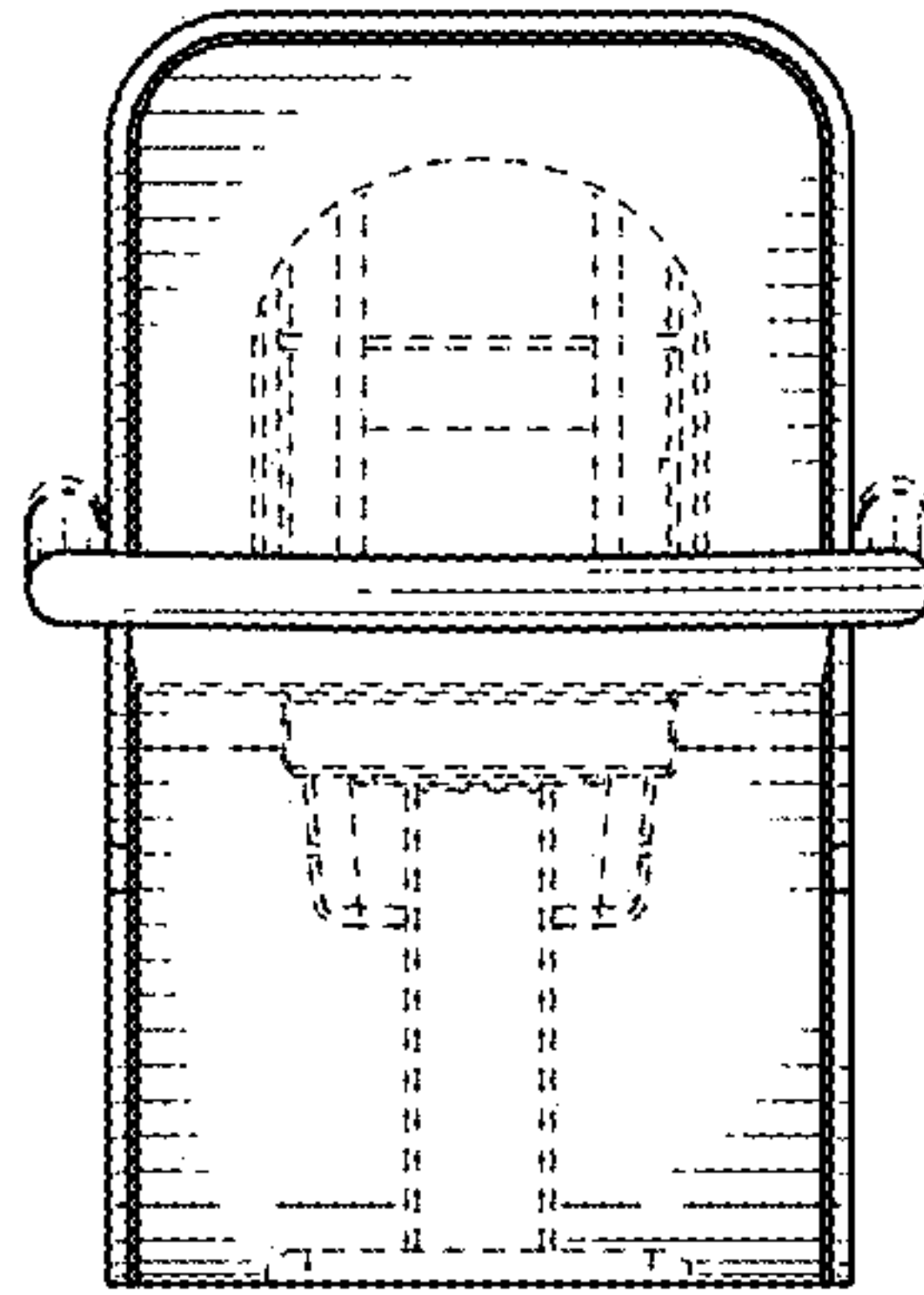


FIG. 23

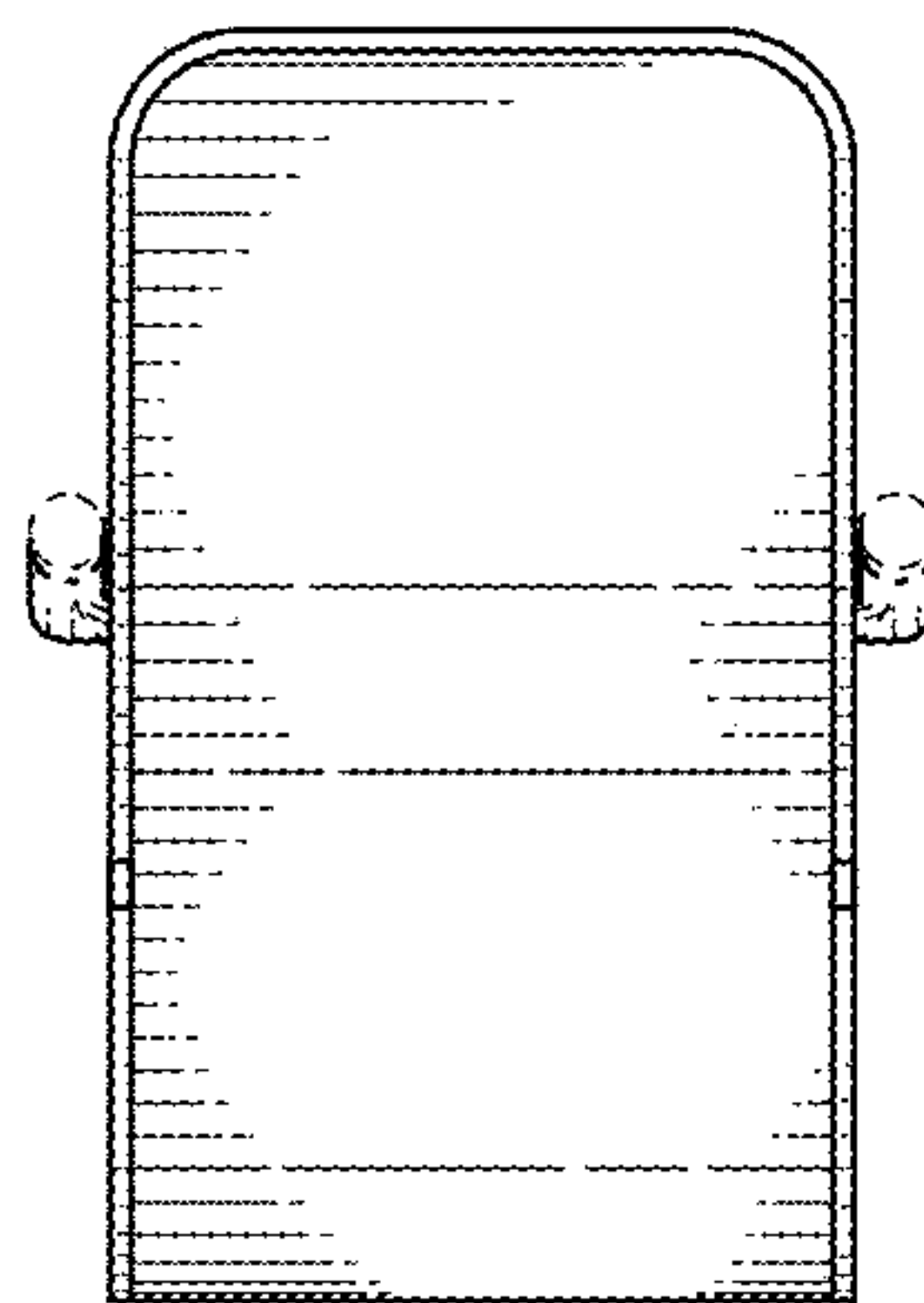


FIG. 24

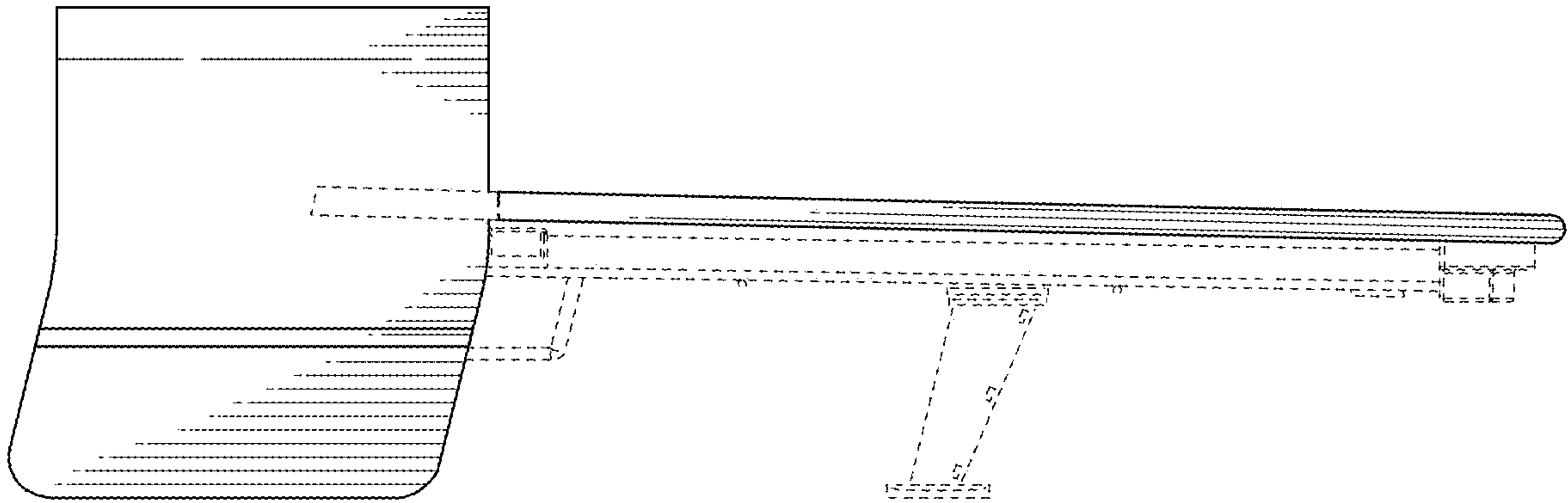


FIG. 25

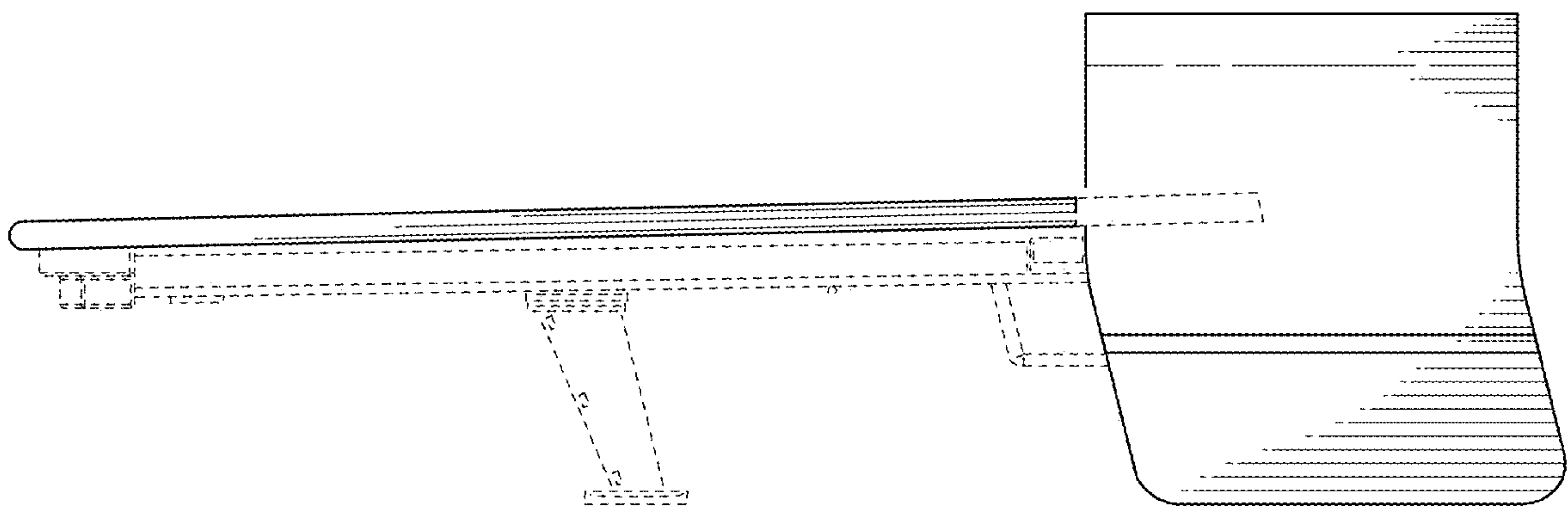


FIG. 26

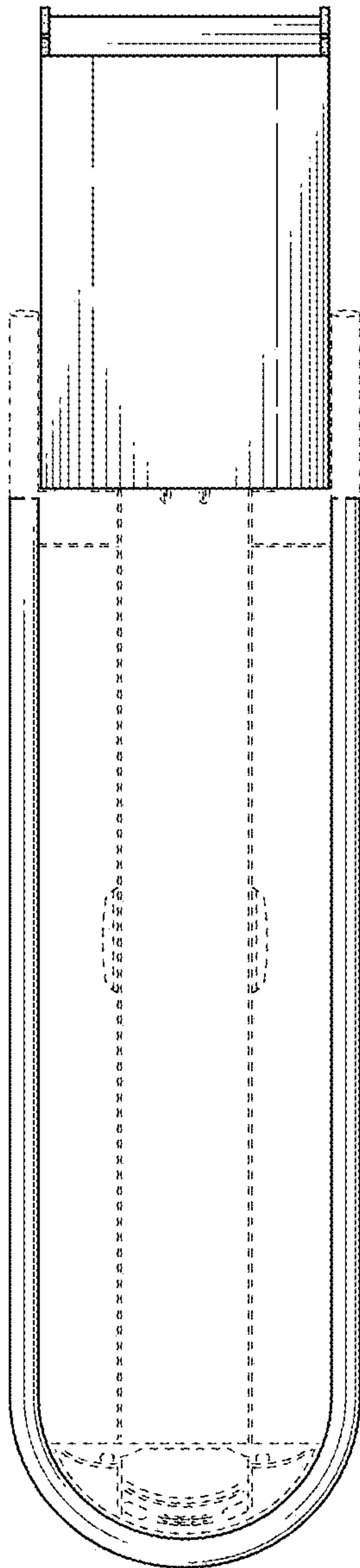


FIG. 27

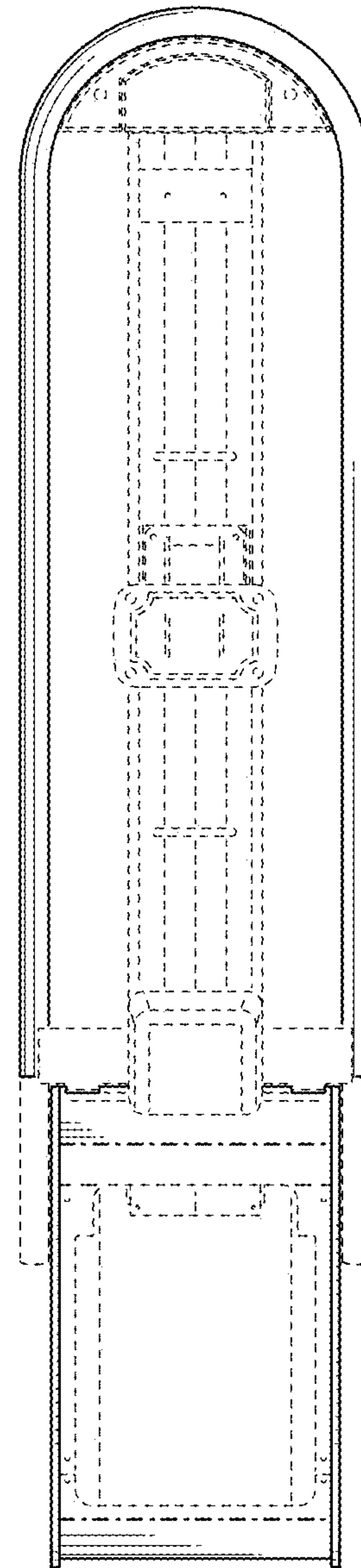


FIG. 28

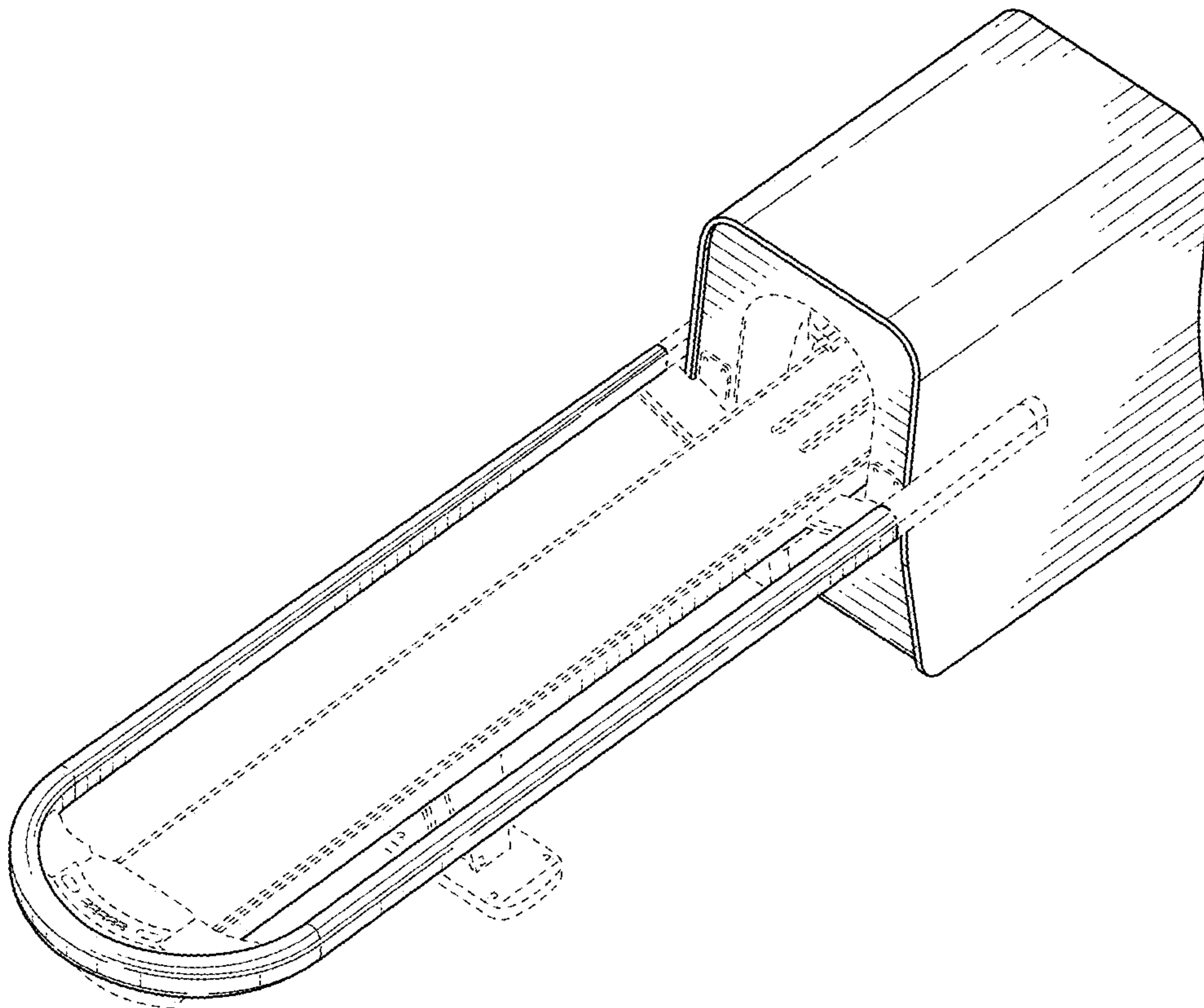


FIG. 29

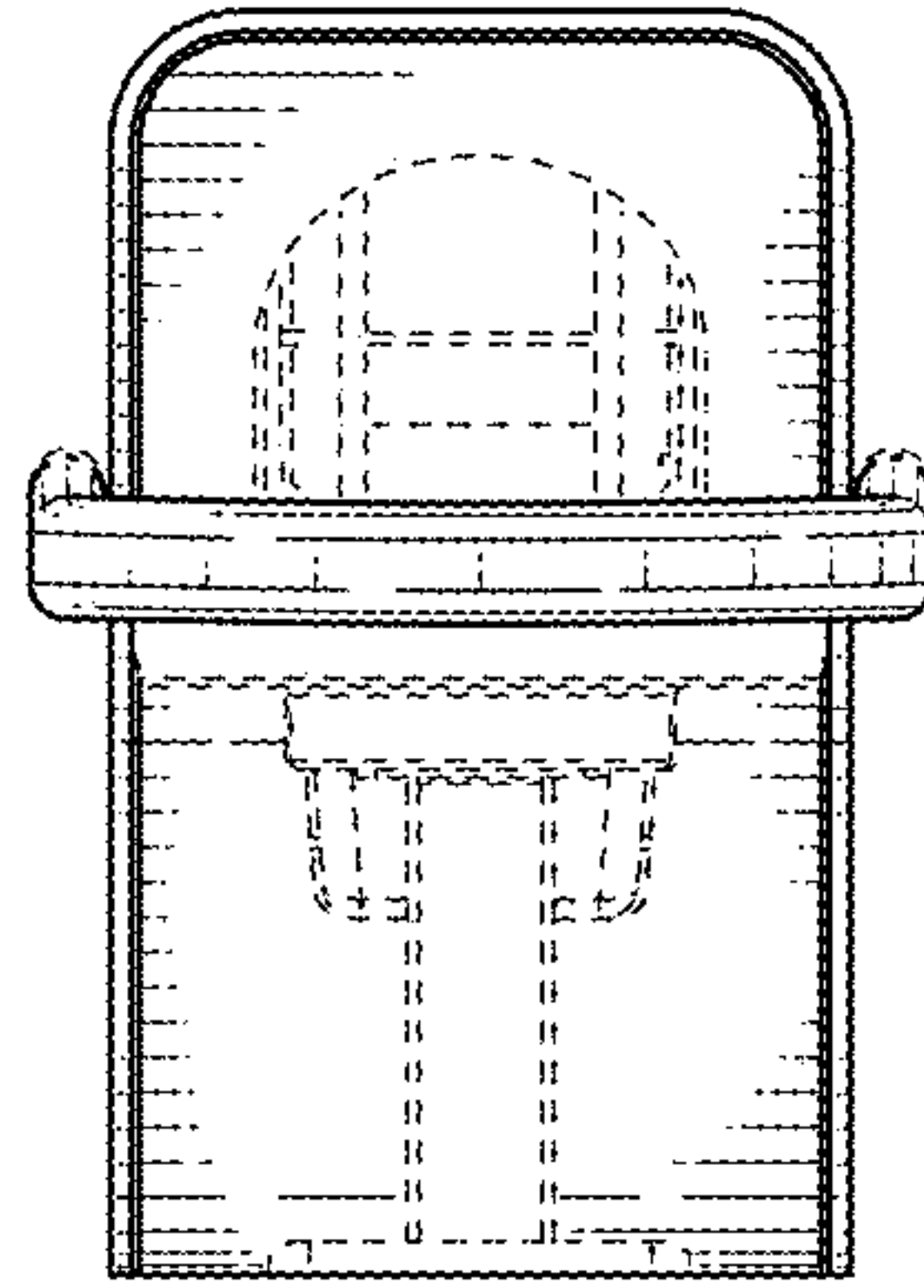


FIG. 30

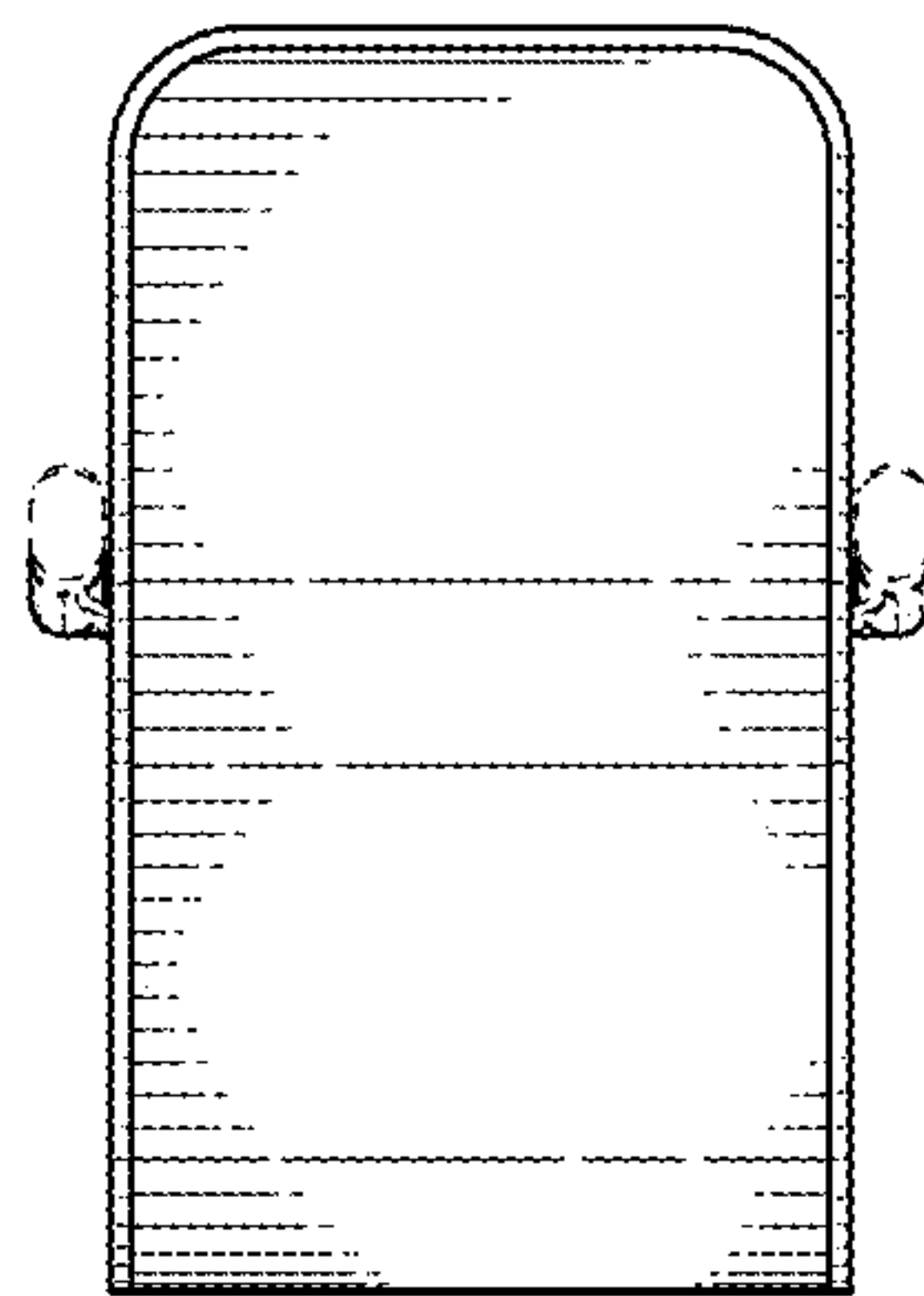


FIG. 31

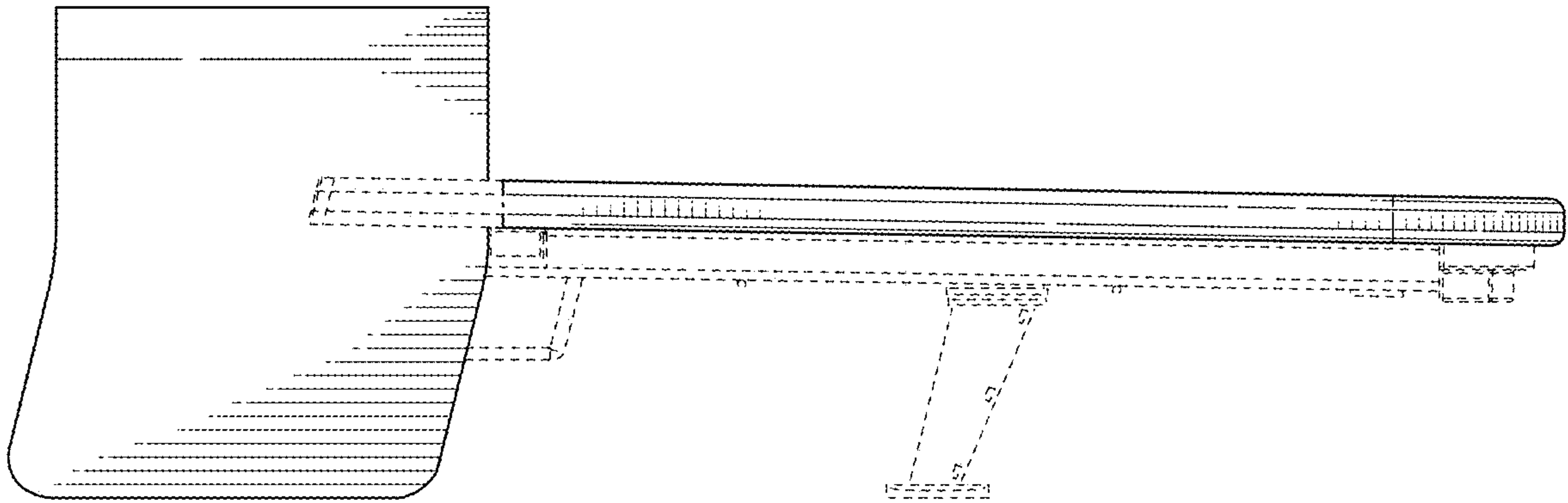


FIG. 32

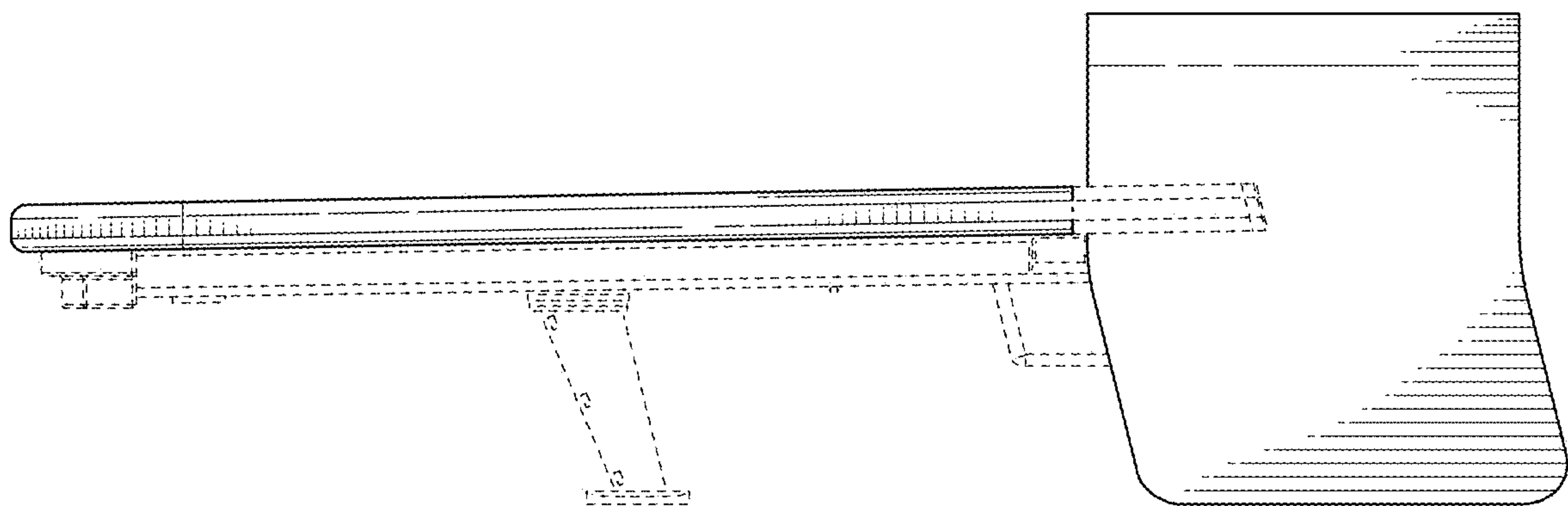


FIG. 33

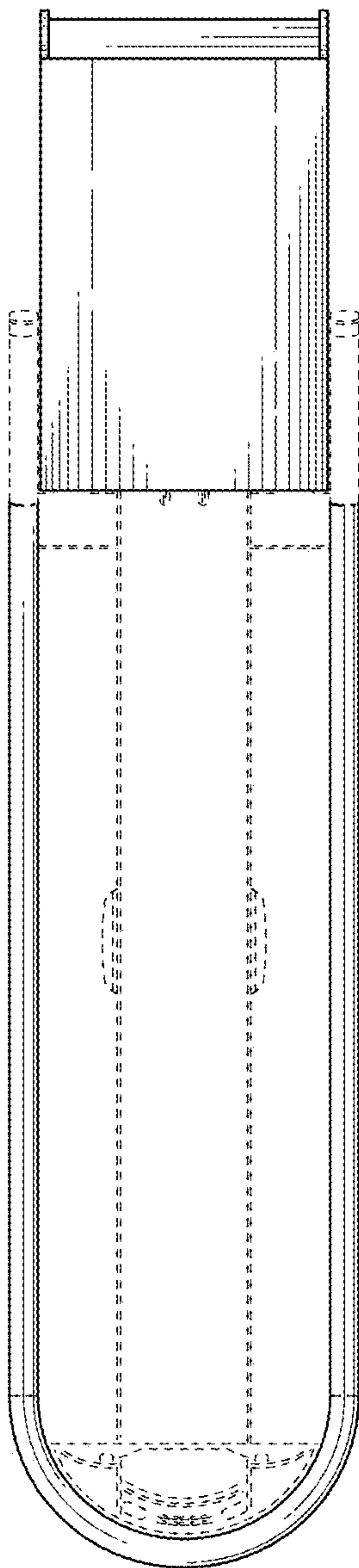


FIG. 34

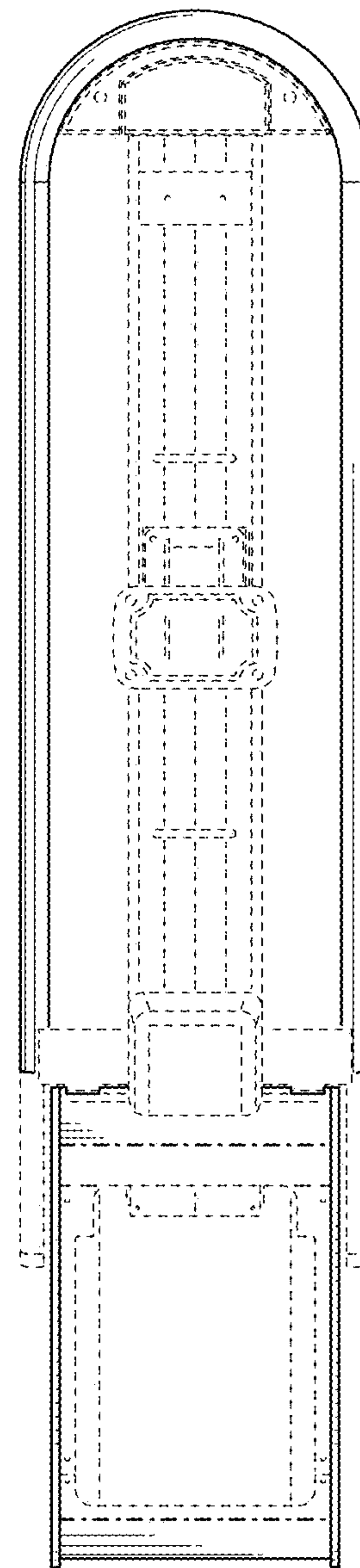


FIG. 35

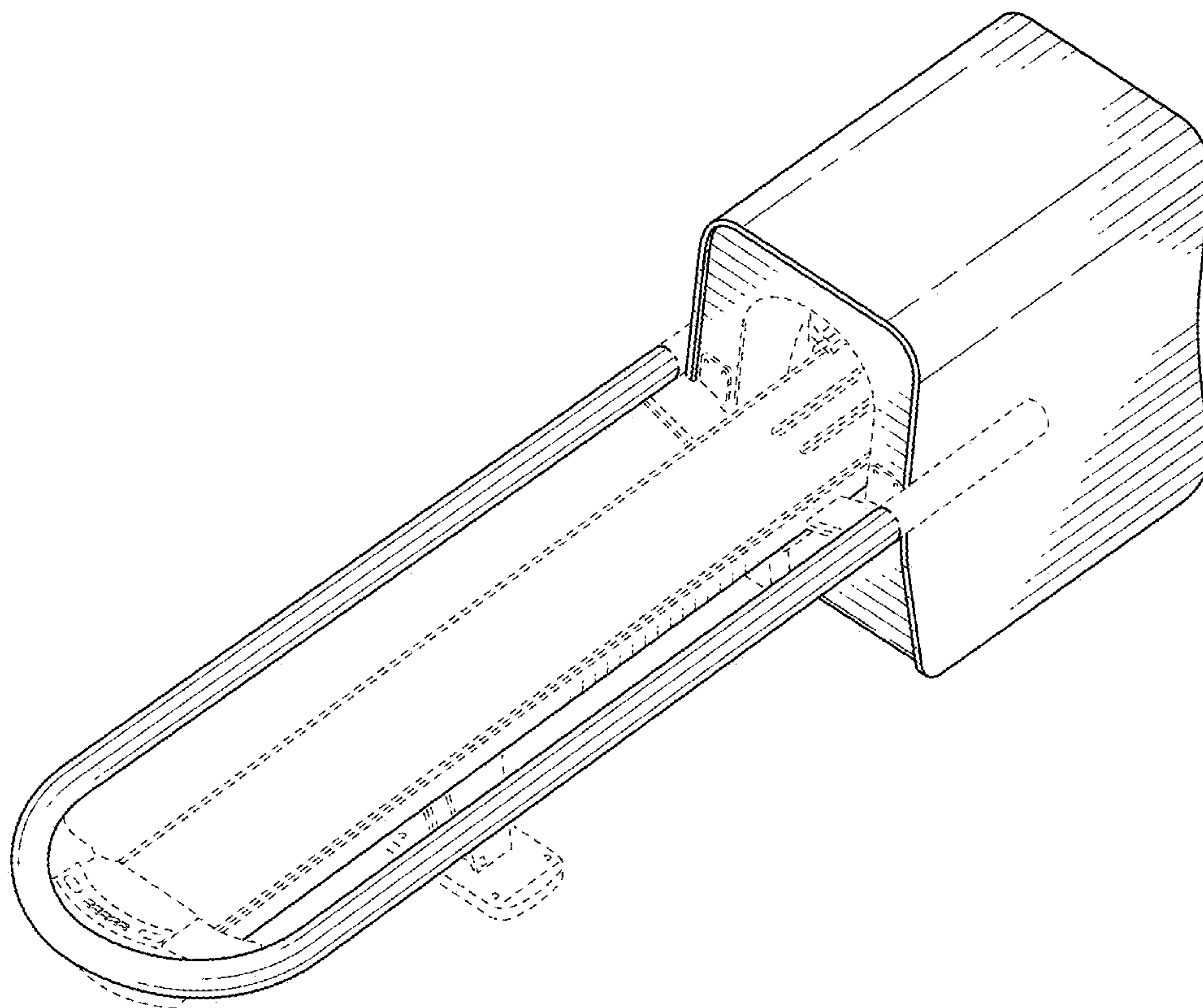


FIG. 36

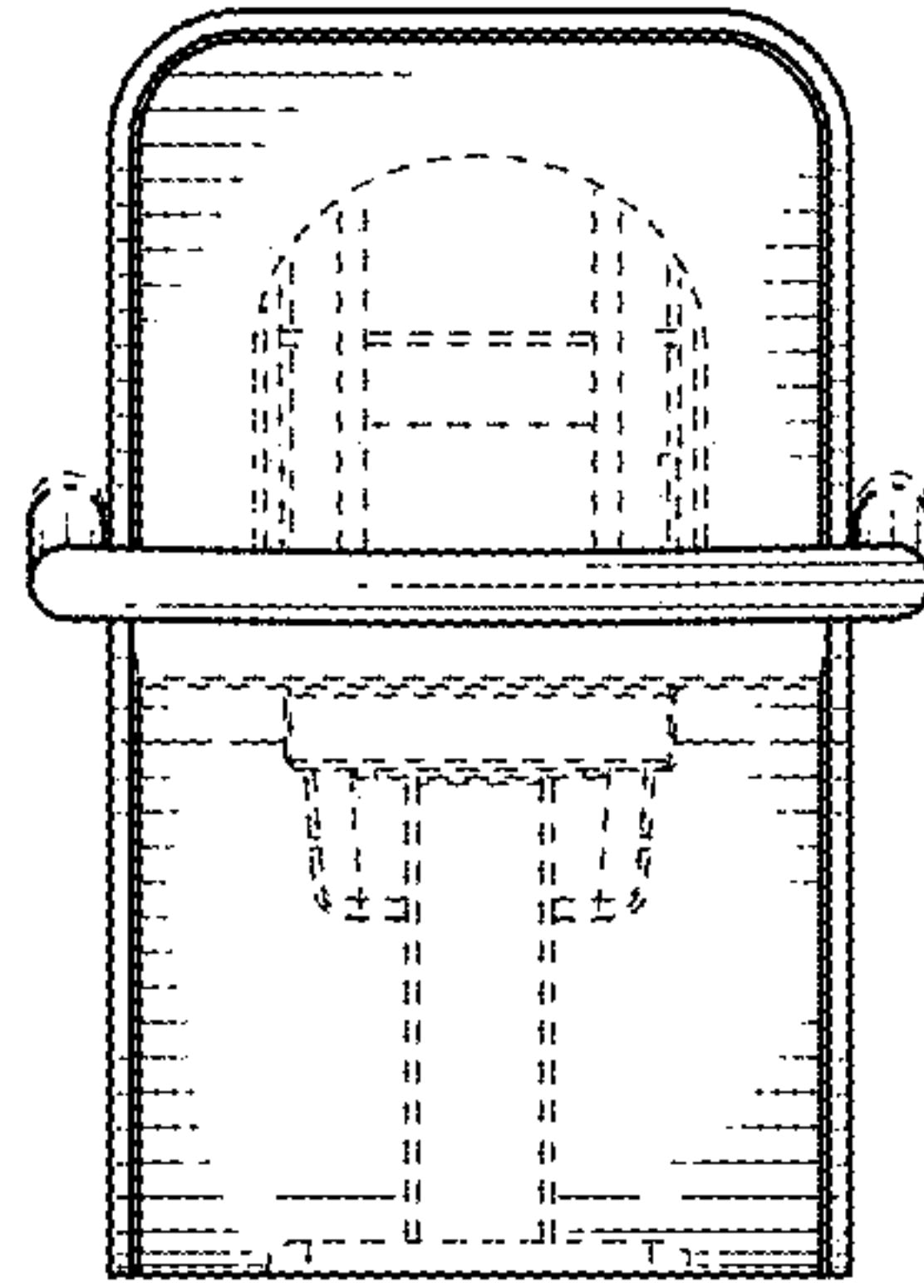


FIG. 37

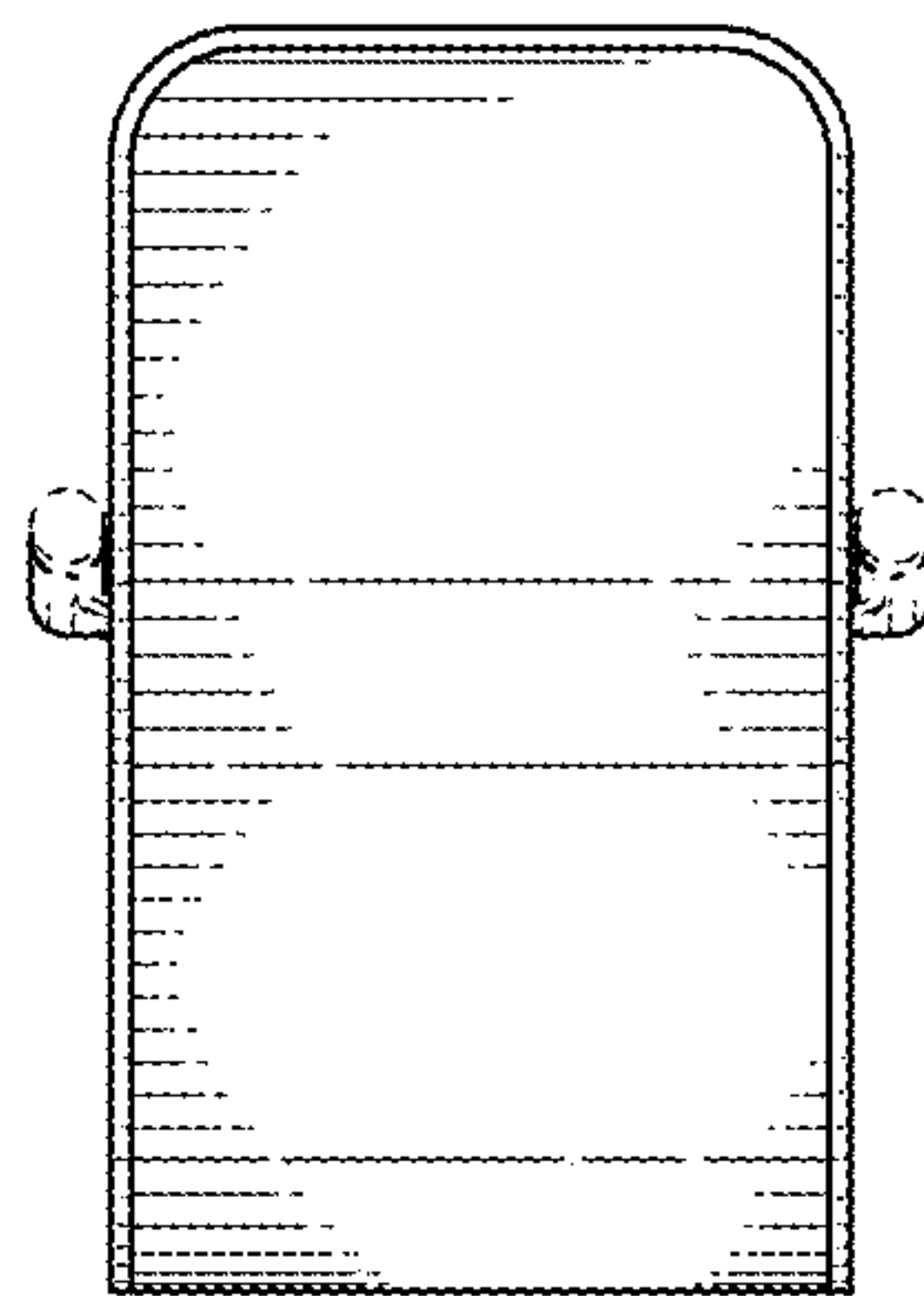


FIG. 38

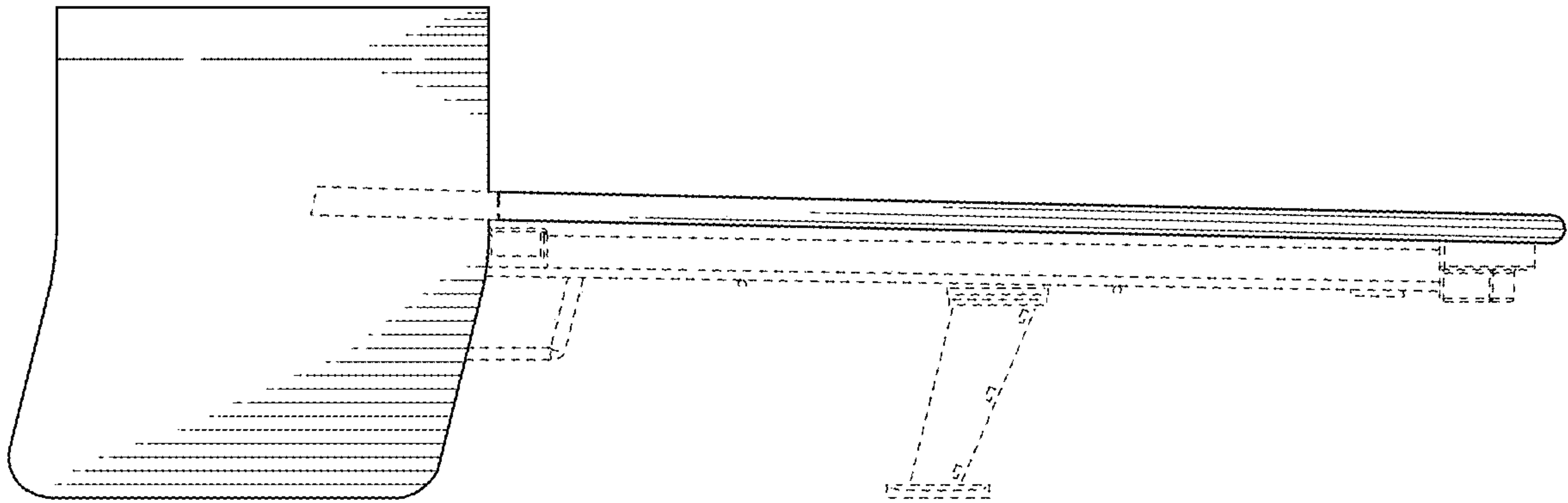


FIG. 39

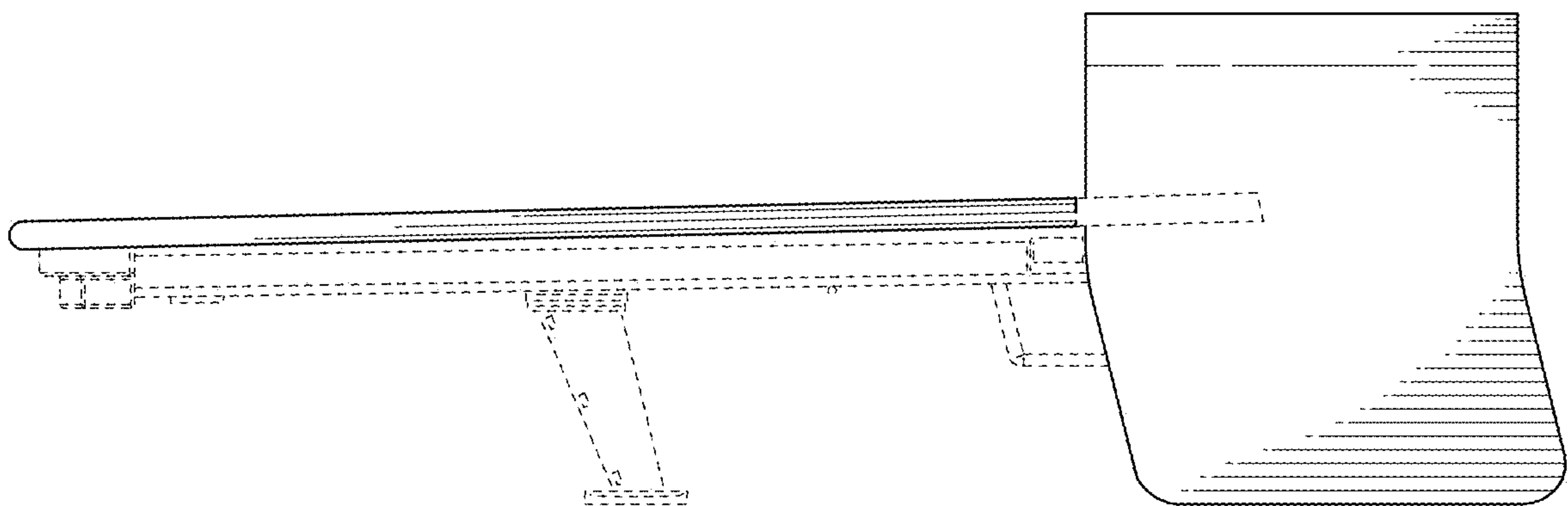


FIG. 40

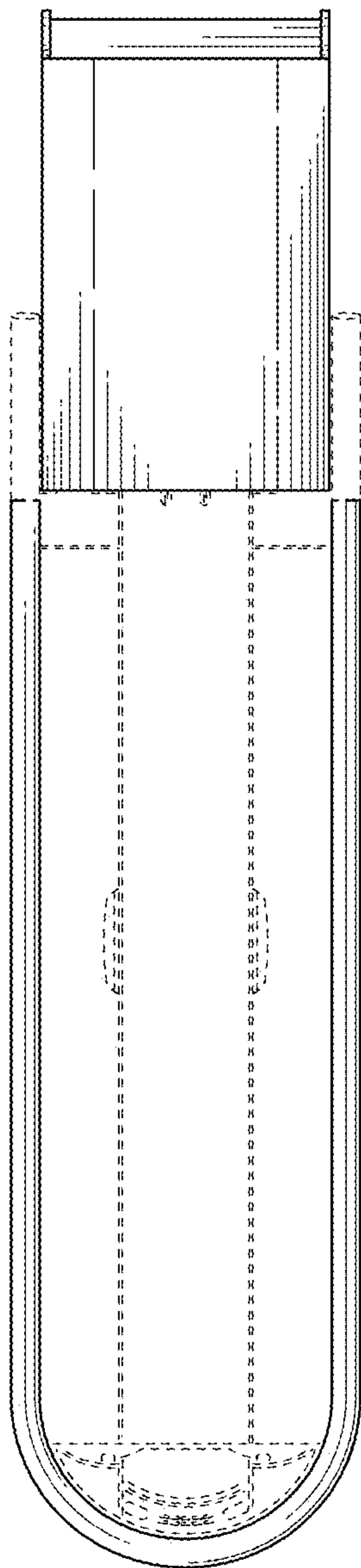


FIG. 41

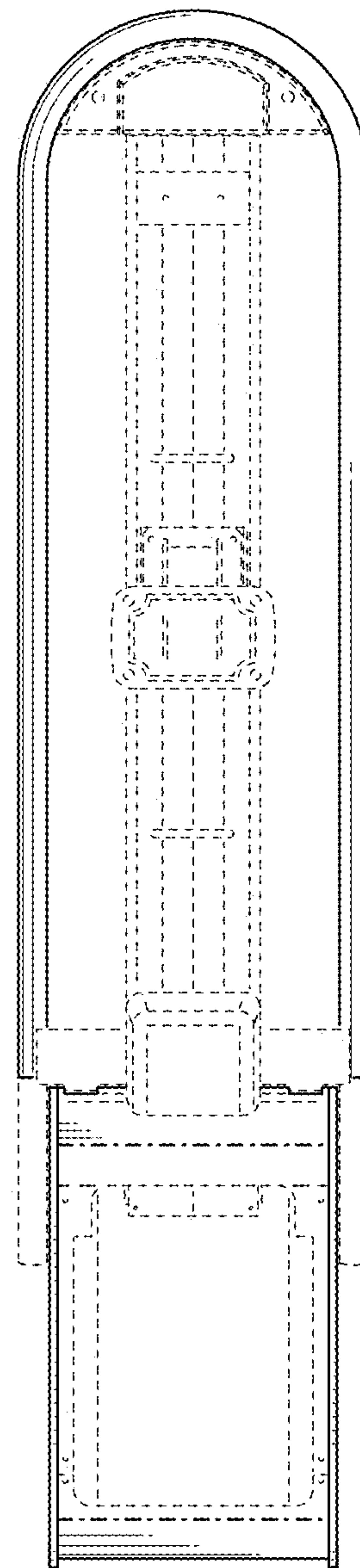


FIG. 42