



US00D891549S

(12) **United States Design Patent**
Han

(10) **Patent No.:** **US D891,549 S**

(45) **Date of Patent:** **** Jul. 28, 2020**

(54) **SKATEBOARD**

(71) Applicant: **Shenzhen Dongboshi Technology Co., Ltd.**, Shenzhen (CN)

(72) Inventor: **Xiaodong Han**, Shenzhen (CN)

(73) Assignee: **Shenzhen Dongboshi Technology Co., Ltd.**, Shenzhen (CN)

(**) Term: **15 Years**

(21) Appl. No.: **29/695,165**

(22) Filed: **Jun. 17, 2019**

(30) **Foreign Application Priority Data**

Dec. 19, 2018 (CN) 2018 3 0740325

(51) **LOC (12) Cl.** **21-02**

(52) **U.S. Cl.**
USPC **D21/765**

(58) **Field of Classification Search**
USPC D21/419, 421, 423, 426, 662, 760, 765,
D21/766, 769, 771, 776
CPC A63C 17/01; A63C 17/011; A63C 17/012;
A63C 17/014; A63C 17/015; A63C
17/02; A63C 17/26; A63C 5/003; B60Q
1/326; B62K 3/001
See application file for complete search history.

(56) **References Cited**

U.S. PATENT DOCUMENTS

D405,141 S * 2/1999 Bonzanigo D21/765
D420,715 S * 2/2000 Bonzanigo D21/765
D422,662 S * 4/2000 Edwards D21/765
D437,377 S * 2/2001 Fisher D21/765

D566,215 S * 4/2008 Ellis D21/765
D594,076 S * 6/2009 Drummer D21/765
8,336,895 B2 * 12/2012 Woodall A63C 17/01
280/87.041
8,523,205 B2 * 9/2013 Hsu A63C 17/014
280/87.041
8,925,936 B1 * 1/2015 Clos A63C 17/012
280/11.27
D741,431 S * 10/2015 Wells D21/765
2003/0075890 A1 * 4/2003 Jacobs A63C 17/262
280/87.042
2013/0206493 A1 * 8/2013 Larson A63C 17/012
180/181
2014/0210175 A1 * 7/2014 Hsu A63C 17/017
280/87.042

* cited by examiner

Primary Examiner — Cynthia M. Chin

(74) *Attorney, Agent, or Firm* — ScienBiziP, P.C.

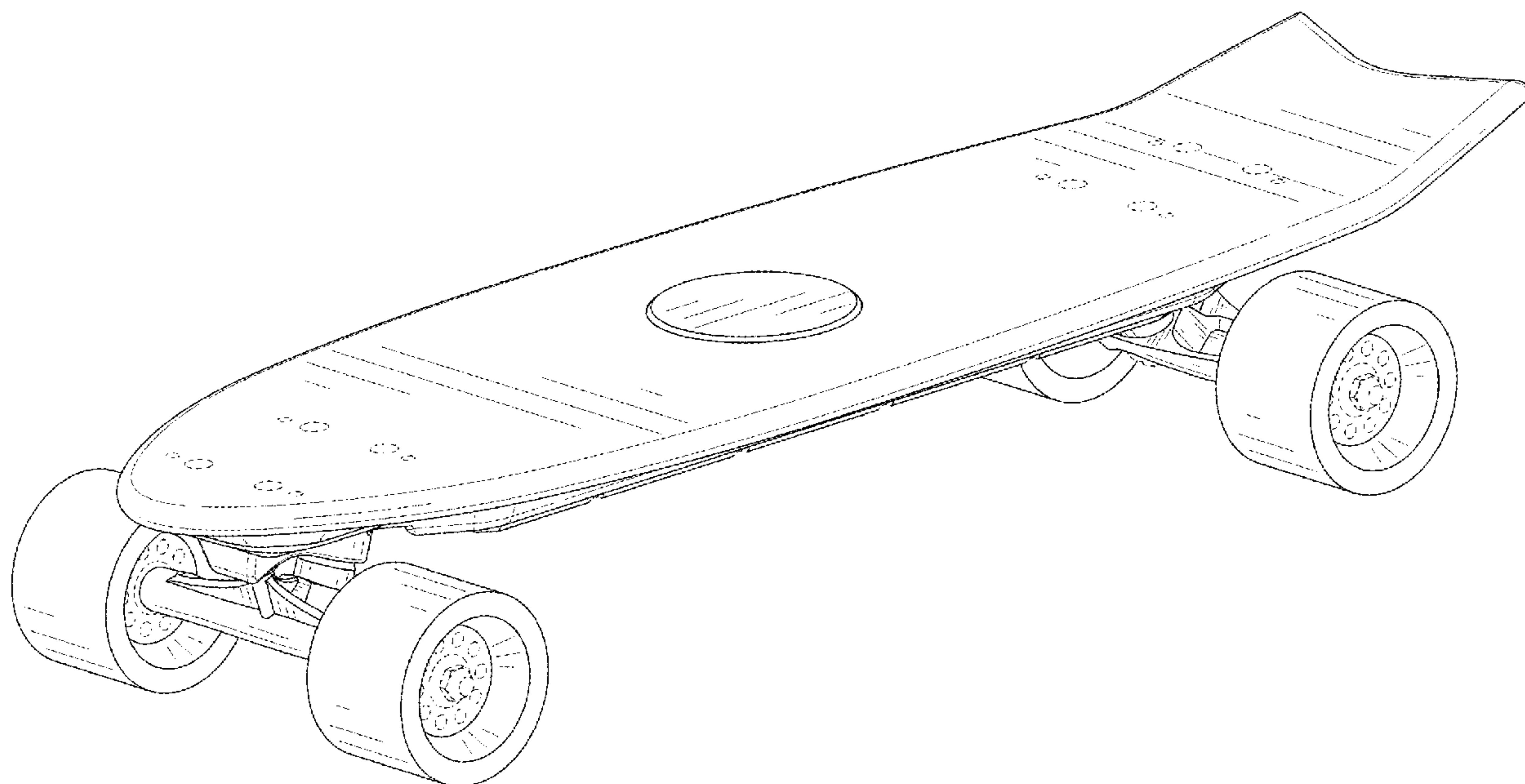
(57) **CLAIM**

The ornamental design for a skateboard, as shown and described.

DESCRIPTION

FIG. 1 is a first perspective view of a skateboard, showing my design.
FIG. 2 is a second perspective view thereof.
FIG. 3 is a front elevation view thereof.
FIG. 4 is a rear elevation view thereof.
FIG. 5 is a left side elevation view thereof.
FIG. 6 is a right side elevation view thereof.
FIG. 7 is a top plan view thereof; and,
FIG. 8 is a bottom plan view thereof.
The broken lines are for the purpose of illustrating portions of the article that form no part of the claim.

1 Claim, 8 Drawing Sheets



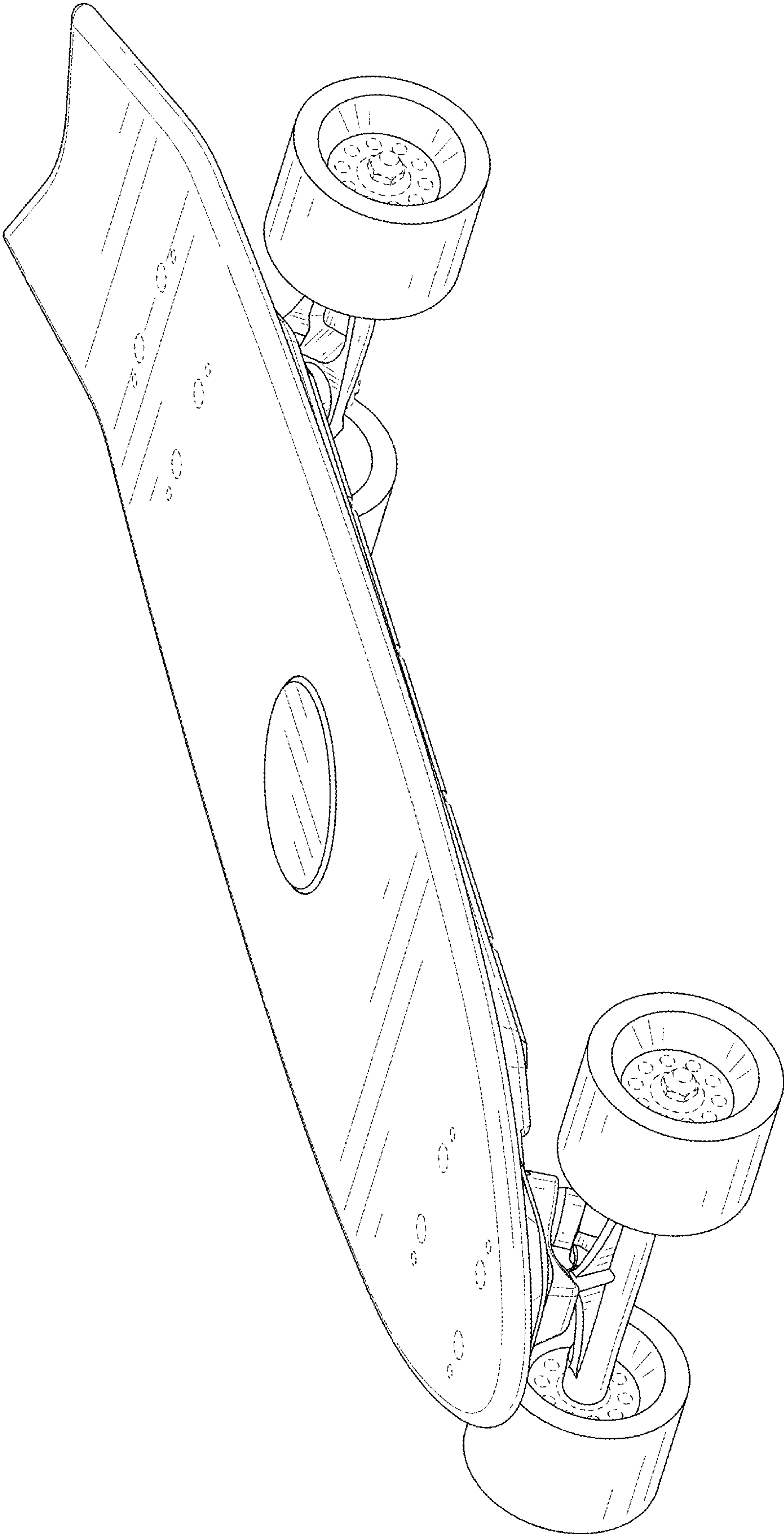


FIG. 1

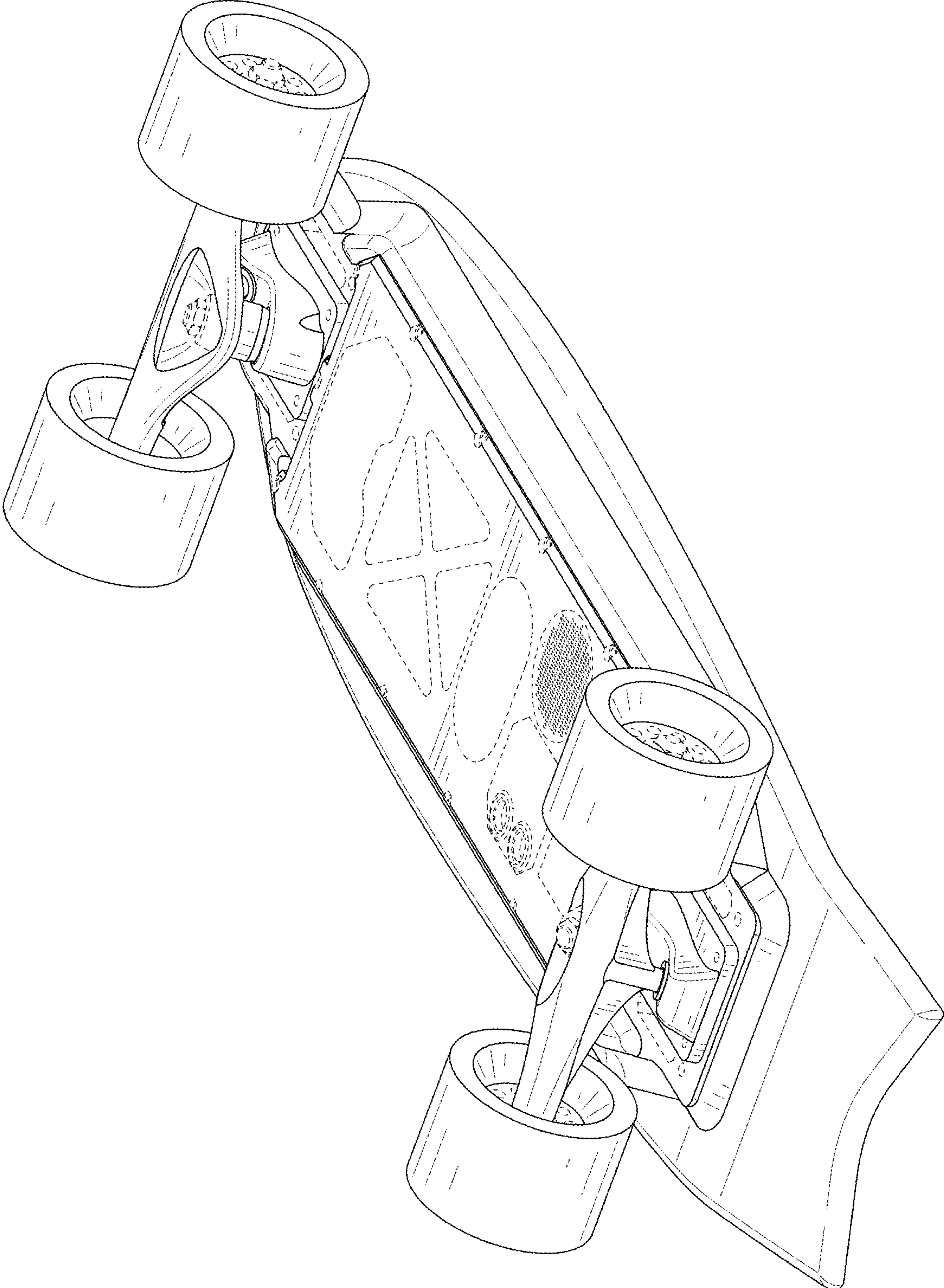


FIG. 2

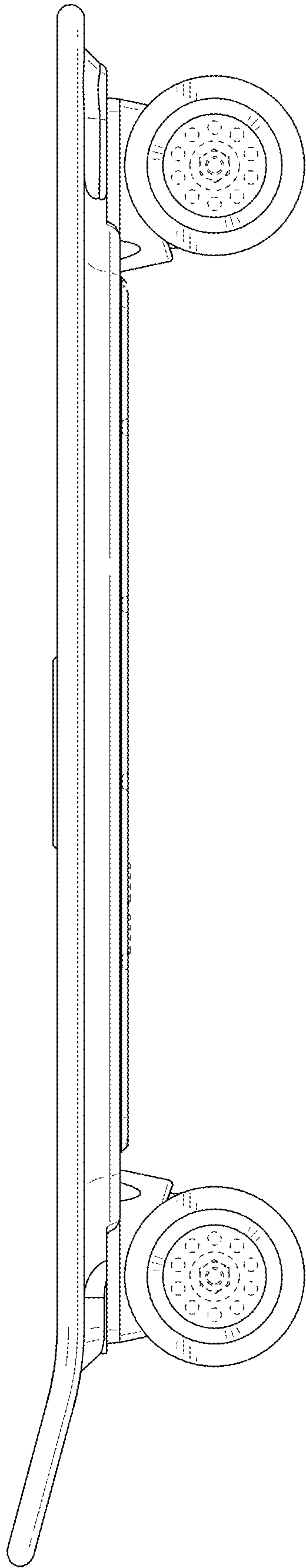


FIG. 3

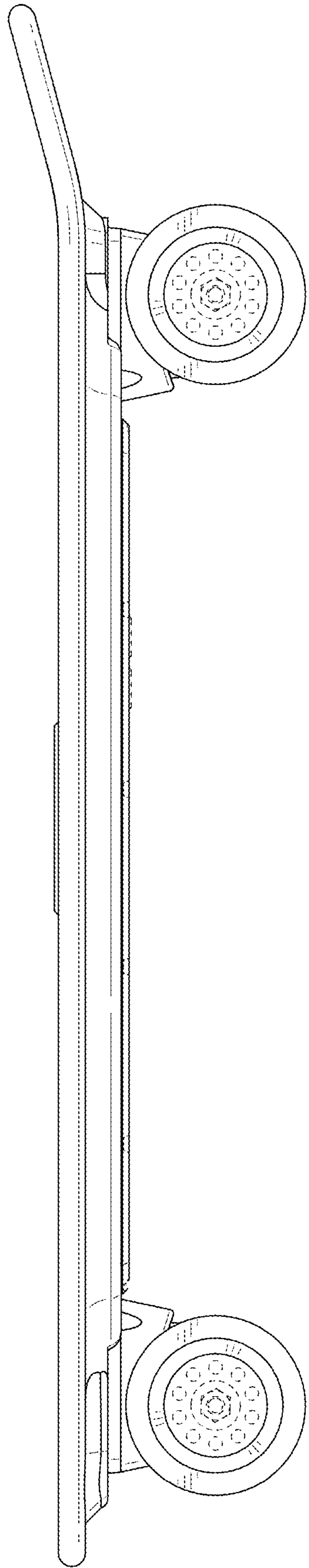


FIG. 4

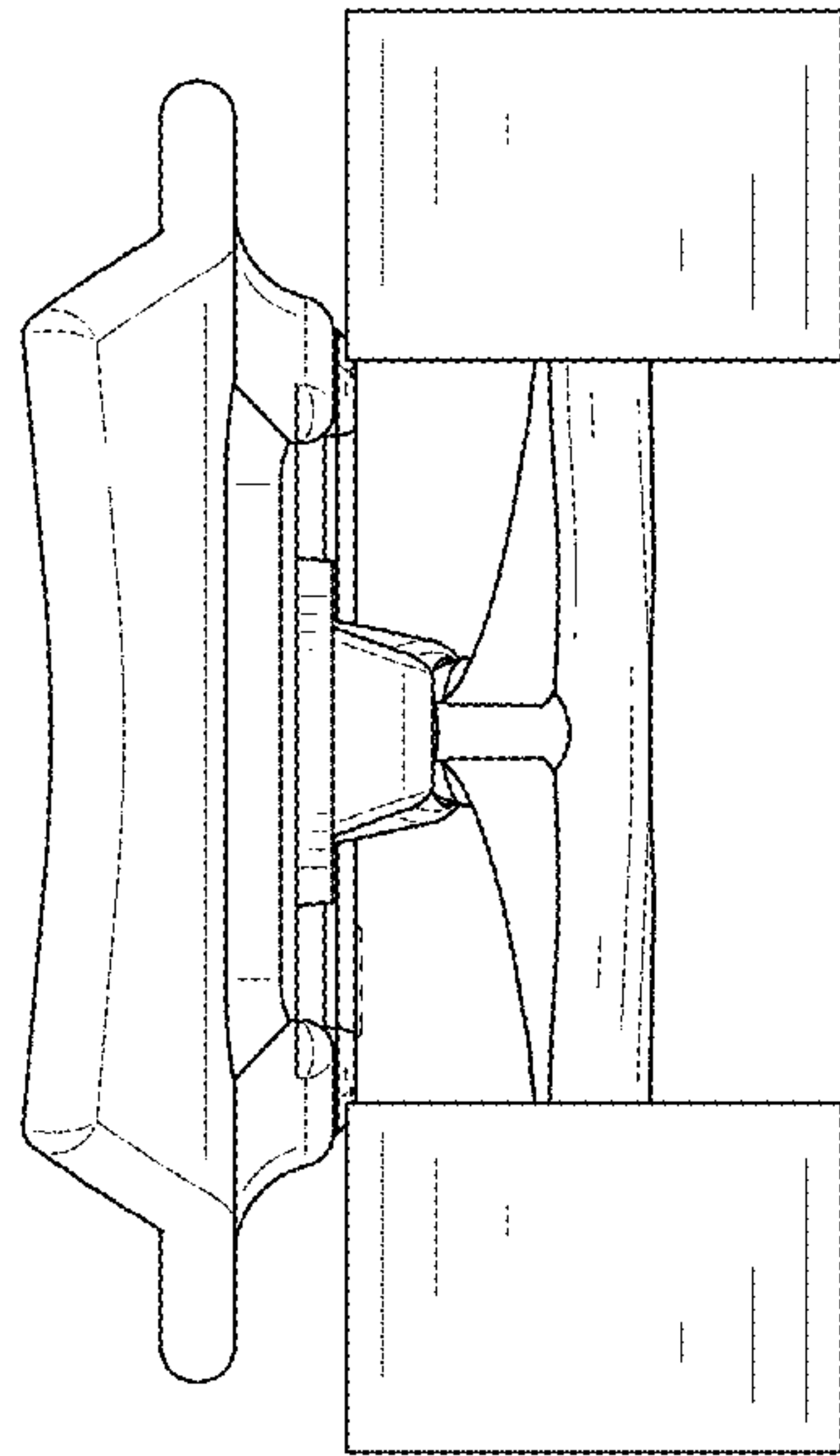


FIG. 5

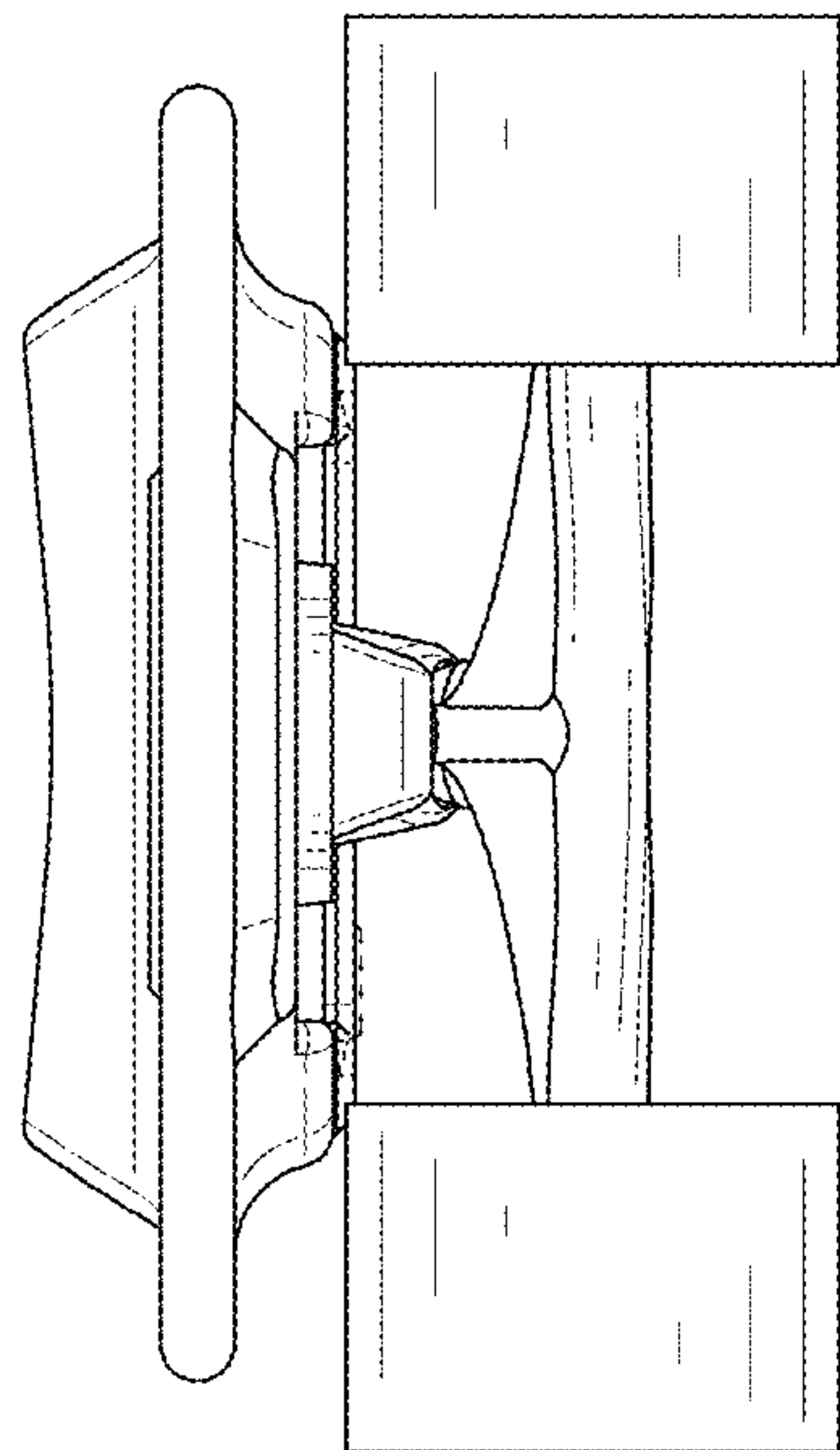


FIG. 6

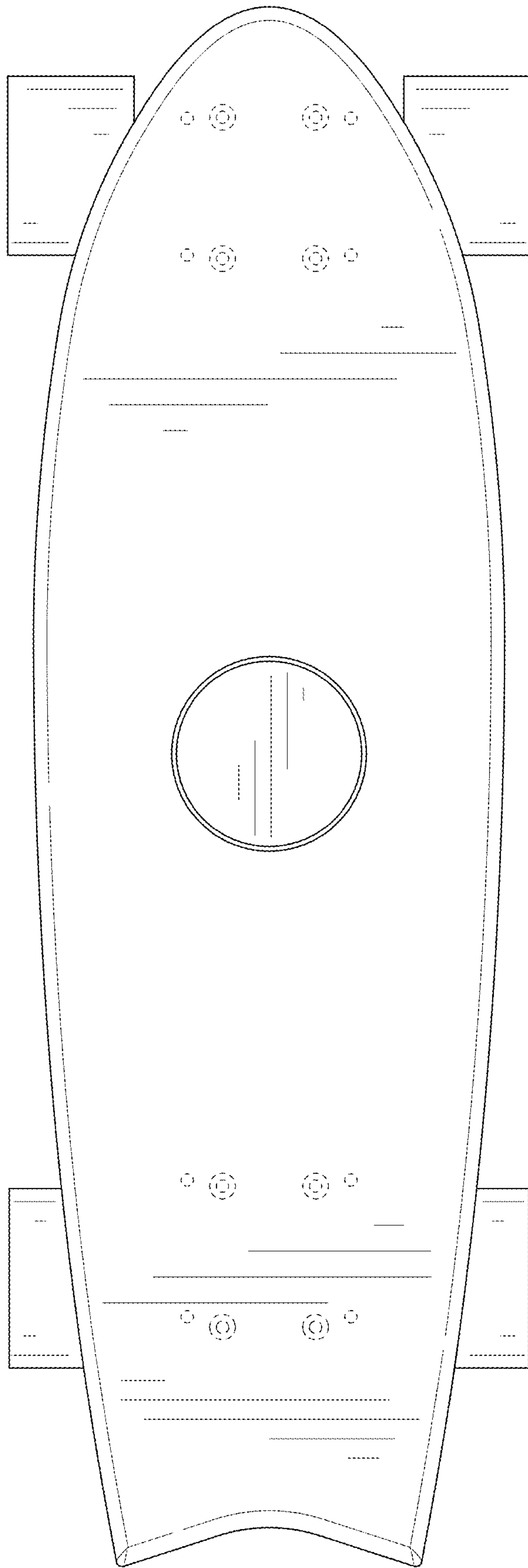


FIG. 7

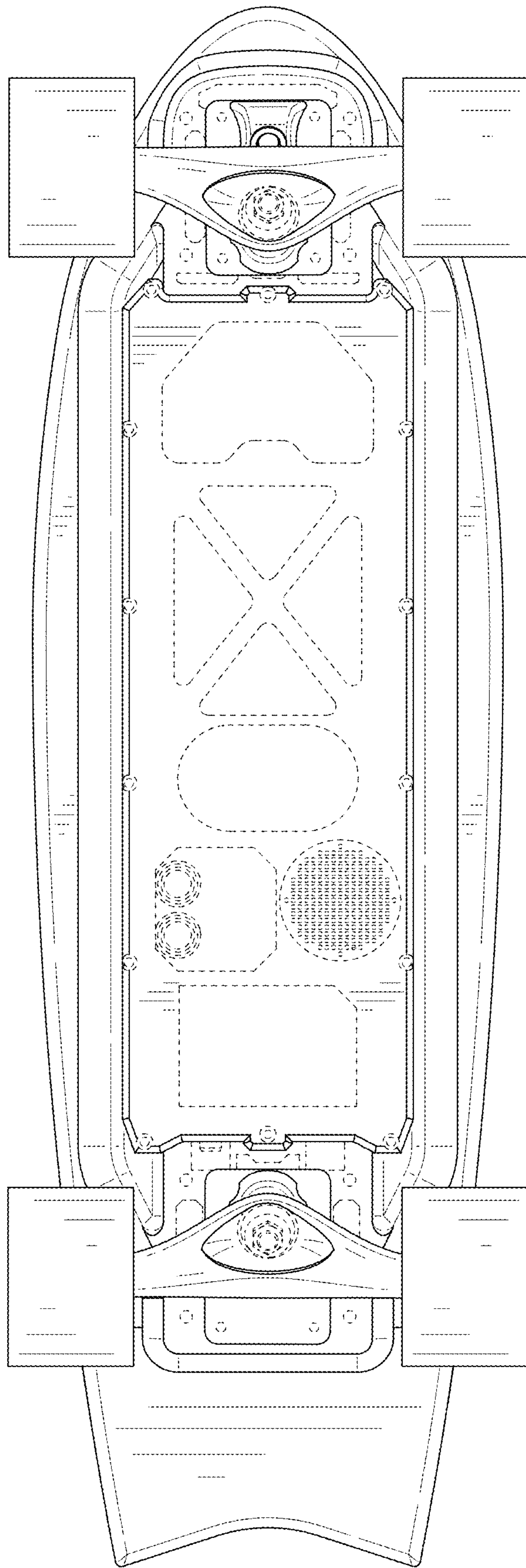


FIG. 8