



US00D891548S

(12) **United States Design Patent**  
**Wang**

(10) **Patent No.:** **US D891,548 S**

(45) **Date of Patent:** **\*\* Jul. 28, 2020**

(54) **BALANCE SCOOTER**

(71) Applicant: **Zhejiang Raymond Way Electronic Technology Co., LTD., Jinhua (CN)**

(72) Inventor: **Jun-Jie Wang, Jinhua (CN)**

(73) Assignee: **Zhejiang Raymond Way Electronic Technology Co., LTD., Jinhua (CN)**

(\*\*) Term: **15 Years**

(21) Appl. No.: **29/684,616**

(22) Filed: **Mar. 22, 2019**

(30) **Foreign Application Priority Data**

Feb. 26, 2019 (CN) ..... 2019 3 0077188

(51) **LOC (12) Cl.** ..... **21-02**

(52) **U.S. Cl.**  
USPC ..... **D21/763**

(58) **Field of Classification Search**

USPC ..... D21/419, 421, 423, 426, 760, 763, 765,  
D21/766, 769, 771, 776, 803; D12/1

CPC ..... A63C 17/01; A63C 17/12; A63C 2203/00;  
A63C 2203/011; A63C 2203/012; A63C  
2203/013; A63C 2203/40; A63C 2203/52;  
B62D 51/02; B62K 2202/00; B62K  
2207/00; B62K 2207/02; B62K 2207/04

See application file for complete search history.

(56) **References Cited**

**U.S. PATENT DOCUMENTS**

- D779,375 S \* 2/2017 Zeng ..... D12/1
- D785,114 S \* 4/2017 Ying ..... D21/760
- D787,982 S \* 5/2017 Khamenian ..... D21/763
- 9,745,013 B2 \* 8/2017 Wood ..... B62K 11/007
- D816,777 S \* 5/2018 Yang ..... D21/421
- D818,049 S \* 5/2018 Yang ..... D21/421
- D820,157 S \* 6/2018 Chen ..... D12/1

- D839,132 S \* 1/2019 Cuban ..... D12/1
- D841,516 S \* 2/2019 Khamenian ..... D12/1
- 2017/0088212 A1 \* 3/2017 Edney ..... B60W 40/13
- 2017/0106931 A1 \* 4/2017 Wood ..... B62K 11/007
- 2018/0037290 A1 \* 2/2018 Ying ..... B62K 11/007

\* cited by examiner

*Primary Examiner* — Cynthia M. Chin

(74) *Attorney, Agent, or Firm* — ScienBiziP, P.C.

(57) **CLAIM**

The ornamental design for a balance scooter, as shown and described.

**DESCRIPTION**

FIG. 1 is a first perspective view of a balance scooter, showing my design.

FIG. 2 is a second perspective view thereof.

FIG. 3 is a front elevation view thereof.

FIG. 4 is a rear elevation view thereof.

FIG. 5 is a left side elevation view thereof.

FIG. 6 is a right side elevation view thereof.

FIG. 7 is a top plan view thereof.

FIG. 8 is a bottom plan view thereof.

FIG. 9 is an enlarged view of the balance scooter taken from the right side of FIG. 1.

FIG. 10 is an enlarged view of the balance scooter taken from the right side of FIG. 2.

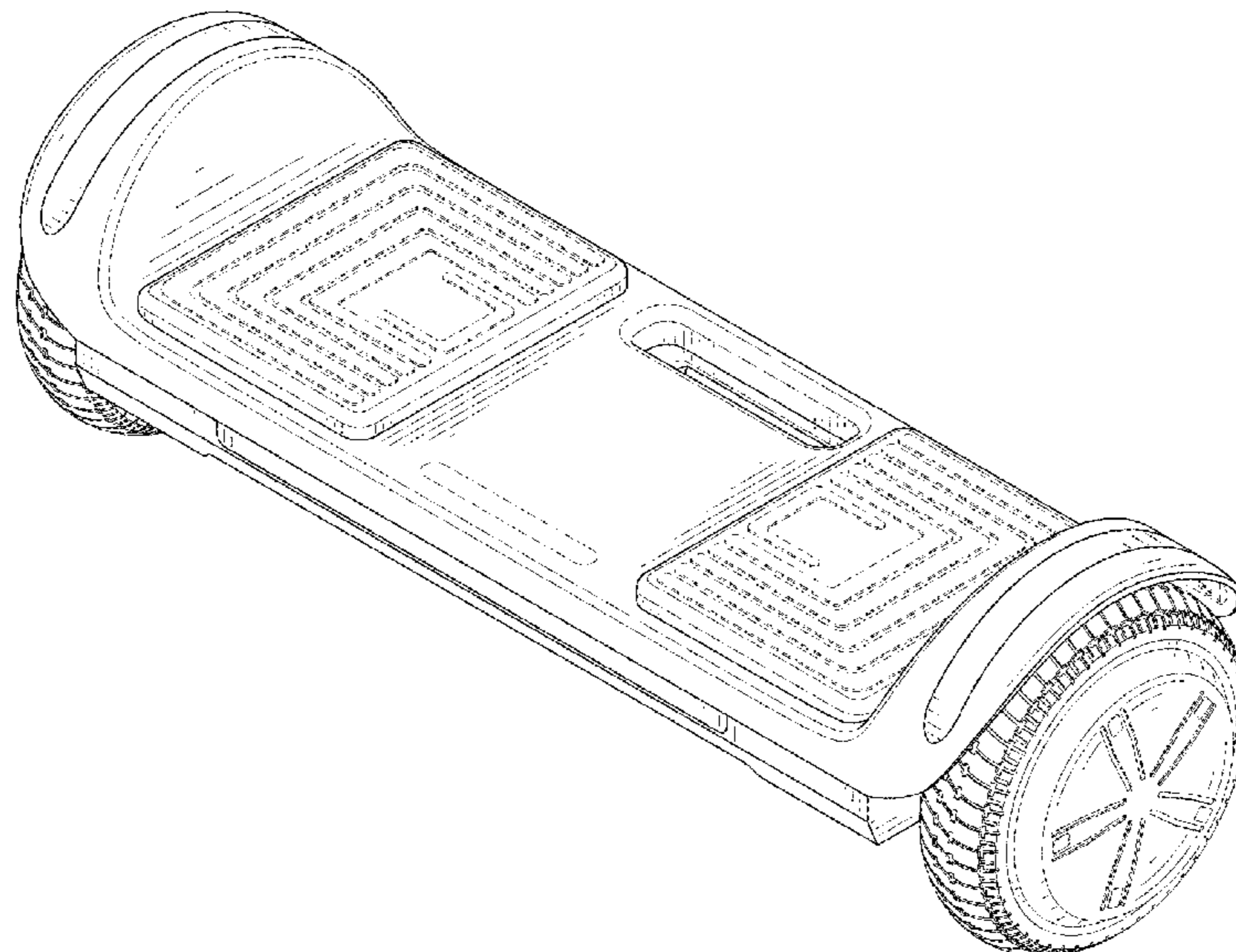
FIG. 11 is an enlarged view of the balance scooter taken from the left side of FIG. 3.

FIG. 12 is an enlarged view of the balance scooter taken from the right side of FIG. 3; and,

FIG. 13 is an enlarged view of the balance scooter taken from the bottom right side of FIG. 5.

The broken lines are for the purpose of illustrating portions of the scooter that form no part of the claimed design. The dash-dot broken lines represent the boundaries of the enlarged partial views of FIGS. 9-13 and form no part of the claimed design.

**1 Claim, 13 Drawing Sheets**



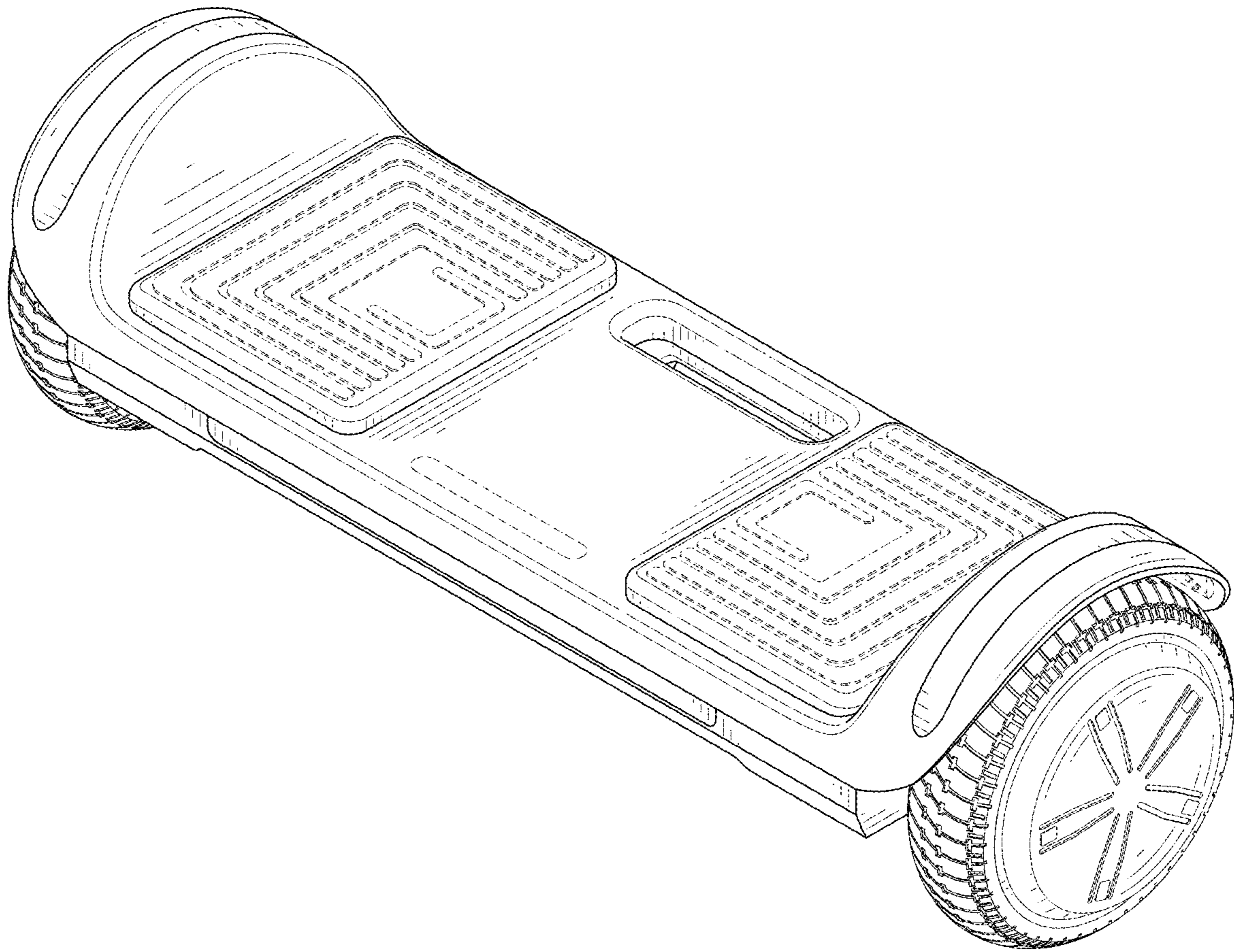


FIG. 1

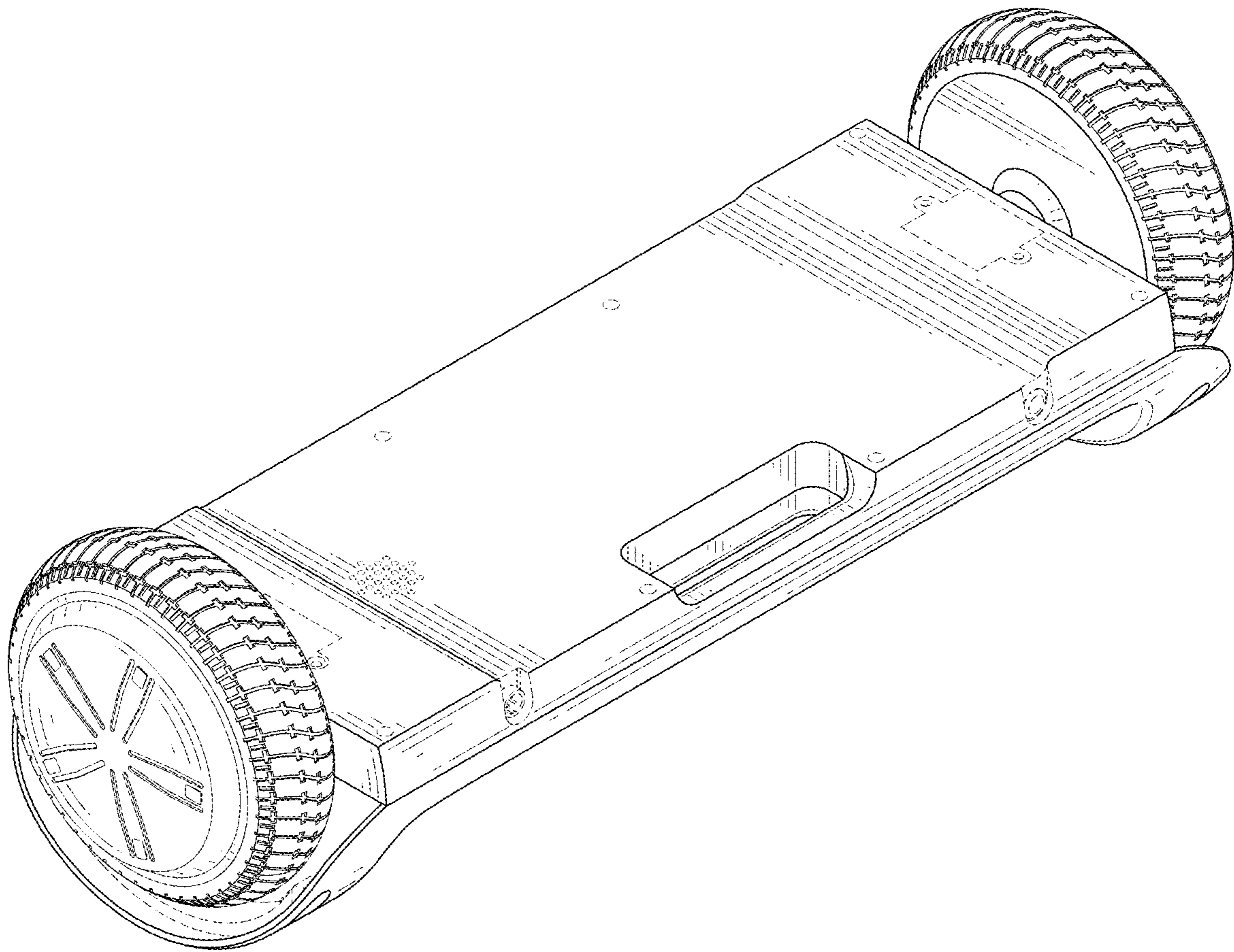


FIG. 2

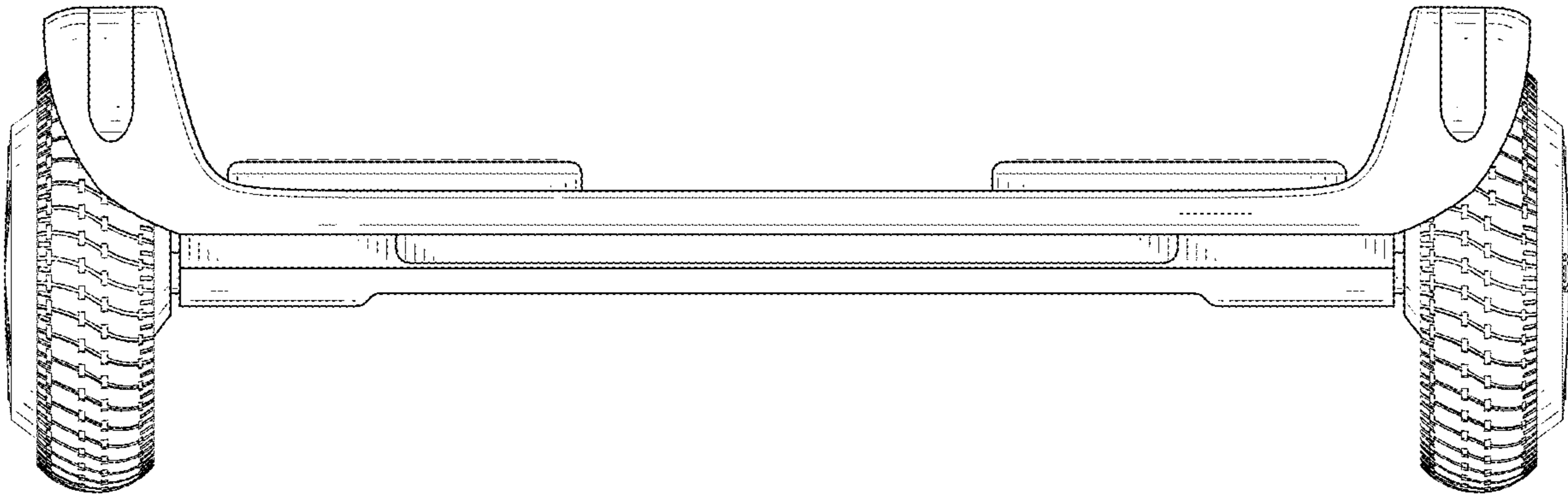


FIG. 3

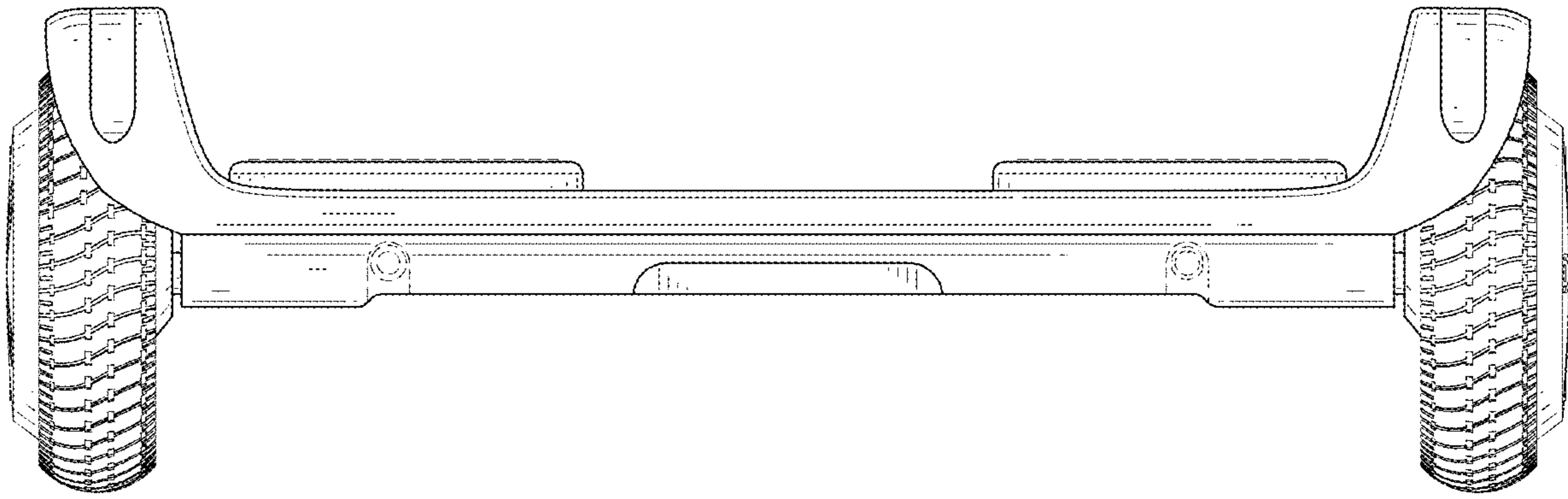


FIG. 4

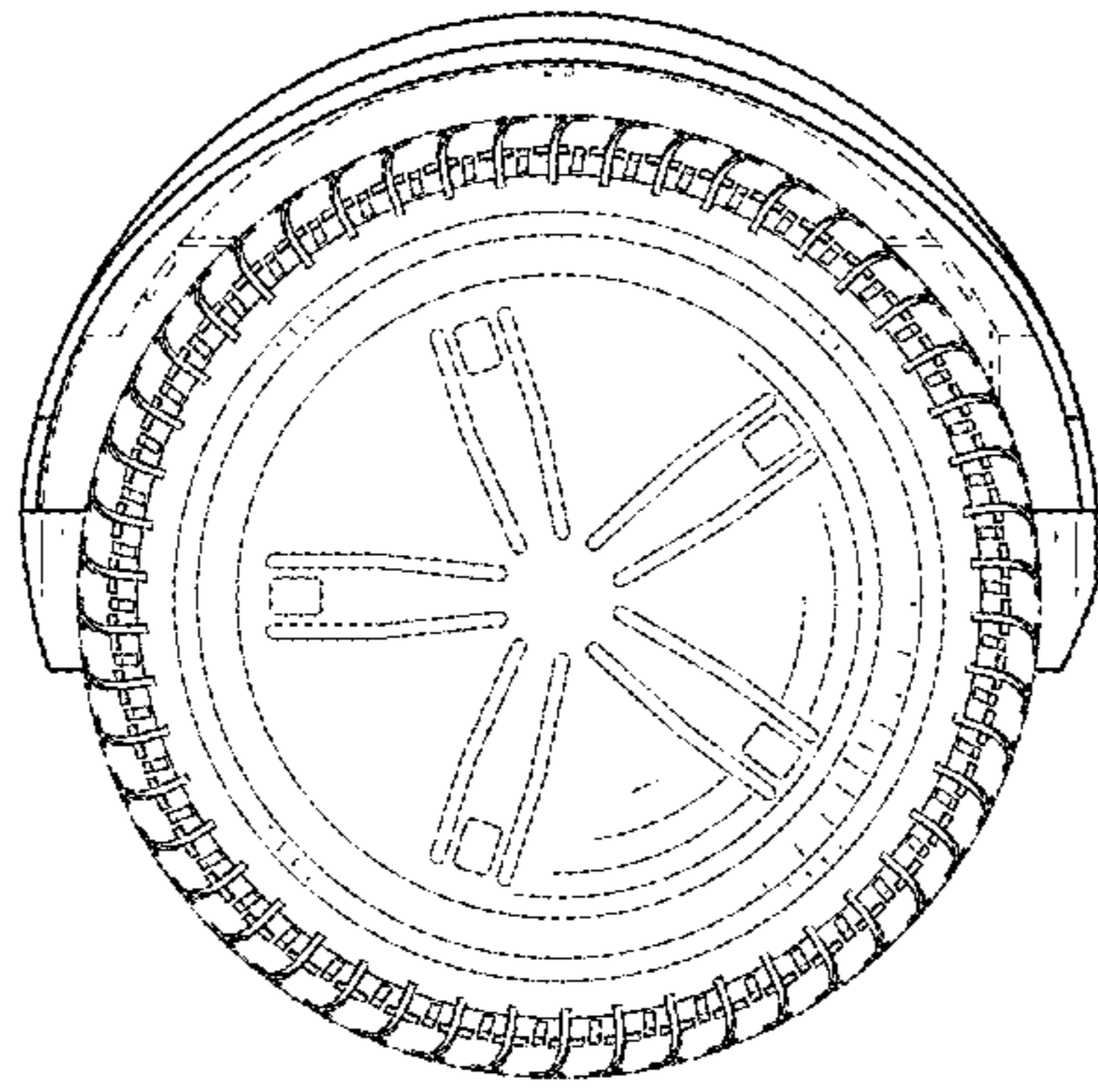


FIG. 5

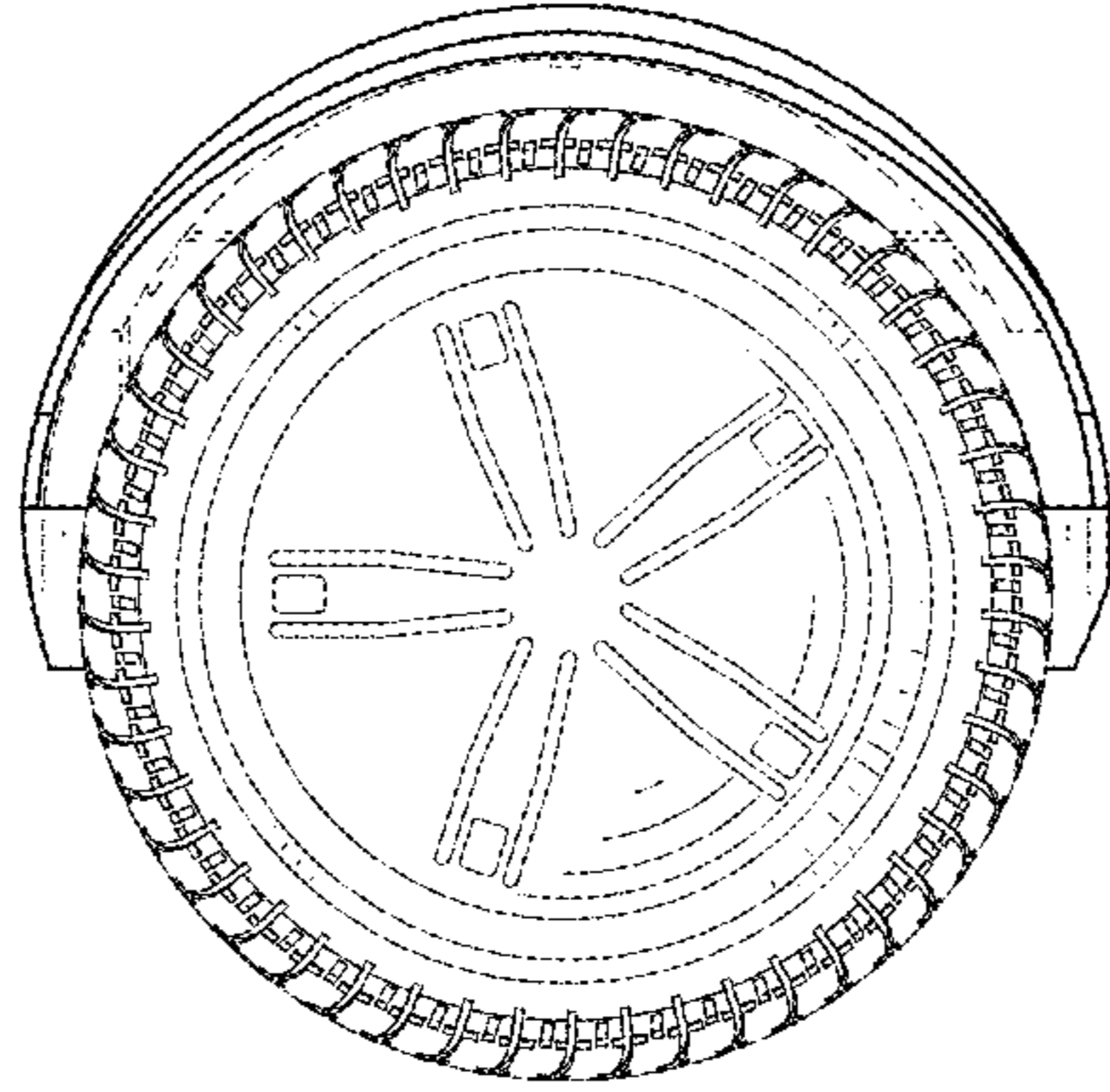


FIG. 6

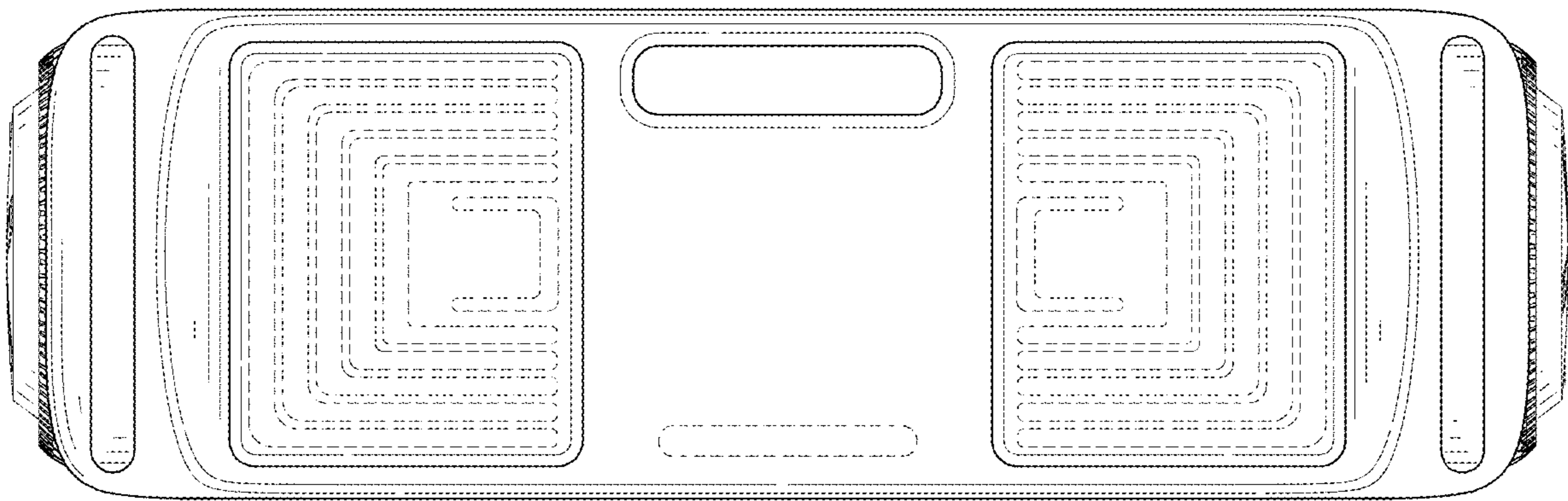


FIG. 7



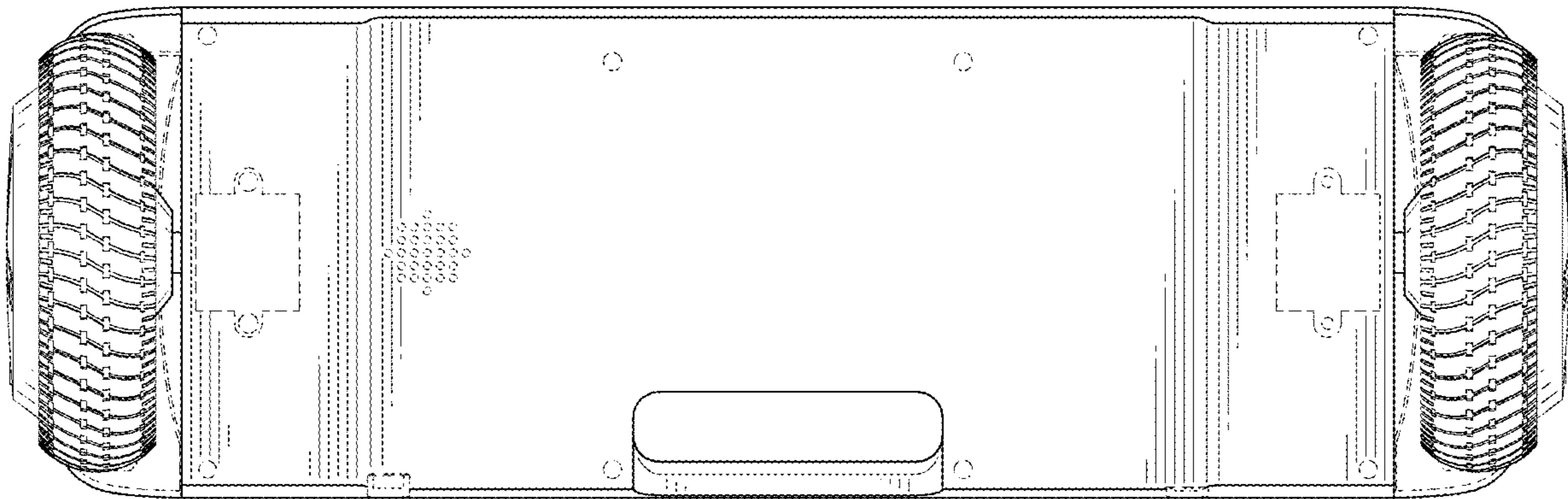


FIG. 8

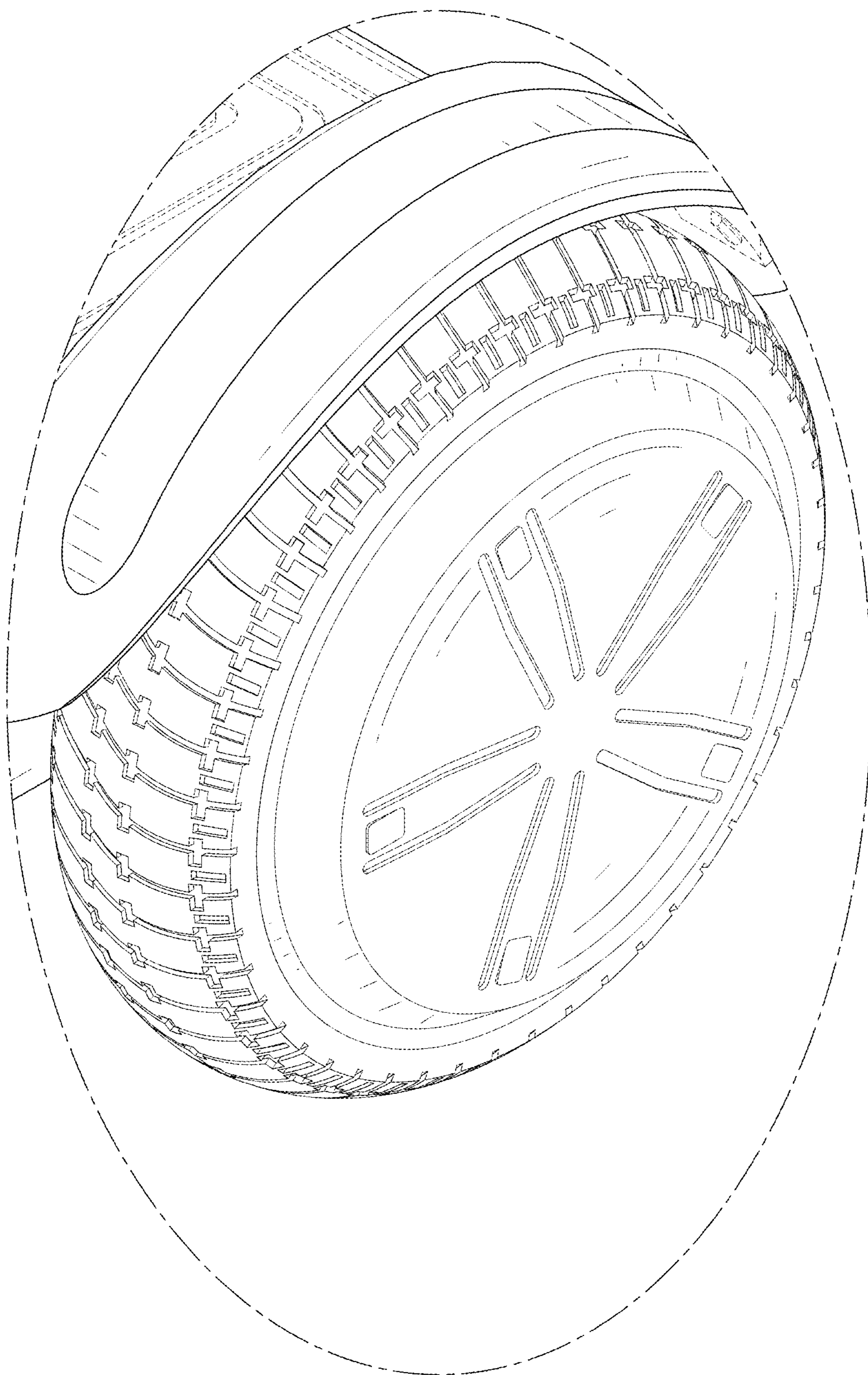


FIG. 9

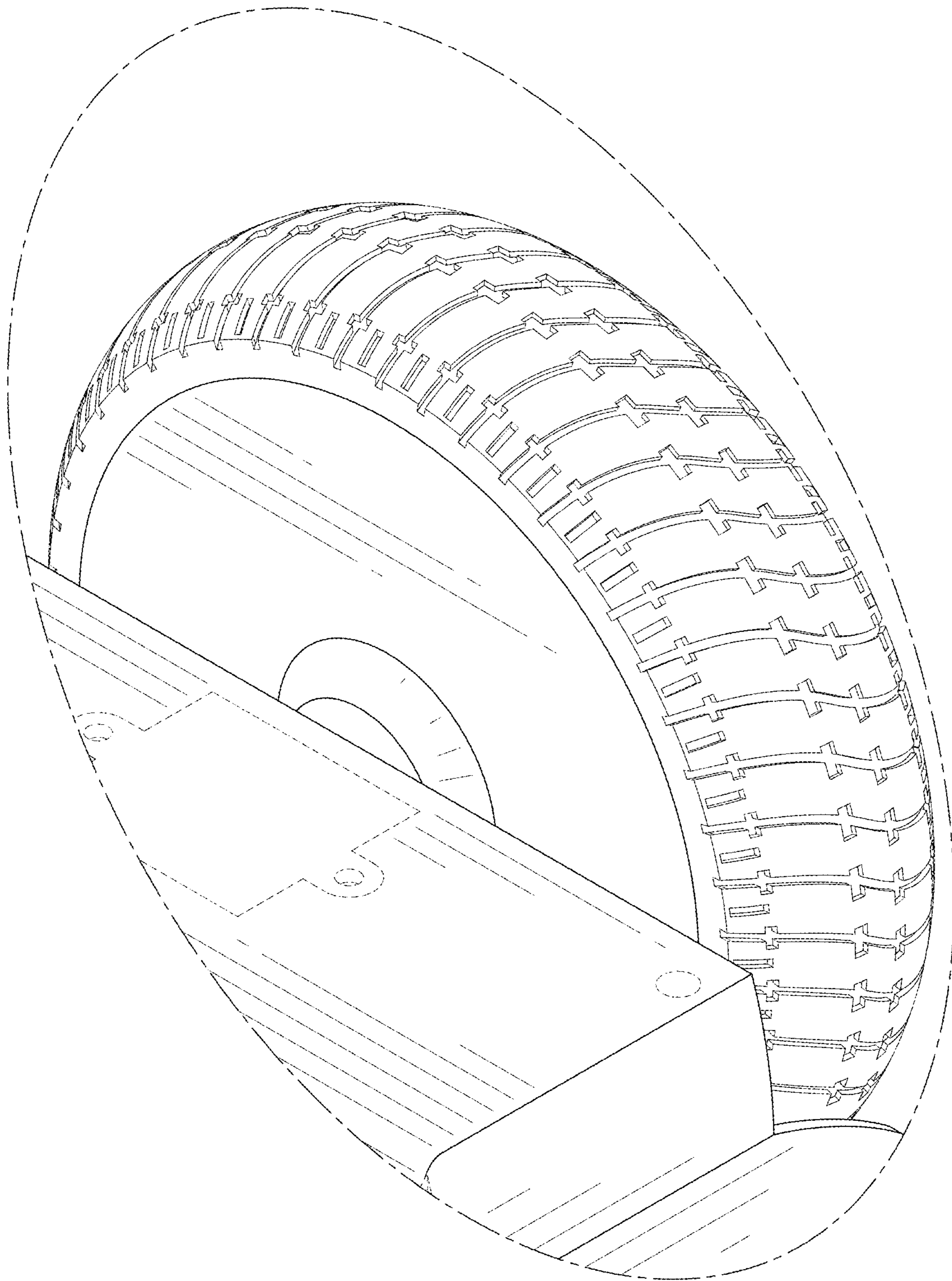


FIG. 10

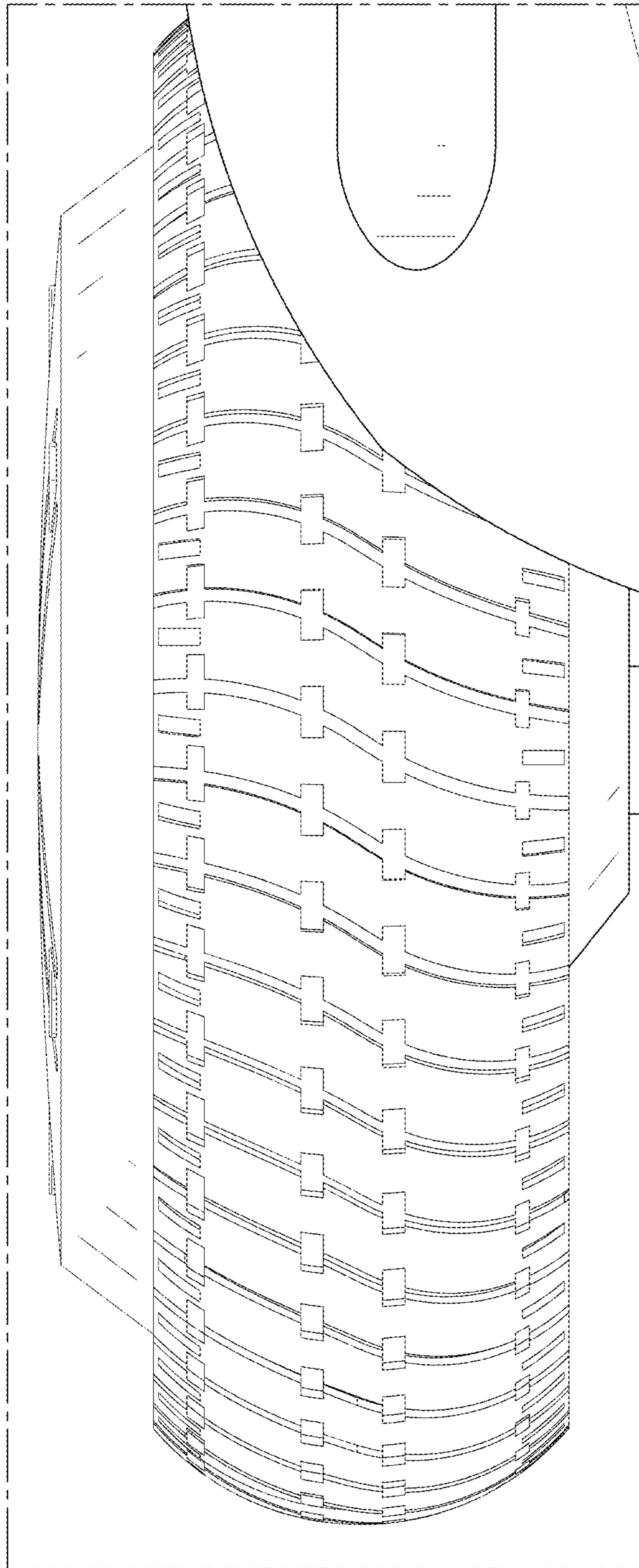


FIG. 11

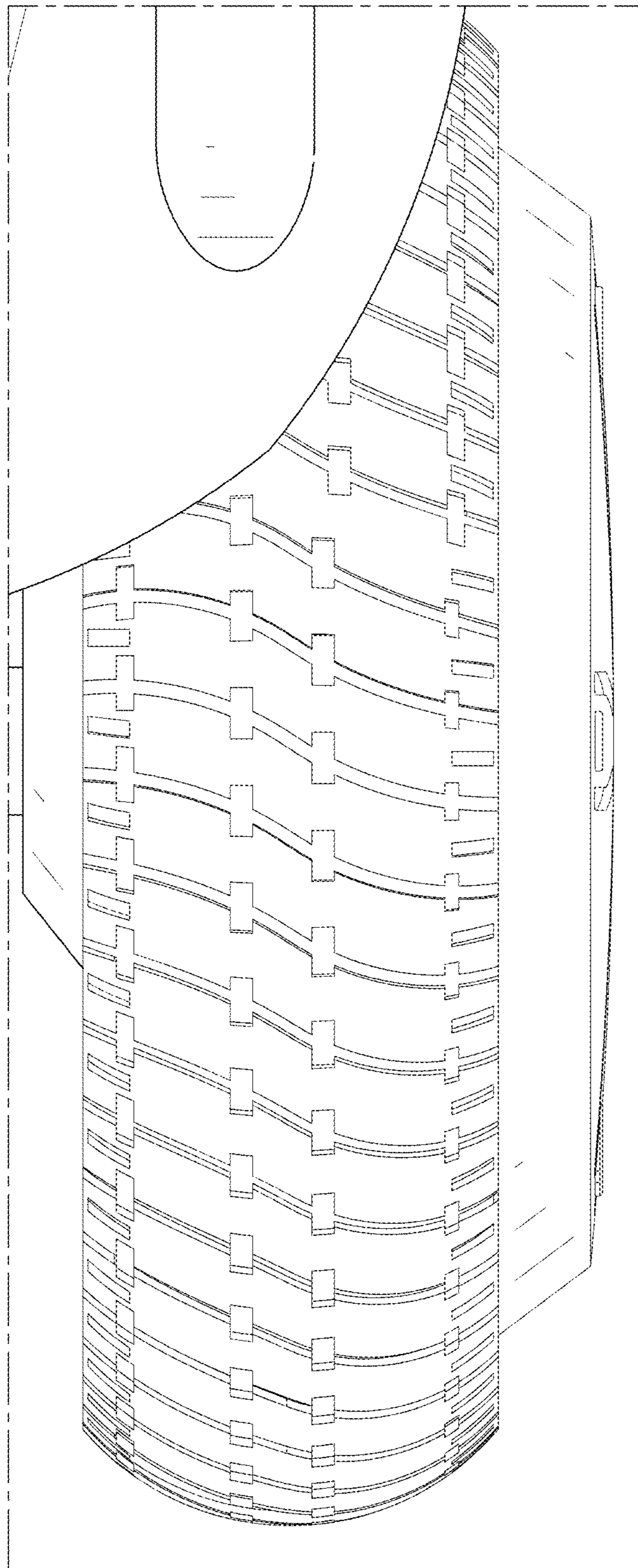


FIG. 12

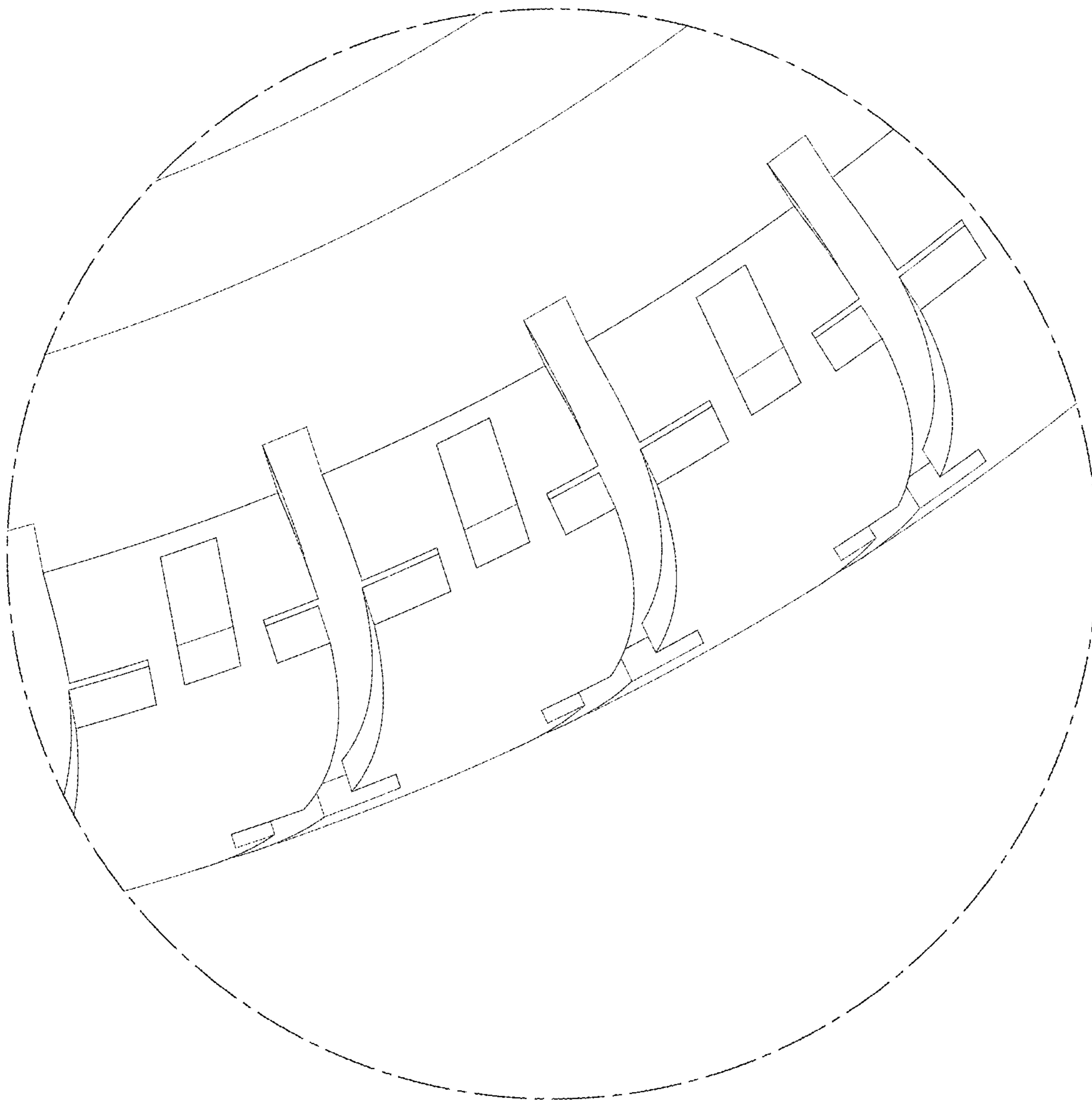


FIG. 13