



US00D891546S

(12) **United States Design Patent**  
**Li**

(10) **Patent No.:** **US D891,546 S**

(45) **Date of Patent:** **\*\* Jul. 28, 2020**

(54) **ANTIGRAVITY TRAINING BELT**  
(71) Applicant: **Shenzhen Dashijin Trading Co., Ltd.**,  
Shenzhen (CN)  
(72) Inventor: **Chen Li**, Henan Province (CN)  
(\*\*) Term: **15 Years**  
(21) Appl. No.: **29/731,670**

D881,301 S \* 4/2020 Jin ..... D21/692  
10,675,490 B2 \* 6/2020 Blondeau ..... A62B 35/0025  
2002/0032103 A1 \* 3/2002 Cook ..... A63B 21/4009  
482/23  
2003/0146044 A1 \* 8/2003 Jordan ..... A63B 29/02  
182/3  
2005/0121040 A1 \* 6/2005 Franklin ..... A62B 35/0025  
128/875  
2009/0078501 A1 \* 3/2009 Mordecai ..... A41D 13/0007  
182/6  
2011/0021329 A1 \* 1/2011 Dunne ..... A63B 21/169  
482/124

(22) Filed: **Apr. 16, 2020**  
(51) **LOC (12) Cl.** ..... **21-02**  
(52) **U.S. Cl.**  
USPC ..... **D21/694**  
(58) **Field of Classification Search**  
USPC ..... D21/797, 698, 662, 683, 686, 684, 688,  
D21/692, 694; 482/23, 48, 139, 44, 105;  
2/161.1, 162, 170, 917, 16, 20; D8/330,  
D8/303; D20/22; D29/113, 120.1, 791,  
D29/797, 190, 117.1; 473/205; D24/190  
CPC ..... A63B 21/065; A63B 21/4035; A63B  
21/0552; A63B 21/4017; A63B 2209/10;  
A63B 2208/0204; A63B 21/0442; A63B  
21/4025  
See application file for complete search history.

(Continued)

*Primary Examiner* — Ryan Harvey  
(74) *Attorney, Agent, or Firm* — ZANIP

(57) **CLAIM**

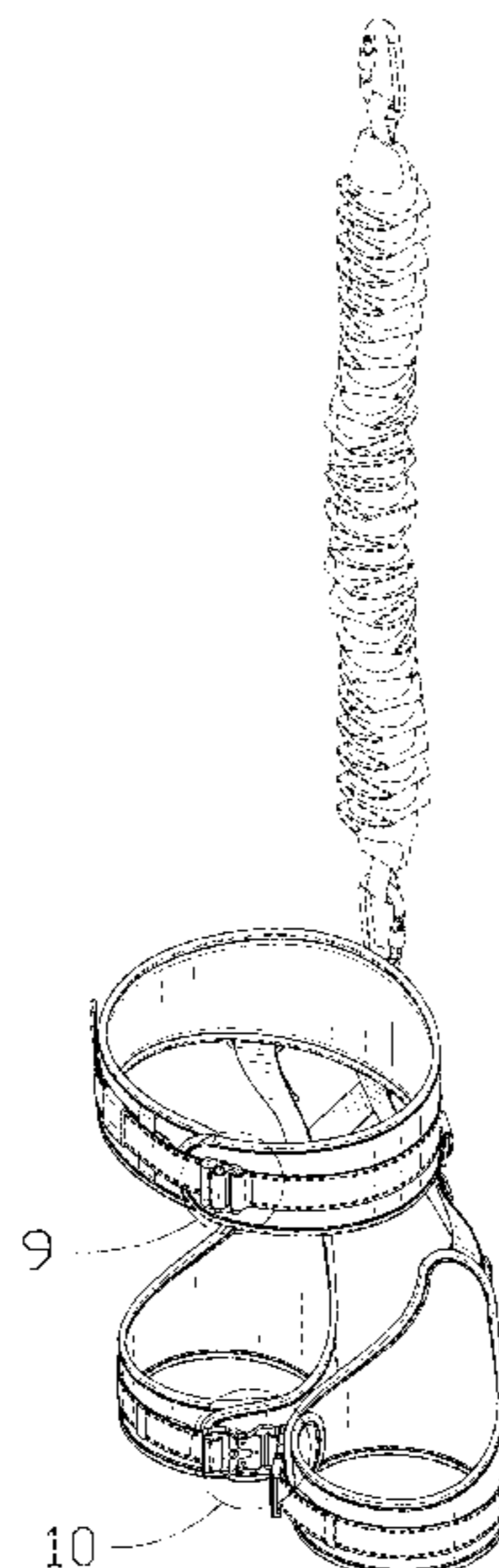
The ornamental design for an antigravity training belt, as shown and described.

**DESCRIPTION**

FIG. 1 is a front and top perspective view of an antigravity training belt, showing my new design;  
FIG. 2 is a rear and bottom perspective view thereof;  
FIG. 3 is a front elevational view thereof;  
FIG. 4 is a rear elevational view thereof;  
FIG. 5 is a left side elevational view thereof;  
FIG. 6 is a right side elevational view thereof;  
FIG. 7 is a top plan view thereof;  
FIG. 8 is a bottom plan view thereof;  
FIG. 9 is an enlarged view of a portion indicated with numeric 9 in FIG. 1; and,  
FIG. 10 is an enlarged view of a portion indicated with numeric 10 in FIG. 1.  
The broken lines in the figures illustrate portions of the article that form no part of the claimed design. The dash dot dash lines in FIGS. 1, 9 and 10 are for the purpose of depicting the cut line of the enlarged view and form no part of the claim.

(56) **References Cited**  
U.S. PATENT DOCUMENTS  
5,445,114 A \* 8/1995 Walker ..... A63B 21/065  
119/857  
5,615,750 A \* 4/1997 Phillips ..... A62B 35/0031  
182/6  
6,283,248 B1 \* 9/2001 Groover ..... A62B 35/0025  
182/6  
D558,402 S \* 12/2007 Petzl ..... D29/101.1  
D559,467 S \* 1/2008 Petzl ..... D29/101.1  
8,333,262 B1 \* 12/2012 Carpenter ..... A62B 35/0031  
182/6  
D761,924 S 7/2016 Sato  
10,376,721 B2 \* 8/2019 Janowiak ..... A62B 35/0025

**1 Claim, 10 Drawing Sheets**



(56)

**References Cited**

U.S. PATENT DOCUMENTS

2012/0118296 A1\* 5/2012 Oeltjen ..... A61H 19/30  
128/845  
2012/0208680 A1\* 8/2012 Boyce ..... A63B 21/4025  
482/105  
2013/0079203 A1\* 3/2013 Jones ..... A63B 21/4013  
482/130  
2013/0244835 A1\* 9/2013 Thompson ..... A63B 21/28  
482/8  
2014/0087926 A1\* 3/2014 Gutierrez ..... A63B 21/02  
482/121  
2015/0335937 A1\* 11/2015 Park ..... A63B 21/0004  
482/121  
2016/0096043 A1\* 4/2016 Blondeau ..... A62B 35/0025  
182/3  
2016/0096044 A1\* 4/2016 Franke ..... A62B 35/0006  
182/3  
2016/0144217 A1\* 5/2016 Oltorik, Jr. .... A63B 23/03525  
482/130  
2016/0375278 A1\* 12/2016 Blondeau ..... A62B 35/0025  
182/3  
2018/0369621 A1\* 12/2018 Blondeau ..... A62B 35/0025  
2019/0184213 A1\* 6/2019 Hill ..... A62B 35/0006  
2019/0308040 A1\* 10/2019 Blondeau ..... A62B 35/0031  
2020/0009411 A1\* 1/2020 Antonio ..... A62B 35/0012

\* cited by examiner

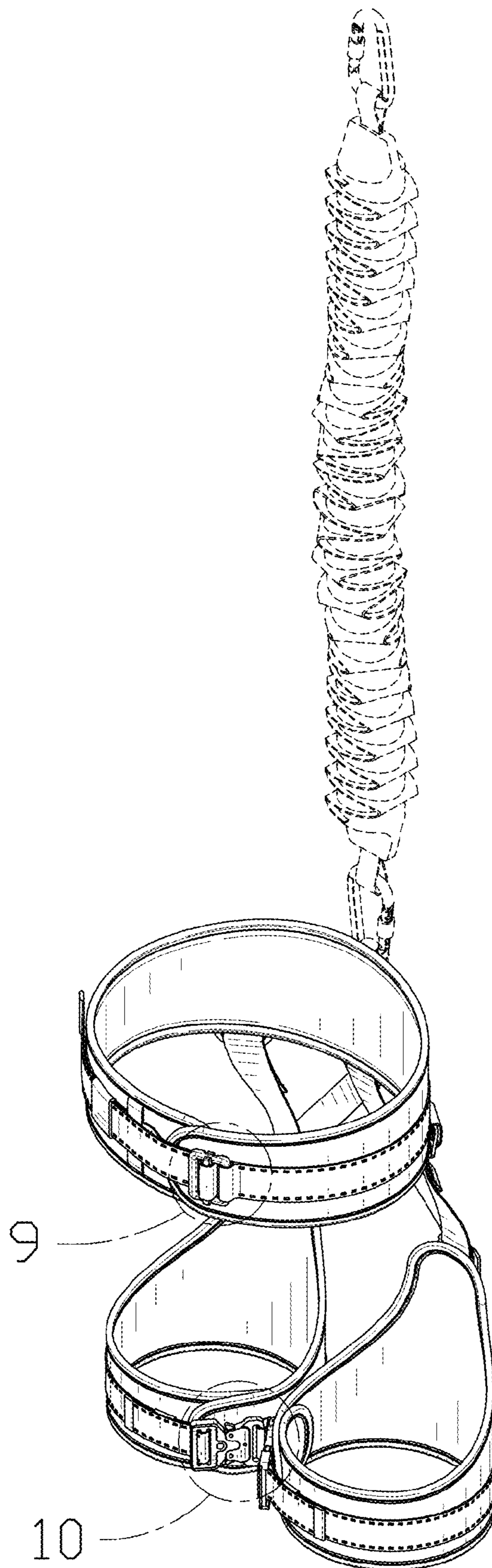


FIG. 1

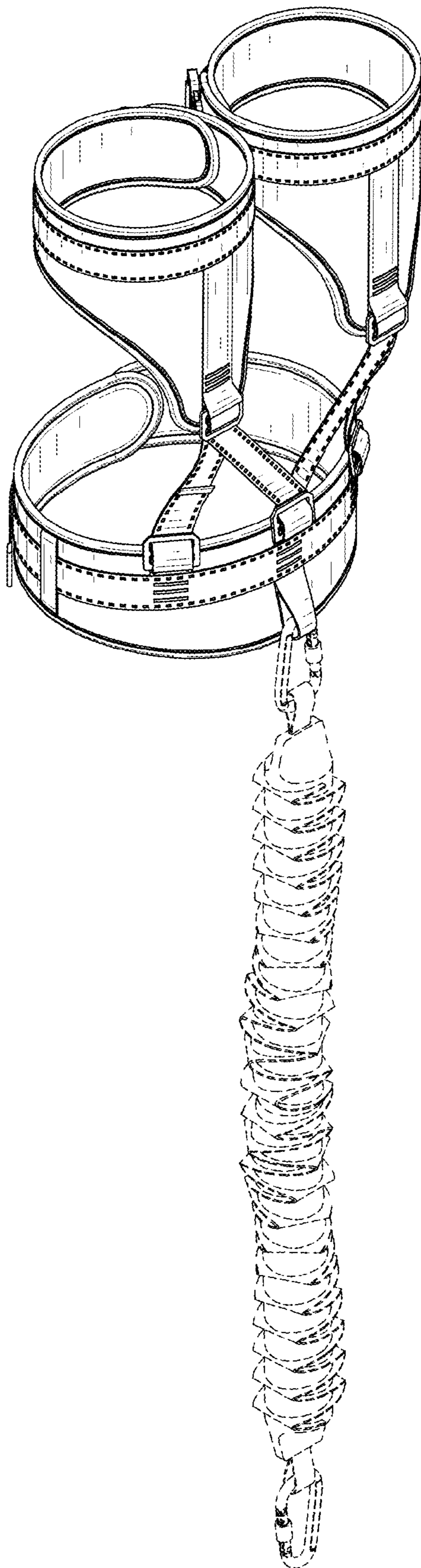


FIG. 2

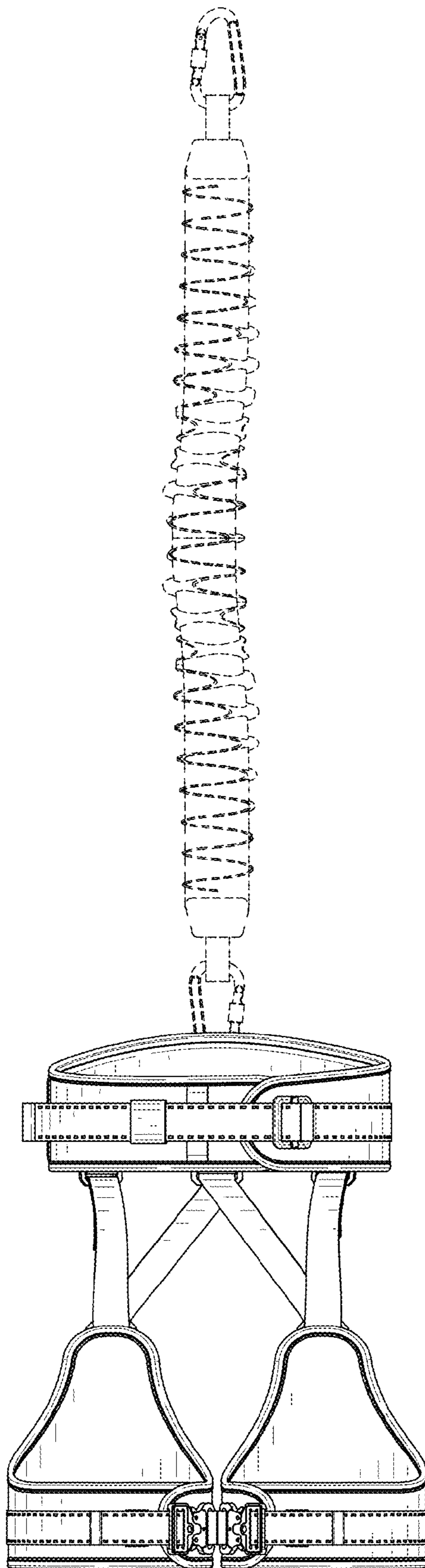


FIG. 3

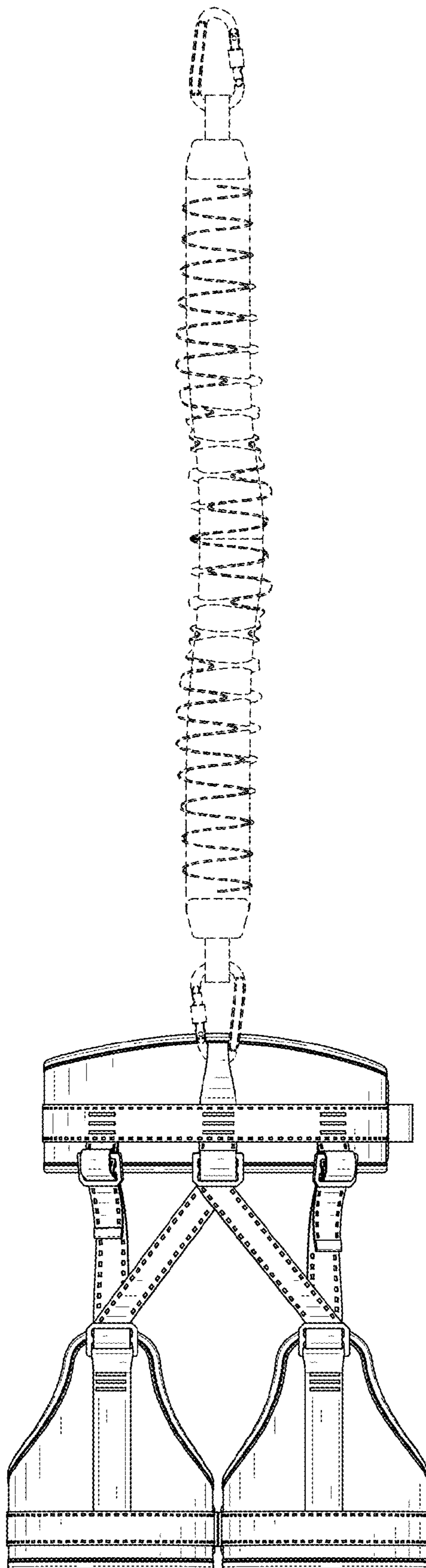


FIG. 4

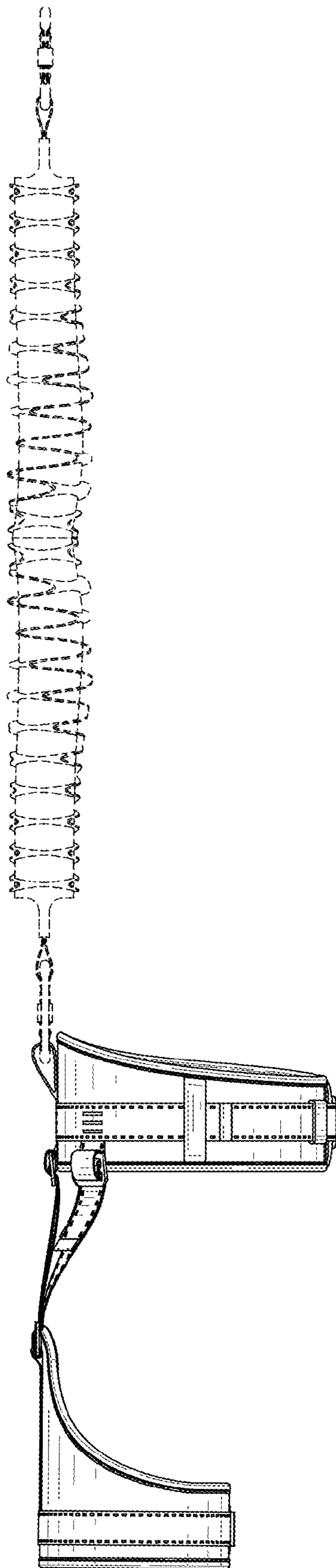


FIG. 5

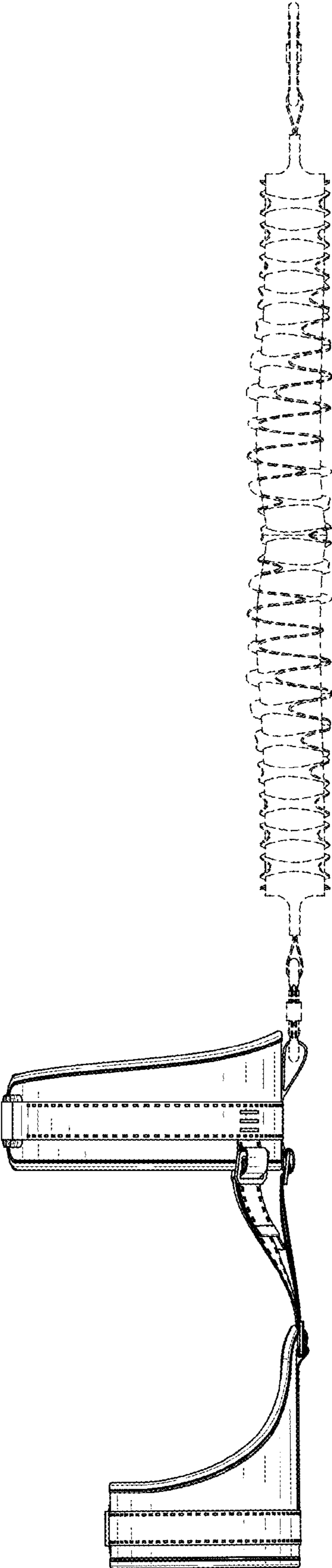


FIG. 6



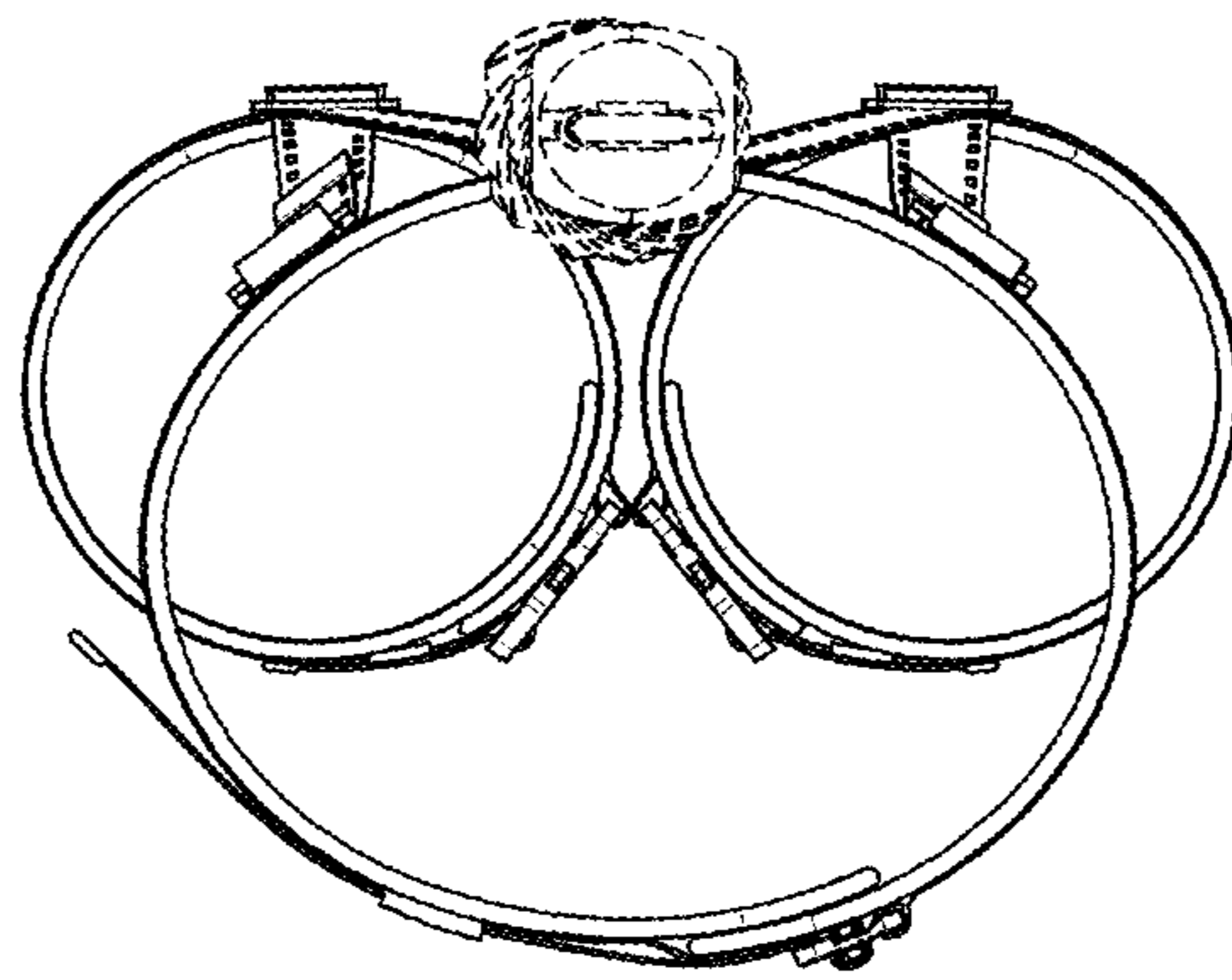


FIG. 7

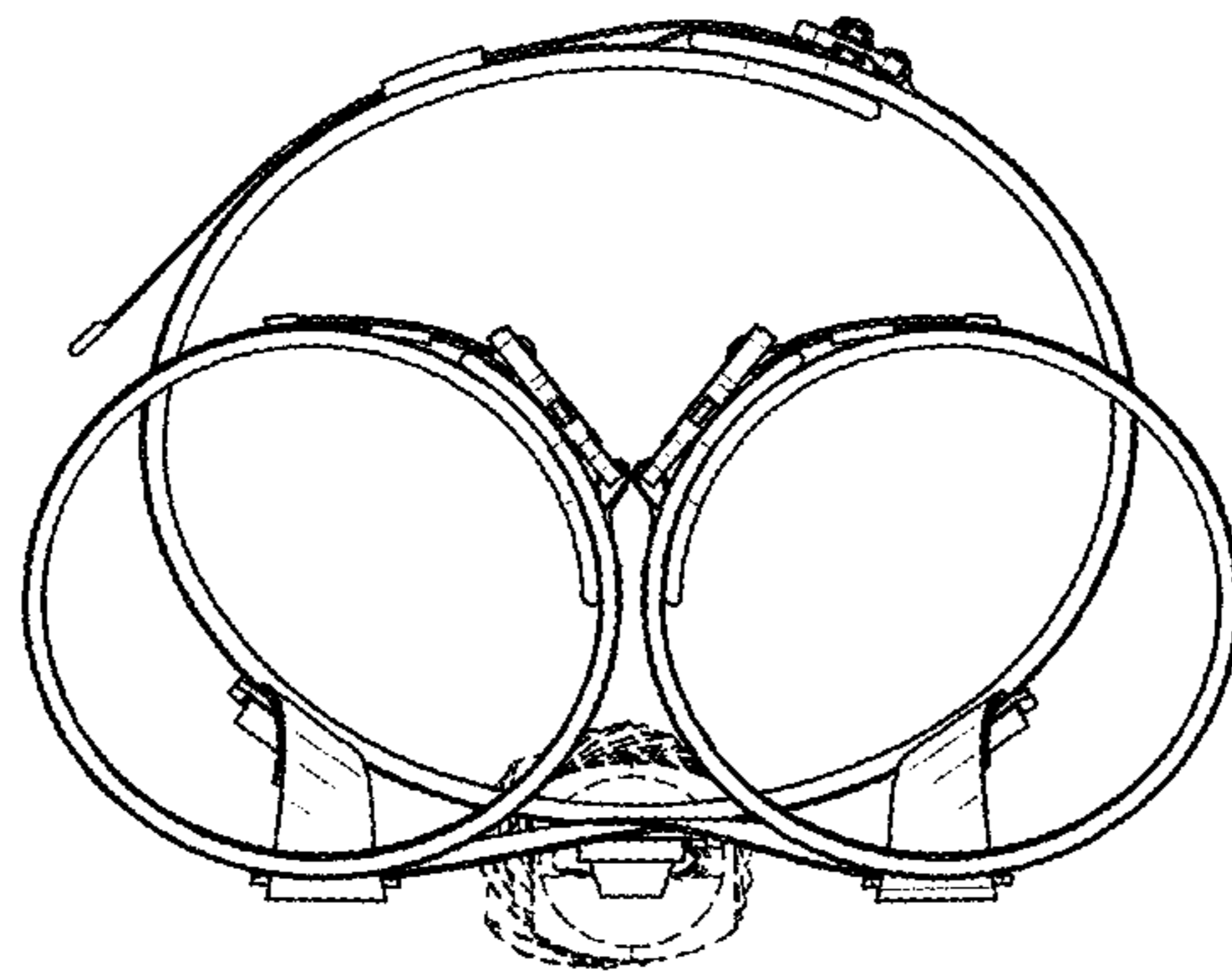


FIG. 8

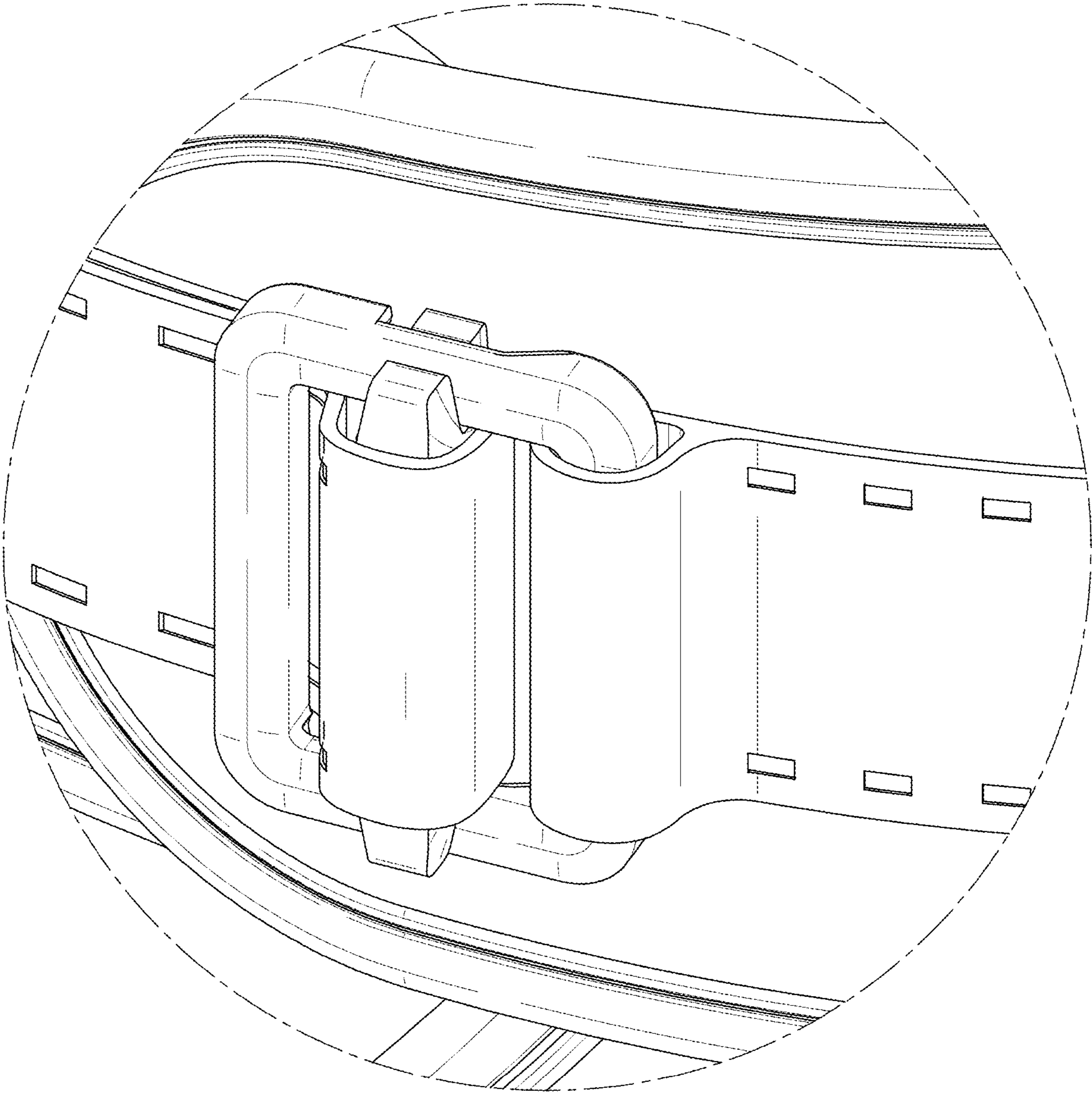


FIG. 9

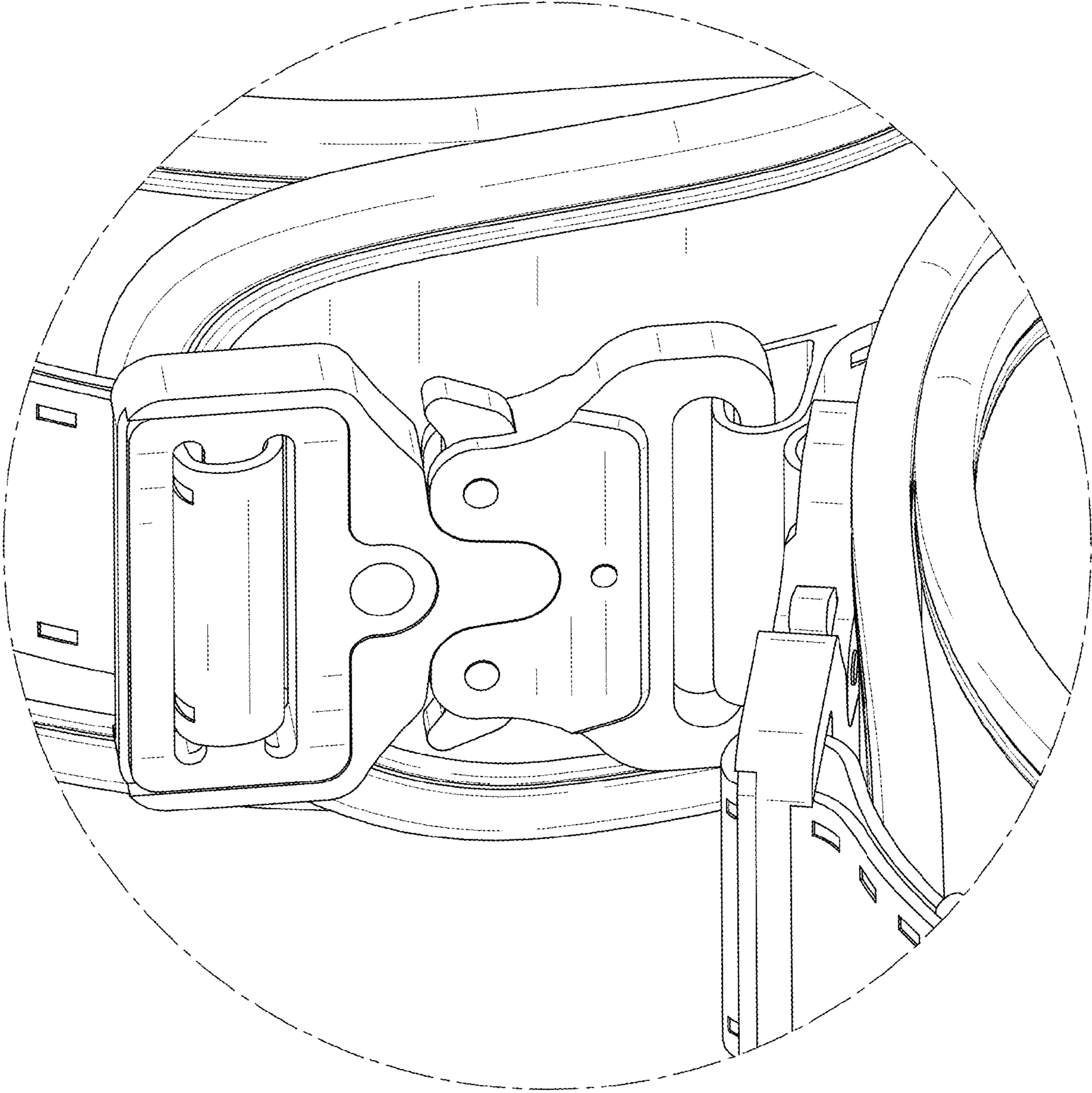


FIG. 10