



US00D891545S

(12) **United States Design Patent**
Jones et al.

(10) **Patent No.:** **US D891,545 S**
(45) **Date of Patent:** **** Jul. 28, 2020**

- (54) **ATTACHMENT POST**
- (71) Applicant: **Coulter Ventures, LLC**, Columbus, OH (US)
- (72) Inventors: **Ahmik Jones**, Upper Arlington, OH (US); **Emmanuel Sergakis**, Plain City, OH (US); **William Henniger**, Columbus, OH (US)
- (73) Assignee: **Coulter Ventures, LLC.**, Columbus, OH (US)
- (**) Term: **15 Years**
- (21) Appl. No.: **29/667,364**
- (22) Filed: **Oct. 19, 2018**
- (51) **LOC (12) Cl.** **21-02**
- (52) **U.S. Cl.**
USPC **D21/694**
- (58) **Field of Classification Search**
USPC D21/662, 679, 680, 681, 684, 691, 694;
D22/108; D8/399
CPC A63B 21/072; A63B 21/0724; A63B 21/0726; A63B 21/063; A63B 21/0624; A63B 21/075; B60D 1/34; B60D 1/60; B65D 1/22
See application file for complete search history.

- D306,886 S * 3/1990 Shiek D21/662
- 5,203,753 A 4/1993 Rothhammer
- 5,391,133 A 2/1995 Ruffa
- D358,856 S * 5/1995 Boettger, Jr. D21/684
- 5,556,362 A * 9/1996 Whipps A63B 21/063
482/97
- D428,795 S 8/2000 Wyers
(Continued)

OTHER PUBLICATIONS

Roguefitness, "Rogue Monster Landmine", Mar. 9, 2020. <https://www.roguefitness.com/rogue-monster-landmine-2-0>. Shown on p. 1. (Year: 2020).*

(Continued)

Primary Examiner — Cynthia Ramirez
Assistant Examiner — Michael A Maharajh
(74) *Attorney, Agent, or Firm* — Banner & Witcoff, Ltd.

(57) **CLAIM**

The ornamental design for an attachment post, as shown and described.

DESCRIPTION

FIG. 1 is a top, front, right perspective view of an attachment post showing our new design;
FIG. 2 is a right side view thereof;
FIG. 3 is a left side view thereof;
FIG. 4 is a bottom view thereof;
FIG. 5 is a top view thereof;
FIG. 6 is a front view thereof;
FIG. 7 is a rear view thereof; and,
FIG. 8 is the design in FIGS. 1-7 shown in an exemplary environment.

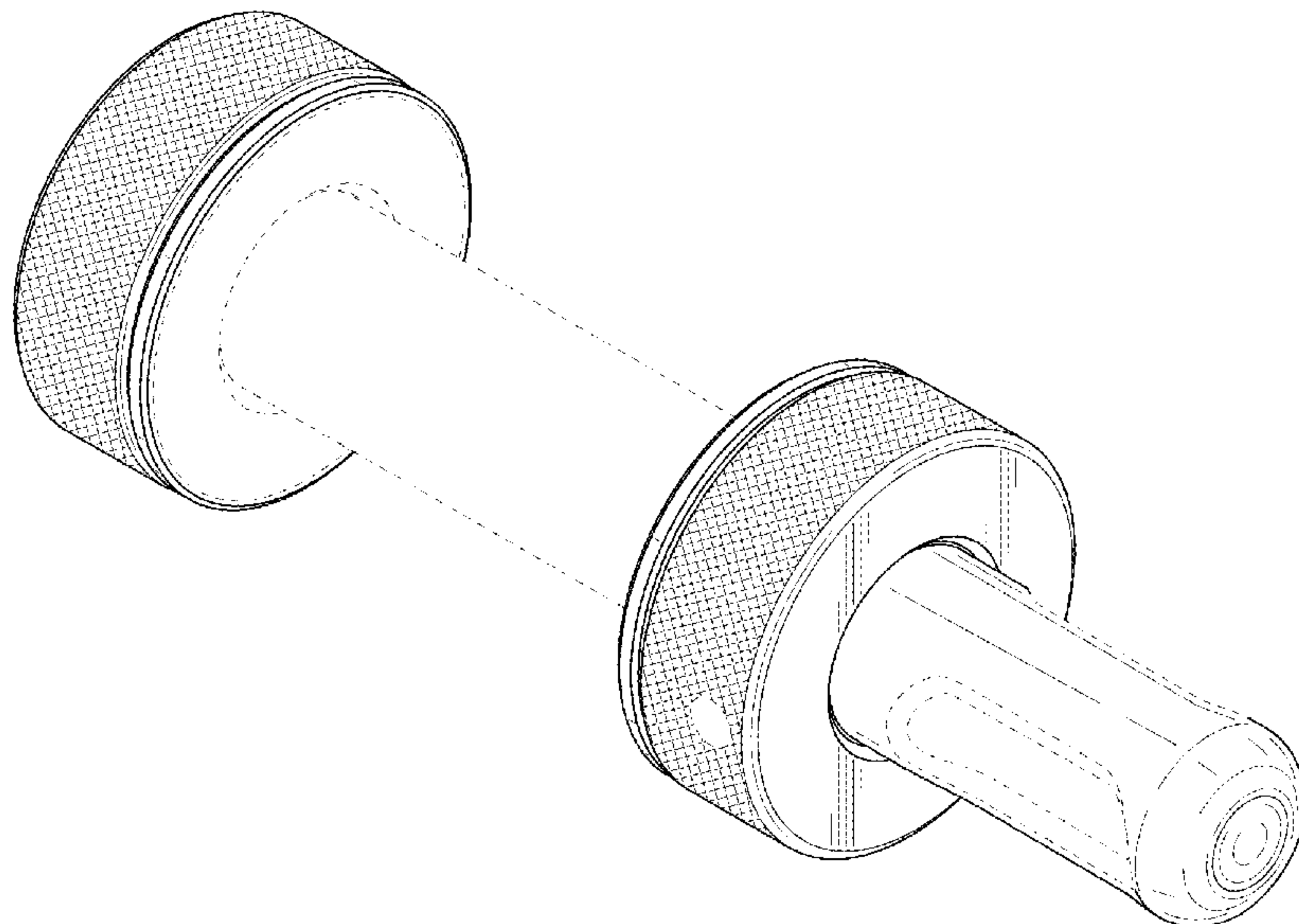
The broken lines depicting the remainder of the attachment post and the exemplary environment show features that form no part of the claimed design. The cross-hatching shown in FIGS. 1-5 and 8 indicates knurling.

1 Claim, 5 Drawing Sheets

(56) **References Cited**

U.S. PATENT DOCUMENTS

- 3,056,226 A * 10/1962 Hubbard F41A 19/13
42/69.02
- D248,114 S 6/1978 Mangiapane
- D263,555 S 3/1982 Curtis
- D279,495 S * 7/1985 Barbeau D21/681
- D280,433 S 9/1985 Lincir
- 4,681,315 A * 7/1987 Yang A63B 21/0726
482/127
- 4,711,106 A 12/1987 Johnson



(56)

References Cited

U.S. PATENT DOCUMENTS

6,123,651	A *	9/2000	Ellenburg	A63B 71/0036	482/104
6,132,345	A *	10/2000	Beierschmitt	A63B 21/072	362/84
D444,050	S	6/2001	Wyers			
D447,043	S	8/2001	Wyers			
6,412,315	B1 *	7/2002	Cheng	B60D 1/52	280/507
D461,392	S	8/2002	Zapushek			
D464,094	S *	10/2002	Fond	D21/680	
6,689,022	B1 *	2/2004	Emick	A63B 21/06	482/93
6,722,170	B2	4/2004	Squier			
D496,414	S *	9/2004	Harms	D21/681	
6,862,905	B2	3/2005	Zapushek			
D504,923	S *	5/2005	Harms	D21/681	
D519,584	S *	4/2006	Brice	D21/681	
D561,001	S	2/2008	Rohde et al.			
D581,248	S	11/2008	Wu et al.			
D581,249	S	11/2008	Wu et al.			
D589,779	S	4/2009	Wrase et al.			
D594,311	S	6/2009	Stevens			
D615,605	S *	5/2010	Frasco	D21/682	
D653,715	S *	2/2012	Tumminia	A63B 21/072	D21/679
8,201,844	B1	6/2012	Smoot			
8,302,435	B2	11/2012	Burmesch et al.			
8,500,609	B1 *	8/2013	Williams	A63C 11/228	135/65
D692,970	S	11/2013	Lien			
D694,091	S	11/2013	Gartner			
D709,754	S	7/2014	Lylyk et al.			
D720,201	S	12/2014	Gokcebay et al.			
8,951,169	B1 *	2/2015	Casper	A63B 23/14	482/106
9,132,315	B1 *	9/2015	Chen	A63B 23/12	
D740,897	S *	10/2015	Miltner	D21/694	
D747,640	S	1/2016	Scalisi			
D758,167	S	6/2016	Gartner			
D758,168	S	6/2016	Gartner			
D770,881	S	11/2016	Gartner			
D777,851	S *	1/2017	Simonetti	D21/694	
D793,205	S	8/2017	Ho et al.			
D795,041	S	8/2017	Oliva Camacho et al.			
D796,298	S	9/2017	Lylyk et al.			
9,874,042	B2	1/2018	Gartner			
D830,811	S	10/2018	Frantz			
D837,031	S	1/2019	Cavanna et al.			
D843,197	S	3/2019	Dempsey et al.			
D843,524	S *	3/2019	Henniger	D21/694	
D846,044	S *	4/2019	Peritz	D21/694	
D857,132	S *	8/2019	Dube	D21/694	
D857,143	S	8/2019	Mateko			
2006/0096876	A1 *	5/2006	Scott	B60D 1/60	206/349
2007/0243976	A1 *	10/2007	Cao	A63B 21/063	482/94
2007/0298940	A1 *	12/2007	Anderson	A63B 21/0728	482/107
2008/0220952	A1 *	9/2008	Yang	A63B 21/072	482/107
2009/0023563	A1 *	1/2009	Liang	A63B 71/0036	482/106
2009/0239719	A1 *	9/2009	Patti	A63B 21/0726	482/107
2010/0075816	A1 *	3/2010	Anderson	A63B 21/0728	482/107
2010/0190618	A1 *	7/2010	Chen	A63B 21/0728	482/108
2012/0006836	A1 *	1/2012	Chen	B65D 1/22	220/694
2013/0040788	A1 *	2/2013	Booker	A63B 21/075	482/106
2013/0274077	A1 *	10/2013	Greenberg	A63B 21/072	482/108
2013/0288862	A1 *	10/2013	Lien	A63B 21/0726	482/108
2014/0106943	A1 *	4/2014	Simonetti	A63B 71/0036	482/98
2014/0274591	A1 *	9/2014	Miltner	A63B 21/062	482/98
2015/0133274	A1 *	5/2015	Simonetti	A63B 21/063	482/98
2016/0059062	A1 *	3/2016	Simonetti	A63B 21/00069	482/98
2016/0082794	A1 *	3/2016	Mauerman	B60D 1/34	280/455.1
2016/0101320	A1 *	4/2016	Tsutsui	A63B 21/0722	482/8
2016/0228739	A1 *	8/2016	Wu	A63B 21/0728	
2017/0234706	A1 *	8/2017	Martin	G01D 11/245	29/407.05
2017/0259103	A1 *	9/2017	Simonetti	A63B 21/063	
2018/0272175	A1 *	9/2018	Henniger	A63B 21/0726	
2018/0296870	A1 *	10/2018	Gangemi	A63B 21/0724	
2019/0038927	A1 *	2/2019	Wilhelm	A63B 21/0728	
2019/0184256	A1 *	6/2019	Mainini	A63B 69/00	
2019/0247701	A1 *	8/2019	Sergakis	A63B 21/078	
2019/0388723	A1 *	12/2019	Nalley	A63B 21/075	
2020/0023698	A1 *	1/2020	Tsai	B60D 1/60	
2020/0047020	A1 *	2/2020	Harms	A63B 21/0724	

OTHER PUBLICATIONS

Product listing for Rogue Monster Plate Storage Pin from <https://web.archive.org/web/20170423182638/http://www.roguefitness.com/rogue-monster-plate-storage-pin>, dated Apr. 23, 2017.
 Photos of Rogue Monster Plate Storage Pin from <https://web.archive.org/web/20170423182638/http://www.roguefitness.com/rogue-monster-plate-storage-pin>, dated Apr. 23, 2017.
 Product photo posted at <https://www.facebook.com/roguefitness/photos/a.128475269459/10157445836814460/?type=3&theater>, dated Sep. 28, 2018.
 Product photo posted at <https://www.facebook.com/roguefitness/photos/a.128475269459/10157445836759460/?type=3&theater>, dated Sep. 28, 2018.
 Product listing from <https://www.roguefitness.com/rogue-monster-keyhole-keyless-plate-storage-pin>, product disclosed prior to Oct. 19, 2018, but not on or prior to Oct. 19, 2017.

* cited by examiner

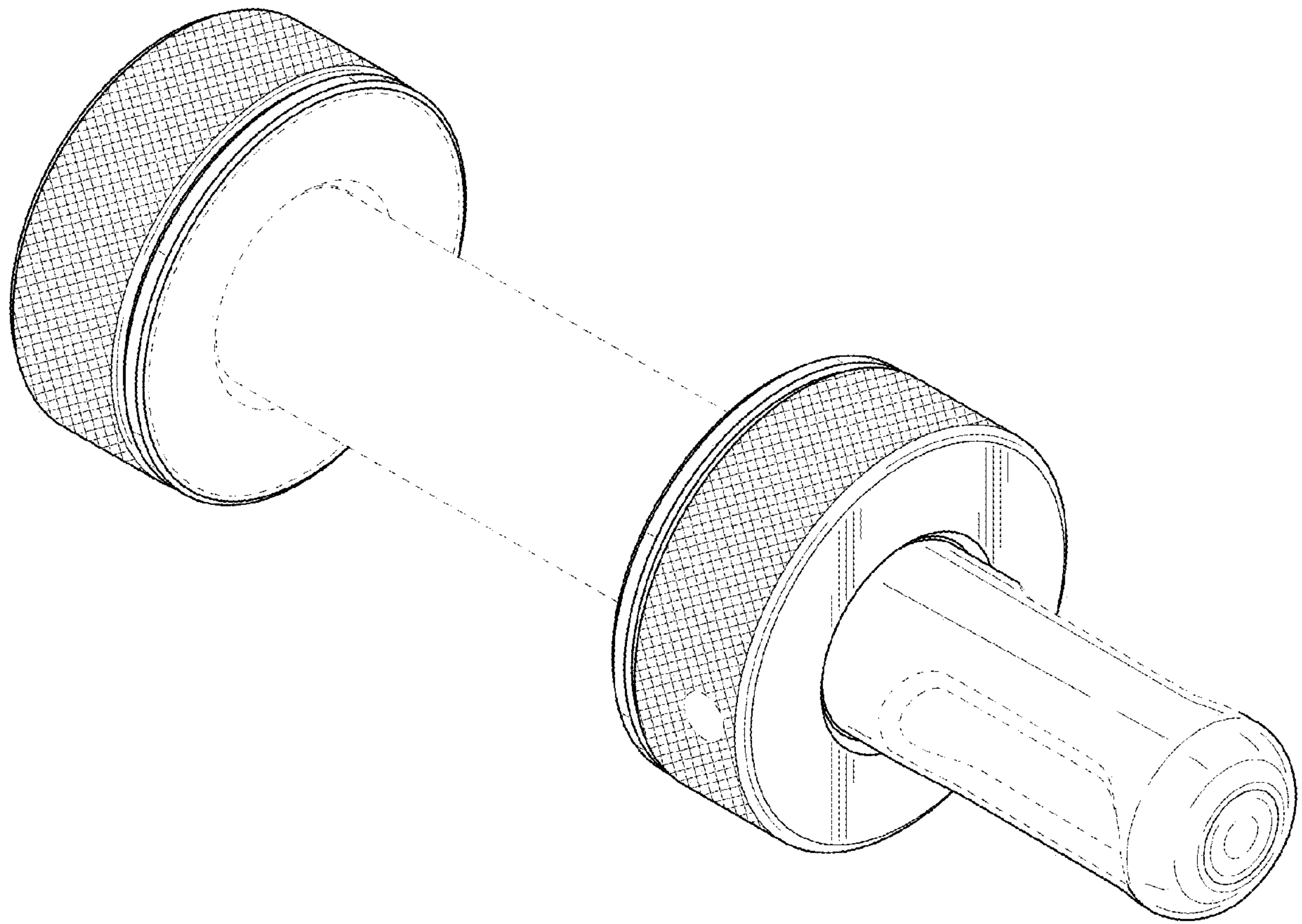


FIG. 1

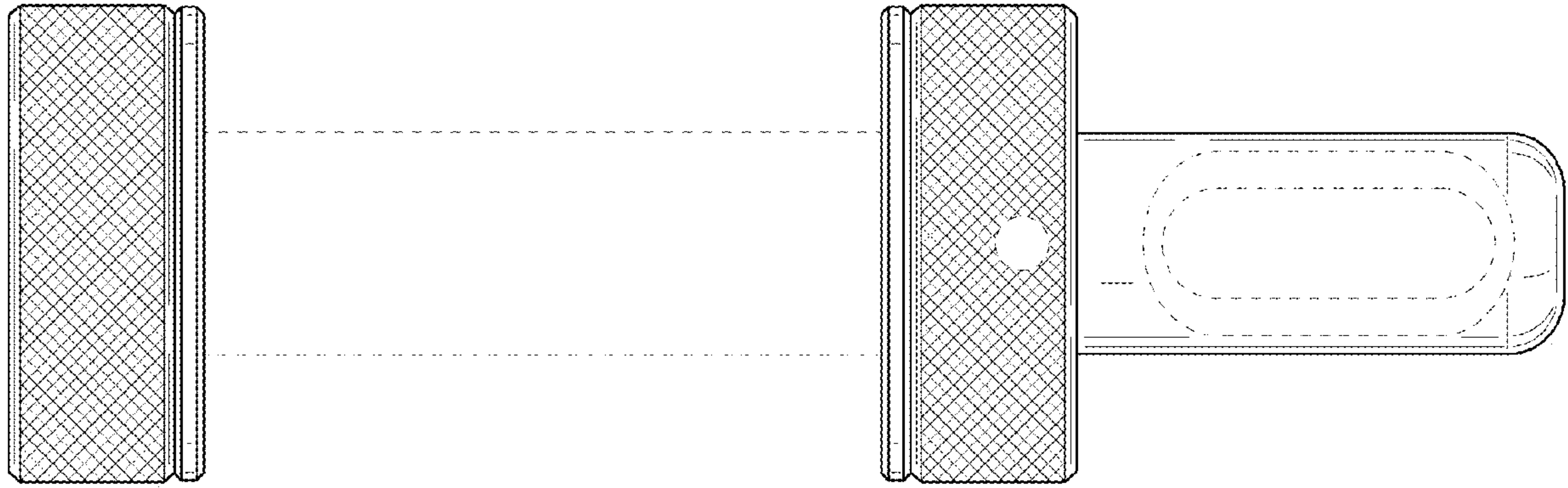


FIG. 2

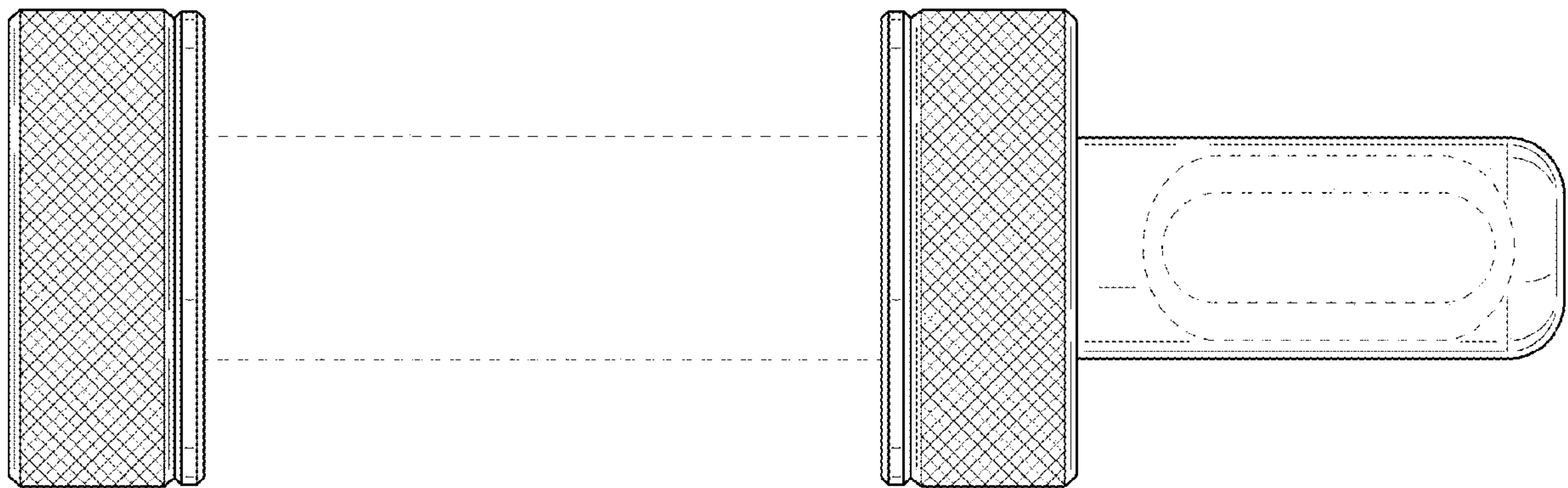


FIG. 3

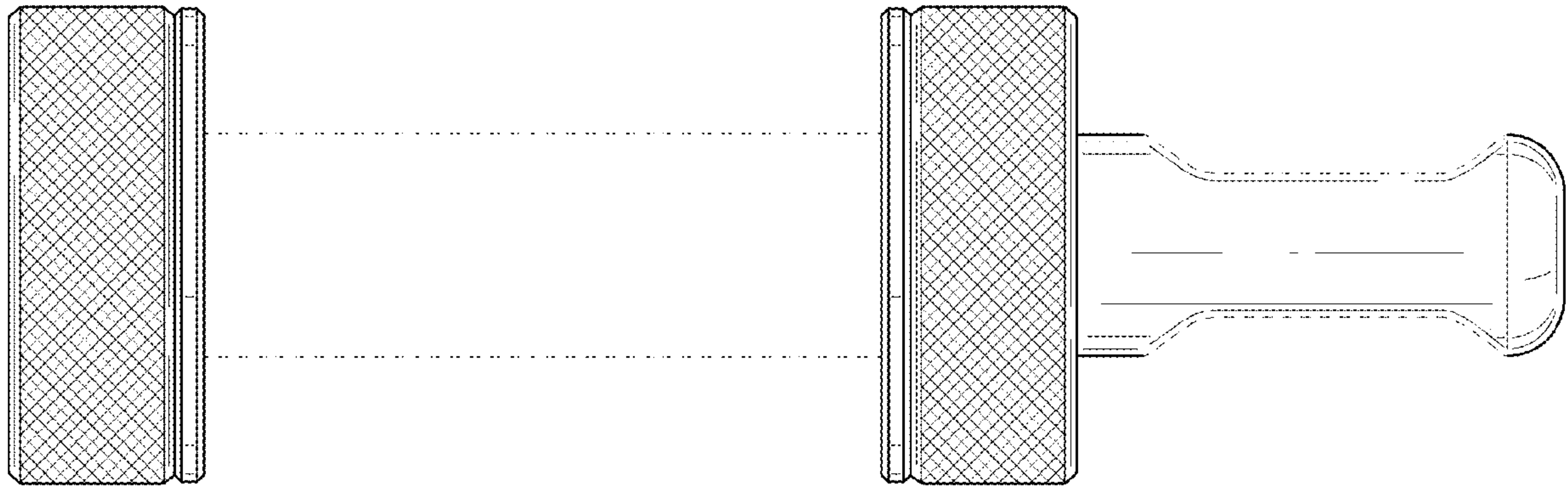


FIG. 4

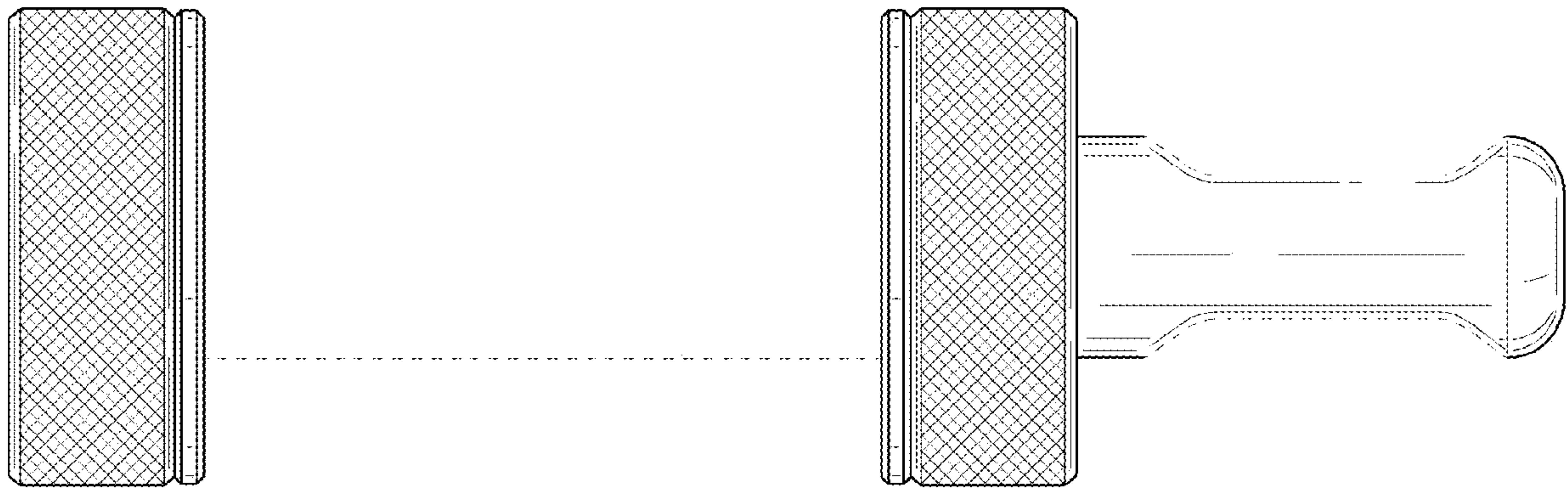


FIG. 5

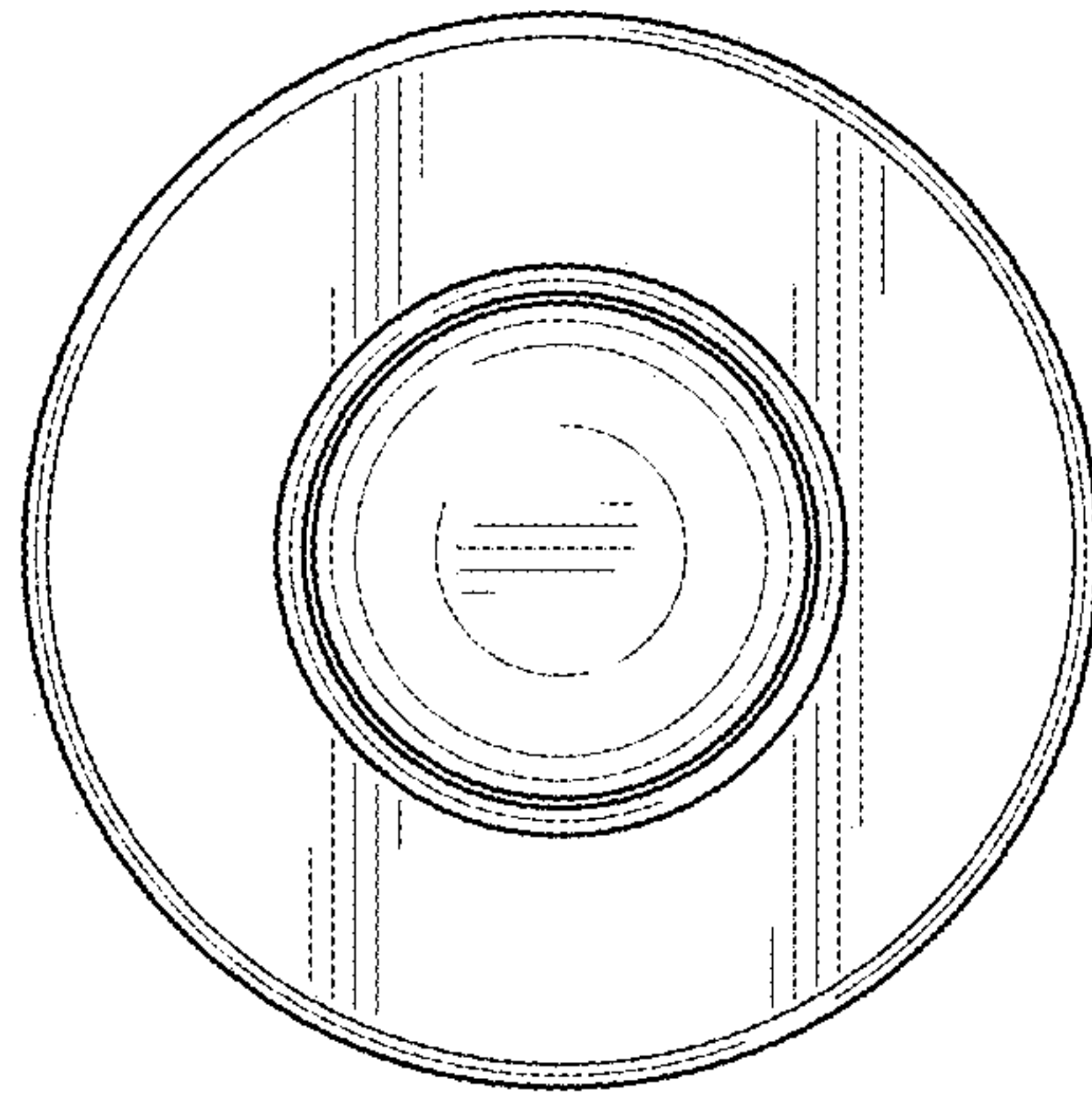


FIG. 6

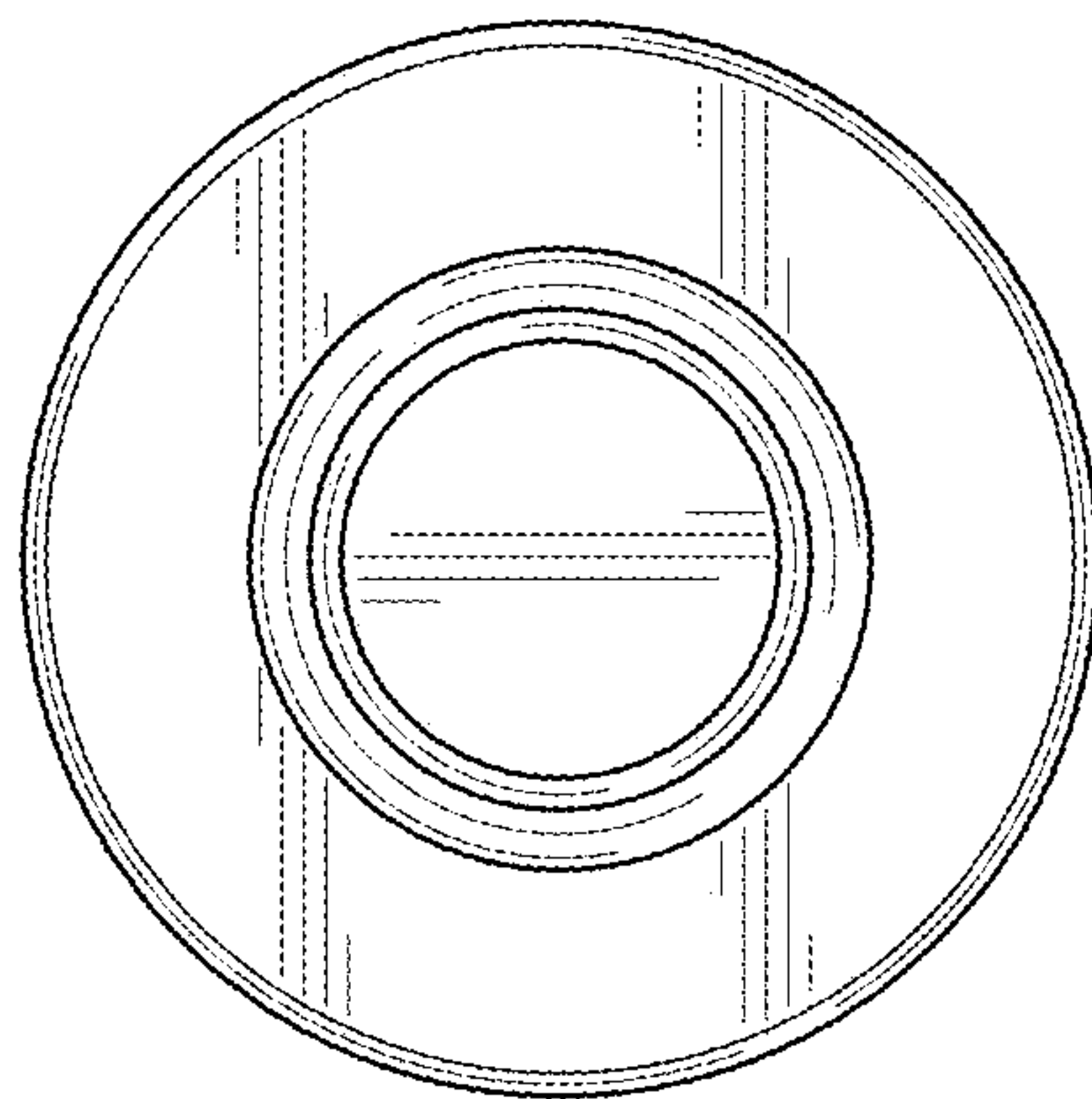


FIG. 7

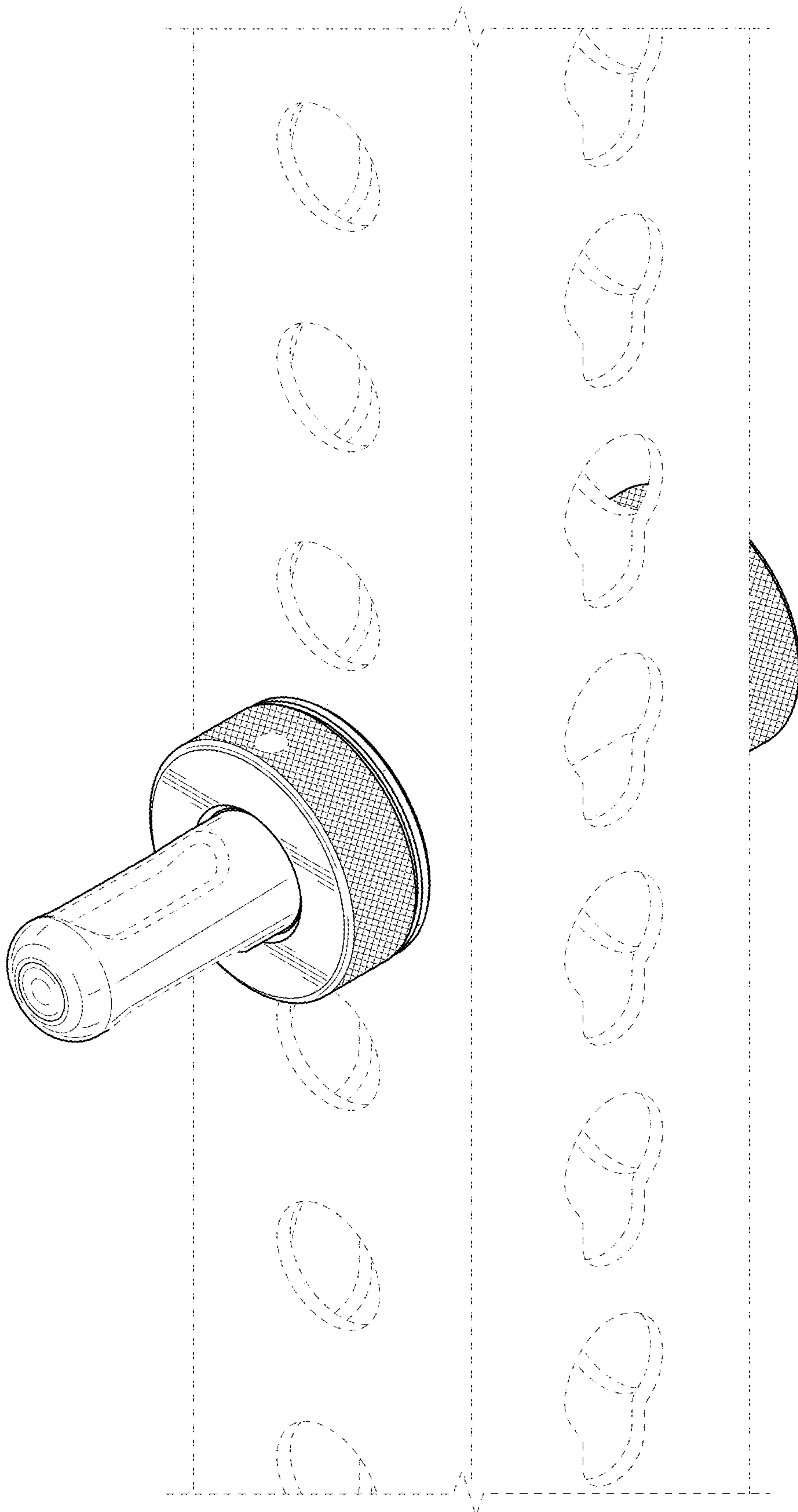


FIG. 8