



US00D891544S

(12) **United States Design Patent** (10) **Patent No.:** **US D891,544 S**  
**O'Brien et al.** (45) **Date of Patent:** **\*\* Jul. 28, 2020**

(54) **HAND HOLD FOR CLIMBING DEVICE**  
(71) Applicant: **BRAND 44 TRADING LLC**, Denver, CO (US)

D577,868 S \* 9/2008 Rutherford ..... D30/160  
D582,615 S \* 12/2008 Tamura ..... D30/160  
D616,519 S \* 5/2010 Hwang ..... D21/826  
(Continued)

(72) Inventors: **Ed O'Brien**, Denver, CO (US);  
**Amanda Lacy**, Portland, ME (US)

**OTHER PUBLICATIONS**

(73) Assignee: **BRAND 44 TRADING LLC**, Denver, CO (US)

Amazon, "Slackers Extreme Ninjaline Kit", Jan. 2, 2019. [https://www.amazon.com/Slackers-Extreme-Ninjaline-Kit-Varieties/dp/B07KRPGPPR/ref=sr\\_1\\_7?crd=3GF4LOWTM81ZS&keywords=slackers%2Bninjaline%2Bclimbing%2Bropes&qid=1583534462&prefix=slackers%2B%2Bclimbing%2Caps%2C151&sr=8-7&th=1](https://www.amazon.com/Slackers-Extreme-Ninjaline-Kit-Varieties/dp/B07KRPGPPR/ref=sr_1_7?crd=3GF4LOWTM81ZS&keywords=slackers%2Bninjaline%2Bclimbing%2Bropes&qid=1583534462&prefix=slackers%2B%2Bclimbing%2Caps%2C151&sr=8-7&th=1). Shown on p. 1. (Year: 2019).\*

(\*\*) Term: **15 Years**

(Continued)

(21) Appl. No.: **29/667,256**

(22) Filed: **Oct. 19, 2018**

*Primary Examiner* — Cynthia Ramirez

(51) **LOC (12) Cl.** ..... **21-02**

*Assistant Examiner* — Michael A Maharajh

(52) **U.S. Cl.**  
USPC ..... **D21/694**

(74) *Attorney, Agent, or Firm* — Westerman, Hattori, Daniels & Adrian, LLP

(58) **Field of Classification Search**  
USPC ..... D21/304, 385, 412, 441, 443, 453, 455,  
D21/484, 488, 682, 688, 694, 753, 756,  
D21/814, 826, 839; D30/160; D8/397,  
D8/399

(57) **CLAIM**

The ornamental design for a hand hold for climbing device, as shown.

CPC ..... A63B 2009/004; A63B 2009/006; A63B  
69/0048; A63B 9/00; A63B 2022/185;  
B60B 3/16; F16B 37/14

**DESCRIPTION**

See application file for complete search history.

FIG. 1 is a top perspective view of the hand hold for climbing device;  
FIG. 2 is a bottom perspective view thereof;  
FIG. 3 is a top view thereof;  
FIG. 4 is a bottom view thereof;  
FIG. 5 is a left view thereof;  
FIG. 6 is a right view thereof;  
FIG. 7 is a front view thereof;  
FIG. 8 is a rear view thereof;  
FIG. 9 is a cross-sectional view taken along the line 9-9 of FIG. 1; and,  
FIG. 10 is a cross-sectional view taken along the line 10-10 of FIG. 3.

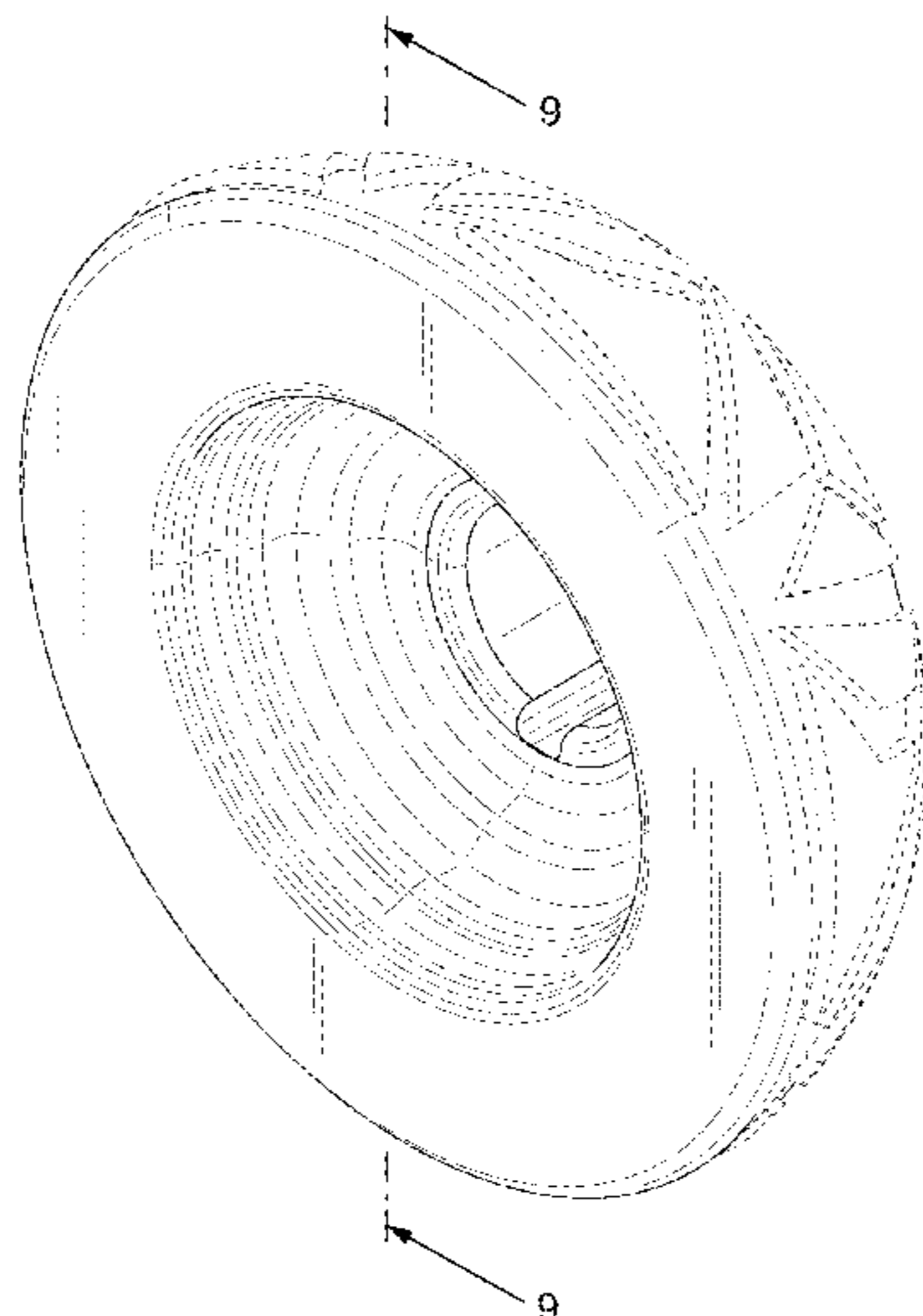
The broken lines in the drawings are for the purpose of illustrating portions of the hand hold for climbing device, which form no part of the claimed design.

(56) **References Cited**

**U.S. PATENT DOCUMENTS**

D178,477 S \* 8/1956 Williamson ..... D21/826  
D232,250 S \* 7/1974 Caylor ..... D21/412  
D342,115 S \* 12/1993 Petersheim ..... D21/826  
D406,617 S \* 3/1999 Schalasky ..... D21/443  
D427,047 S \* 6/2000 Franklin ..... D8/354  
6,074,327 A \* 6/2000 Franklin ..... A63B 69/0048  
248/231.9  
6,095,950 A \* 8/2000 Katz ..... A63B 9/00  
482/34  
D435,069 S \* 12/2000 Berardelli ..... 446/70  
6,540,645 B1 \* 4/2003 Zeilinger ..... A63B 69/0048  
472/137  
D494,716 S \* 8/2004 Chang ..... D21/713

**1 Claim, 10 Drawing Sheets**



(56)

**References Cited**

U.S. PATENT DOCUMENTS

7,727,118 B1 \* 6/2010 McCall ..... A63B 69/0048  
482/112  
D640,018 S \* 6/2011 Rutherford ..... D30/160  
D642,339 S \* 7/2011 Levin ..... D30/160  
D674,024 S \* 1/2013 Chiu ..... D21/340  
D697,146 S \* 1/2014 Richards ..... D21/484  
D742,601 S \* 11/2015 Holterhaus ..... D30/121  
D845,562 S \* 4/2019 Lewis ..... D30/160  
D869,785 S \* 12/2019 Sporn ..... D30/160  
D870,987 S \* 12/2019 Murray ..... D30/160  
2004/0229732 A1 \* 11/2004 Wang ..... A63B 9/00  
482/37  
2005/0109559 A1 \* 5/2005 Eike ..... A63B 69/0048  
182/90  
2006/0079380 A1 \* 4/2006 Wells ..... A63B 21/0023  
482/49  
2006/0192066 A1 \* 8/2006 Mills ..... A63B 69/0048  
248/314  
2006/0240949 A1 \* 10/2006 Wu ..... A63B 22/001  
482/37  
2008/0293548 A1 \* 11/2008 Moy ..... A63B 69/0048  
482/36

2013/0184124 A1 \* 7/2013 Reed ..... A63B 69/0048  
482/37  
2014/0221163 A1 \* 8/2014 McBride ..... A63B 69/0048  
482/40  
2016/0074731 A1 \* 3/2016 McGowan ..... A63B 69/0048  
482/37  
2018/0126218 A1 \* 5/2018 Curry ..... A63B 23/16  
2018/0140922 A1 \* 5/2018 Greer ..... A63B 21/1636  
2018/0304135 A1 \* 10/2018 Alon ..... A63B 71/022  
2018/0369630 A1 \* 12/2018 Sudeith ..... A63B 9/00  
2019/0009157 A1 \* 1/2019 Sudeith ..... A63B 1/00  
2019/0176011 A1 \* 6/2019 Lehrer ..... A63B 71/0605  
2019/0299076 A1 \* 10/2019 Harrity ..... A63B 69/0048  
2020/0047048 A1 \* 2/2020 Bell ..... A63B 24/0062

OTHER PUBLICATIONS

Information of "Climbing rope" available since Dec. 2016, screenshot of b4adventure.com, <https://www.b4adventure.com/ninjaline-rope.html>, screenshot of amazon.com, [https://www.amazon.com/b4Adventure-Ninjaline-Ninja-Climbing-Assorted/dp/B01G3UII8G/ref=sr\\_1\\_3?ie=UTF8&qid=1539805119&sr=8-3&keywords=ninja+climbing=rope](https://www.amazon.com/b4Adventure-Ninjaline-Ninja-Climbing-Assorted/dp/B01G3UII8G/ref=sr_1_3?ie=UTF8&qid=1539805119&sr=8-3&keywords=ninja+climbing=rope), and photo pictures of climbing rope (2 pages).

\* cited by examiner

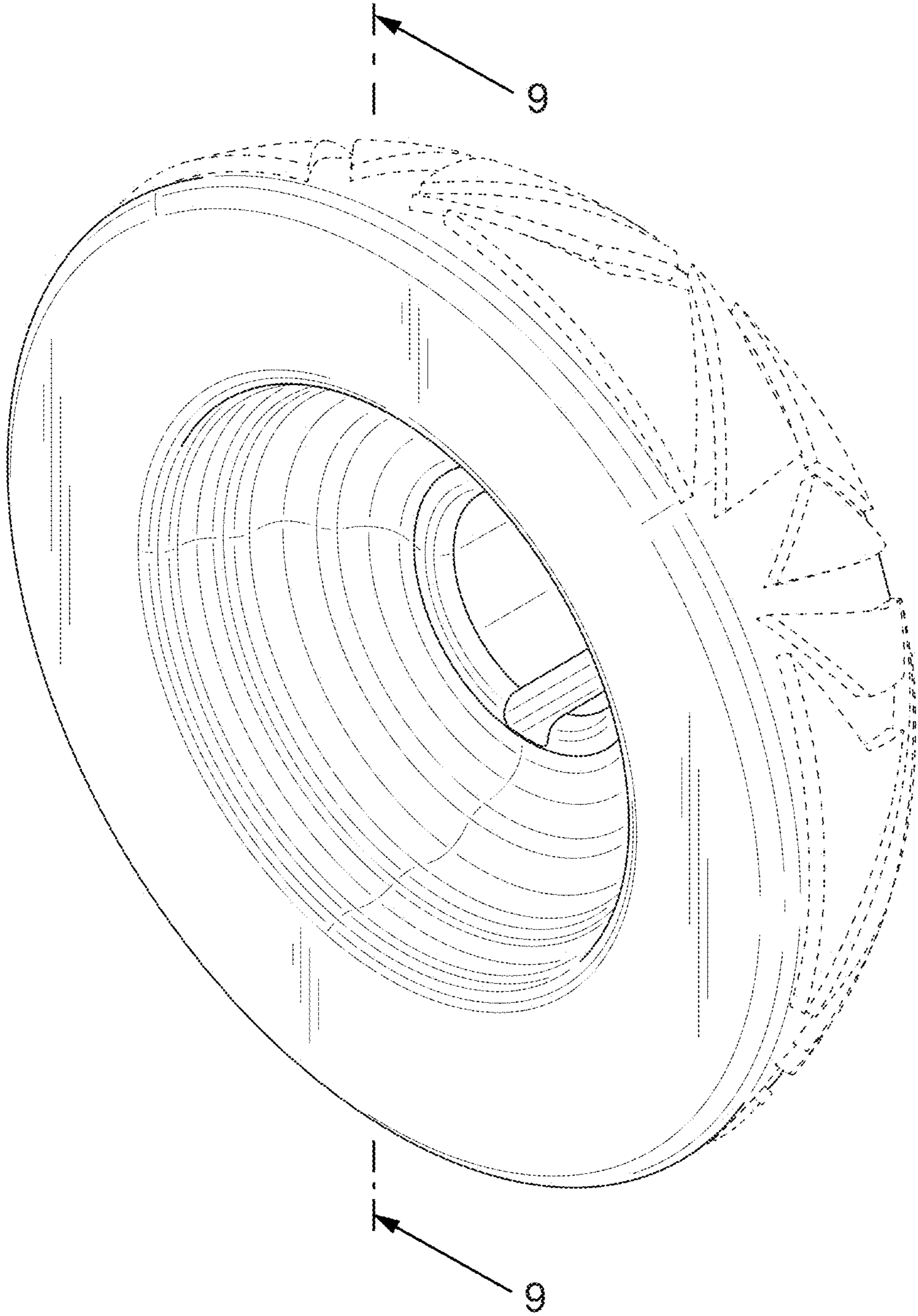


FIG. 1

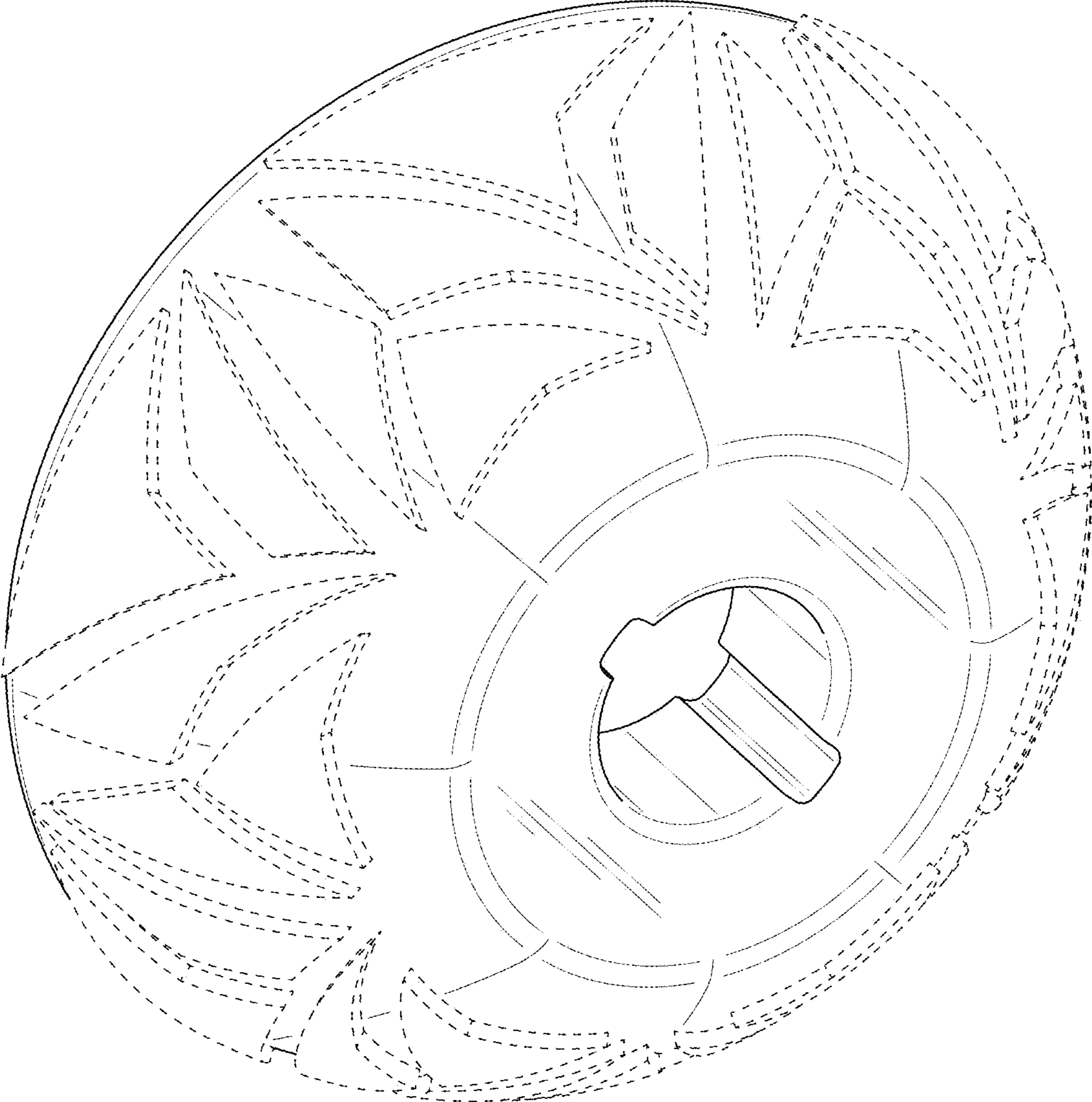


FIG. 2

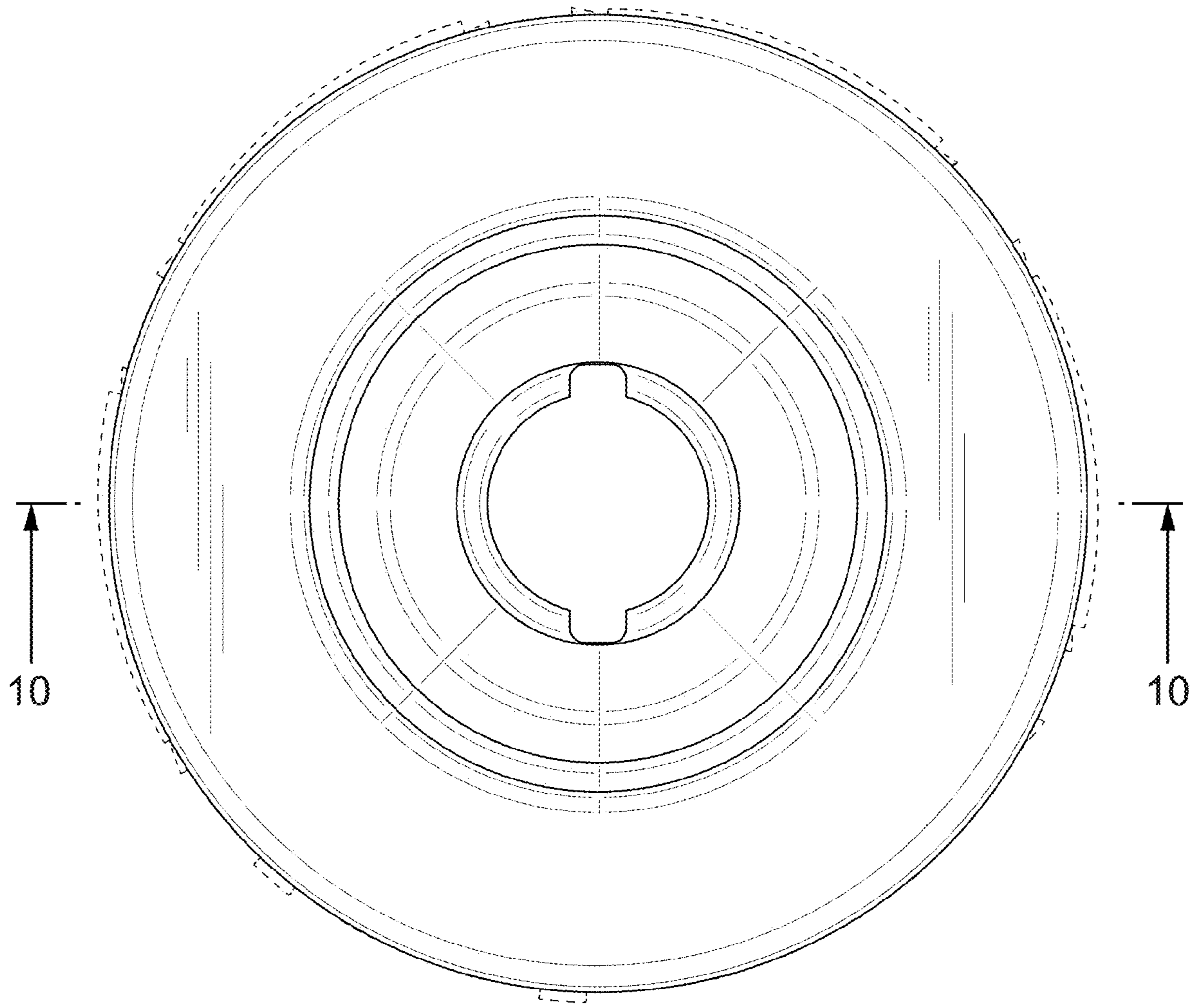


FIG. 3

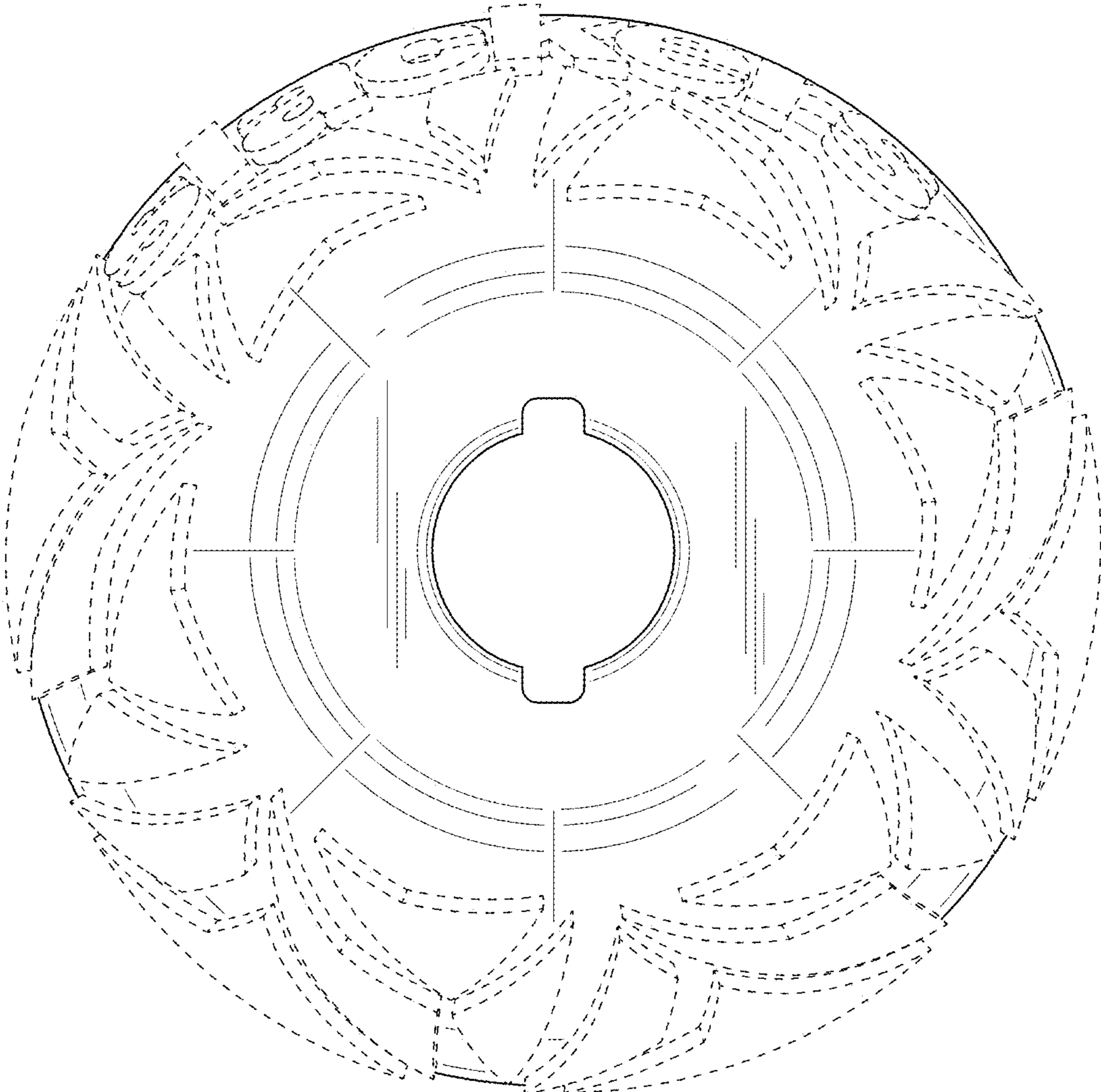


FIG. 4

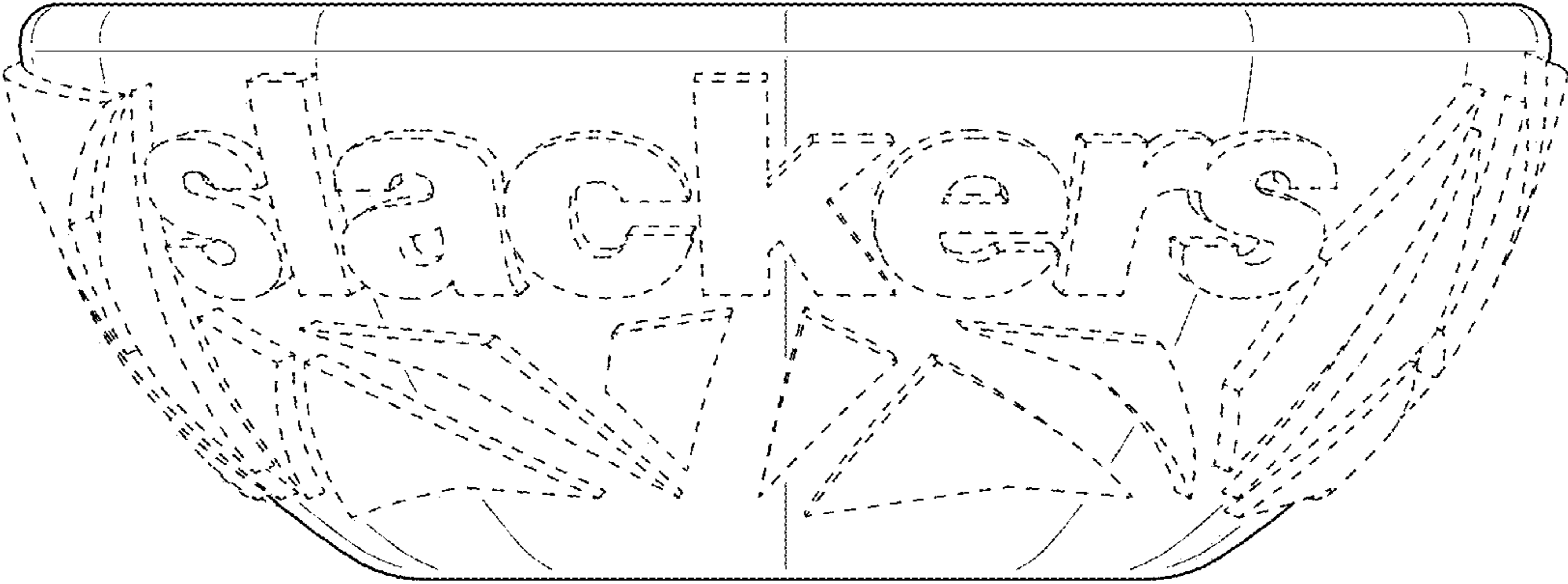


FIG. 5

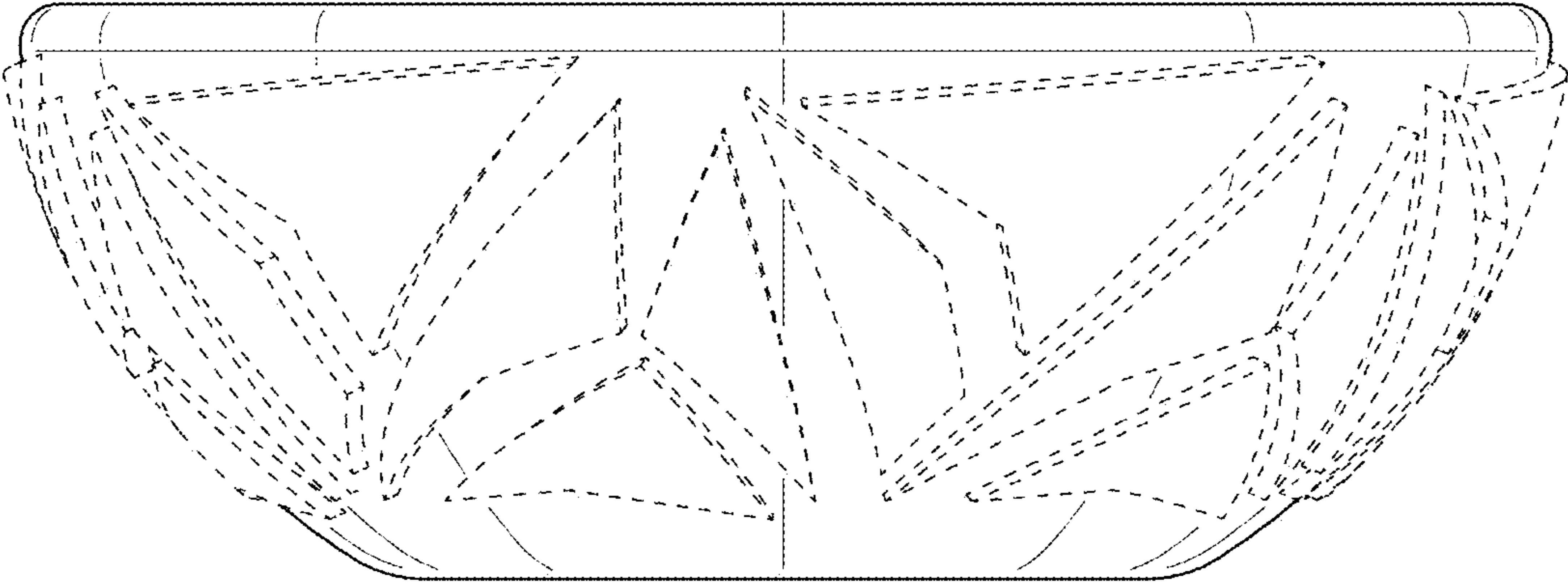


FIG. 6



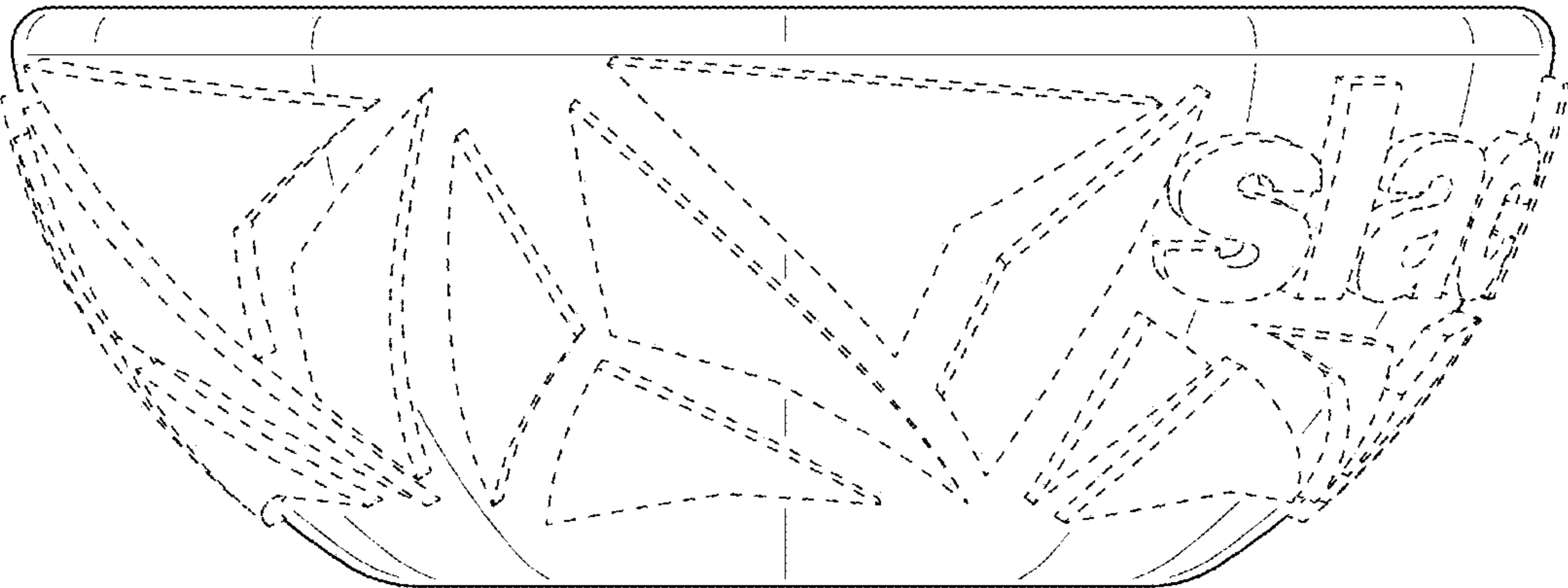


FIG. 7

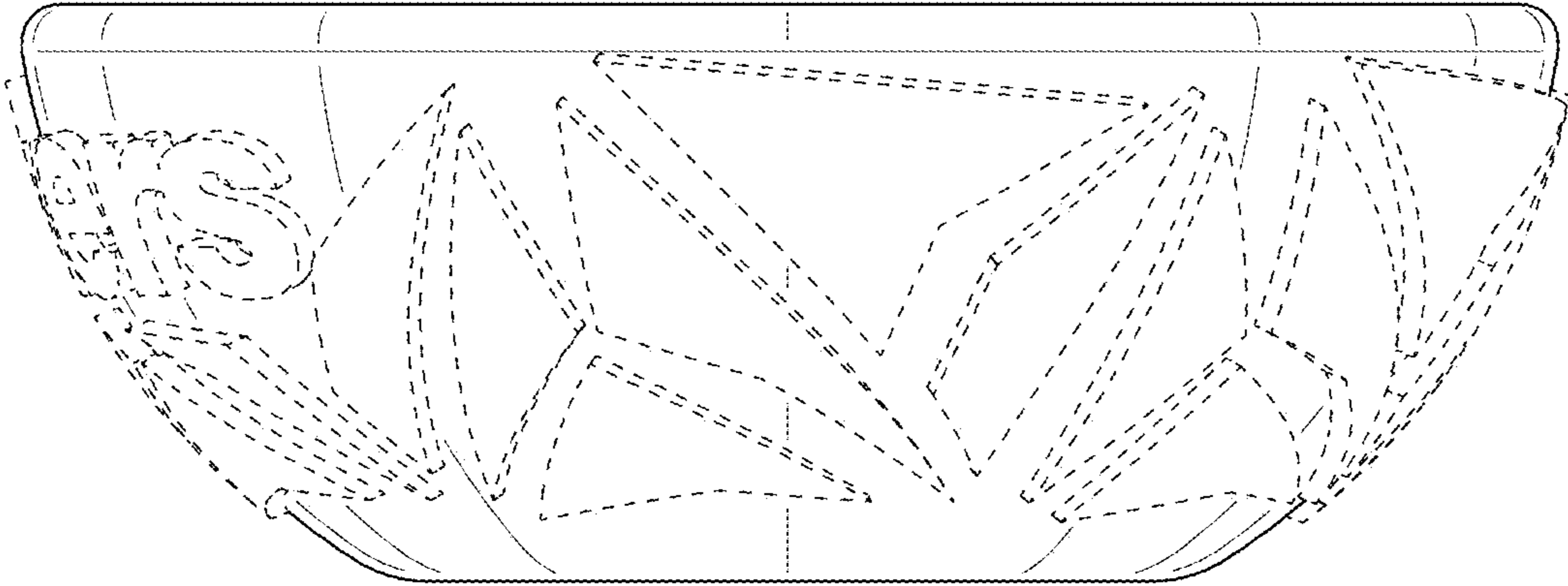


FIG. 8

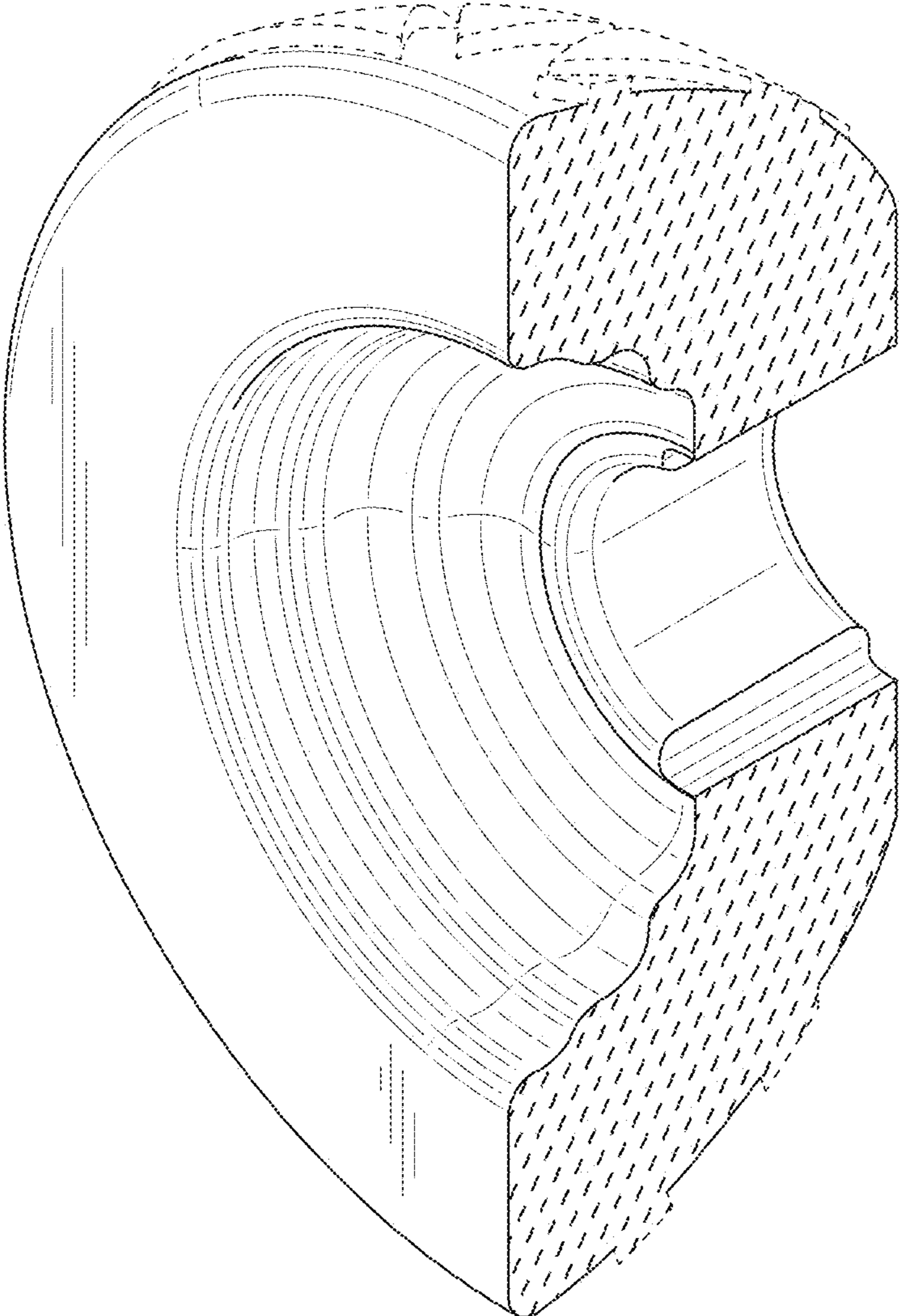


FIG. 9

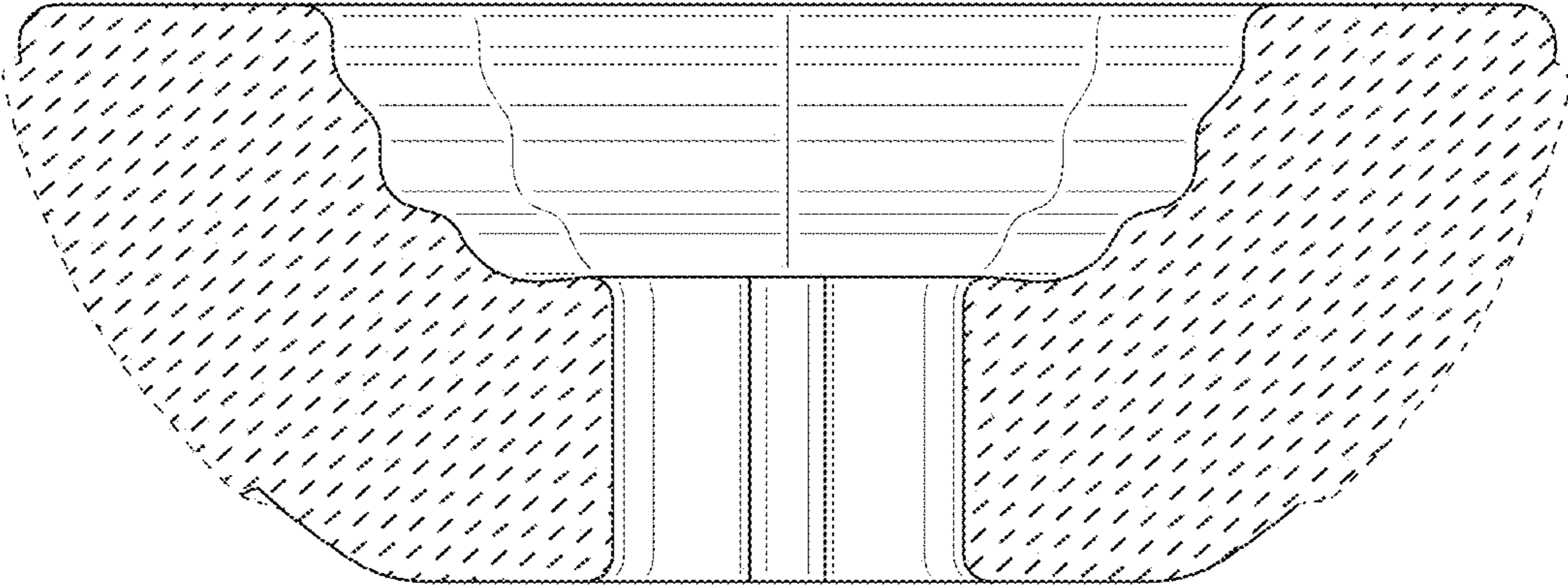


FIG. 10