



US00D891541S

(12) **United States Design Patent** (10) **Patent No.:** **US D891,541 S**  
**Lin** (45) **Date of Patent:** **\*\* Jul. 28, 2020**

(54) **HANDS AND FEET PULL EXERCISER**

D636,036 S \* 4/2011 Rios ..... D21/662  
7,998,034 B1 \* 8/2011 Cobo ..... A63B 69/0028  
482/126  
D654,124 S \* 2/2012 Davis ..... D21/662  
D657,008 S \* 4/2012 Markovic ..... D21/662  
D678,434 S \* 3/2013 Hughes ..... D21/662  
D711,986 S \* 8/2014 Russotti ..... D21/694

(71) Applicants: **LONG TRAIN ENTERPRISE CO., LTD.**, Taichung (TW); **Richard Lin**, Taichung (TW)

(72) Inventor: **Richard Lin**, Taichung (TW)

(Continued)

(73) Assignee: **LONG TRAIN ENTERPRISE CO., LTD.**, Taichung (TW)

**OTHER PUBLICATIONS**

(\*\*) Term: **15 Years**

Amazon, "Multi\_Leg Exerciser". May 15, 2020. [https://www.amazon.com/MIKSKTY-Multifunction-Exerciser-Resistance-Equipment/dp/B086PFDSHD/ref=sr\\_1\\_93?crd=1N7P4OKGQVR3N&dchild=1&keywords=pedal%2Bresistance%2Bband&qid=1589566304&srefix=pedal%2Bresistance%2B%2Caps%2C154&sr=8-93&th=1](https://www.amazon.com/MIKSKTY-Multifunction-Exerciser-Resistance-Equipment/dp/B086PFDSHD/ref=sr_1_93?crd=1N7P4OKGQVR3N&dchild=1&keywords=pedal%2Bresistance%2Bband&qid=1589566304&srefix=pedal%2Bresistance%2B%2Caps%2C154&sr=8-93&th=1). Shown on p. 1 (Year: 2020).\*

(Continued)

(21) Appl. No.: **29/683,621**

(22) Filed: **Mar. 14, 2019**

(51) **LOC (12) Cl.** ..... **21-02**

(52) **U.S. Cl.**  
USPC ..... **D21/692**

(58) **Field of Classification Search**  
USPC ..... D21/662, 682, 683, 684, 685, 692, 694;  
D24/189, 190, 212; D30/152, 153  
CPC .... A63B 21/00043; A63B 21/02; B25G 1/102  
See application file for complete search history.

*Primary Examiner* — Cynthia Ramirez  
*Assistant Examiner* — Michael A Maharajh  
(74) *Attorney, Agent, or Firm* — Egbert Law Offices, PLLC

(56) **References Cited**

(57) **CLAIM**

The ornamental design for a hands and feet pull exerciser, as shown and described.

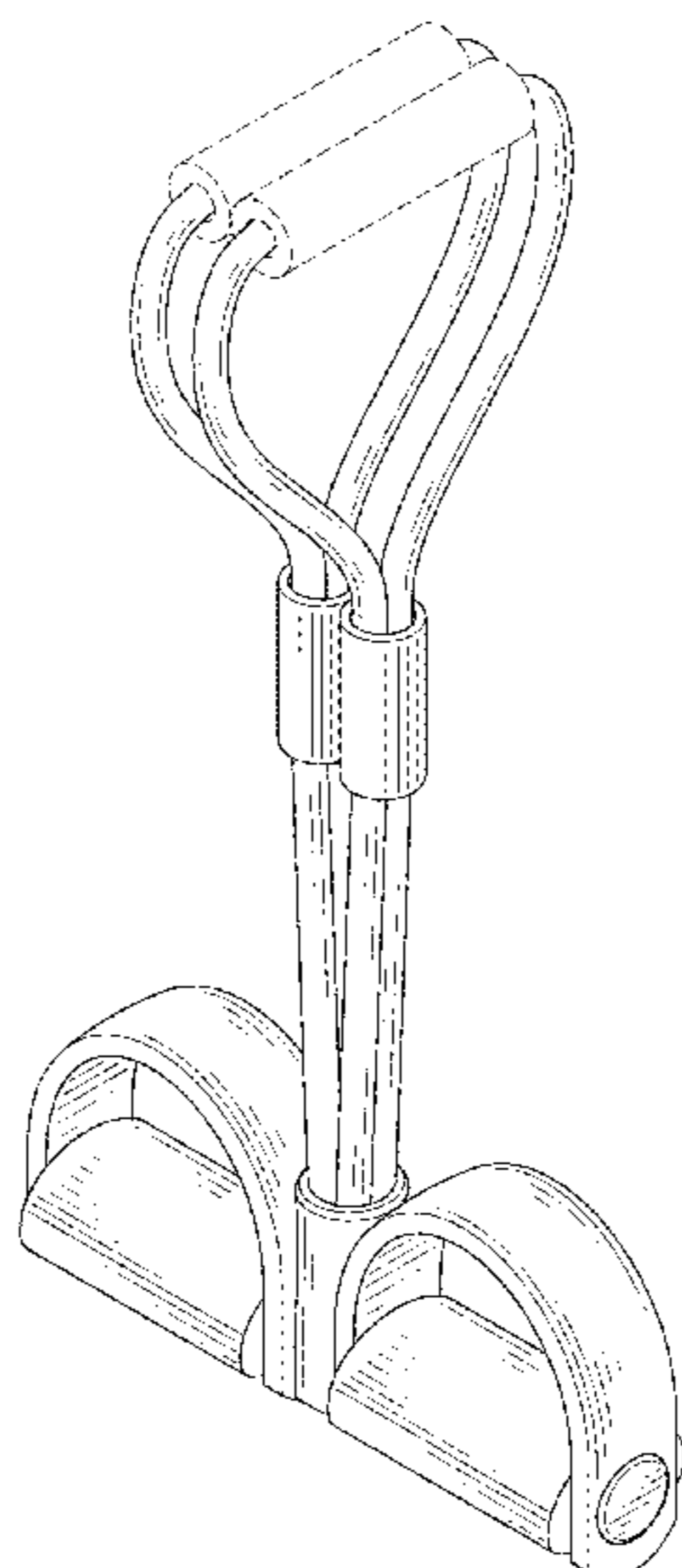
**U.S. PATENT DOCUMENTS**

**DESCRIPTION**

4,057,246 A \* 11/1977 Wilson ..... A63B 21/0552  
482/125  
D256,821 S \* 9/1980 Weider ..... D21/692  
D276,835 S \* 12/1984 Killen ..... D21/679  
D300,338 S \* 3/1989 Kuno ..... D21/684  
D305,678 S \* 1/1990 Kuno ..... D21/684  
4,909,505 A \* 3/1990 Tee ..... A63B 21/00043  
482/121  
D346,632 S \* 5/1994 Castellanos ..... D21/692  
5,569,136 A \* 10/1996 Holten ..... A63B 21/0004  
482/126  
D406,287 S \* 3/1999 Carver ..... D21/662  
D437,623 S \* 2/2001 Ormsby ..... D21/662  
D455,185 S \* 4/2002 Karadimas ..... D21/692  
6,450,929 B1 \* 9/2002 Markham ..... A63B 21/0552  
482/121

FIG. 1 is a perspective view of a hands and feet pull exerciser showing my new design;  
FIG. 2 is a front view thereof;  
FIG. 3 is a rear view thereof;  
FIG. 4 is a side view thereof;  
FIG. 5 is an opposite side view thereof;  
FIG. 6 is a top plan view thereof; and,  
FIG. 7 is a bottom plan view thereof.  
The features presented in broken lines represent unclaimed portions of the hands and feet pull exerciser and form no part of the claimed design.

**1 Claim, 7 Drawing Sheets**



(56)

**References Cited**

U.S. PATENT DOCUMENTS

8,920,293 B1 \* 12/2014 Rosaly ..... A63B 21/0555  
482/121  
D742,461 S \* 11/2015 Baldwin ..... D21/662  
9,308,411 B2 \* 4/2016 Friedberg ..... A63B 21/00061  
D798,972 S \* 10/2017 Wallace ..... D21/692  
D860,341 S \* 9/2019 Mantione, III ..... D21/694  
D861,804 S \* 10/2019 Rios ..... D21/662  
D864,319 S \* 10/2019 Mantione, III ..... D21/692  
D870,218 S \* 12/2019 Sudell ..... D21/692  
D872,200 S \* 1/2020 Antezana ..... D21/692  
D881,301 S \* 4/2020 Jin ..... D21/692  
2005/0075223 A1 \* 4/2005 Wu ..... A63B 21/0004  
482/126  
2005/0137066 A1 \* 6/2005 Wu ..... A63B 21/0004  
482/126  
2006/0073954 A1 \* 4/2006 Block ..... A63B 21/0552  
482/121  
2007/0042881 A1 \* 2/2007 Wu ..... A63B 21/0004  
482/126

2007/0155600 A1 \* 7/2007 Cunningham ..... A63B 21/0552  
482/126  
2007/0207904 A1 \* 9/2007 Wu ..... A63B 21/0552  
482/126  
2009/0176634 A1 \* 7/2009 Wu ..... A63B 21/0552  
482/122  
2014/0051555 A1 \* 2/2014 Flentye ..... A63B 21/0557  
482/121  
2014/0051558 A1 \* 2/2014 Flentye ..... A63B 21/0557  
482/139  
2014/0051559 A1 \* 2/2014 Flentye ..... A63B 21/00043  
482/139  
2019/0240529 A1 \* 8/2019 Burkinshaw ..... A63B 21/4043  
2019/0299042 A1 \* 10/2019 Slayton ..... A63B 21/0442

OTHER PUBLICATIONS

Twlongtrain, "E030 Pull Go", May 15, 2020. [http://www.twlongtrain.com/productdetail\\_en.php?id=362](http://www.twlongtrain.com/productdetail_en.php?id=362). Shown on p. 1. (Year: 2020).\*

\* cited by examiner

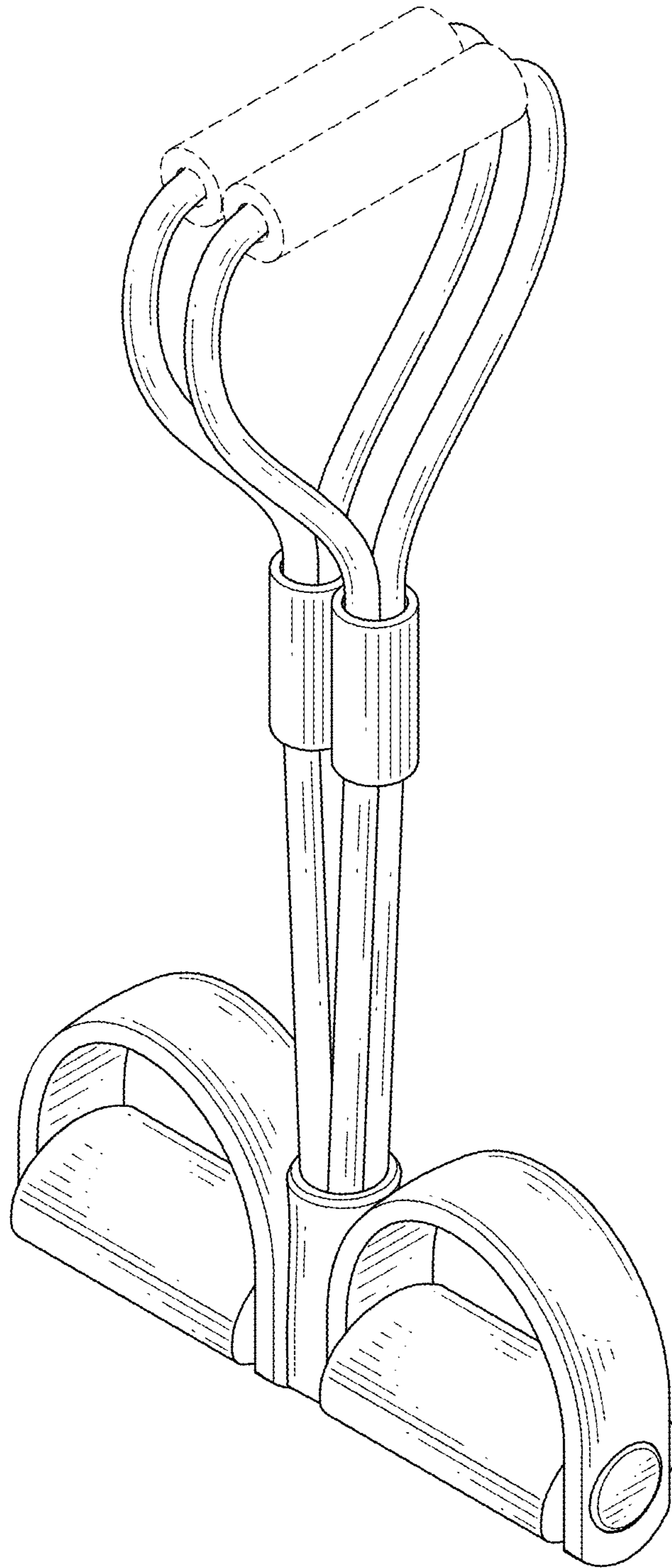


FIG. 1

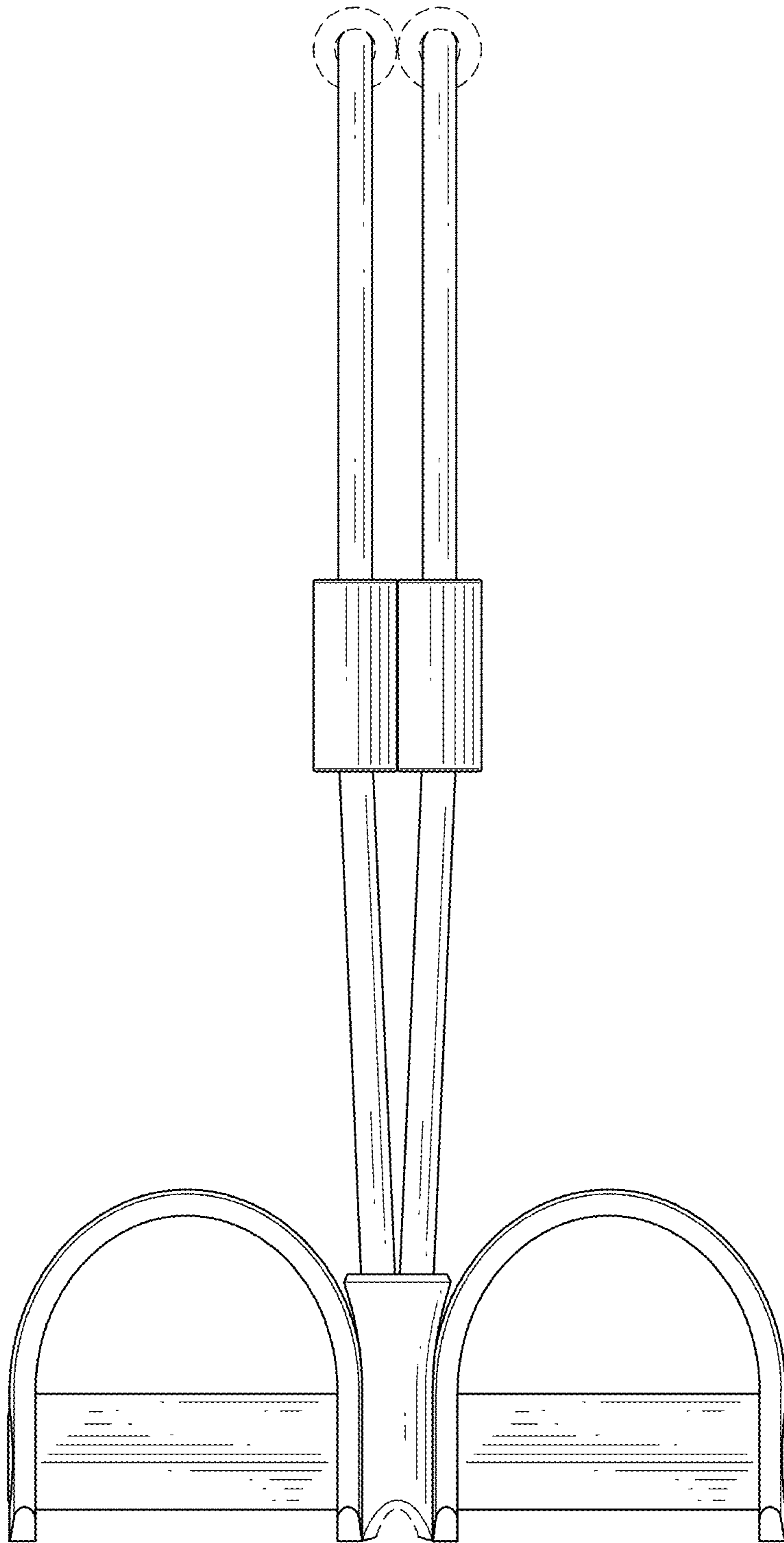


FIG. 2

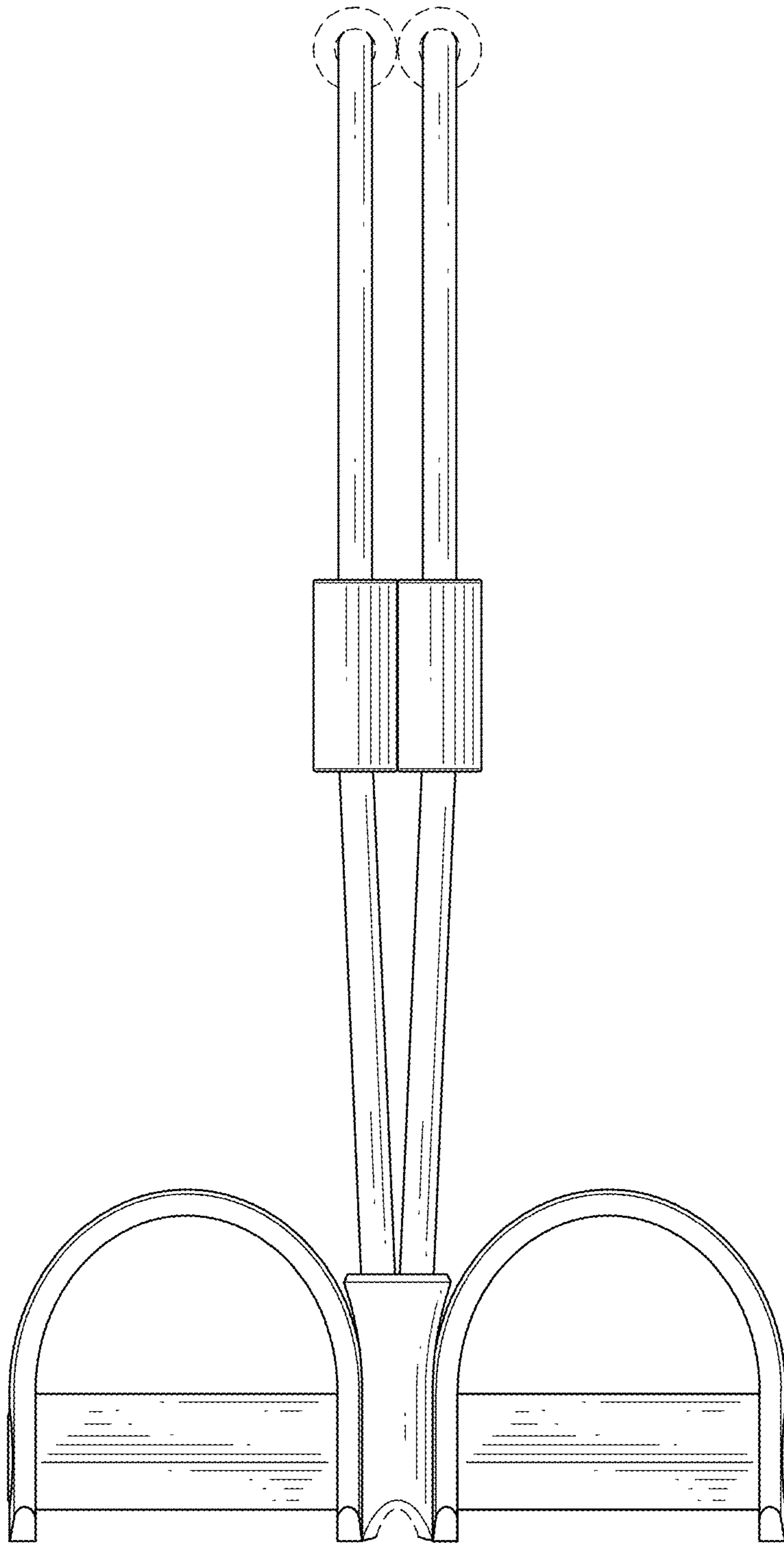


FIG. 3

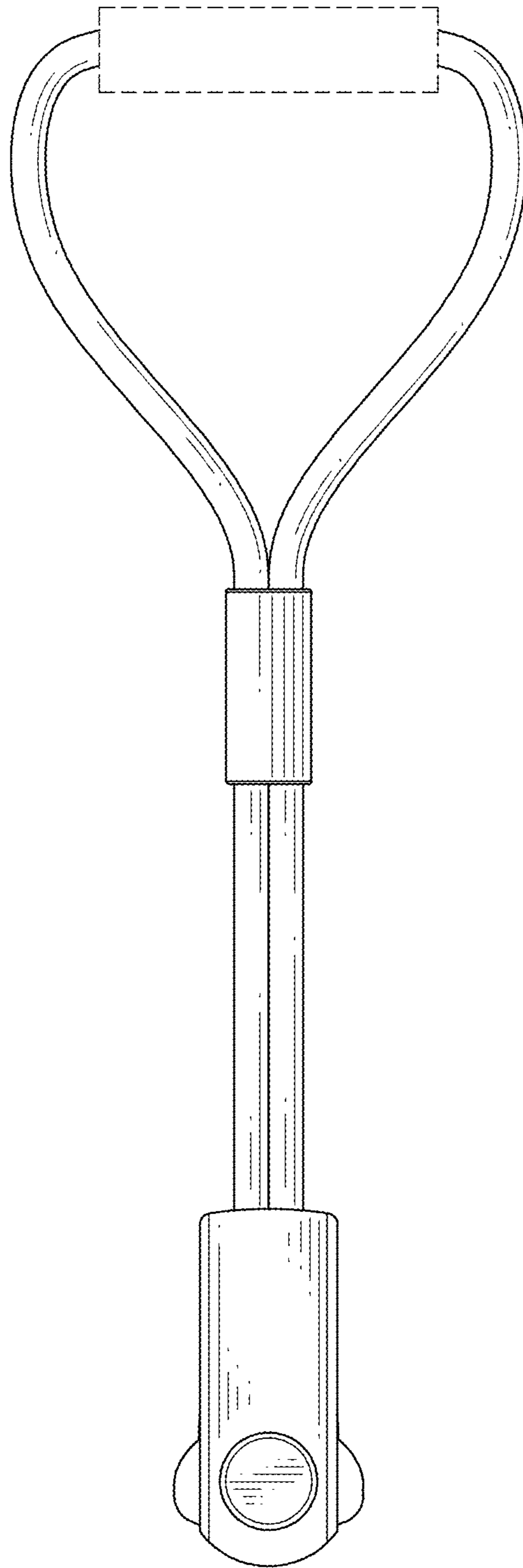


FIG. 4

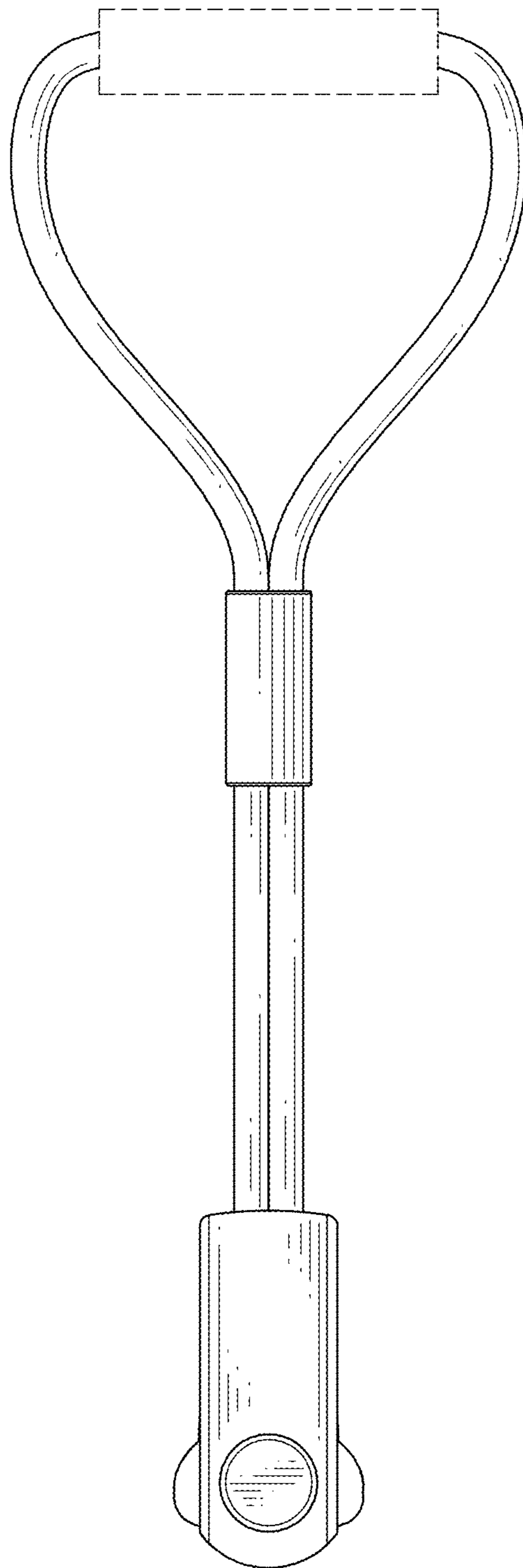


FIG. 5

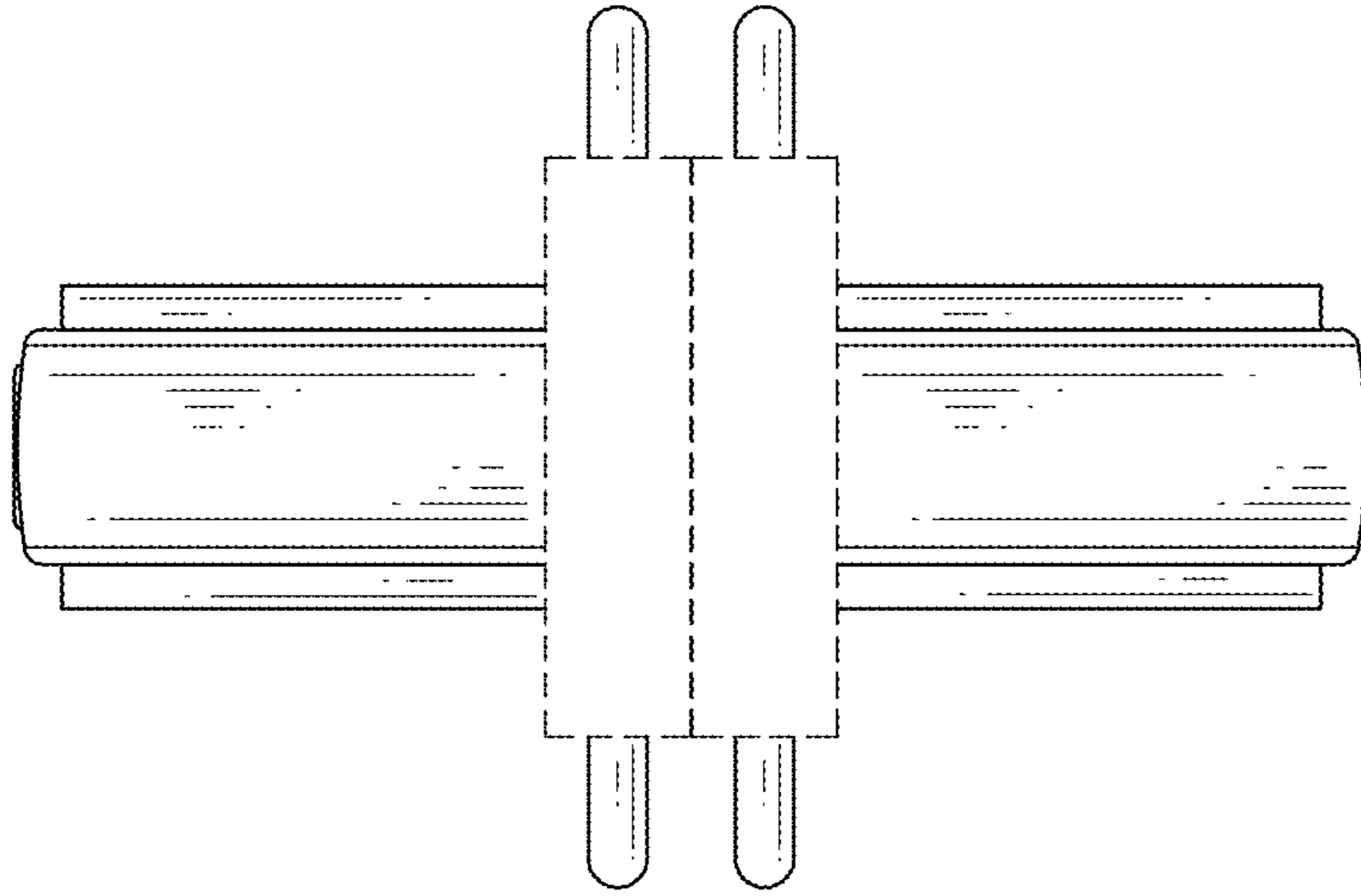


FIG. 6



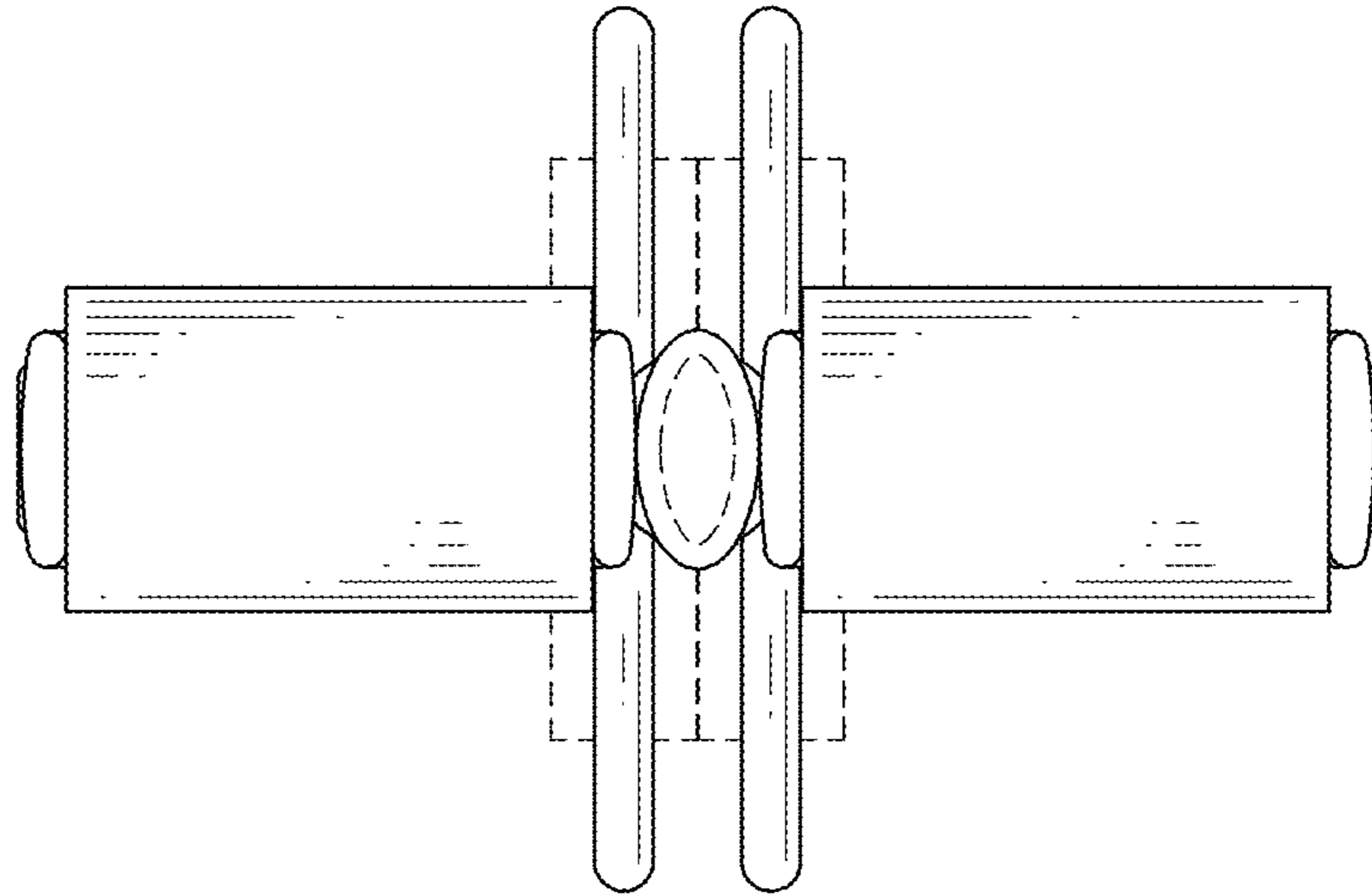


FIG. 7