



US00D891540S

(12) **United States Design Patent**  
**Li**

(10) **Patent No.:** **US D891,540 S**  
(45) **Date of Patent:** **\*\* Jul. 28, 2020**

(54) **LEG STRETCHER BOARD**  
(71) Applicant: **XIAMEN QINGSHUI NETWORK TECHNOLOGY CO., LTD.**, Xiamen (CN)  
(72) Inventor: **Junxiang Li**, Xiamen (CN)  
(73) Assignee: **XIAMEN QINGSHUI NETWORK TECHNOLOGY CO., LTD.**, Xiamen (CN)  
(\*\*) Term: **15 Years**

D294,723 S \* 3/1988 Fleming ..... D21/676  
4,781,373 A \* 11/1988 Irwin ..... A63B 23/0488  
482/131  
4,844,453 A \* 7/1989 Hestilow ..... A61H 1/0244  
482/131  
4,877,239 A \* 10/1989 Dela Rosa ..... A61H 1/0244  
482/131  
4,892,304 A \* 1/1990 DeNiro ..... A63B 23/0488  
482/907  
5,026,049 A \* 6/1991 Goodman ..... A63B 23/0488  
482/131  
5,122,106 A \* 6/1992 Atwood ..... A61H 1/0244  
482/131  
5,137,504 A \* 8/1992 Mangini ..... A61H 1/0244  
482/131

(21) Appl. No.: **29/731,248**  
(22) Filed: **Apr. 13, 2020**  
(51) **LOC (12) Cl.** ..... **21-02**  
(52) **U.S. Cl.**  
USPC ..... **D21/690**  
(58) **Field of Classification Search**  
USPC ..... 482/112, 907, 80, 137, 134, 140, 902,  
482/133, 131, 142, 70, 71; 601/245, 34,  
601/24, 35, 33; D21/676, 691, 668;  
D24/214; D2/900  
CPC ..... Y10S 482/907; A63B 2023/006; A63B  
23/0211; A63B 21/4047; A63B 23/0233;  
A63B 2208/0233; A63B 2208/0252;  
A63B 2210/50  
See application file for complete search history.

(Continued)

Primary Examiner — Ryan Harvey

(56) **References Cited**  
U.S. PATENT DOCUMENTS  
4,445,684 A \* 5/1984 Ruff ..... A61H 1/0244  
482/131  
4,456,247 A \* 6/1984 Ehrenfried ..... A61H 1/0244  
482/131  
4,531,730 A \* 7/1985 Chenera ..... A63B 23/03516  
269/17  
4,647,040 A \* 3/1987 Ehrenfried ..... A61H 1/02  
482/131

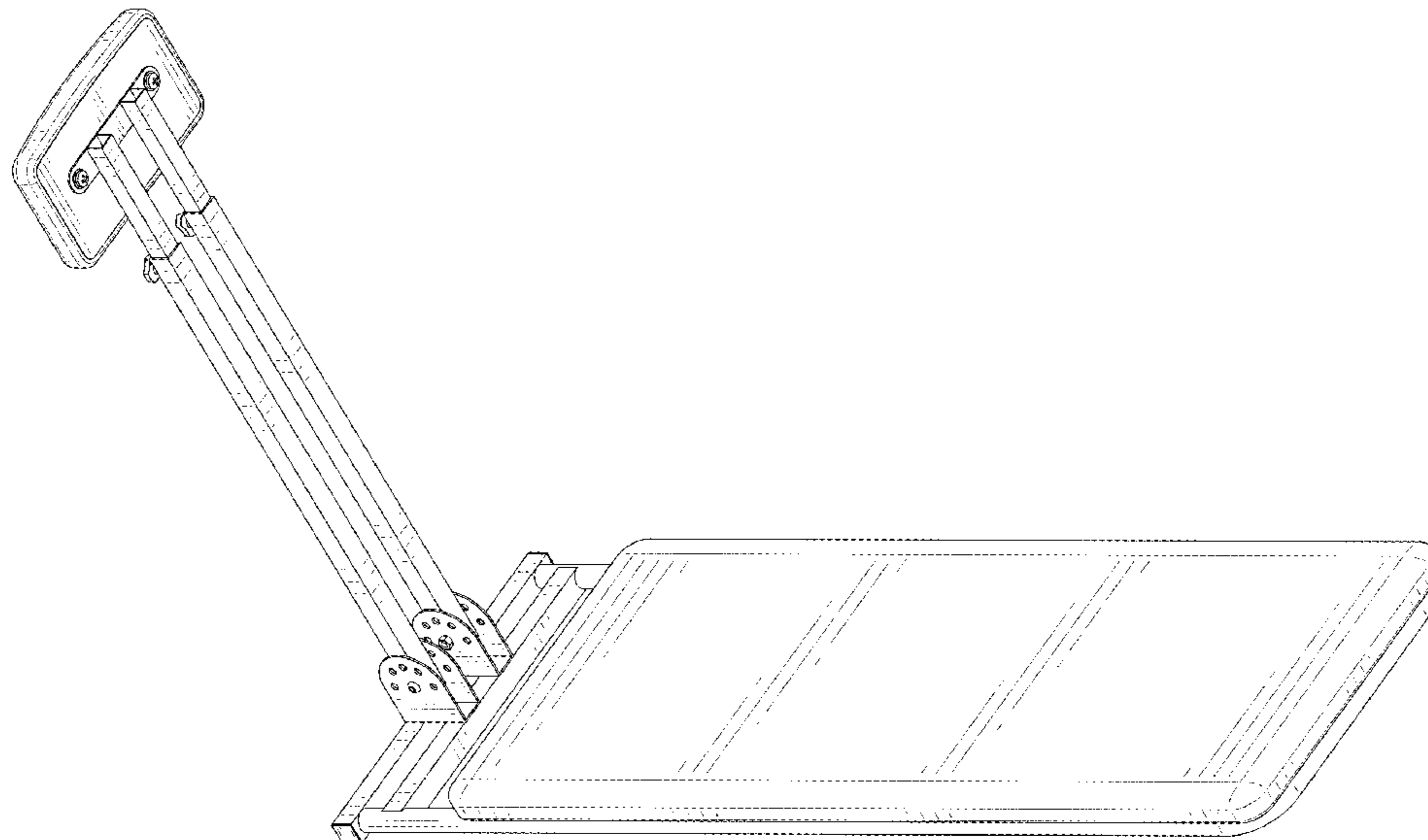
(57) **CLAIM**

The ornamental design for a leg stretcher board, as shown and described.

**DESCRIPTION**

FIG. 1 is a perspective view of a leg stretcher board showing my new design;  
FIG. 2 is another perspective view thereof;  
FIG. 3 is a front elevational view thereof;  
FIG. 4 is a rear elevational view thereof;  
FIG. 5 is a left side elevational view thereof;  
FIG. 6 is a right side elevational view thereof;  
FIG. 7 is a top plan view thereof;  
FIG. 8 is a bottom plan view thereof;  
FIG. 9 is a perspective view of the leg stretcher board where the leg stretcher board is in a configuration of use; and,  
FIG. 10 is a perspective view of the leg stretcher board where the leg stretcher board is in a folded state.  
The broken lines in the drawings depict boundaries of the leg stretcher board that form no part of the claimed design.

**1 Claim, 10 Drawing Sheets**



(56)

References Cited

U.S. PATENT DOCUMENTS

D359,089 S \* 6/1995 Taylor ..... D21/691  
 5,567,202 A \* 10/1996 Hager ..... A63B 23/0233  
 482/131  
 5,584,756 A \* 12/1996 Grapengiser ..... A63B 23/04  
 482/92  
 5,611,770 A \* 3/1997 Tesch ..... A61H 1/0266  
 482/131  
 5,616,110 A \* 4/1997 Nascimento ..... A61H 1/0244  
 482/131  
 5,904,641 A \* 5/1999 Huang ..... A61H 1/0244  
 482/131  
 5,938,573 A \* 8/1999 Davies, III ..... A61H 1/0244  
 482/131  
 6,352,495 B1 \* 3/2002 Hsu ..... A61H 1/0244  
 482/131  
 D455,803 S 4/2002 Webber  
 6,733,426 B2 \* 5/2004 Bussell ..... A63B 21/0083  
 482/112  
 7,160,234 B2 \* 1/2007 Dise ..... A61H 1/0218  
 482/142  
 7,340,786 B1 \* 3/2008 Smith ..... A61H 1/0244  
 5/648  
 D573,209 S 7/2008 Ellison  
 7,762,936 B2 \* 7/2010 Conley ..... A61H 1/0244  
 482/131  
 D626,186 S \* 10/2010 Tsai ..... D21/668  
 D681,313 S \* 5/2013 Goins ..... D2/900

8,801,640 B2 \* 8/2014 Sevy ..... A63B 21/0442  
 482/131  
 D722,174 S \* 2/2015 Almarales ..... D24/214  
 D739,950 S \* 9/2015 Almarales ..... D24/214  
 D763,460 S \* 8/2016 Almarales ..... D24/214  
 D816,784 S 5/2018 Monti  
 10,172,758 B1 \* 1/2019 Downs ..... A61H 1/0237  
 2004/0053752 A1 \* 3/2004 Yang ..... A63B 22/203  
 482/70  
 2004/0242381 A1 \* 12/2004 Parmater ..... A63B 22/205  
 482/71  
 2006/0149317 A1 \* 7/2006 Freeman ..... A61H 1/0292  
 606/242  
 2006/0160673 A1 \* 7/2006 Tennant ..... A61H 1/0244  
 482/91  
 2007/0027480 A1 \* 2/2007 Freeman ..... A61H 1/0292  
 606/242  
 2007/0161480 A1 \* 7/2007 Trancart ..... A61H 1/0237  
 482/74  
 2011/0118094 A1 \* 5/2011 Kissner ..... A63B 21/00047  
 482/131  
 2013/0041295 A1 \* 2/2013 Koenig ..... A61F 5/41  
 601/9  
 2013/0211297 A1 \* 8/2013 Method ..... A61H 1/0237  
 601/34  
 2013/0225378 A1 \* 8/2013 Burek ..... A63B 23/0216  
 482/142  
 2019/0076692 A1 \* 3/2019 Thorpe ..... A63B 21/4015  
 2019/0262210 A1 \* 8/2019 Rideout ..... A61H 1/0218

\* cited by examiner

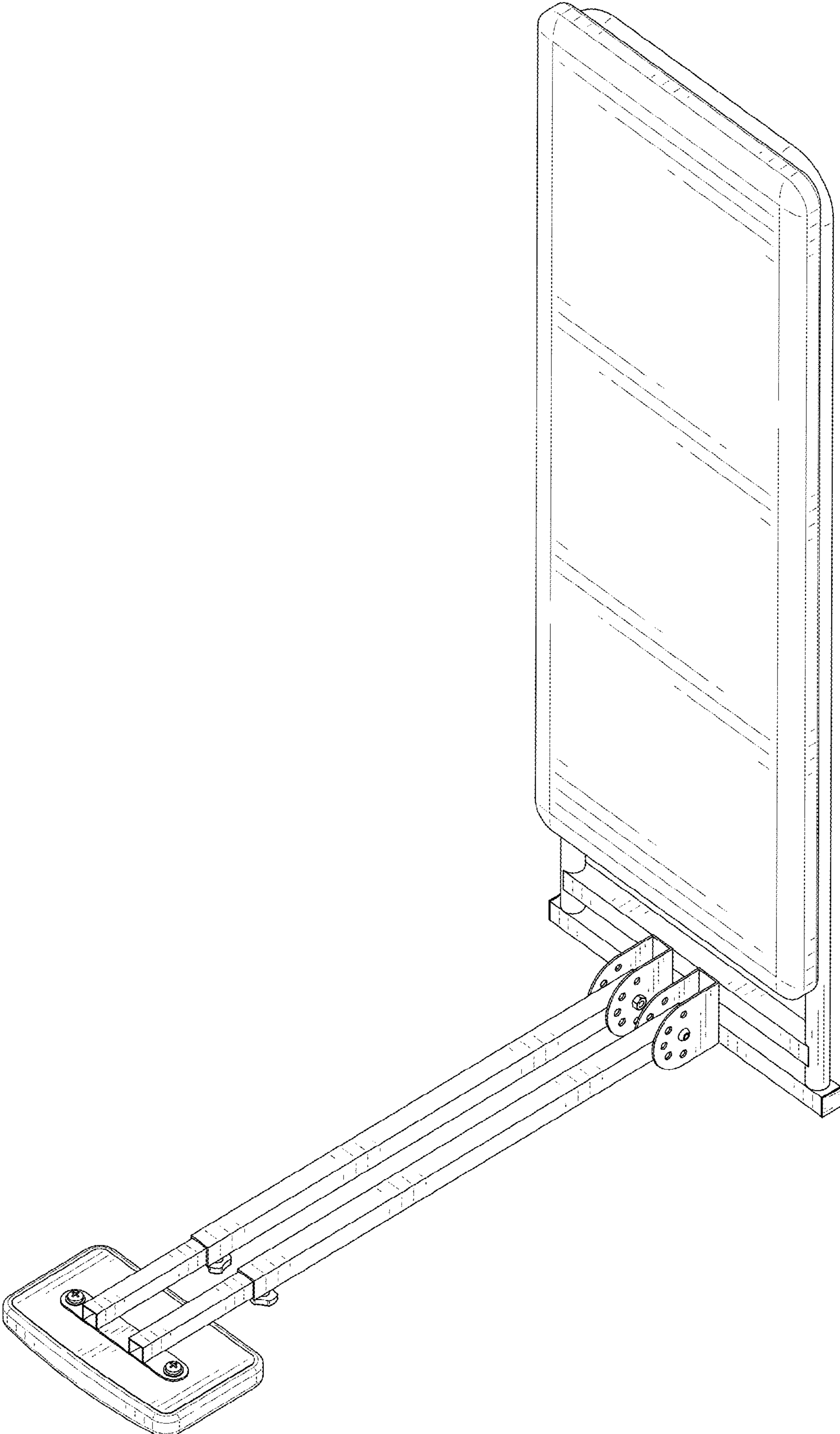


FIG. 1

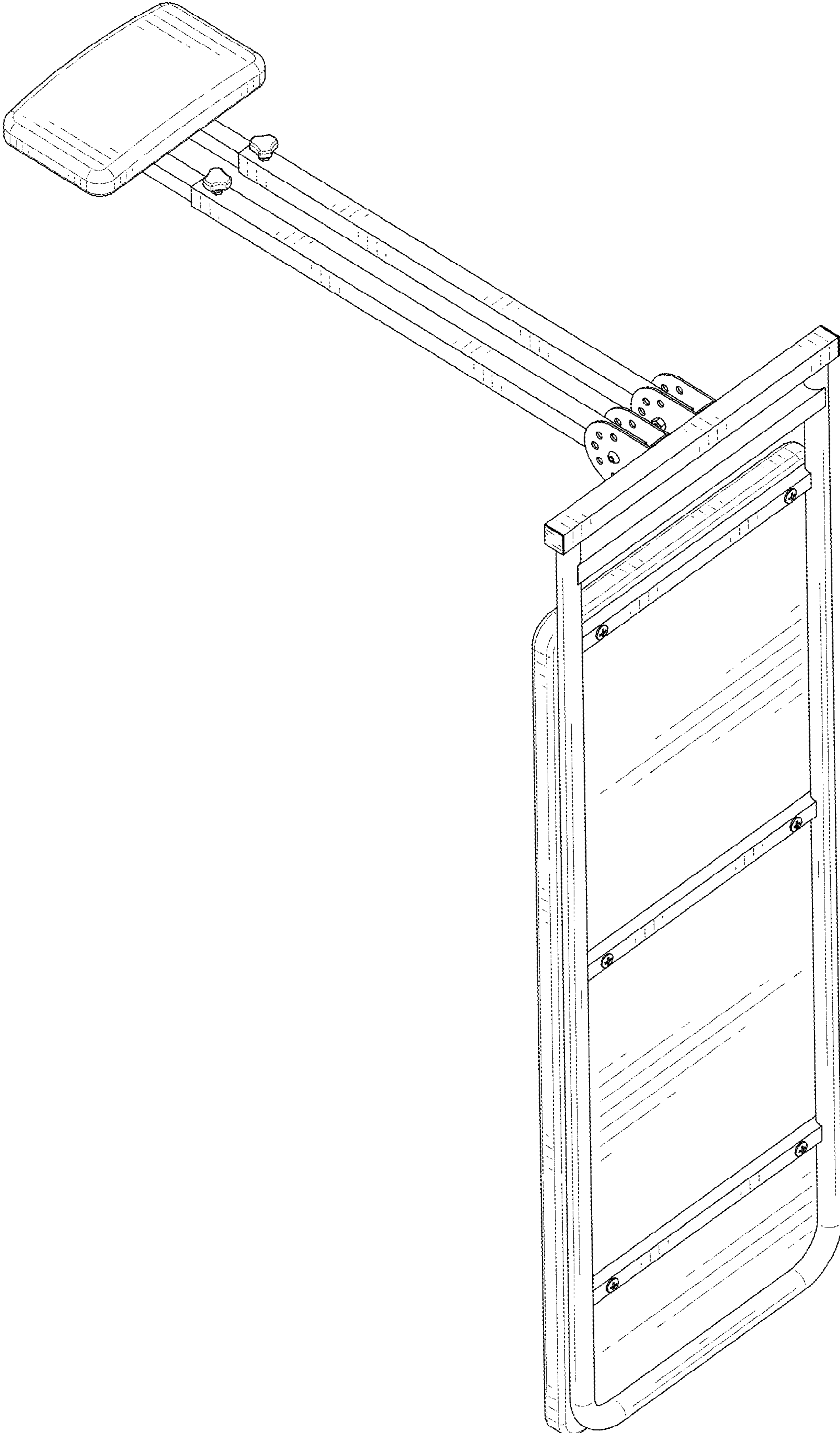


FIG. 2

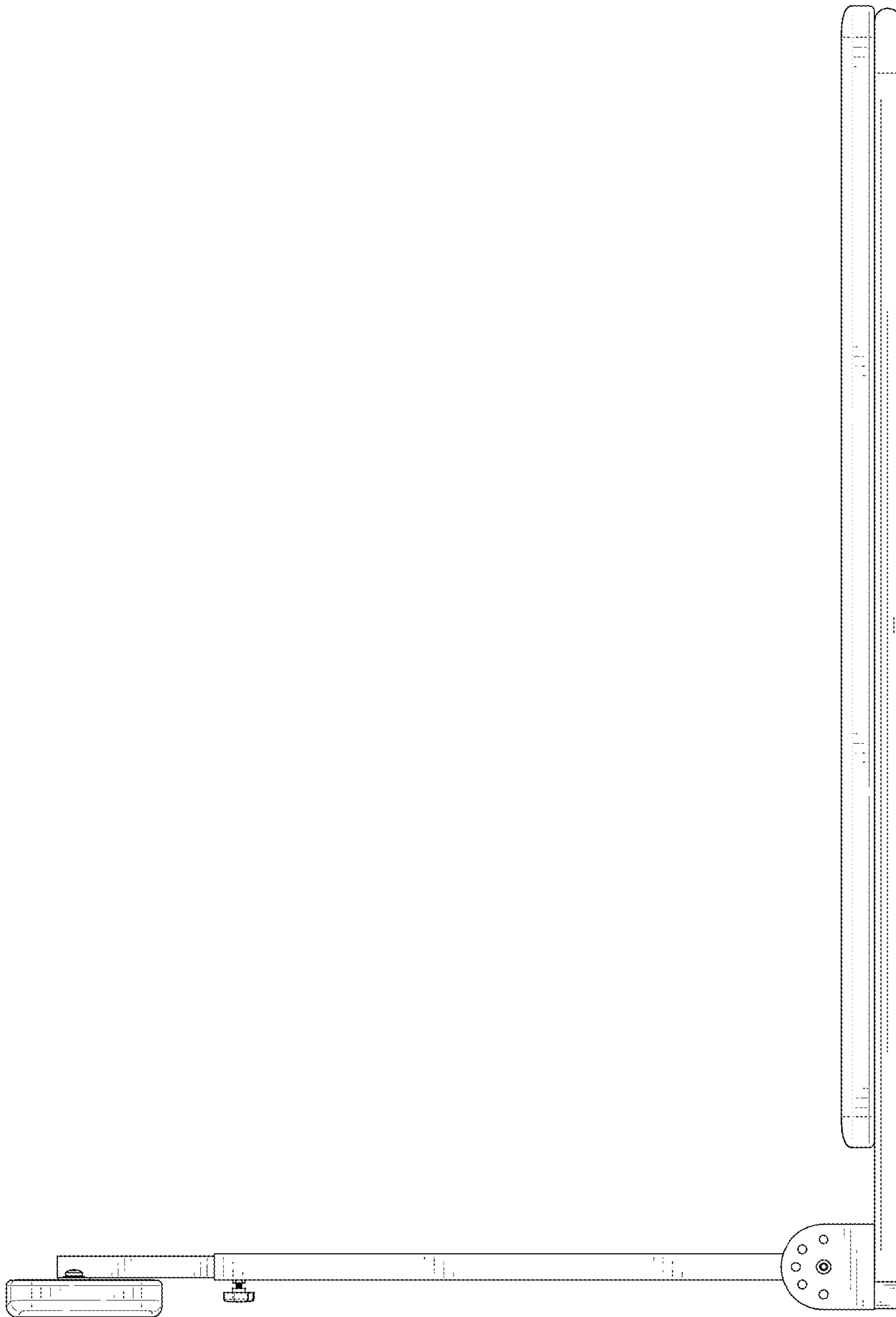


FIG. 3

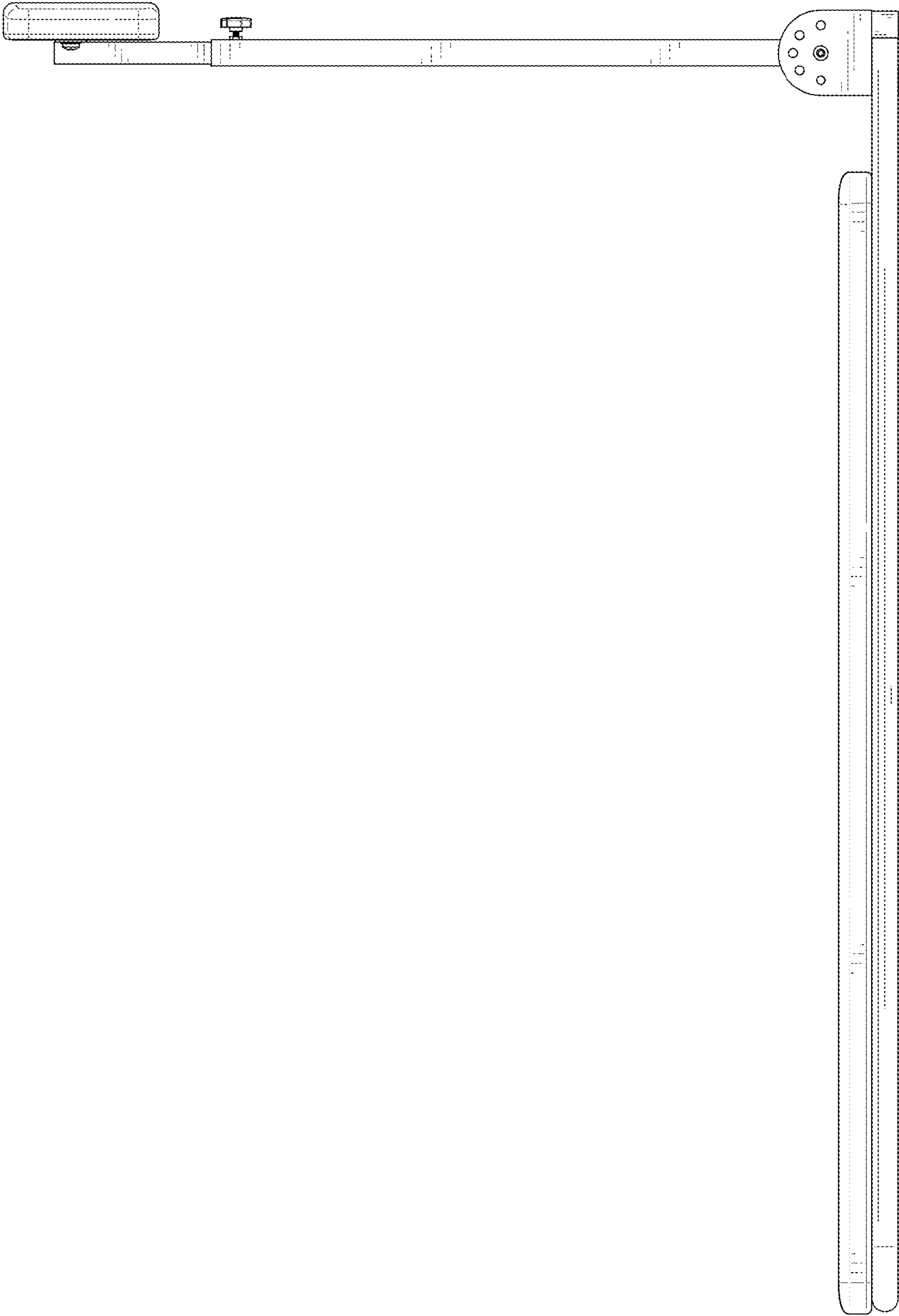


FIG. 4

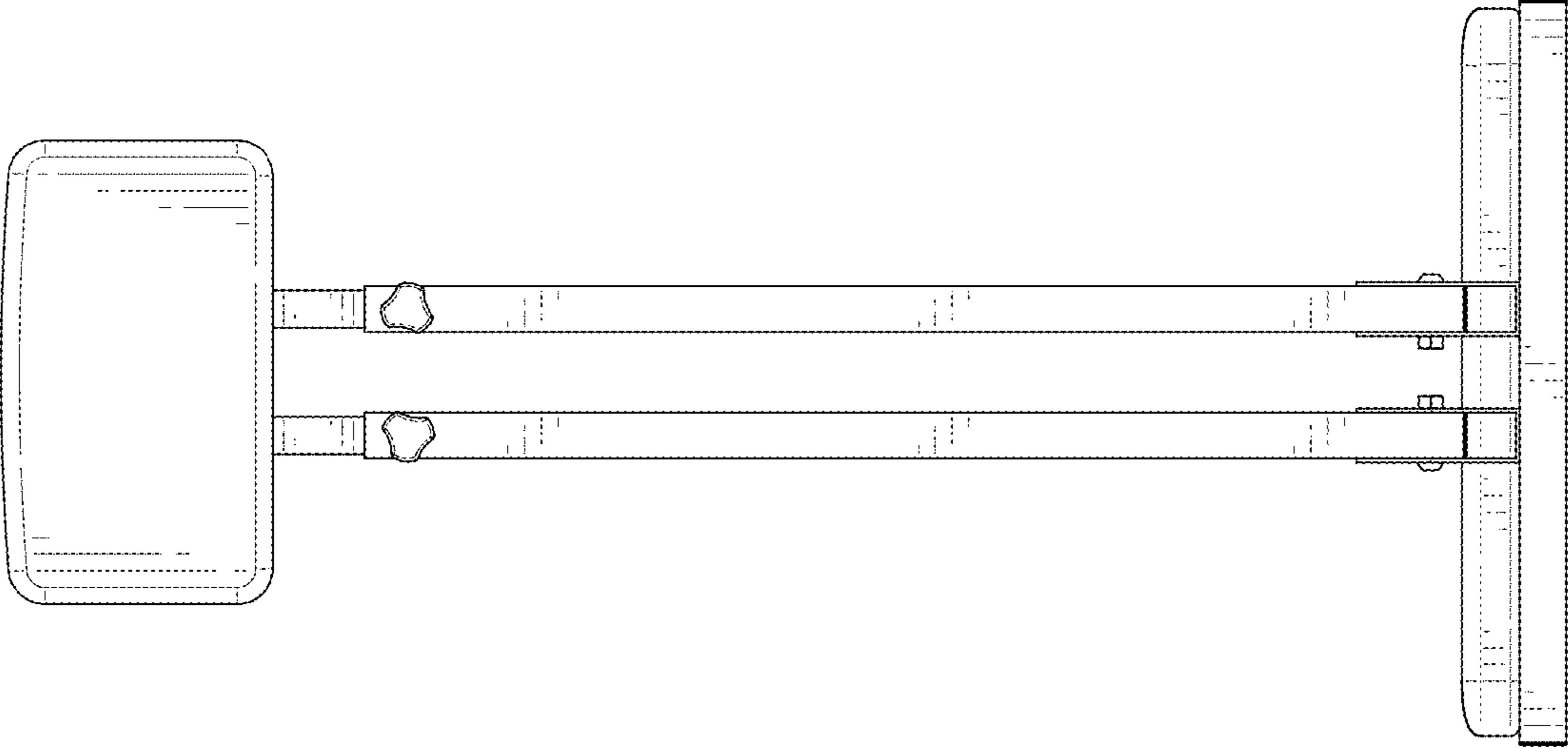


FIG. 5

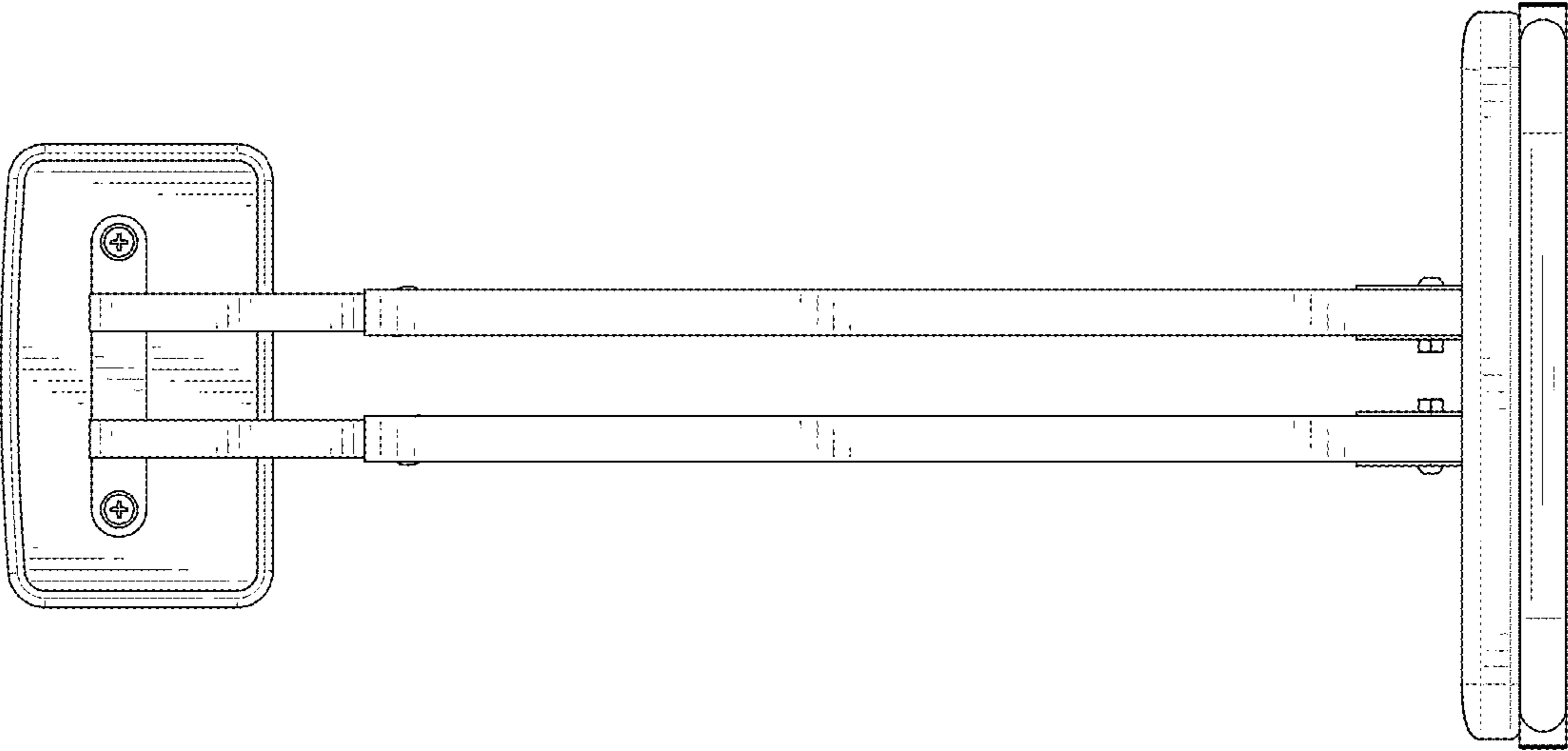


FIG. 6



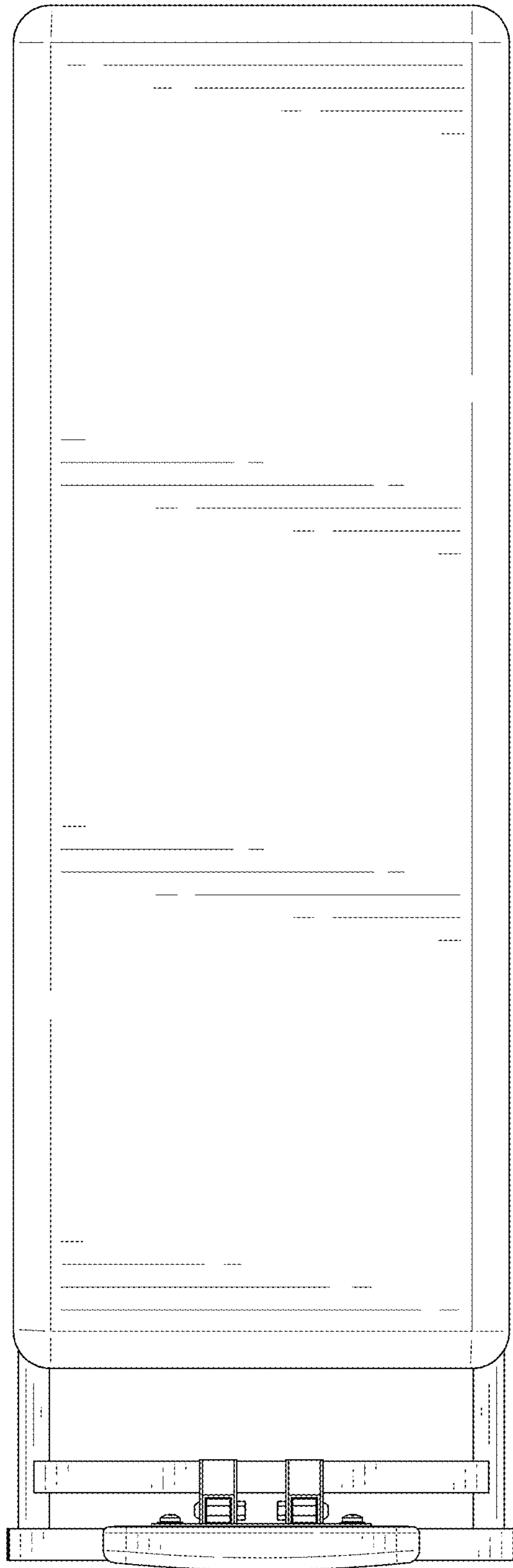


FIG. 7

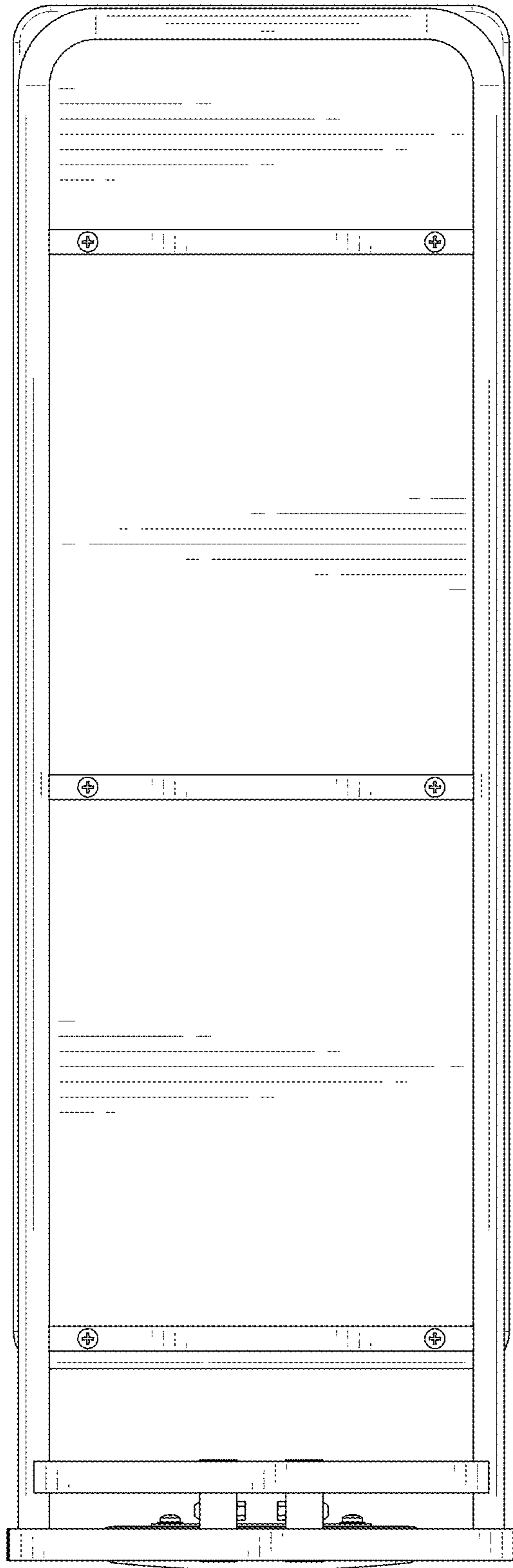


FIG. 8

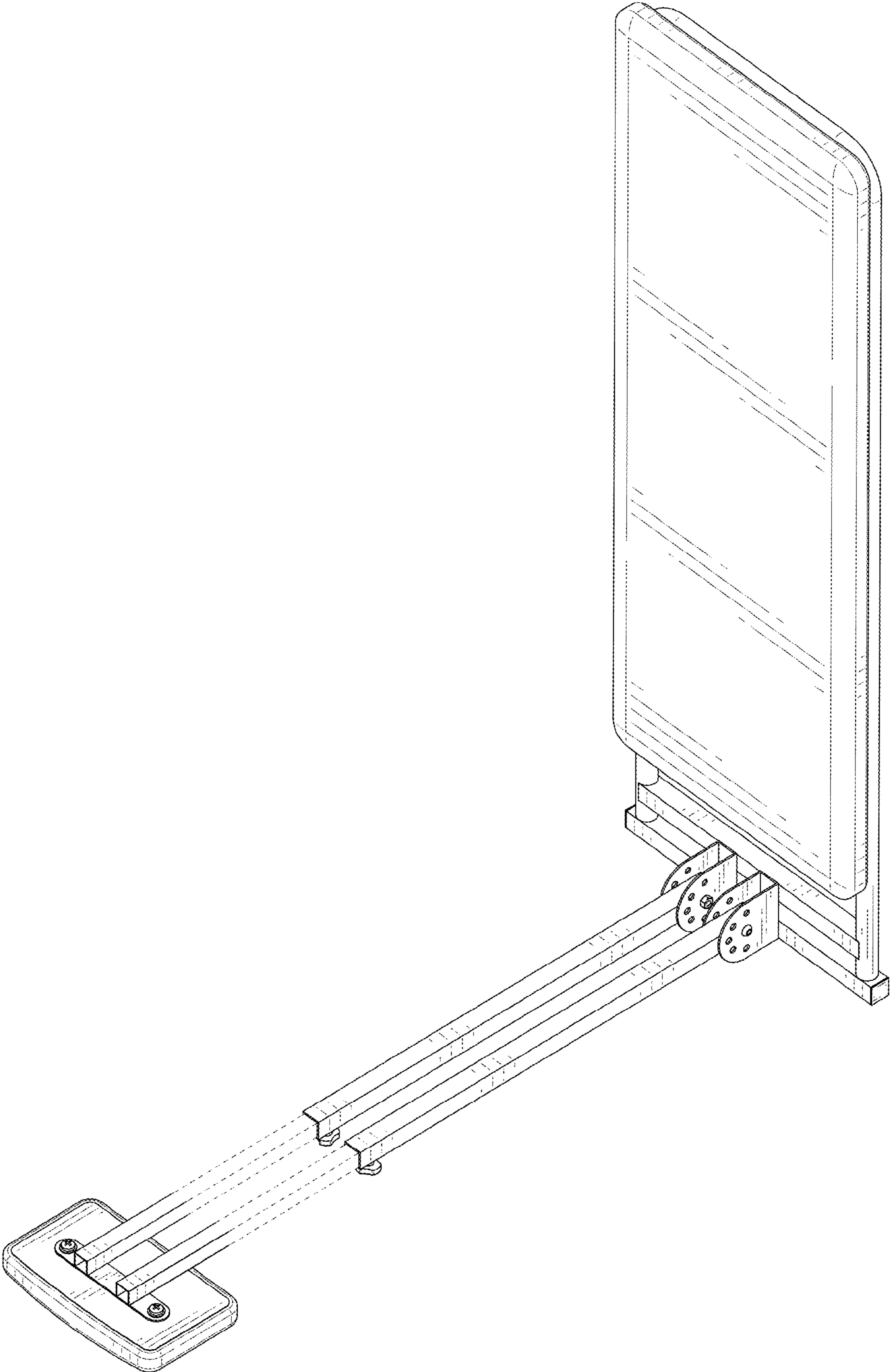


FIG. 9

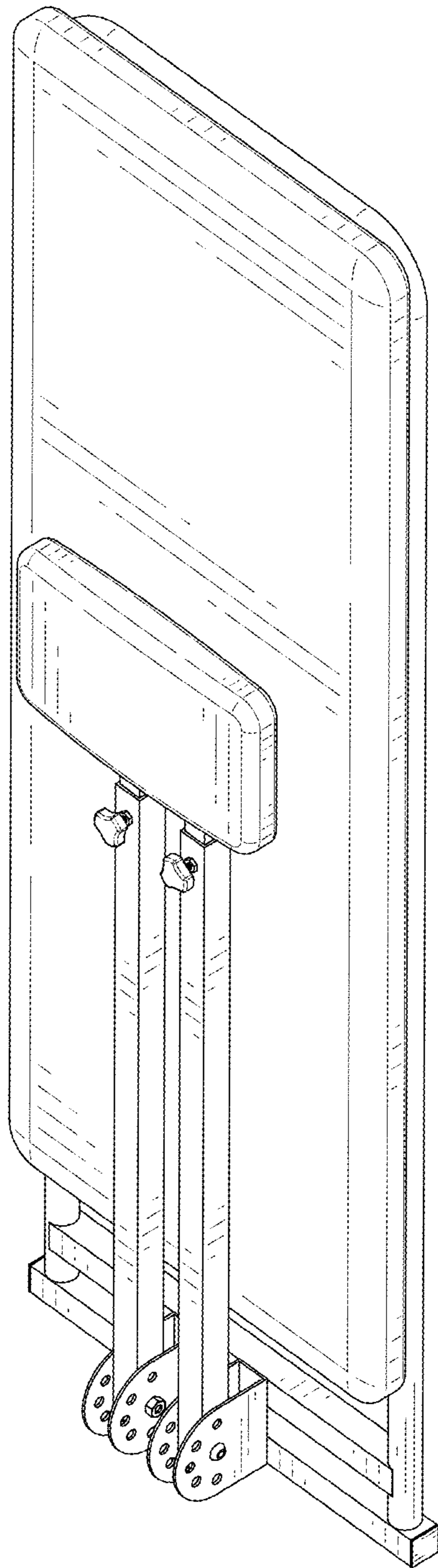


FIG. 10