



US00D891538S

(12) **United States Design Patent** (10) **Patent No.:** **US D891,538 S**
Laaksonen (45) **Date of Patent:** **** Jul. 28, 2020**

(54) **HANGING PULL-UP EXTENSION FOR WALLBAR AND CLIMBING WALL**

D330,057 S * 10/1992 Saunders D21/671
D330,234 S * 10/1992 Saunders D21/671
D330,235 S * 10/1992 Traetta D21/671

(Continued)

(71) Applicant: **Iiro Laaksonen**, Tampere (FI)

Primary Examiner — Ryan Harvey

(72) Inventor: **Iiro Laaksonen**, Tampere (FI)

(74) *Attorney, Agent, or Firm* — Hoffmann & Baron, LLP

(73) Assignee: **Fitwood OY**, Tampere (FI)

(**) Term: **15 Years**

(21) Appl. No.: **29/609,587**

(57) **CLAIM**

(22) Filed: **Jul. 2, 2017**

The ornamental design for hanging pull-up extension for wallbar and climbing wall, as shown and described.

(30) **Foreign Application Priority Data**

Jan. 2, 2017 (EM) 003565605-0007
Jan. 2, 2017 (EM) 003565605-0014
Jan. 2, 2017 (EM) 003565605-0015

DESCRIPTION

(51) **LOC (12) Cl.** **21-02**

FIG. 1 is a perspective view showing the front, bottom and left side view of the hanging pull-up extension for wallbar and climbing wall of my new design;

(52) **U.S. Cl.**

USPC **D21/671**; D21/694

FIG. 2 is a perspective view showing the top, rear and right side view thereof;

(58) **Field of Classification Search**

USPC D21/668, 688, 671, 686, 662, 689, 687, D21/413, 412, 423, 692, 694, 698, 760, D21/765, 766, 769, 803; 482/70, 79, 71, 482/132, 34, 146, 142, 93, 105, 110, 121, 482/123, 126, 130, 139, 141, 147, 148, 482/51, 52, 77; 472/135, 110, 14, 218, 472/269, 409, 451, 452; 600/595; 473/451, 452, 269, 409; D6/349, 353, D6/406.3, 582, 592, 685, 707.22; 280/205, 87.042, 609; D14/413, 419
CPC A63B 22/001; A63B 21/4035; A63B 22/0664; A63B 21/0552; A63B 21/225; A63B 2208/0204; A63B 21/0442

FIG. 3 is a bottom view thereof;

FIG. 4 is a top view thereof;

FIG. 5 is a rear view thereof;

FIG. 6 is a front view thereof;

FIG. 7 is a left side view, the right side view being the mirror image thereof;

FIG. 8 is a perspective view showing the front, bottom and left side view of an alternate embodiment of the hanging pull-up extension for wallbar and climbing wall of my new design;

FIG. 9 is a perspective view showing the top, rear and right side view thereof;

FIG. 10 is a bottom view thereof;

FIG. 11 is a top view thereof;

FIG. 12 is a rear view thereof;

FIG. 13 is a front view thereof; and,

FIG. 14 is a left side view, the right side view being the mirror image thereof.

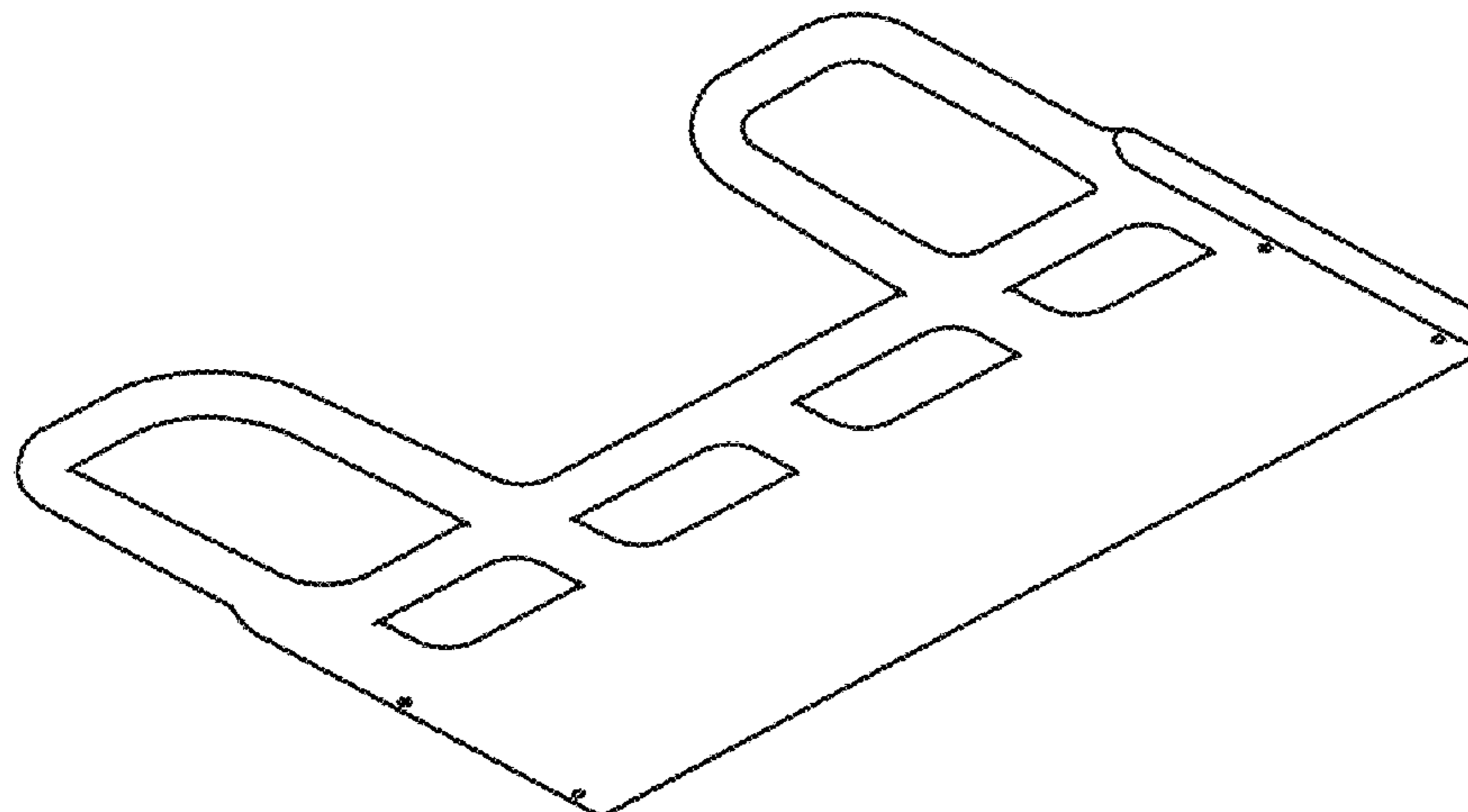
See application file for complete search history.

(56) **References Cited**

U.S. PATENT DOCUMENTS

3,220,141 A * 11/1965 Goss, III A63H 33/084
446/117
D318,958 S * 8/1991 Ahlstrom D6/349

1 Claim, 4 Drawing Sheets



(56)

References Cited

U.S. PATENT DOCUMENTS

5,158,512 A * 10/1992 Irwin A63B 23/0458
 482/142
 D337,362 S * 7/1993 Goldstein D21/671
 5,226,865 A * 7/1993 Chin A63B 23/0458
 108/144.11
 D342,298 S * 12/1993 Schnabel, Jr. D21/671
 5,269,735 A * 12/1993 Pfitzenmeier A63B 22/16
 472/108
 D346,630 S * 5/1994 Van Der Hoeven D21/671
 D347,666 S * 6/1994 Hand D21/671
 D349,540 S * 8/1994 Hand D21/671
 D353,636 S * 12/1994 Le Roux D21/671
 D360,767 S * 8/1995 Fish D21/671
 5,591,105 A * 1/1997 Dalebout A63B 23/0458
 248/188.2
 5,645,511 A * 7/1997 Le Roux A63B 23/0458
 482/142
 6,117,051 A * 9/2000 Suarez A63B 21/078
 482/51
 D449,357 S * 10/2001 Monter Villar D21/671
 D449,662 S * 10/2001 Monter Villar D21/671
 D582,168 S * 12/2008 Sandel D6/349
 D629,853 S * 12/2010 Carlesimo D21/671
 7,927,256 B2 * 4/2011 Flentye A63B 23/0458
 482/142

D659,293 S * 5/2012 Ferguson D30/108
 8,348,812 B2 * 1/2013 Elpers A63B 23/0458
 482/142
 9,192,813 B2 * 11/2015 Ross A63B 23/0458
 D792,118 S * 7/2017 Winfield D6/349
 D813,961 S * 3/2018 Ness D21/686
 D846,666 S * 4/2019 Begin D21/688
 2005/0148449 A1 * 7/2005 Weir A63B 21/00047
 482/142
 2006/0040796 A1 * 2/2006 Holloway A63B 21/028
 482/52
 2007/0087902 A1 * 4/2007 Penat A63B 21/068
 482/52
 2011/0256987 A1 * 10/2011 Lepore A63B 23/0458
 482/52
 2011/0263397 A1 * 10/2011 Jackson A63B 23/0458
 482/142
 2013/0023392 A1 * 1/2013 Glickfield A63B 17/04
 482/142
 2014/0051553 A1 * 2/2014 Hetzel A63B 23/0458
 482/52
 2014/0087930 A1 * 3/2014 Burns A63B 71/0036
 482/142
 2015/0196799 A1 * 7/2015 Chua A63B 23/1236
 482/141
 2015/0231448 A1 * 8/2015 Beedon A63B 26/003
 482/145

* cited by examiner

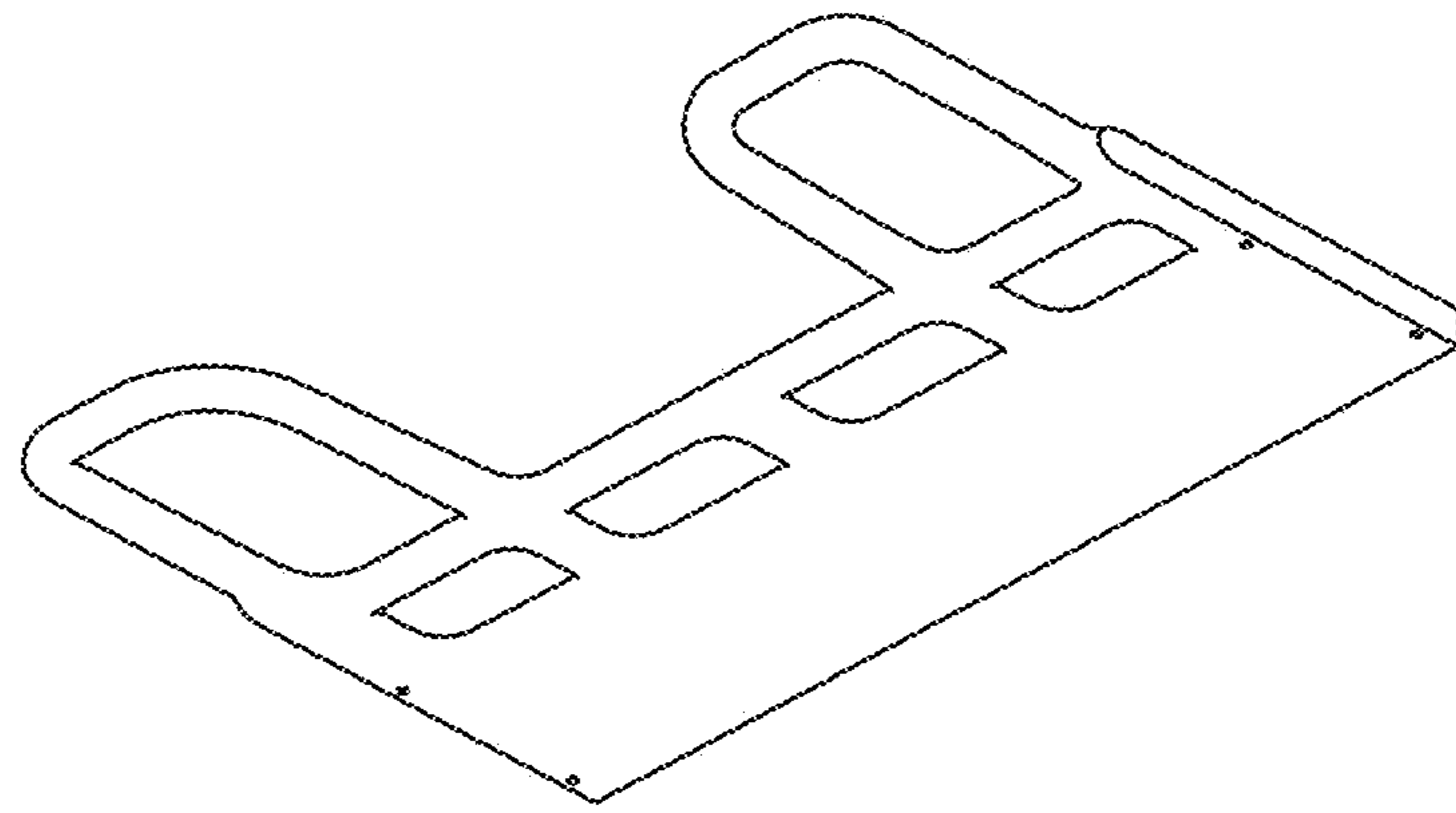


FIG. 1

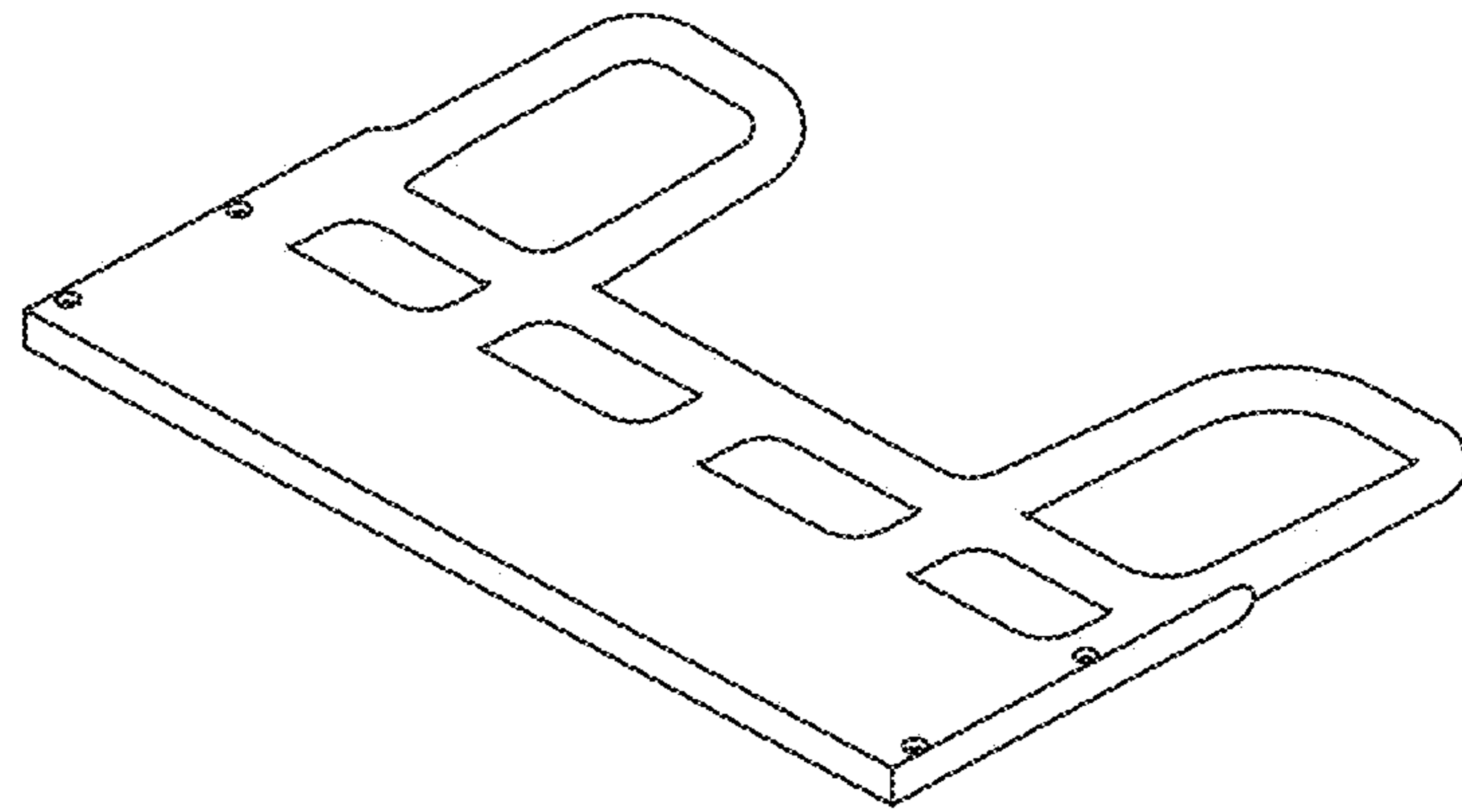


FIG. 2

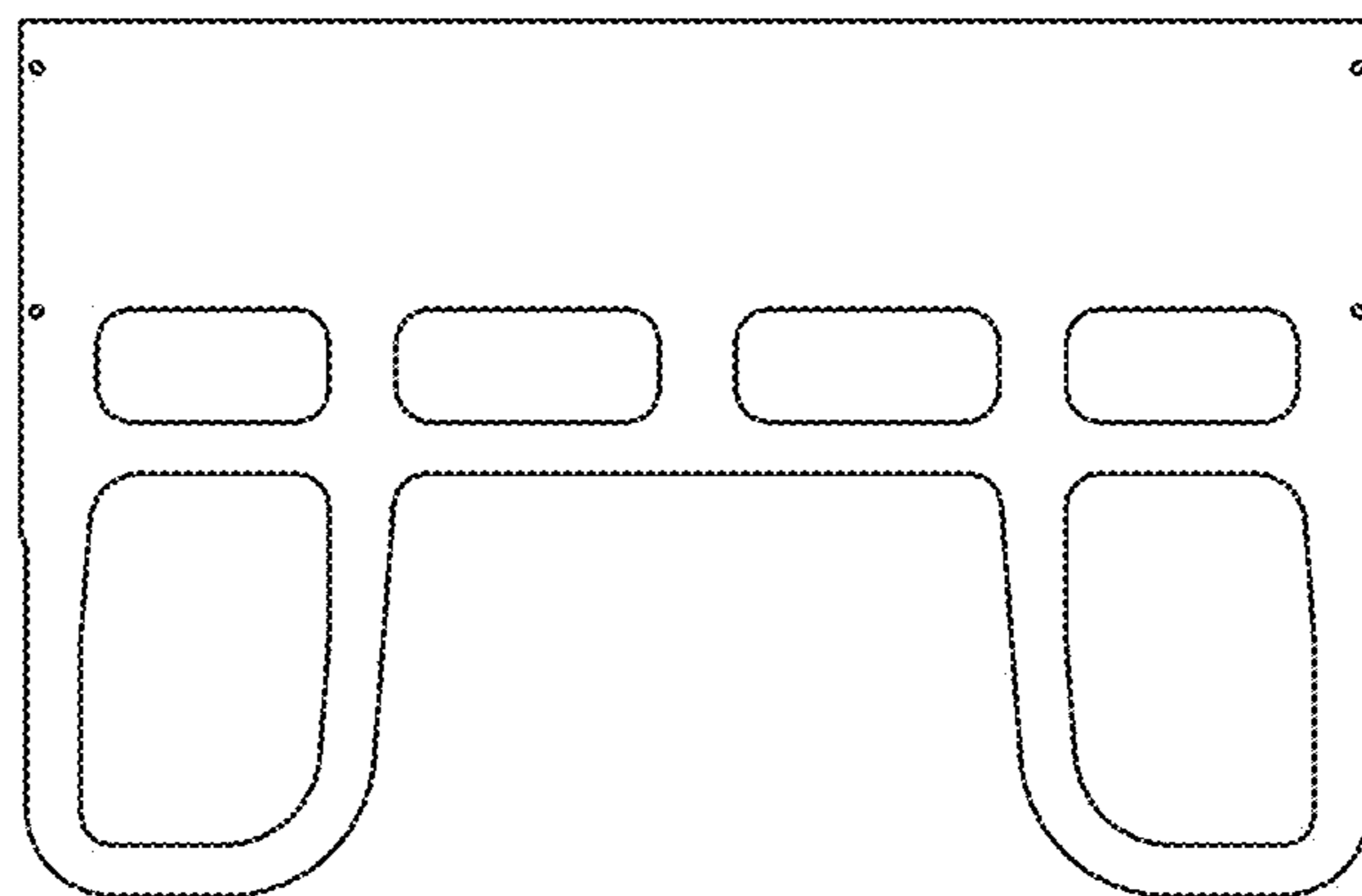


FIG. 3

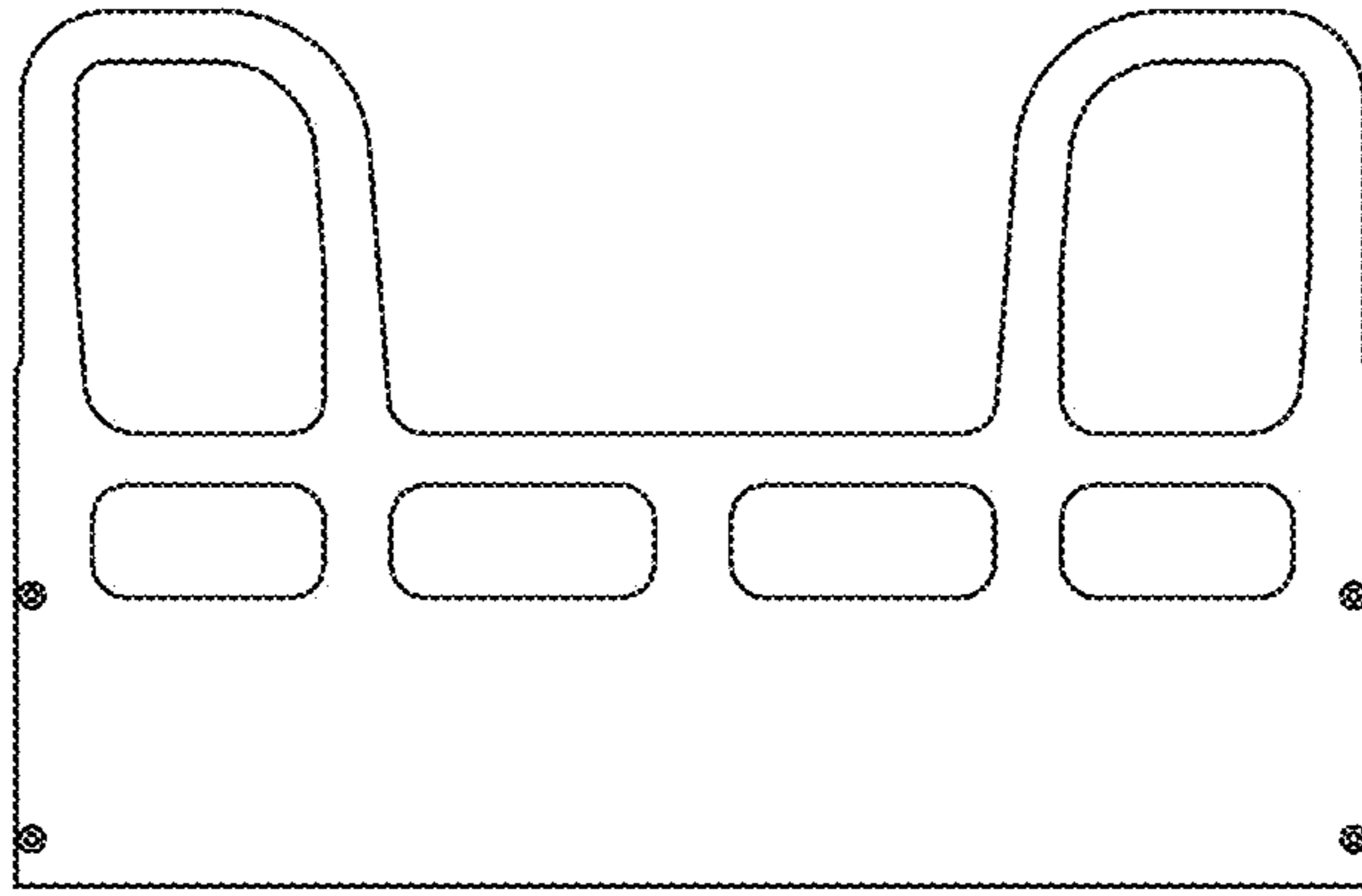


FIG. 4

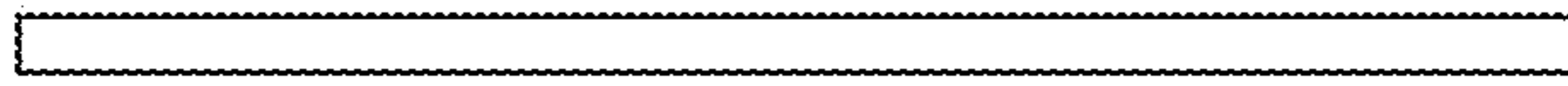


FIG. 5

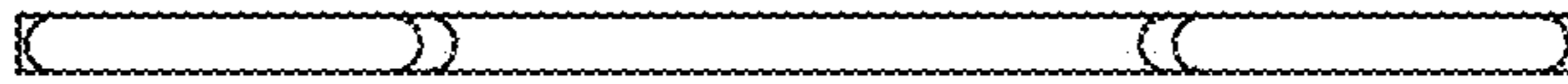


FIG. 6



FIG. 7

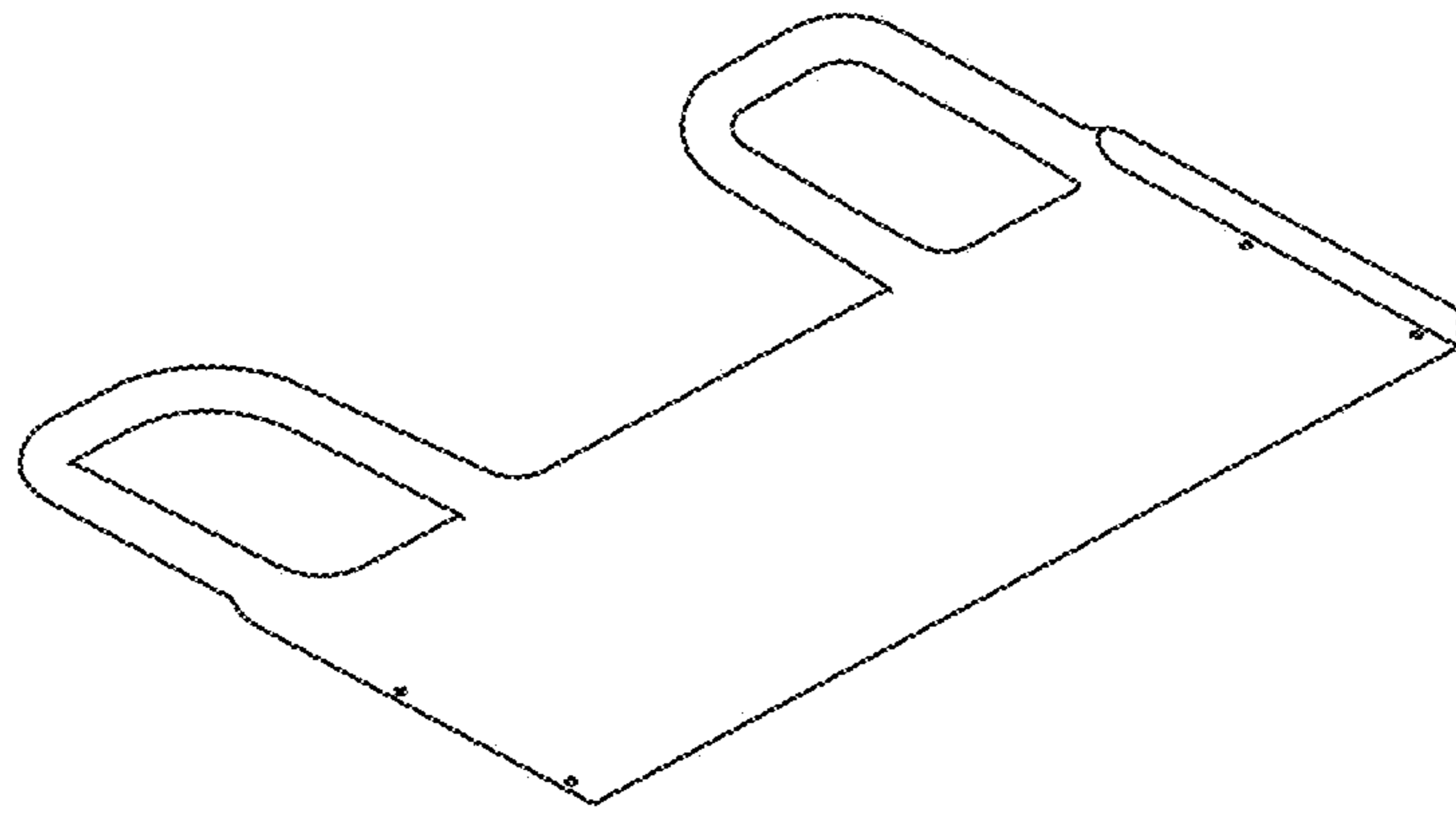


FIG. 8

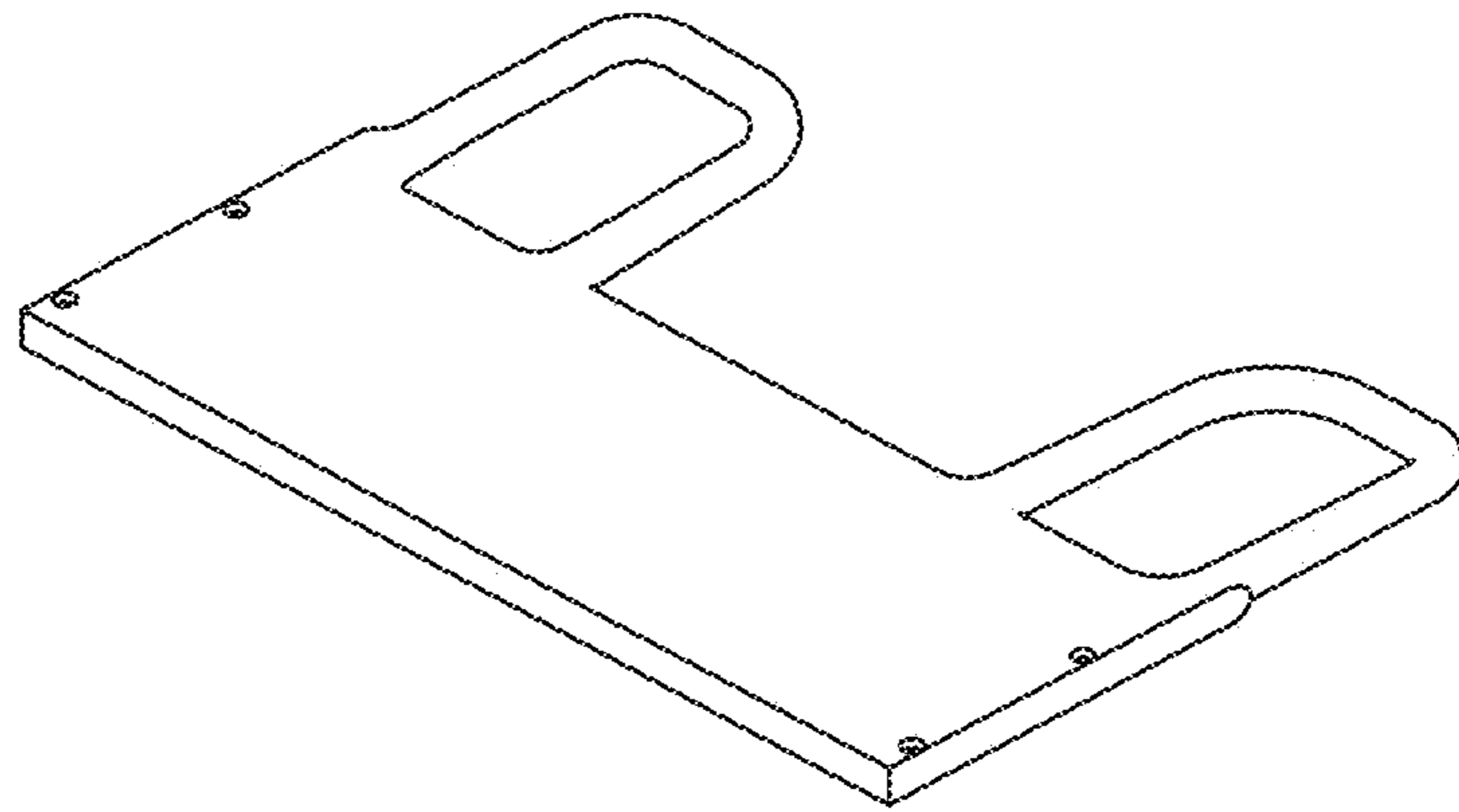


FIG. 9

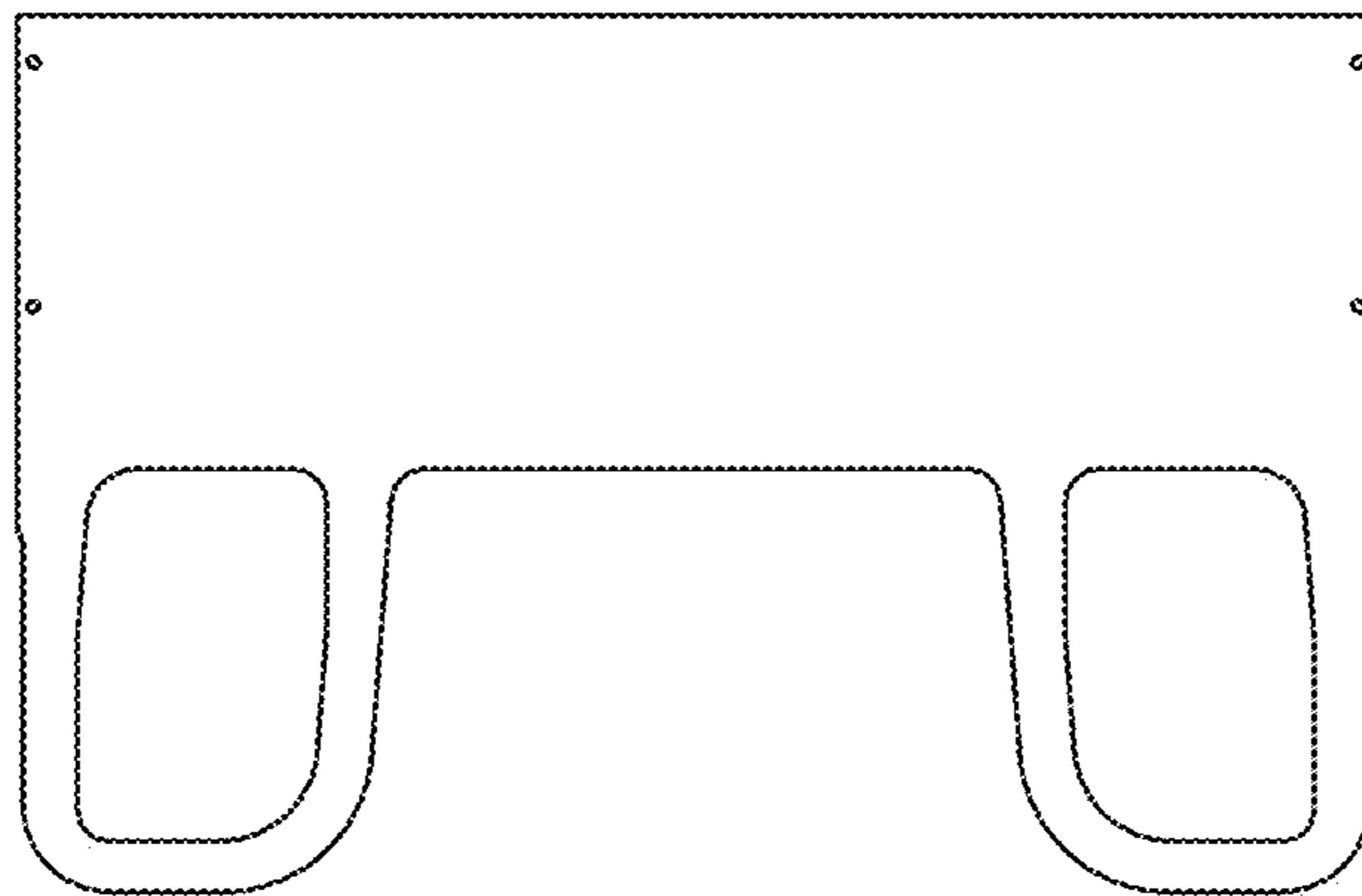


FIG. 10

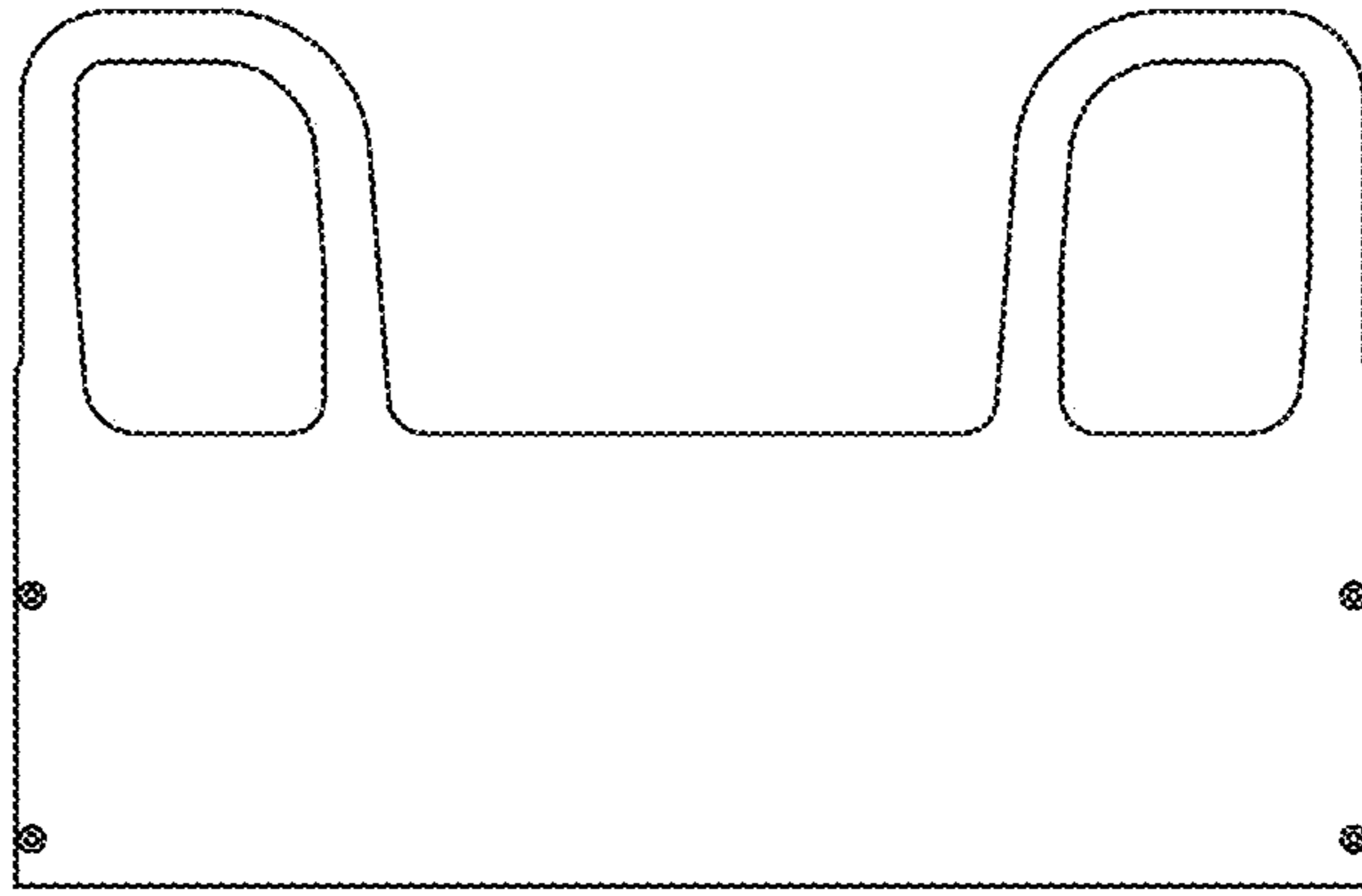


FIG. 11

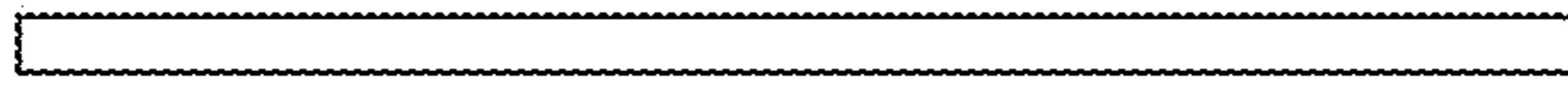


FIG. 12

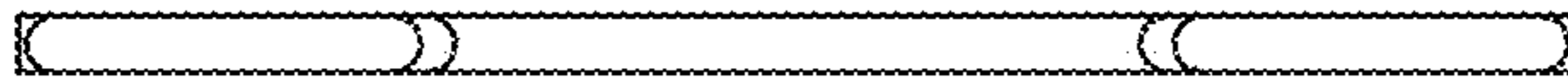


FIG. 13

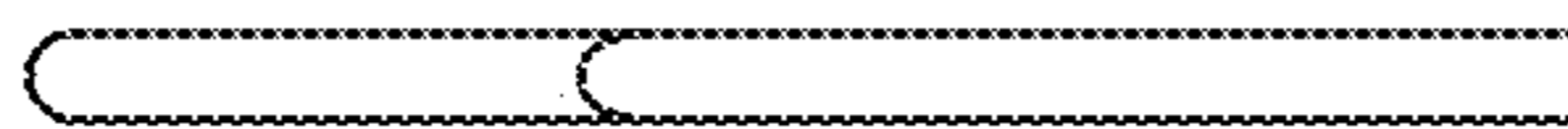


FIG. 14