



US00D891536S

(12) **United States Design Patent**
Fantino et al.

(10) **Patent No.:** **US D891,536 S**
(45) **Date of Patent:** **** Jul. 28, 2020**

(54) **TOY HAVING MOVEABLE TOP AND EXTENDIBLE LEGS**

(71) Applicant: **CICABOOM S.r.L.**, Genoa (IT)

(72) Inventors: **Fulvio Fantino**, Genoa (IT); **Elisabetta Insile**, Genoa (IT)

(73) Assignee: **CICABOOM S.R.L.**, Genoa (IT)

(**) Term: **15 Years**

(21) Appl. No.: **29/715,573**

(22) Filed: **Dec. 3, 2019**

(30) **Foreign Application Priority Data**

Aug. 15, 2019 (CN) 2019 3 04435862

(51) **LOC (12) Cl.** **21-01**

(52) **U.S. Cl.**
USPC **D21/584**; D21/579; D21/604

(58) **Field of Classification Search**
USPC D6/598; D11/158–159, 162;
D21/576–596, 598, 606–609, 615;
(Continued)

(56) **References Cited**

U.S. PATENT DOCUMENTS

D169,420 S * 4/1953 Campbell D21/585
D295,542 S * 5/1988 Matsuda D21/584
(Continued)

Primary Examiner — Sandra L Morris

(74) *Attorney, Agent, or Firm* — Mark Malek; Widerman Malek, PL

(57) **CLAIM**

The ornamental design for a toy having a moveable top and extendible legs, as shown and described.

DESCRIPTION

FIG. 1 is a top perspective view of a toy having a moveable top and extendible legs according to the present invention.

FIG. 2 is a bottom perspective view of the toy having a moveable top and extendible legs illustrated in FIG. 1.

FIG. 3 is a side elevation view of the toy having a moveable top and extendible legs illustrated in FIG. 1.

FIG. 4 is another side elevation view of the toy having a moveable top and extendible legs illustrated in FIG. 1.

FIG. 5 is a top plan view of the toy having a moveable top and extendible legs illustrated in FIG. 1.

FIG. 6 is a bottom plan view of the toy having a moveable top and extendible legs illustrated in FIG. 1.

FIG. 7 is a front elevation view of the toy having a moveable top and extendible legs illustrated in FIG. 1.

FIG. 8 is a rear elevation view of the toy having a moveable top and extendible legs illustrated in FIG. 1.

FIG. 9 is a top perspective view of the toy having a moveable top and extendible legs illustrated in FIG. 1 and showing the top in a folded position and the legs in an extended position.

FIG. 10 is a bottom perspective view of the toy having a moveable top and extendible legs illustrated in FIG. 1 and showing the legs in an extended position.

FIG. 11 is a top plan view of the toy having a moveable top and extendible legs illustrated in FIG. 1 and showing the top in a folded position and the legs in an extended position.

FIG. 12 is a bottom plan view of the toy having a moveable top and extendible legs illustrated in FIG. 1 and showing the top in a folded position and the legs in an extended position.

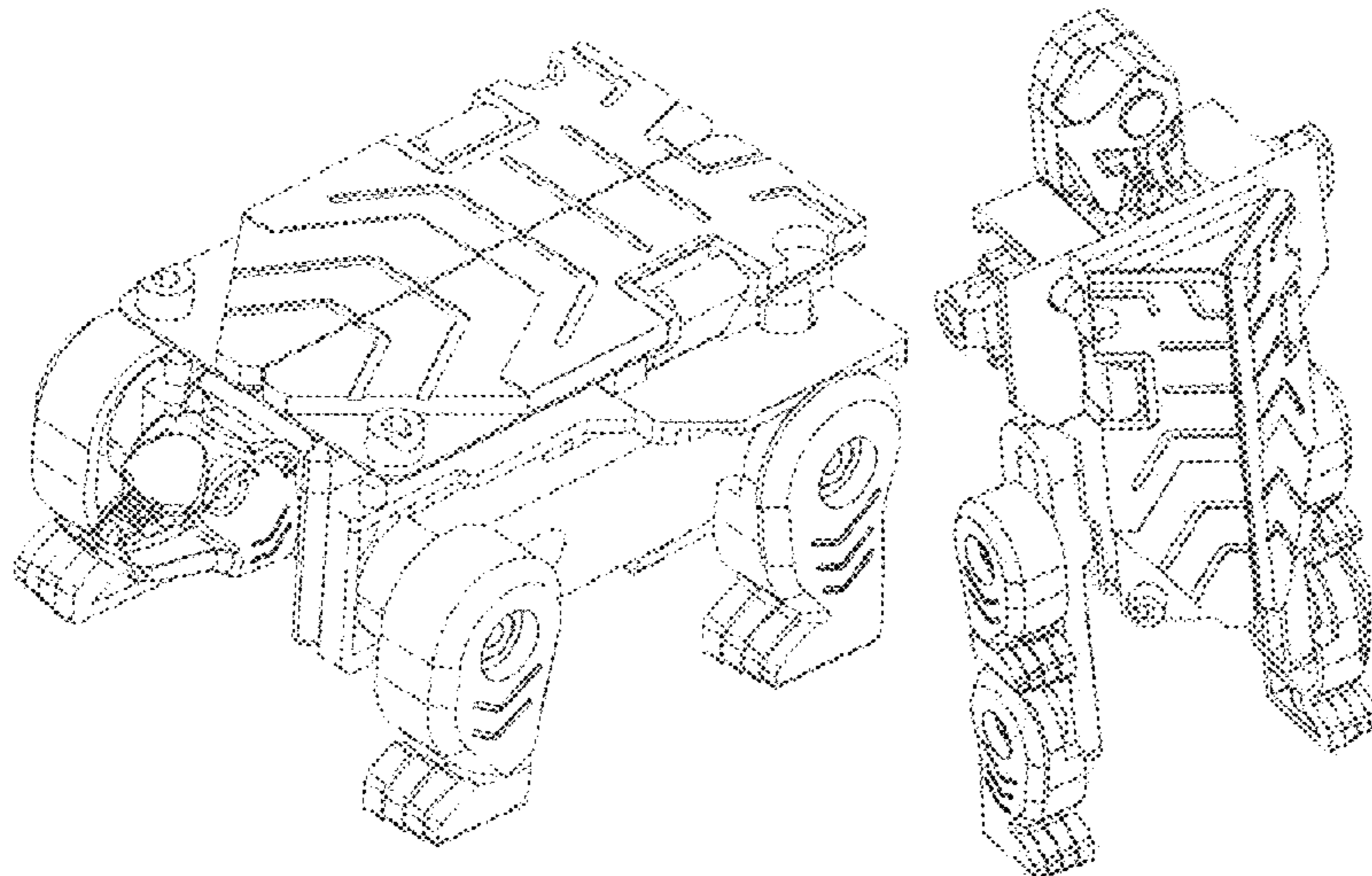
FIG. 13 is a side elevation view of the toy having a moveable top and extendible legs illustrated in FIG. 1 and showing the top in a folded position and the legs in an extended position.

FIG. 14 is another side elevation view of the toy having a moveable top and extendible legs illustrated in FIG. 1 and showing the top in a folded position and the legs in an extended position.

FIG. 15 is a front elevation view of the toy having a moveable top and extendible legs illustrated in FIG. 1 and showing the top in a folded position and the legs in an extended position; and,

FIG. 16 is a rear elevation view of the toy having a moveable top and extendible legs illustrated in FIG. 1 and showing the top in a folded position and the legs in an extended position.

1 Claim, 16 Drawing Sheets



(58) **Field of Classification Search**

USPC 446/99, 268, 368-369, 376, 428, 487;
180/8.6; D30/160
CPC ... A63H 3/00; A63H 3/02; A63H 3/04; A63H
3/16; A63H 3/28; A63H 3/36; A63H
7/06; A63H 11/00; A63H 11/10; A63H
11/20; A63H 11/205; A63H 13/00; A63H
33/04; A63H 33/08; A63H 33/042; A63H
23/10; A63H 5/00

See application file for complete search history.

(56) **References Cited**

U.S. PATENT DOCUMENTS

D298,559 S * 11/1988 Kitamura D21/584
D298,561 S * 11/1988 Kitamura D21/584
4,789,369 A * 12/1988 Lyman A63H 33/042
446/101
D306,621 S * 3/1990 Doi D21/579
D316,431 S * 4/1991 Stephensen D21/604
D356,612 S * 3/1995 Mayuzumi A63H 33/042
D21/604
D639,354 S * 6/2011 Weeks D21/579
D694,840 S * 12/2013 Mimlitch, III D21/578
D700,251 S * 2/2014 Mimlitch, III D21/578
D837,309 S * 1/2019 Weeks D21/604

* cited by examiner

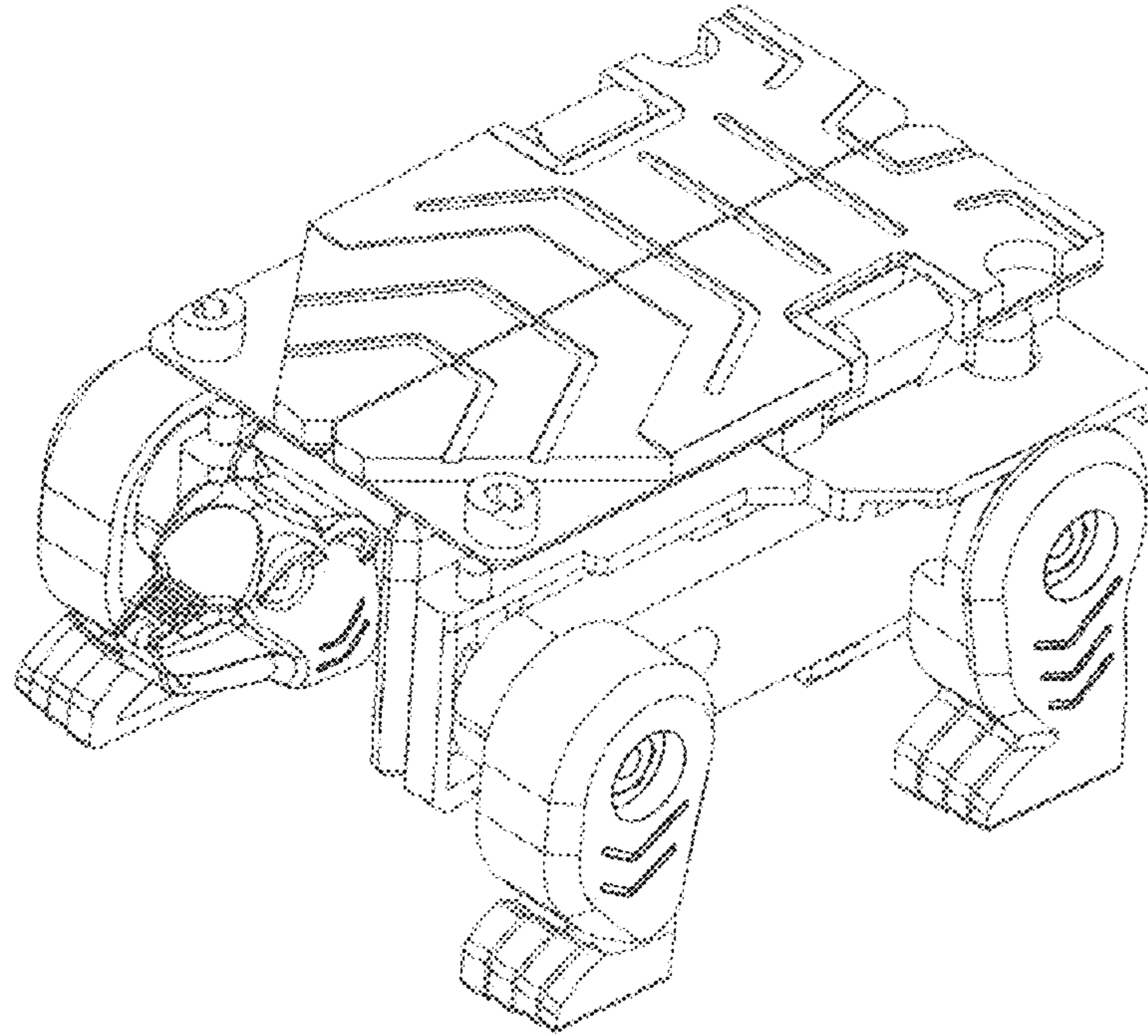


FIG. 1

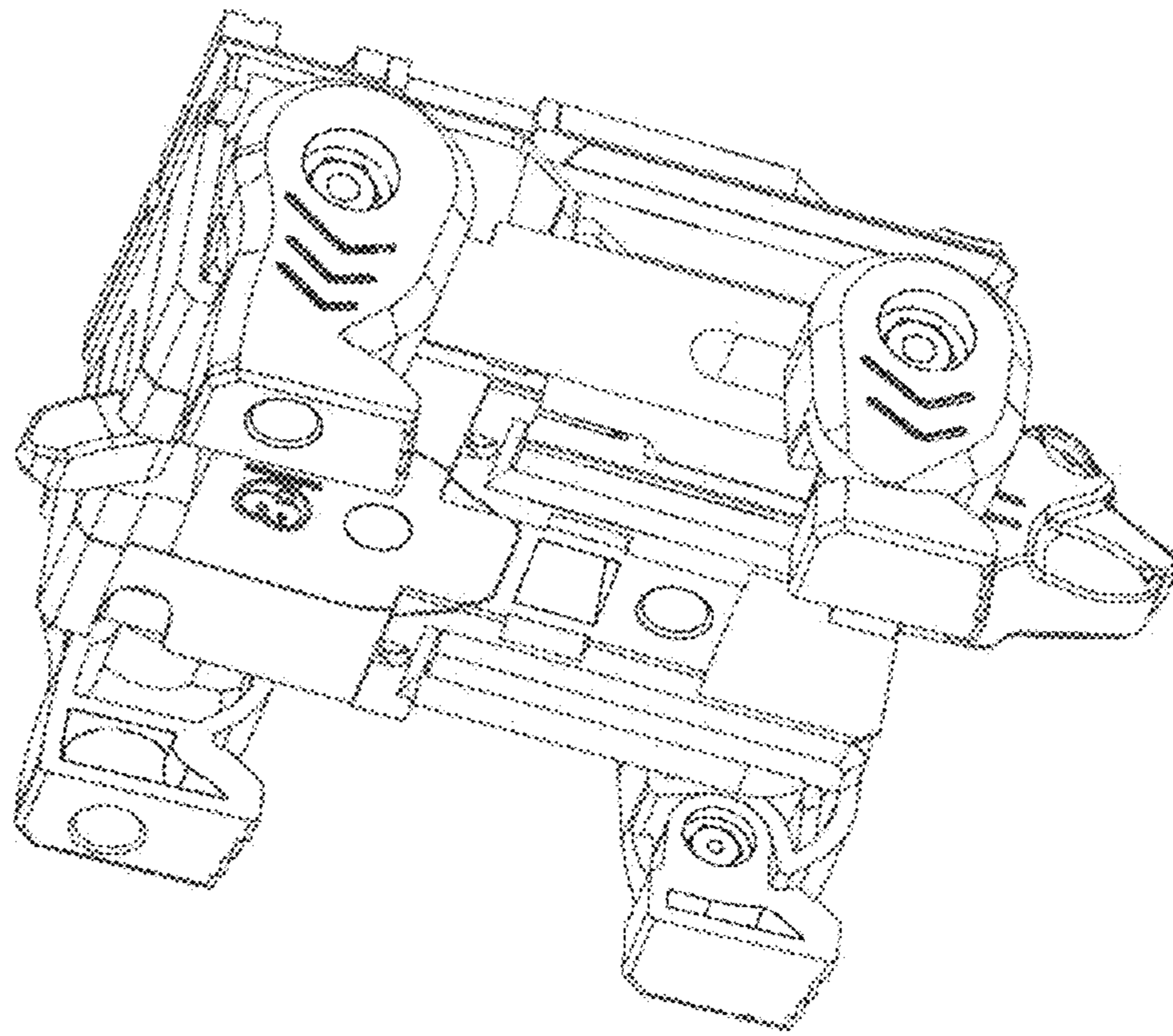


FIG. 2

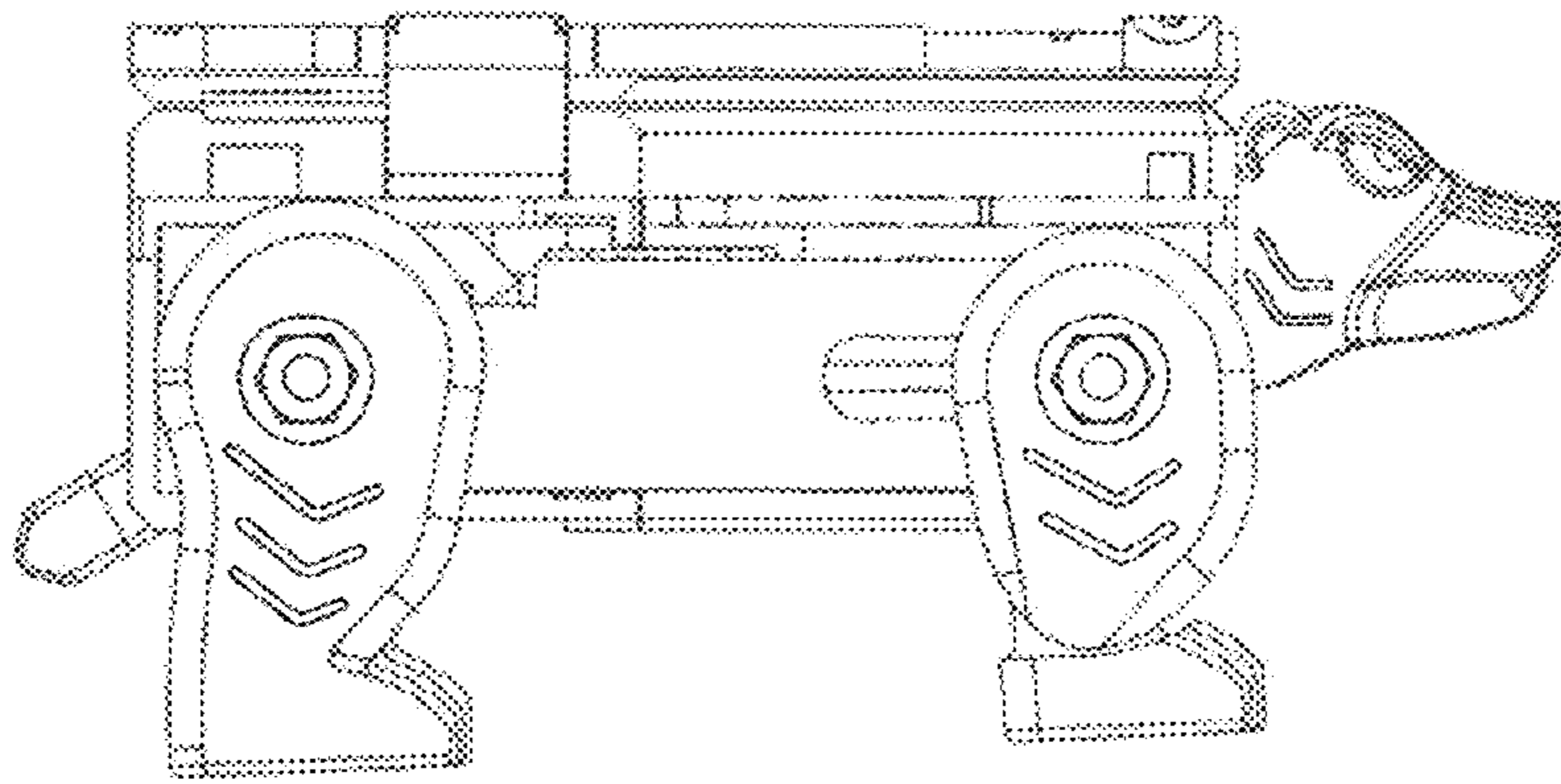


FIG. 3

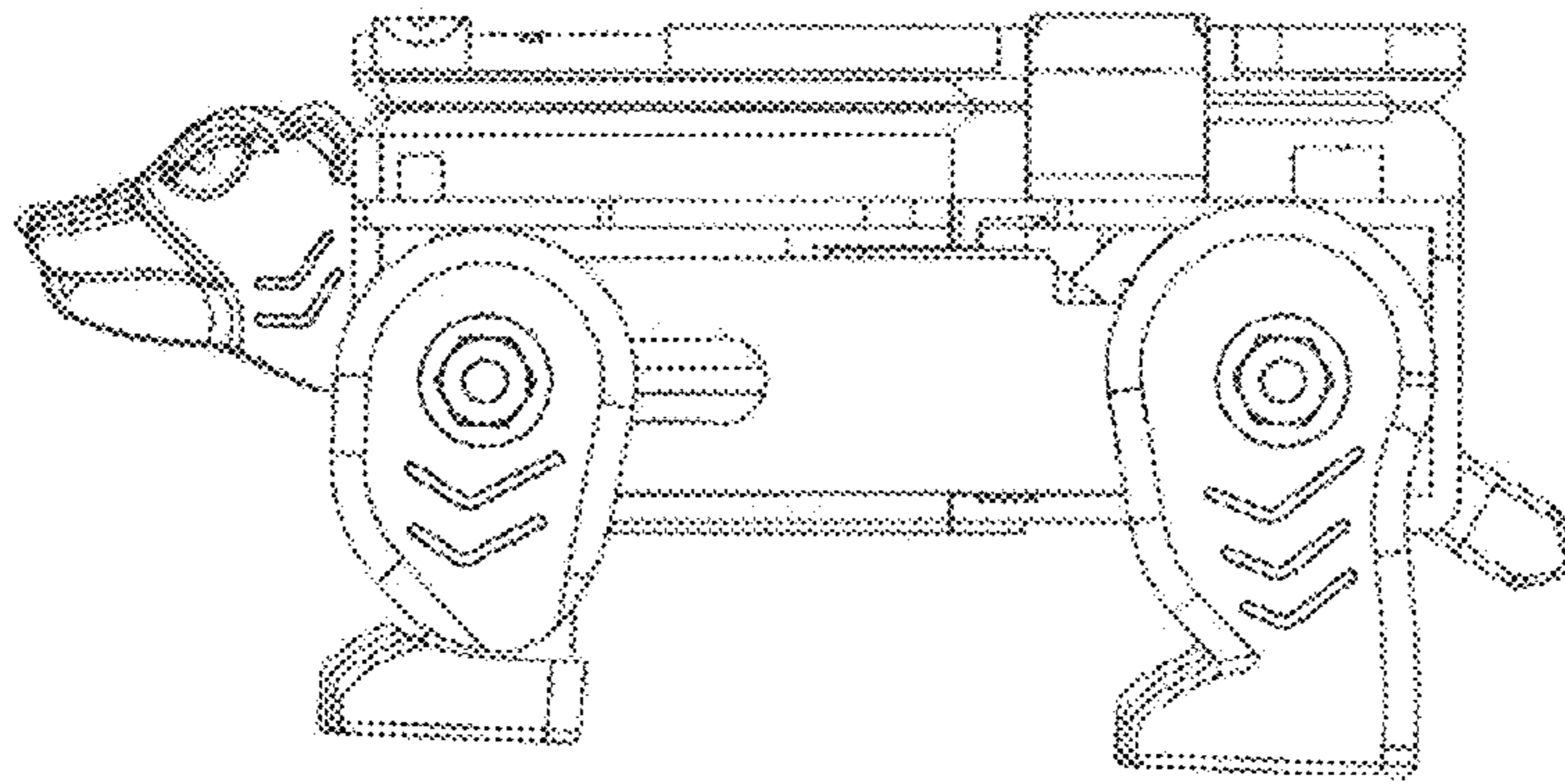


FIG. 4

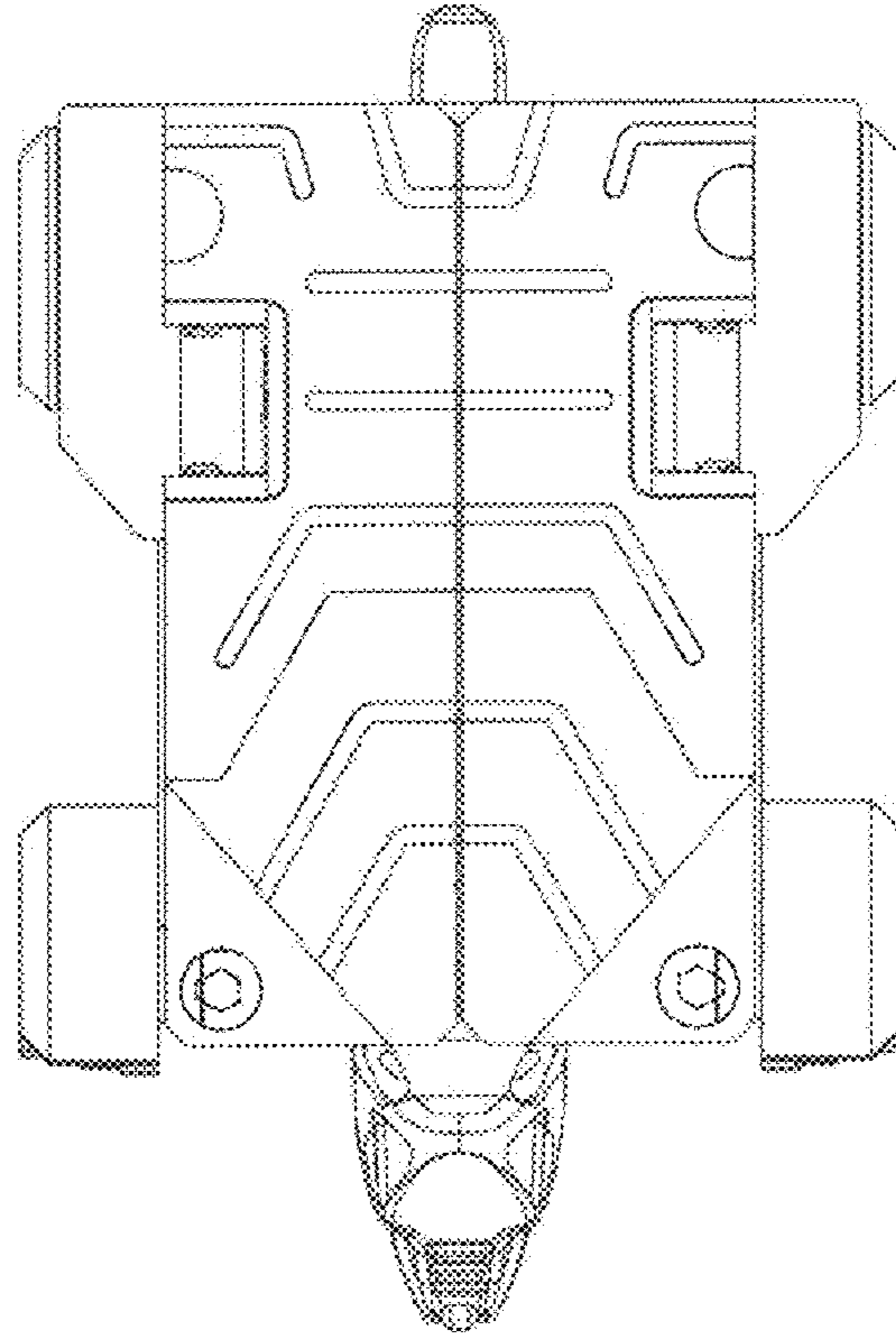


FIG. 5

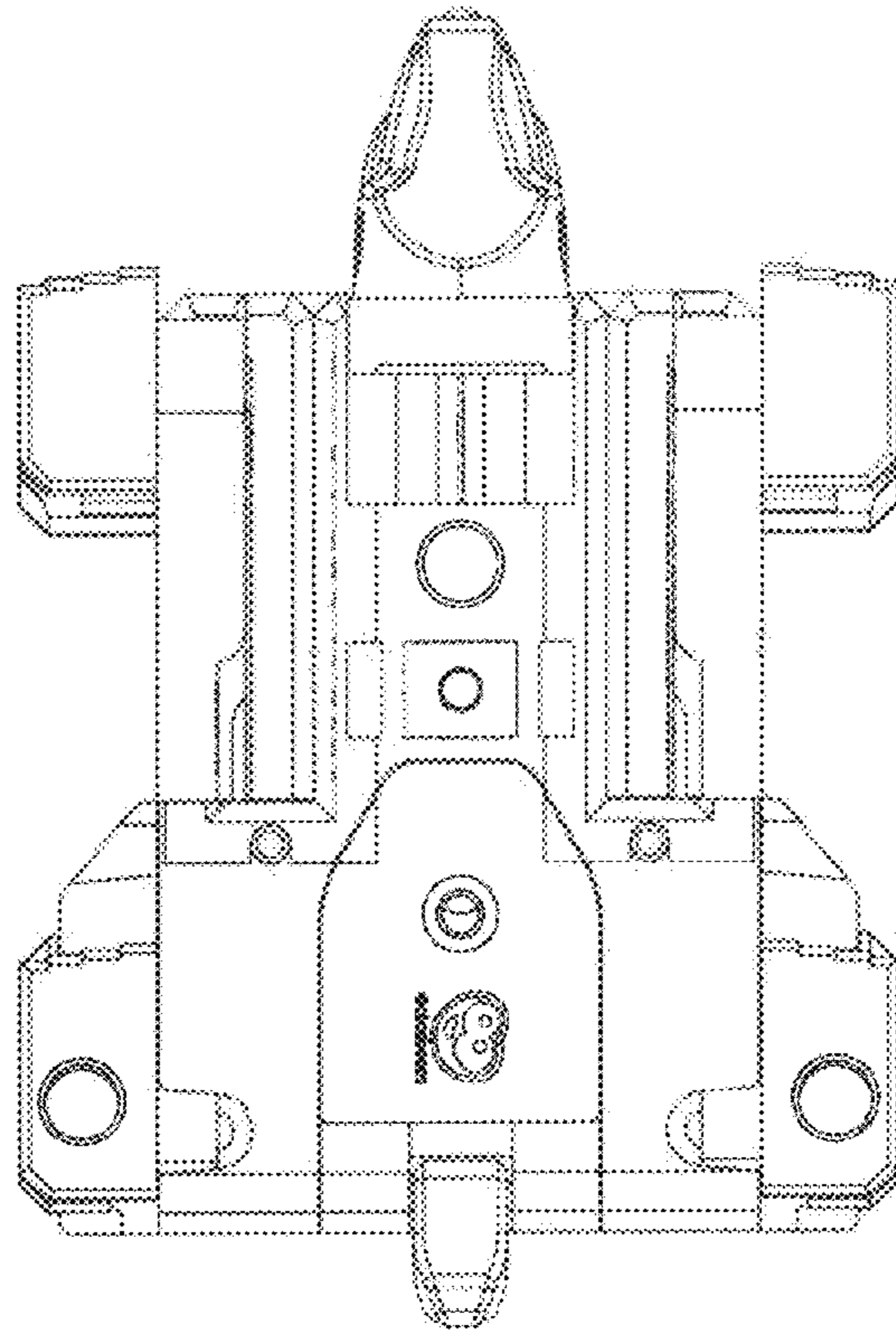


FIG. 6

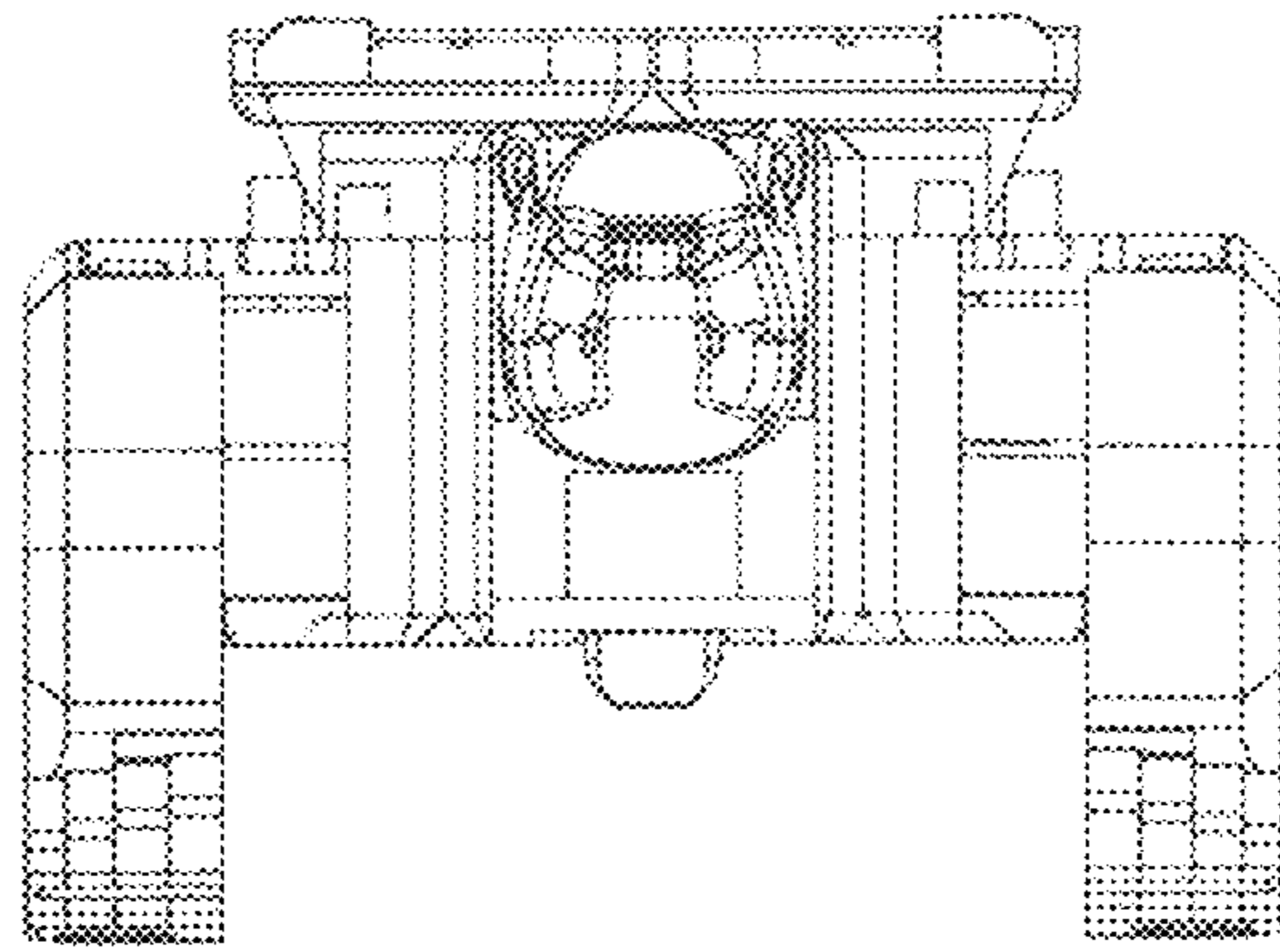


FIG. 7

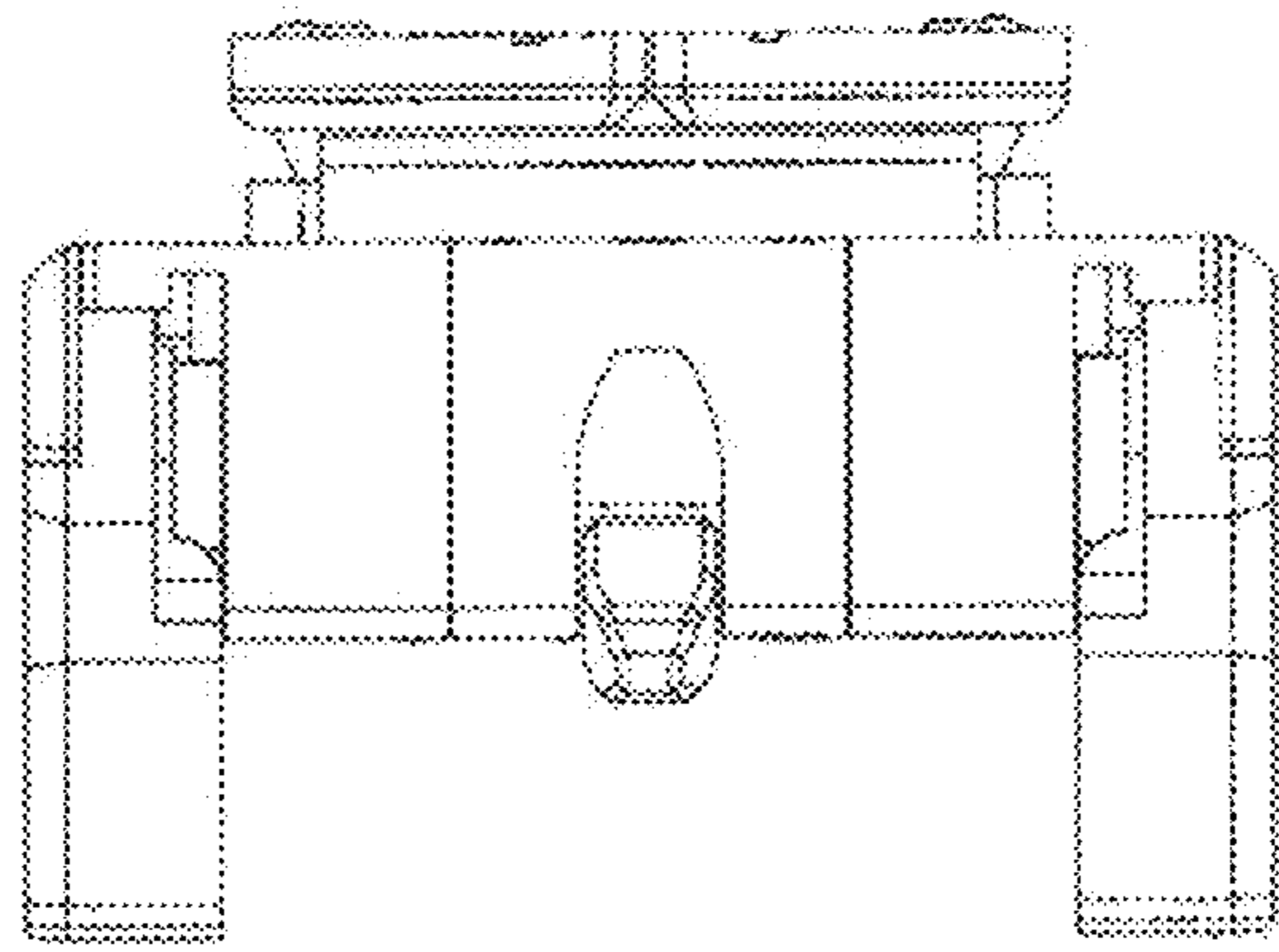


FIG. 8

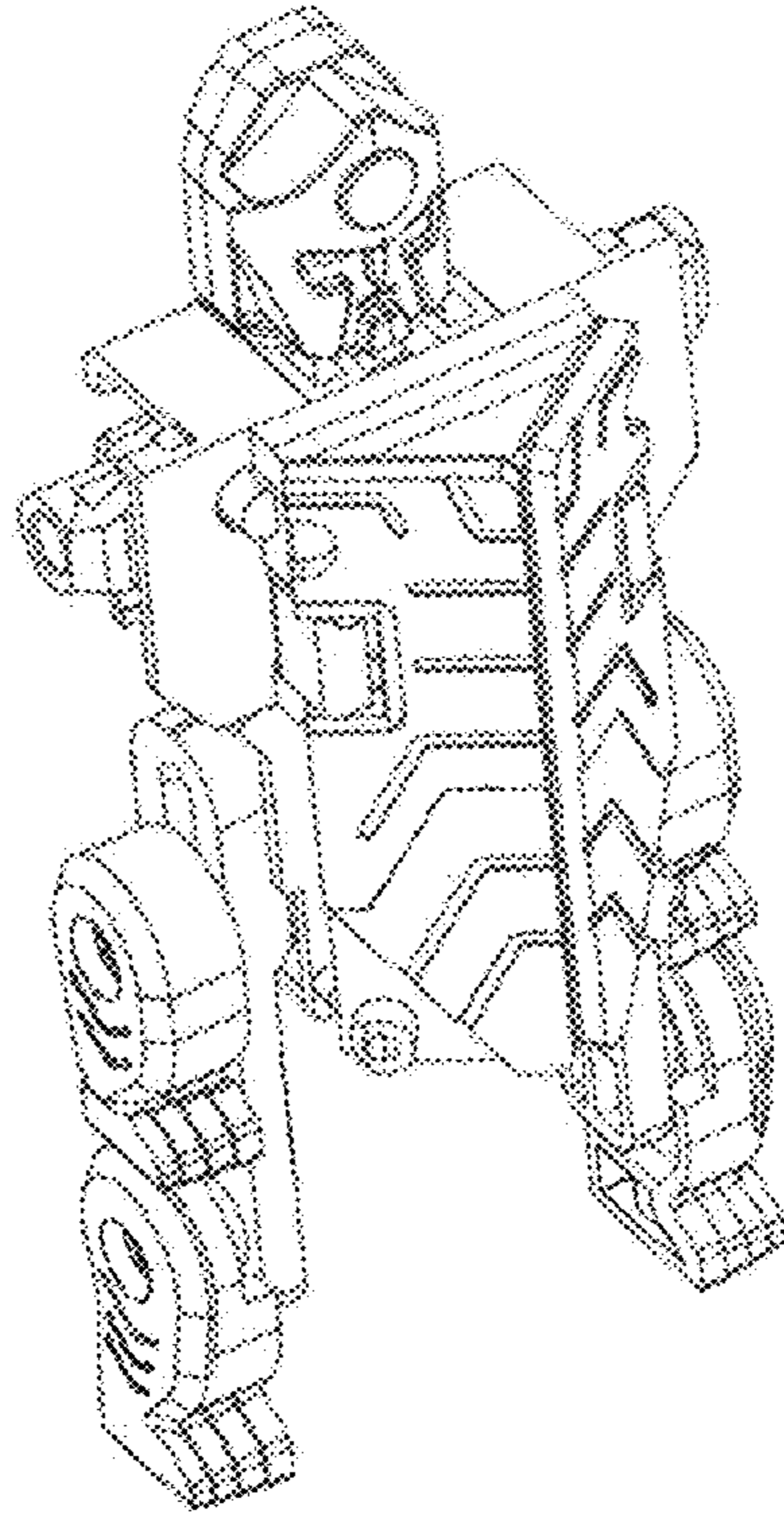


FIG. 9

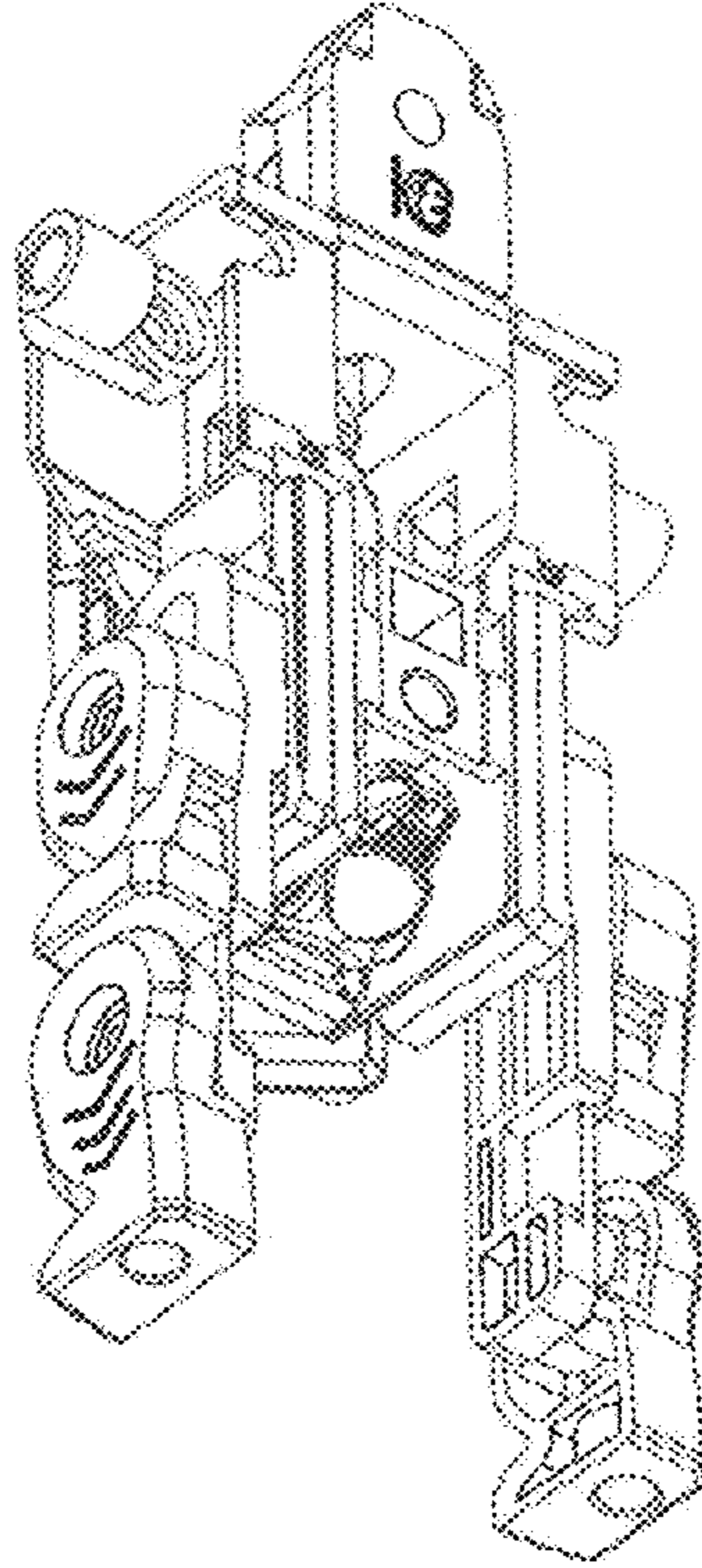


FIG. 10

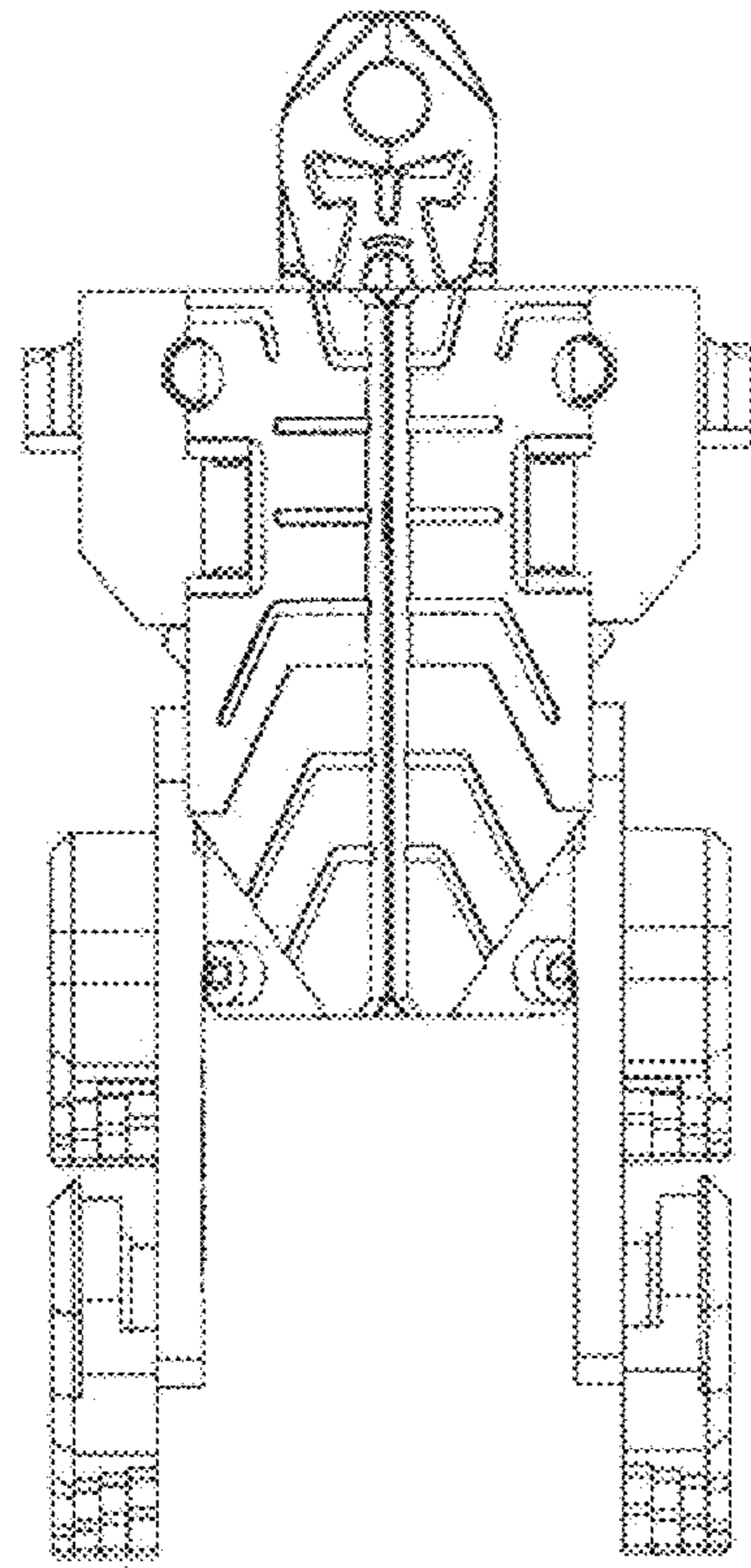


FIG. 11

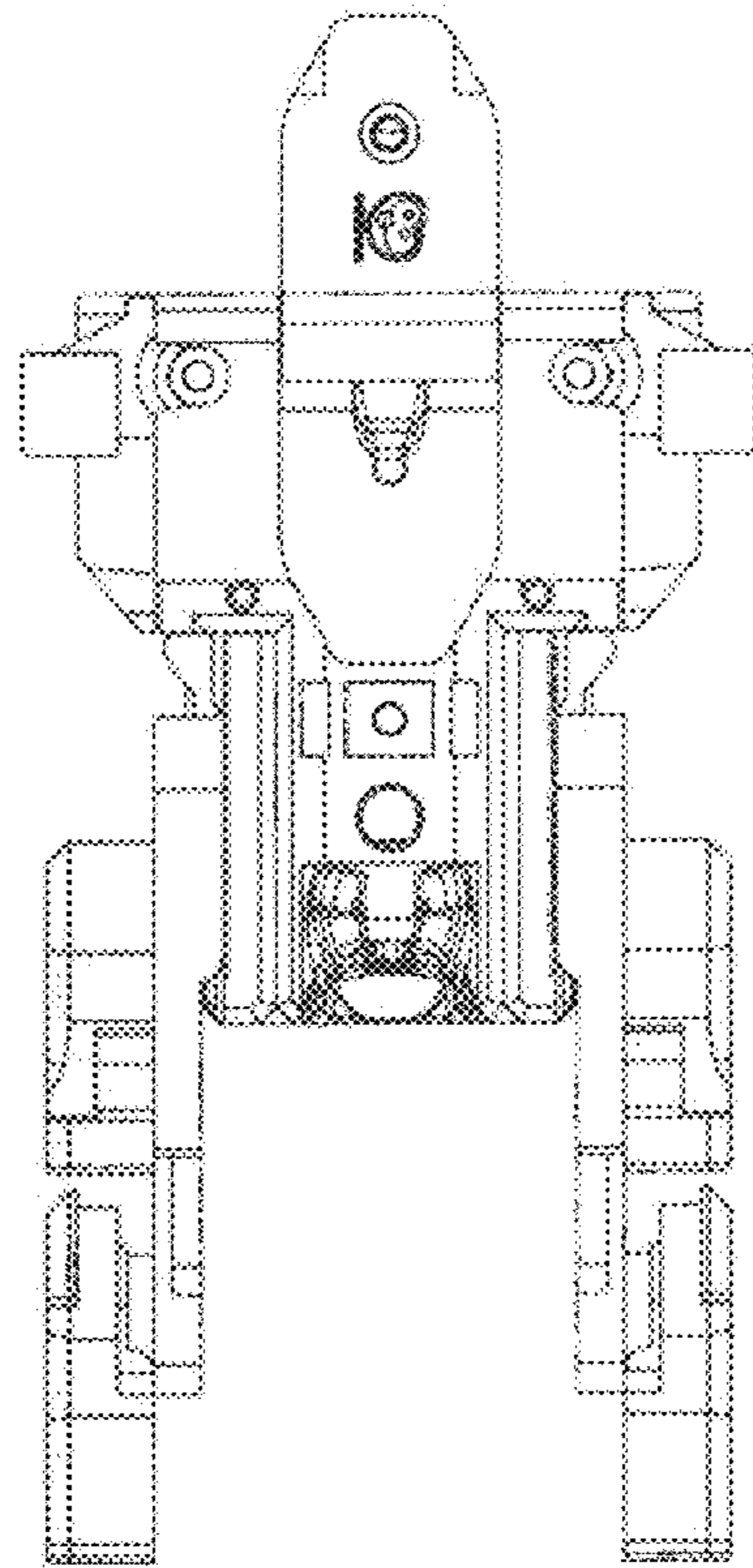


FIG. 12

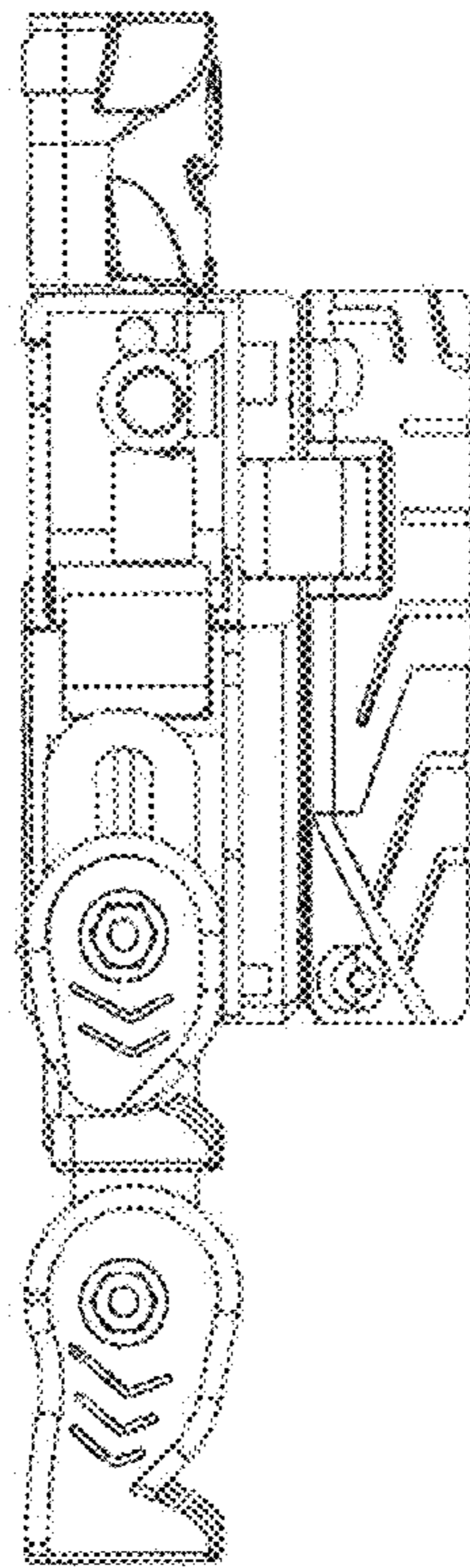


FIG. 13

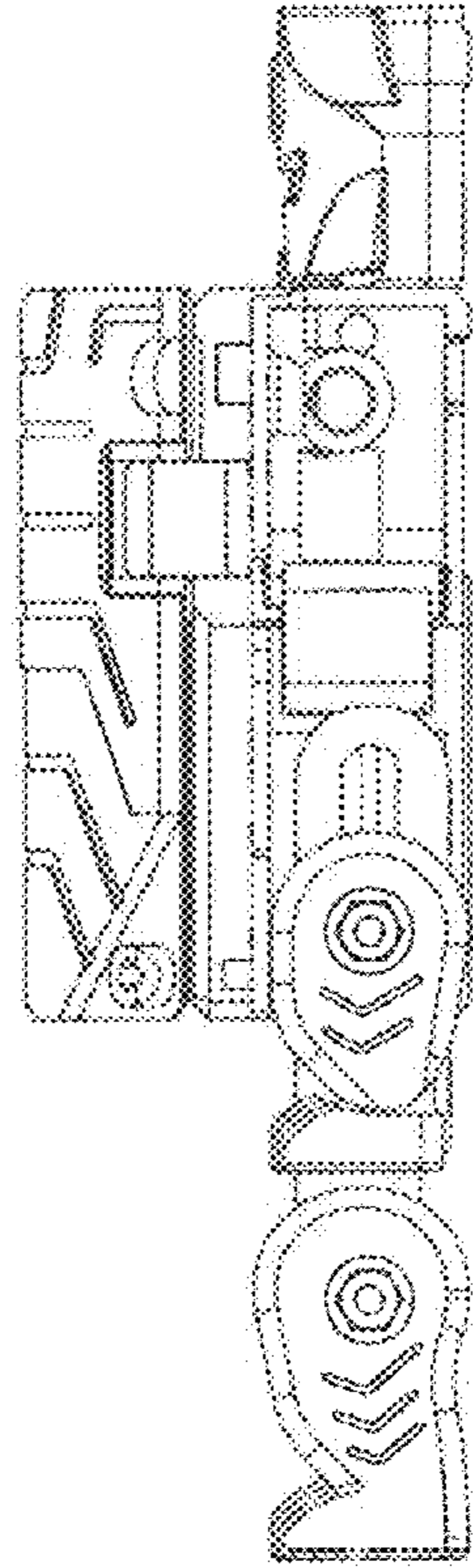


FIG. 14

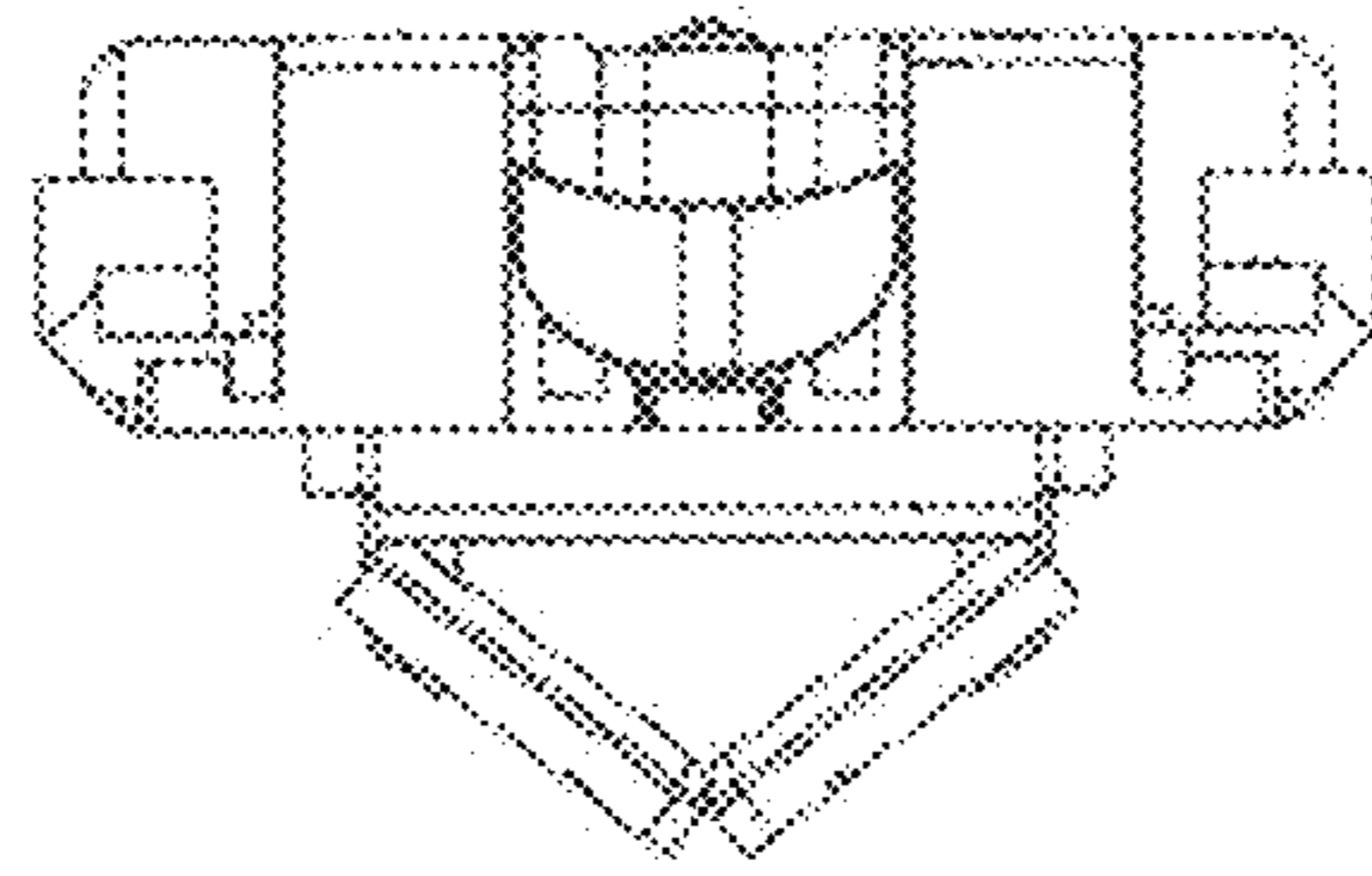


FIG. 15

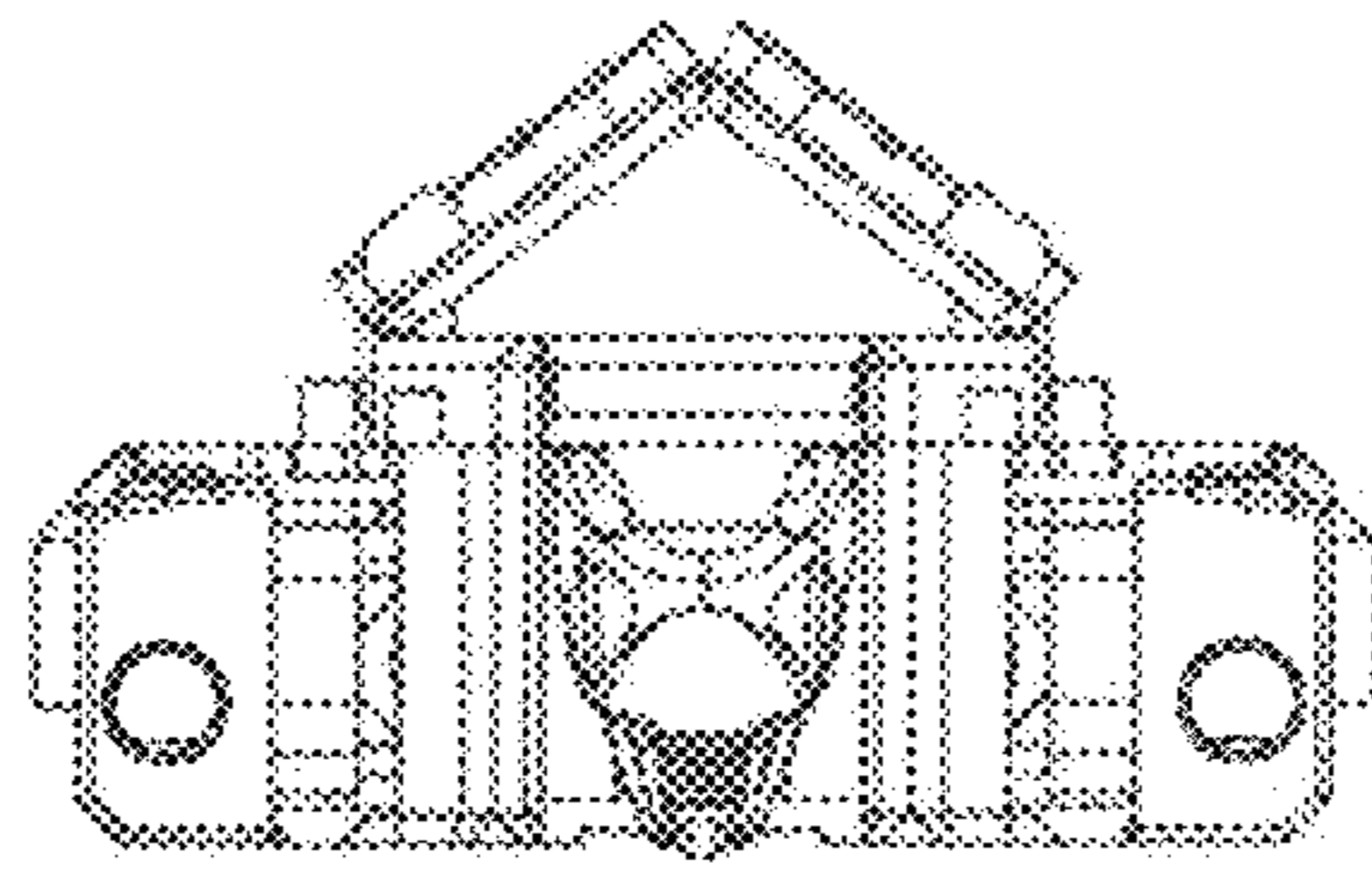


FIG. 16