



US00D891534S

(12) **United States Design Patent**
Guo

(10) **Patent No.:** **US D891,534 S**

(45) **Date of Patent:** **** Jul. 28, 2020**

(54) **SOLAR-POWERED TOY ROBOT**

(71) Applicant: **Zixian Guo**, Lufeng (CN)

(72) Inventor: **Zixian Guo**, Lufeng (CN)

(**) Term: **15 Years**

(21) Appl. No.: **29/720,449**

(22) Filed: **Jan. 13, 2020**

(51) **LOC (12) Cl.** **21-01**

(52) **U.S. Cl.**
USPC **D21/578**

(58) **Field of Classification Search**
USPC D21/578-586; D19/59; D15/199
CPC . B25J 9/00; B25J 9/0003; B25J 9/0006; B25J
13/00; B25J 5/00; B25J 5/007
See application file for complete search history.

D713,477 S * 9/2014 Lee D15/199
D806,183 S 12/2017 Belker et al.
D822,124 S 7/2018 Bei et al.
D842,353 S 3/2019 Lee et al.
D857,773 S 8/2019 Muraishi et al.

FOREIGN PATENT DOCUMENTS

EM 0002056994 6/2012

* cited by examiner

Primary Examiner — Zenia I Bennett

(74) *Attorney, Agent, or Firm* — Law Offices of Steven W. Weinrieb

(57) **CLAIM**

The ornamental design for a solar-powered toy robot, as shown and described.

DESCRIPTION

FIG. 1 is a front, right side, top perspective view of a solar-powered toy robot showing my new design; FIG. 2 is a rear, left side, bottom perspective view thereof; FIG. 3 is a front elevational view thereof; FIG. 4 is a rear elevational view thereof; FIG. 5 is a left side elevational view thereof; FIG. 6 is a right side elevational view thereof; FIG. 7 is a top plan view thereof; and, FIG. 8 is a bottom plan view thereof.

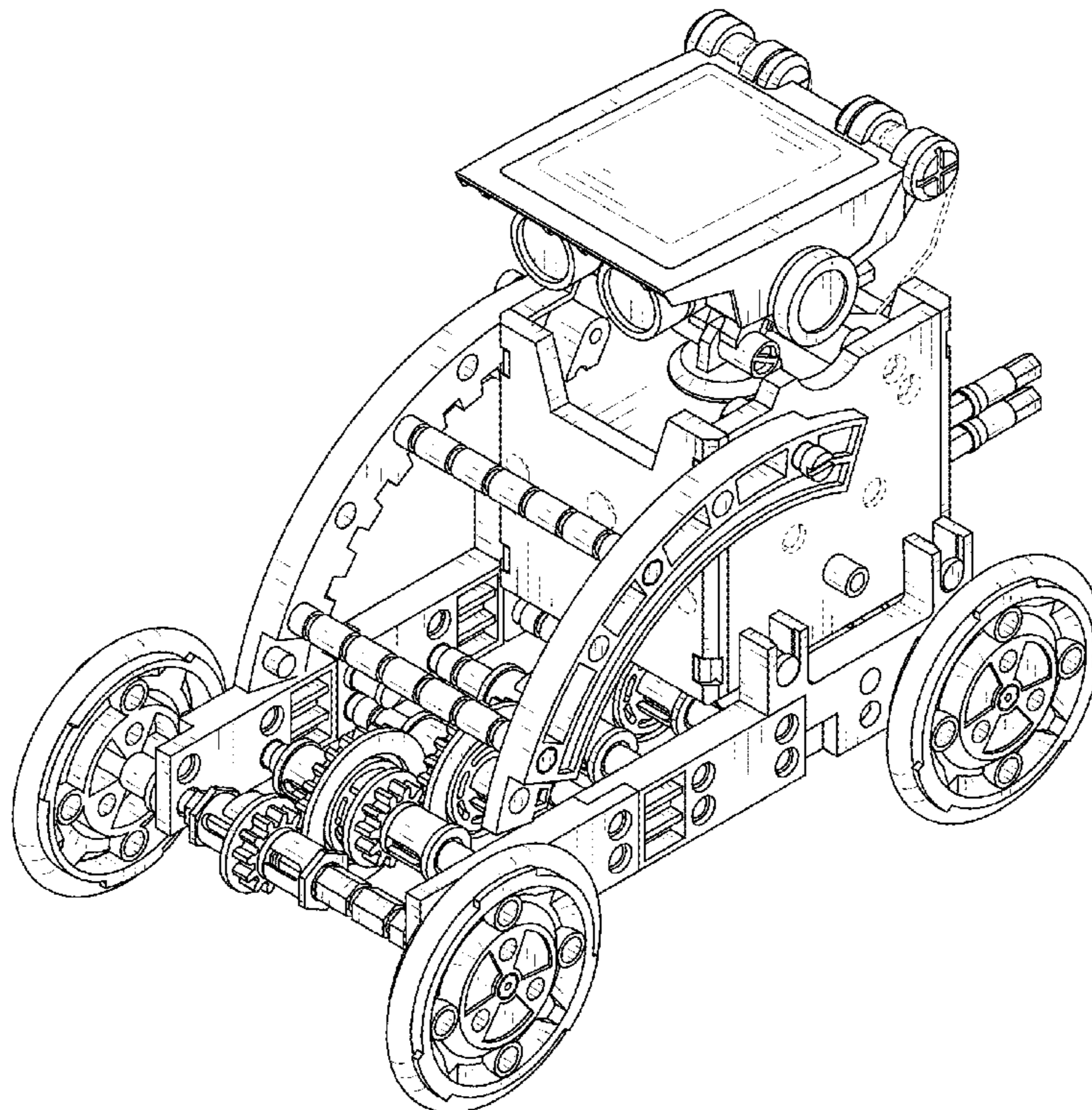
The broken lines depict portions of the solar-powered toy robot that form no part of the claimed design.

1 Claim, 8 Drawing Sheets

(56) **References Cited**

U.S. PATENT DOCUMENTS

D279,591 S 7/1985 Ogawa
D279,592 S 7/1985 Ogawa
D279,916 S 7/1985 Obara
D283,717 S 5/1986 Obara
D298,766 S * 11/1988 Tanno D21/578
D324,892 S 3/1992 Kwan
6,604,021 B2 * 8/2003 Imai G06N 3/008
318/568.11
D622,786 S * 8/2010 Lee D21/578
D681,134 S * 4/2013 Lee D15/199
D711,479 S * 8/2014 Lee D15/199
D711,480 S 8/2014 Lee
D712,984 S * 9/2014 Lee D15/199



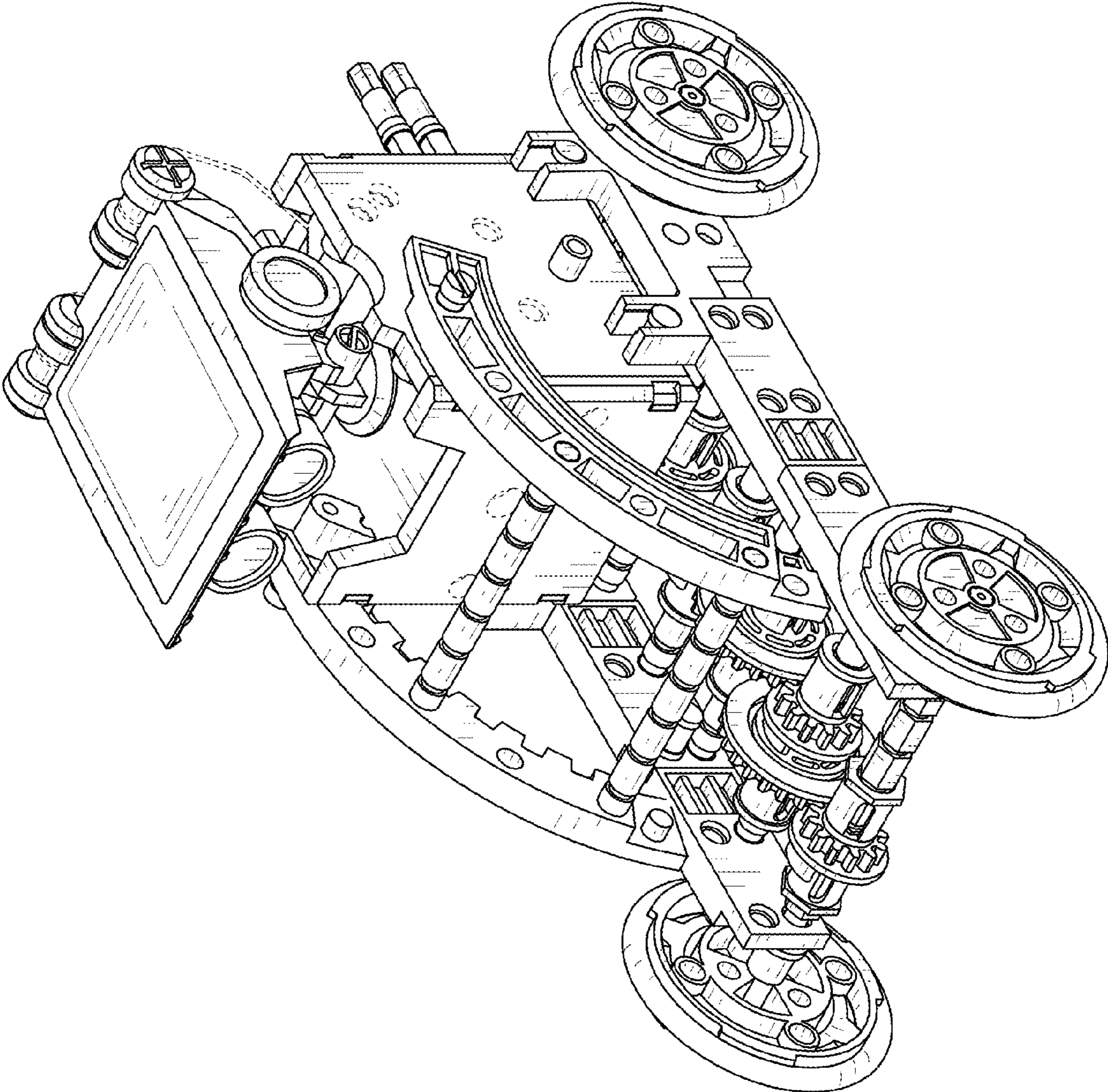


FIG. 1

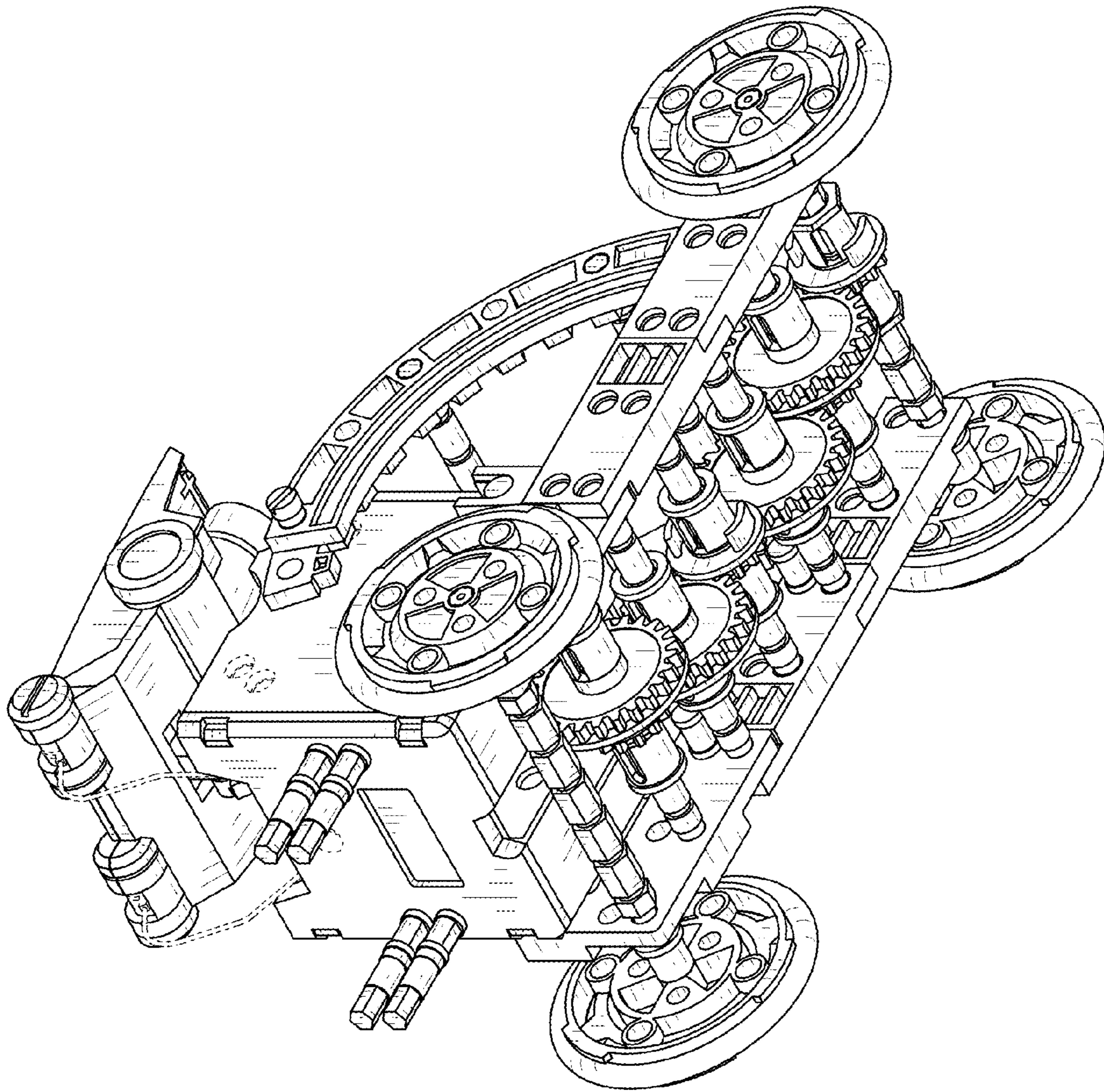


FIG. 2

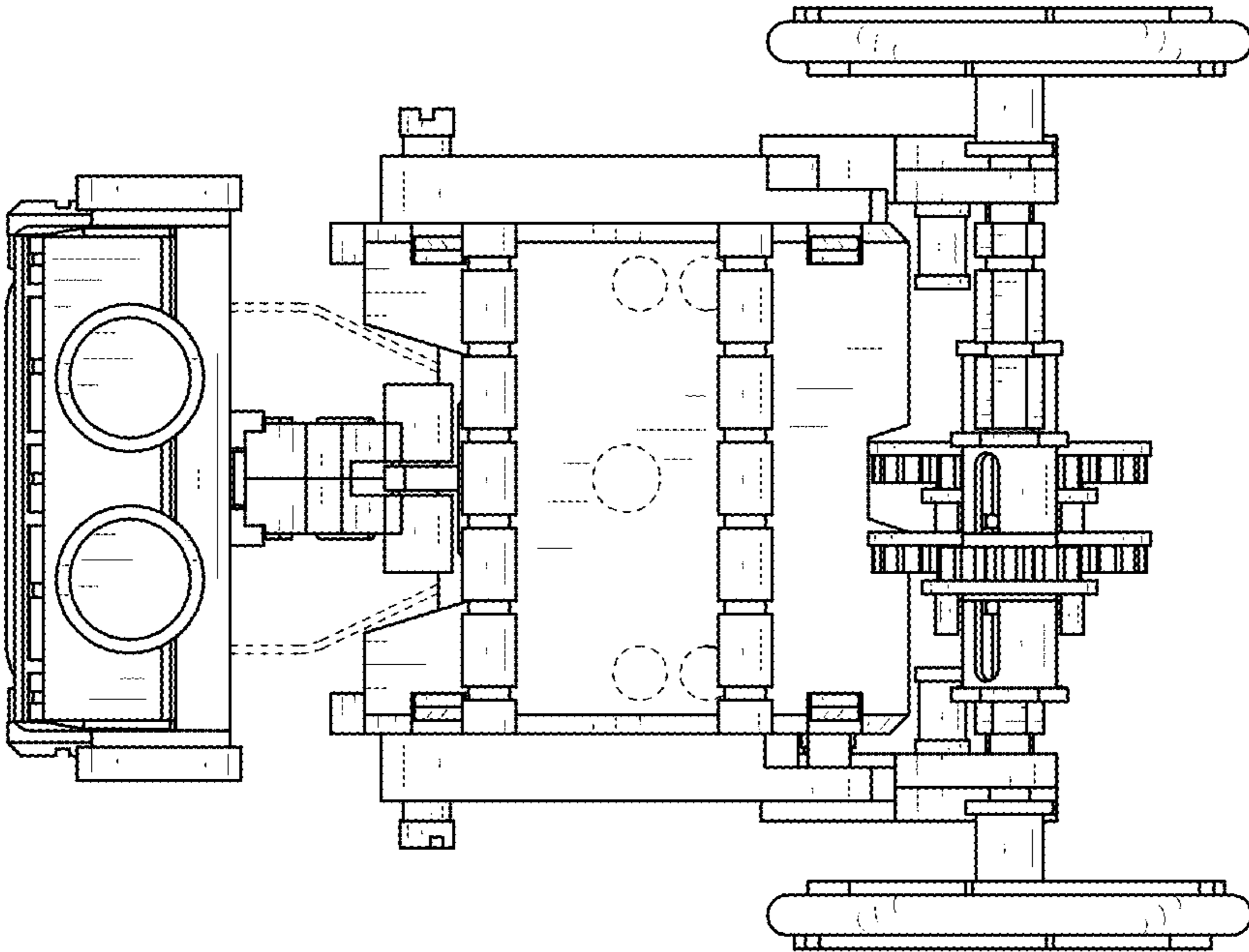


FIG. 3

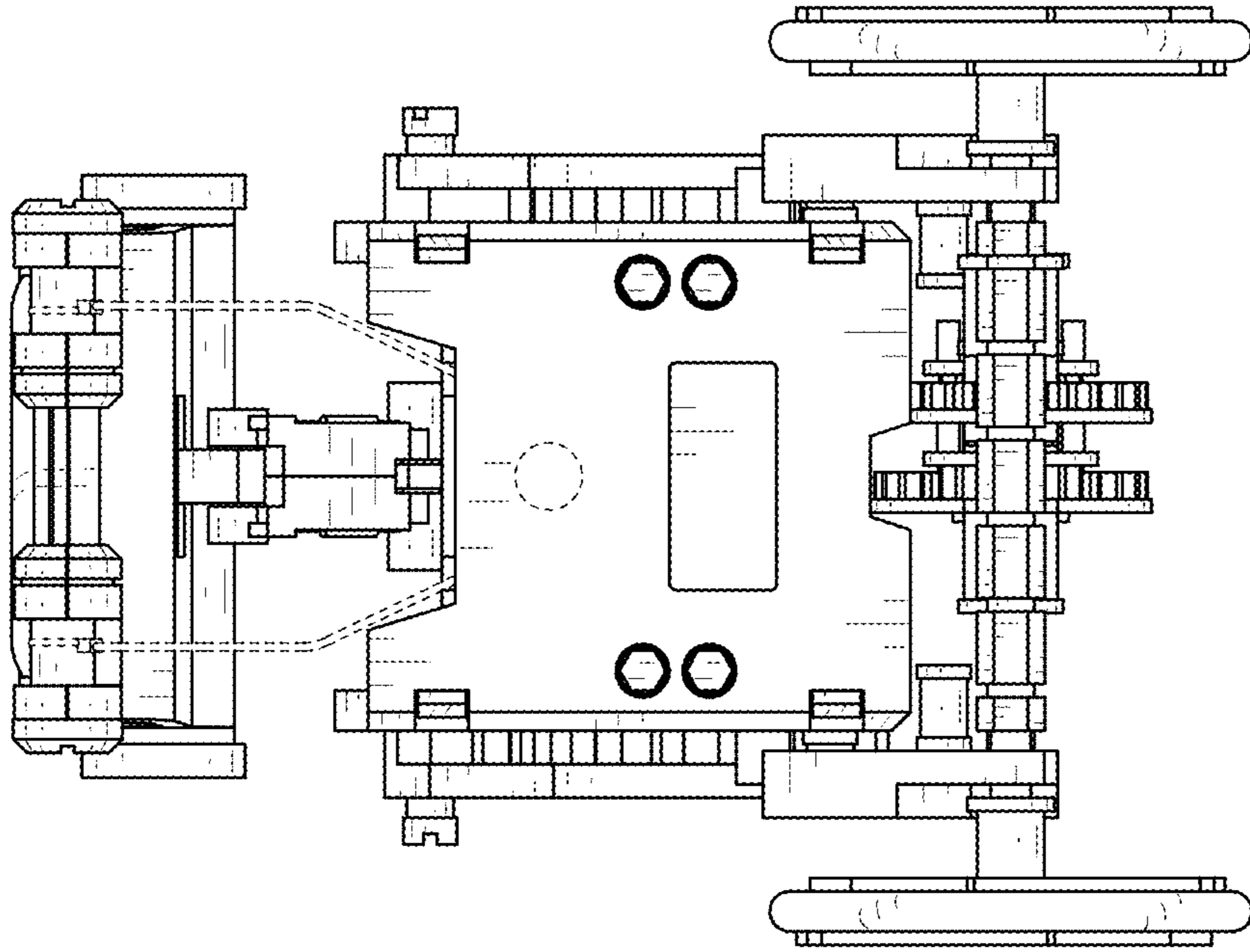


FIG. 4

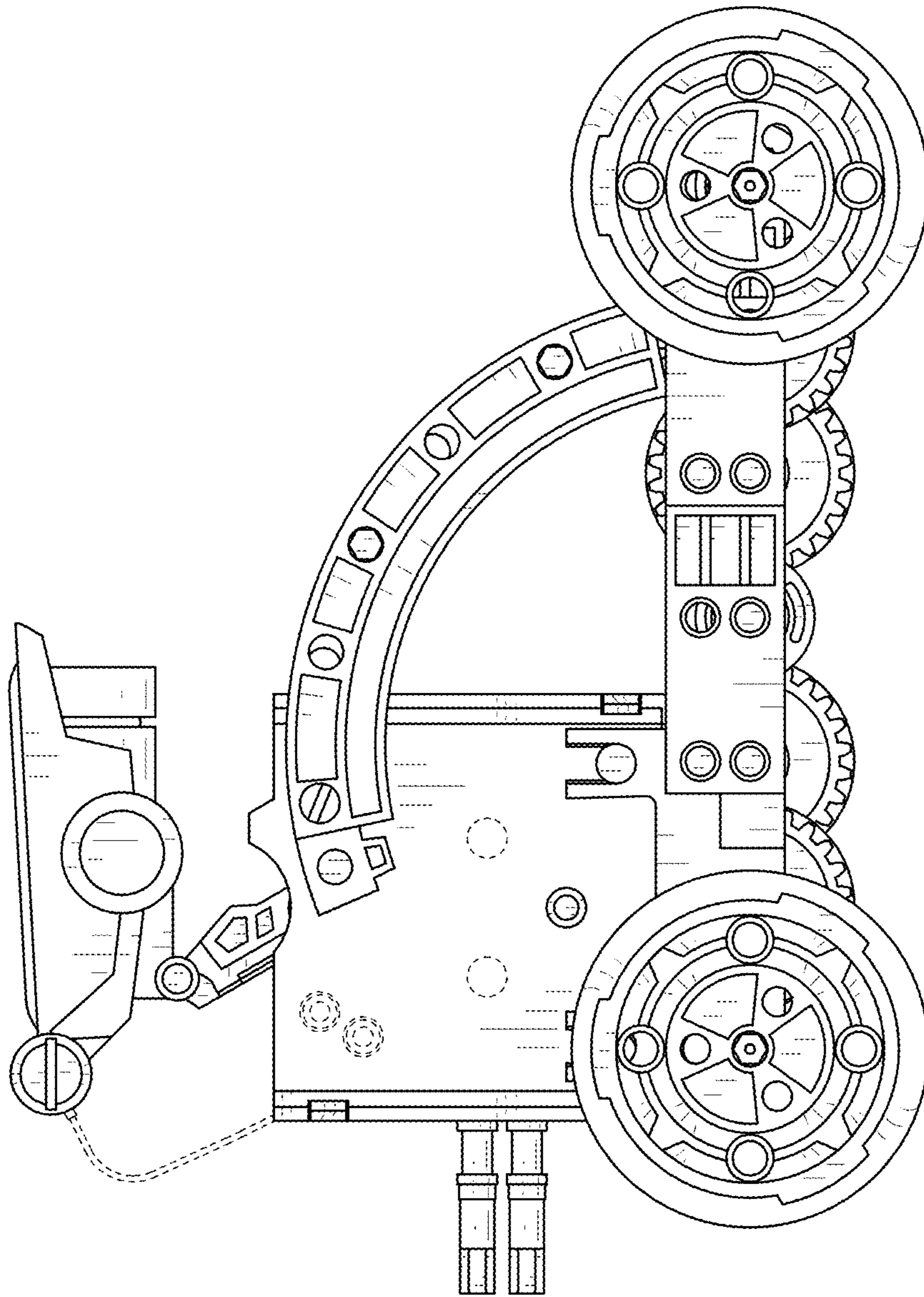


FIG. 5

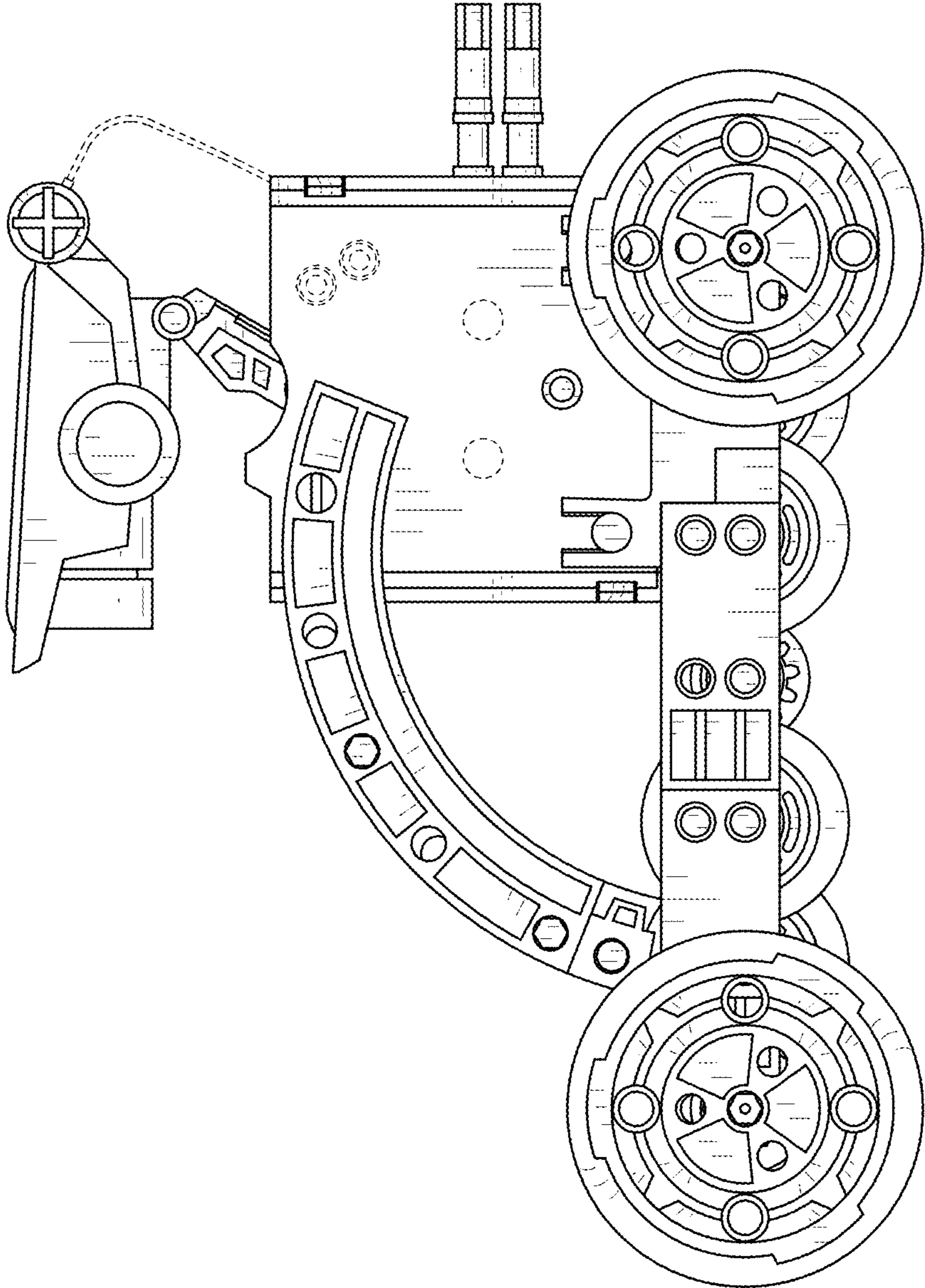


FIG. 6

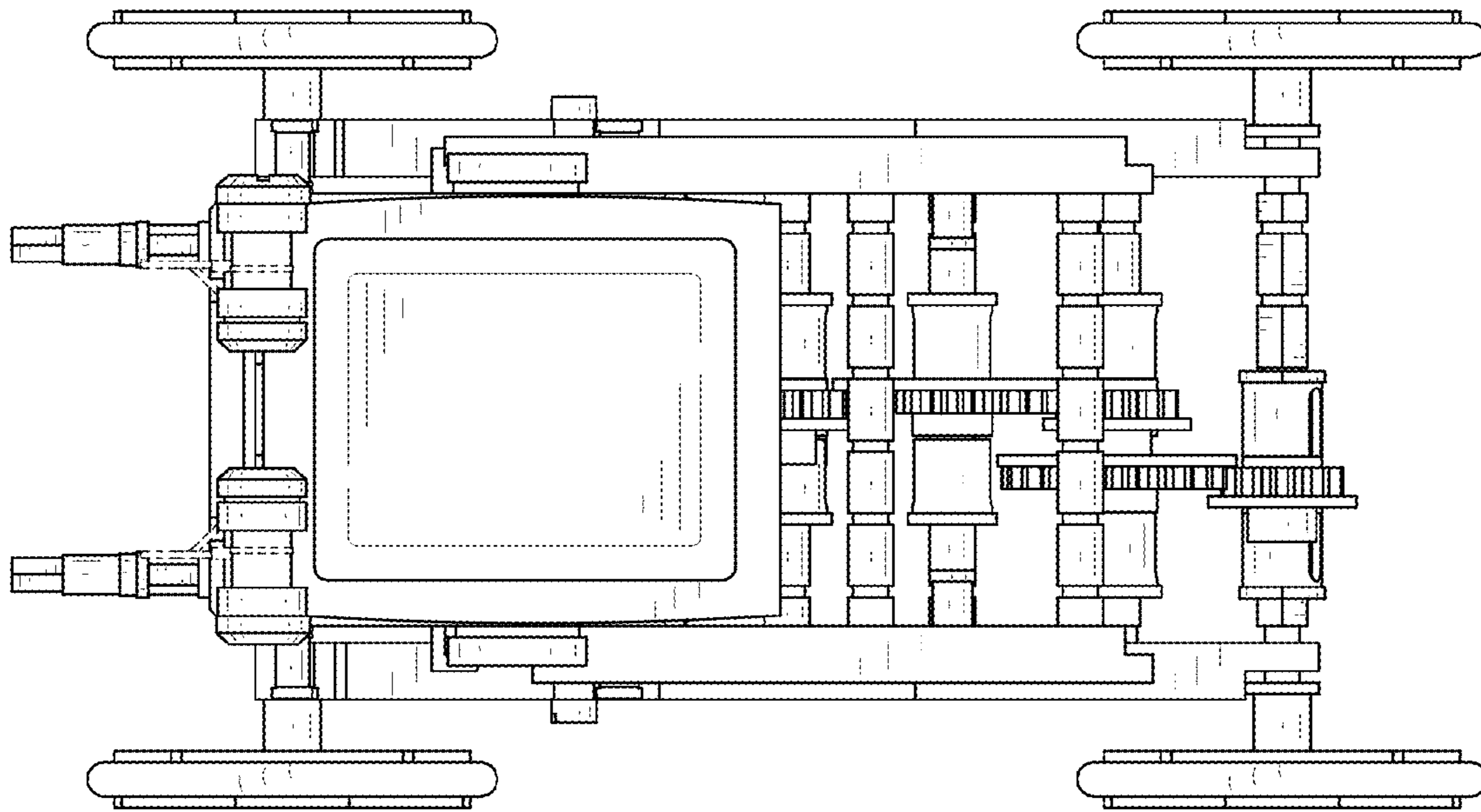


FIG. 7

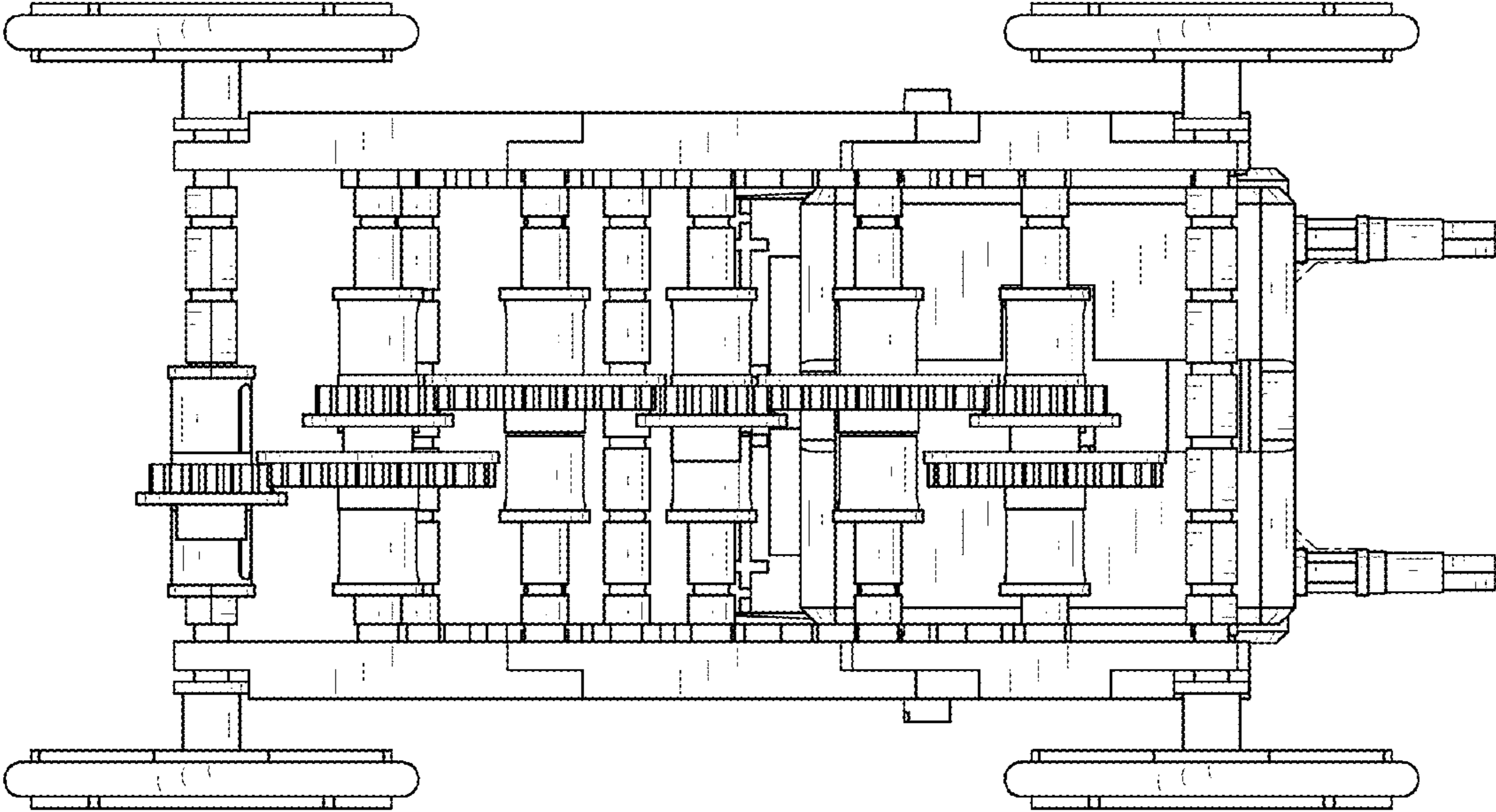


FIG. 8