



US00D891533S

(12) **United States Design Patent**
Lee

(10) **Patent No.:** **US D891,533 S**
(45) **Date of Patent:** **** Jul. 28, 2020**

- (54) **TOY ROBOT**
- (71) Applicant: **Wen-Hsien Lee**, New Taipei (TW)
- (72) Inventor: **Wen-Hsien Lee**, New Taipei (TW)
- (**) Term: **15 Years**
- (21) Appl. No.: **29/668,888**
- (22) Filed: **Nov. 2, 2018**
- (51) **LOC (12) Cl.** **21-01**
- (52) **U.S. Cl.**
USPC **D21/578**
- (58) **Field of Classification Search**
USPC D21/578-586; D19/59; D15/199
CPC . B25J 9/00; B25J 9/0003; B25J 9/0006; B25J
13/00; B25J 5/00; B25J 5/007
See application file for complete search history.

D711,479 S * 8/2014 Lee D15/199
 D712,984 S * 9/2014 Lee D15/199
 D713,477 S * 9/2014 Lee D15/199

* cited by examiner

Primary Examiner — Zenia I Bennett
 (74) *Attorney, Agent, or Firm* — Thomas J. Nikolai;
 DeWitt LLP

(57) **CLAIM**

The ornamental design for a toy robot, as shown.

DESCRIPTION

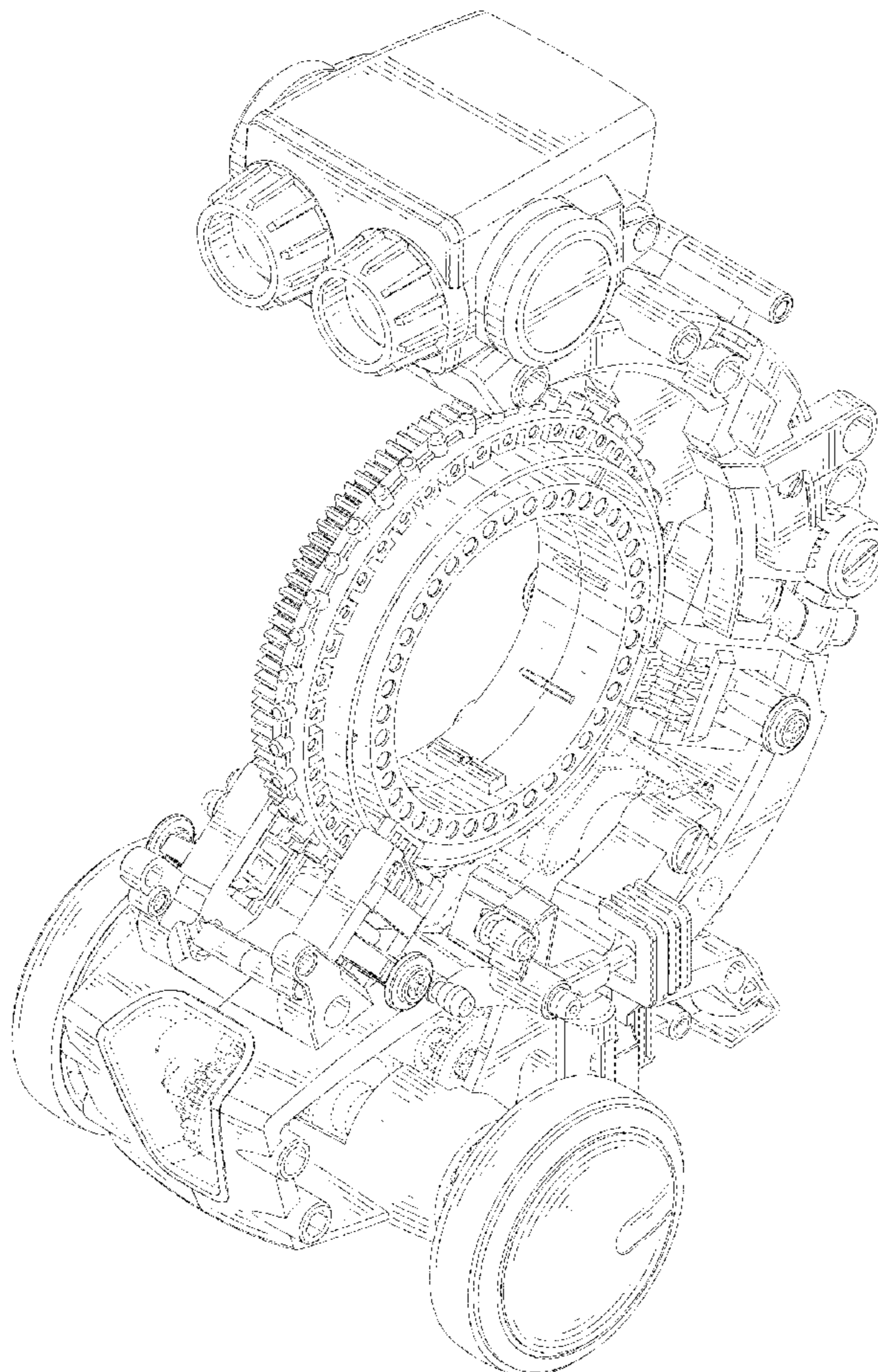
FIG. 1 is a perspective view of a toy robot showing my new design;
 FIG. 2 is another perspective view thereof;
 FIG. 3 is a front elevation view thereof;
 FIG. 4 is a rear elevation view thereof;
 FIG. 5 is a left side elevation view thereof;
 FIG. 6 is a right side elevation view thereof;
 FIG. 7 is a top plan view thereof; and,
 FIG. 8 is a bottom plan view thereof.
 The broken lines in the figures depict portions of the toy robot that form no part of the claimed design.

(56) **References Cited**

U.S. PATENT DOCUMENTS

D298,766 S * 11/1988 Tanno D21/578
 6,604,021 B2 * 8/2003 Imai G06N 3/008
 318/568.11
 D622,786 S * 8/2010 Lee D21/578
 D681,134 S * 4/2013 Lee D15/199

1 Claim, 8 Drawing Sheets



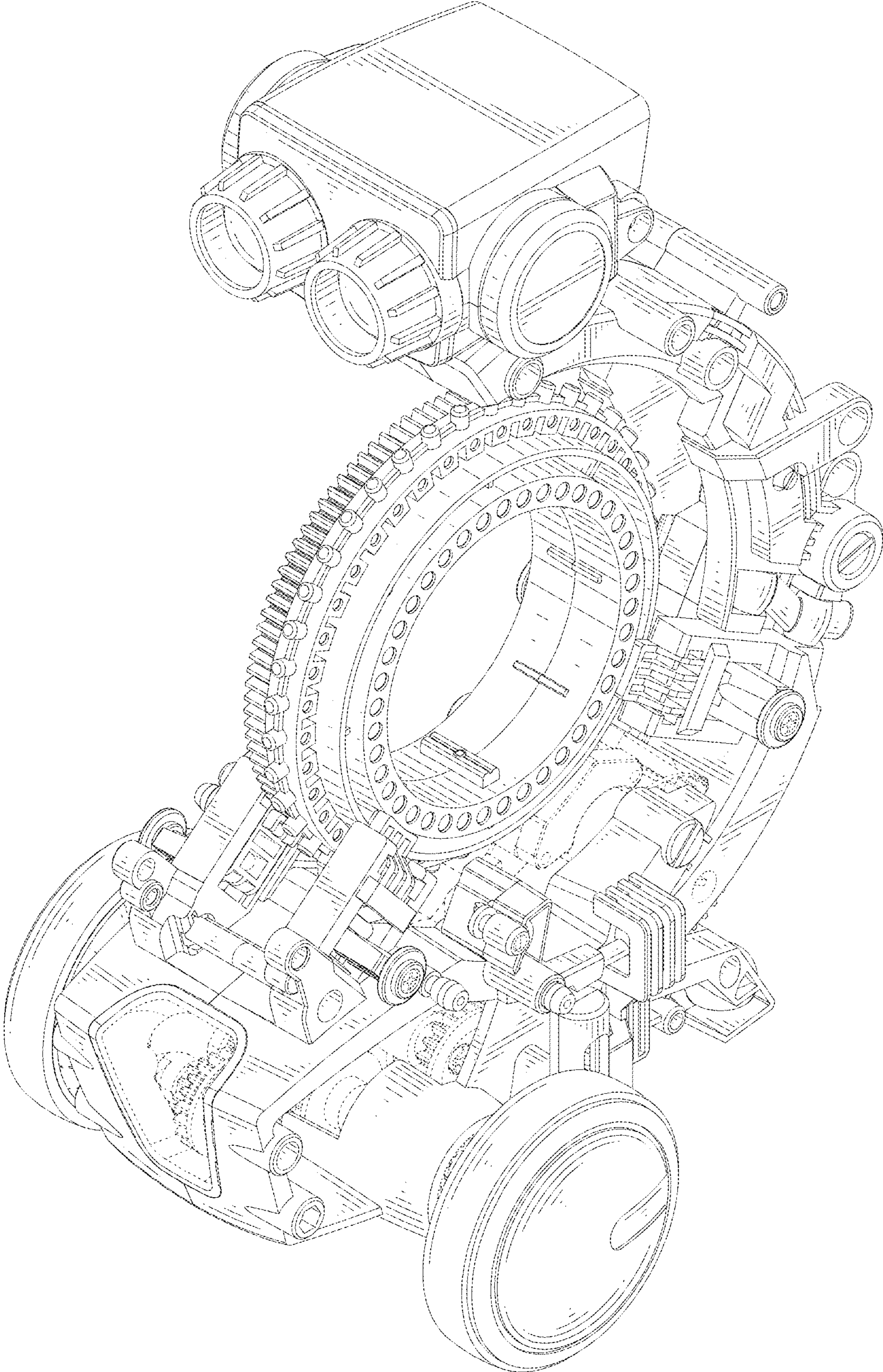


FIG.1

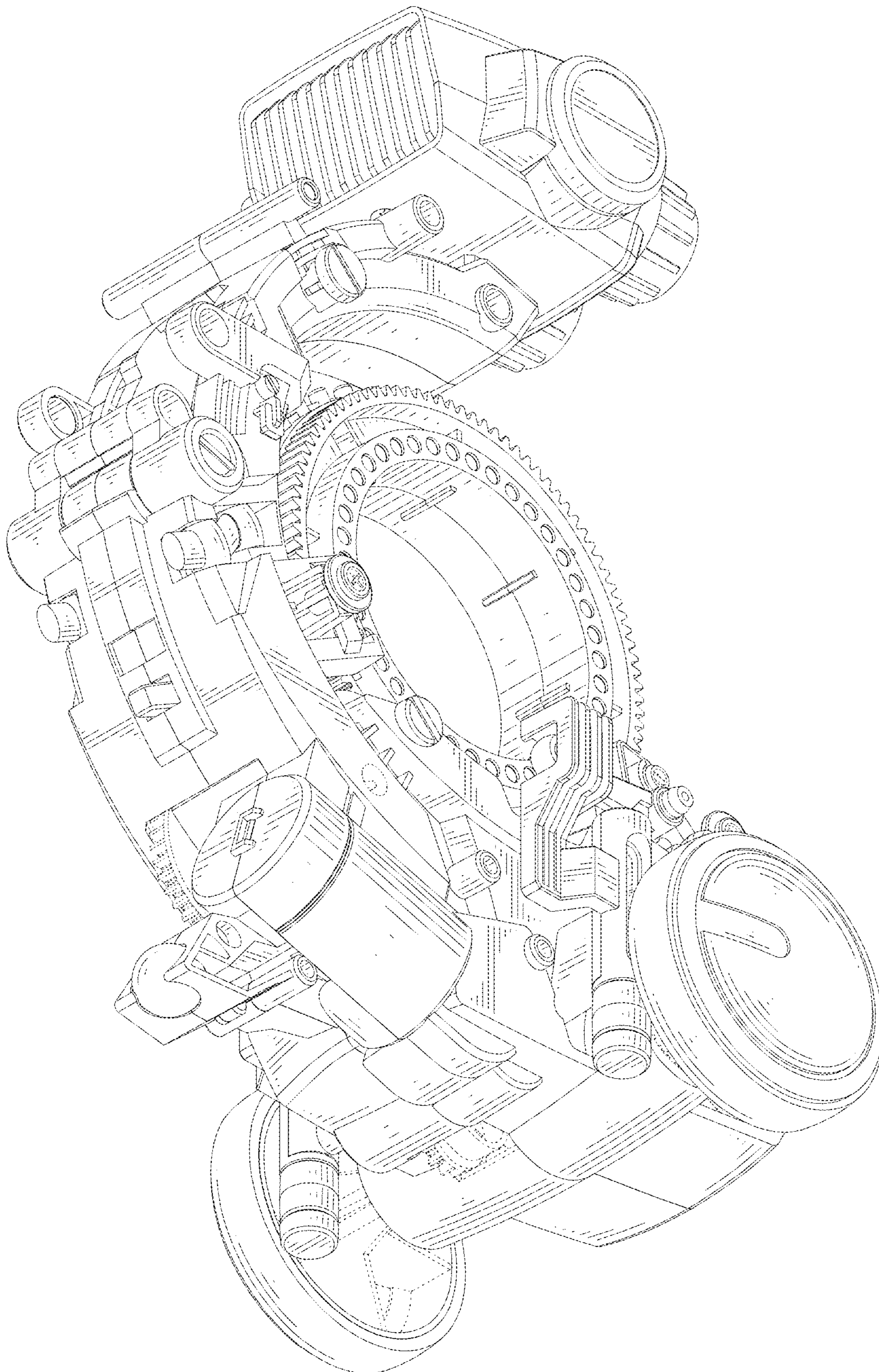


FIG.2

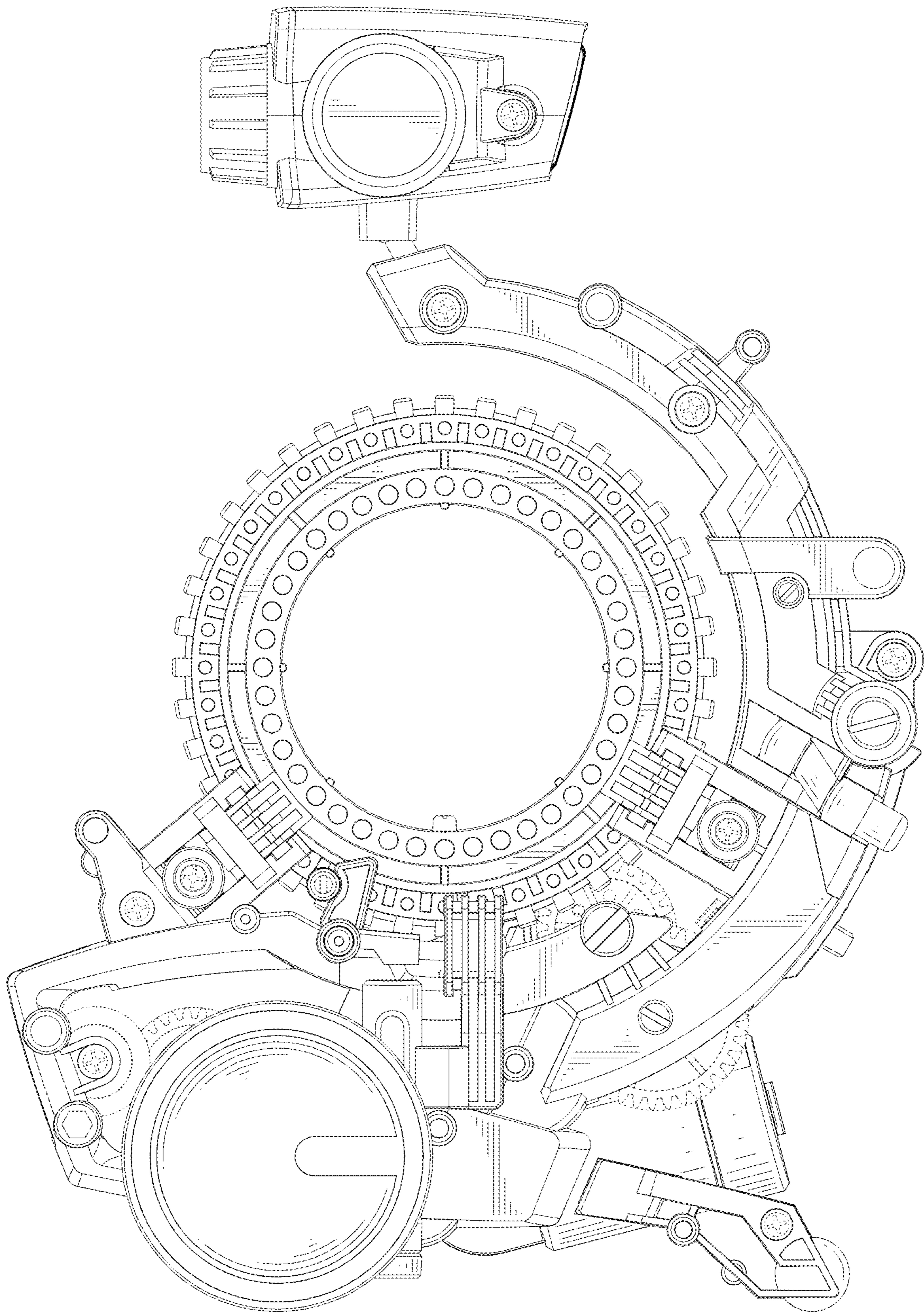


FIG.3

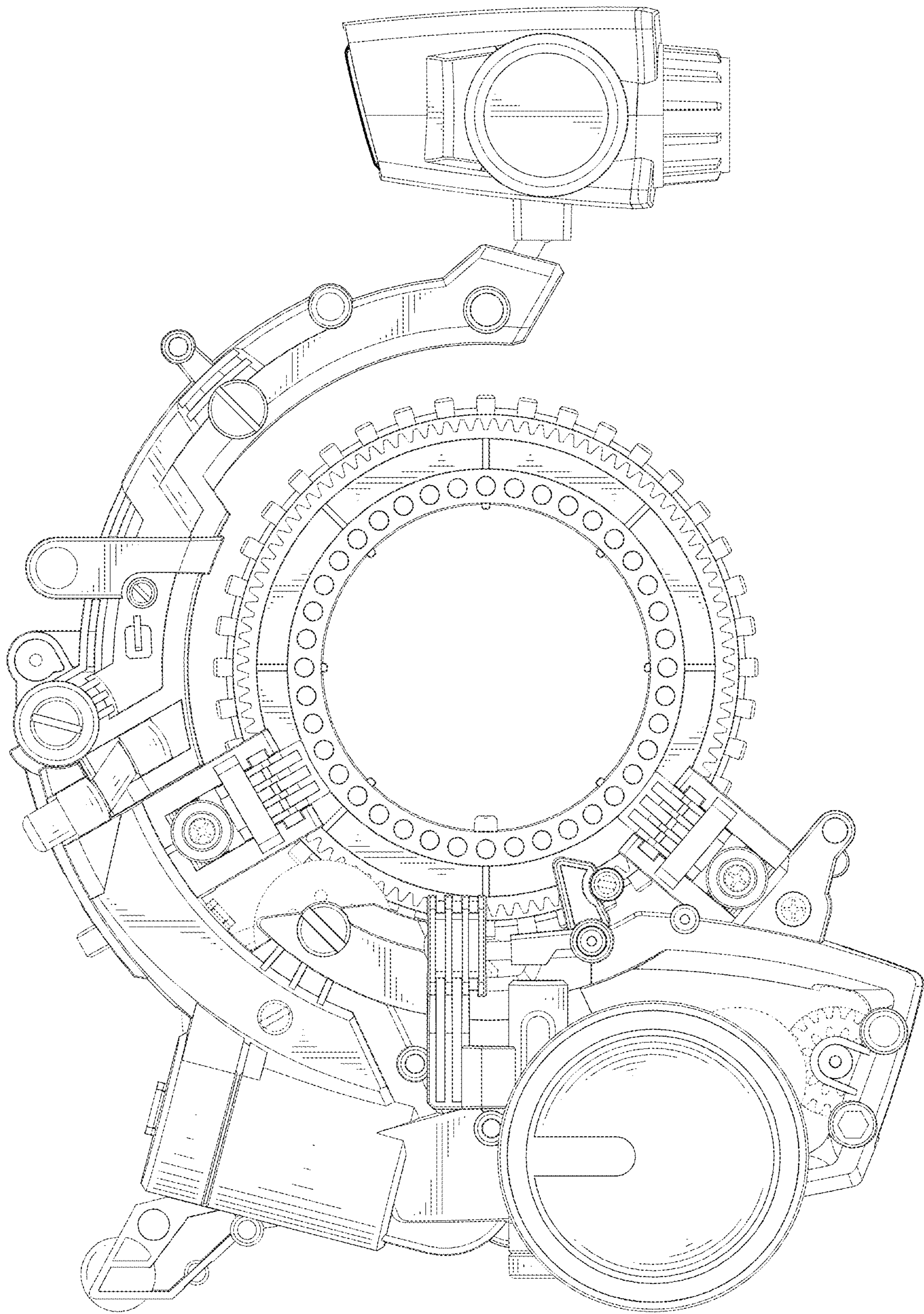


FIG.4

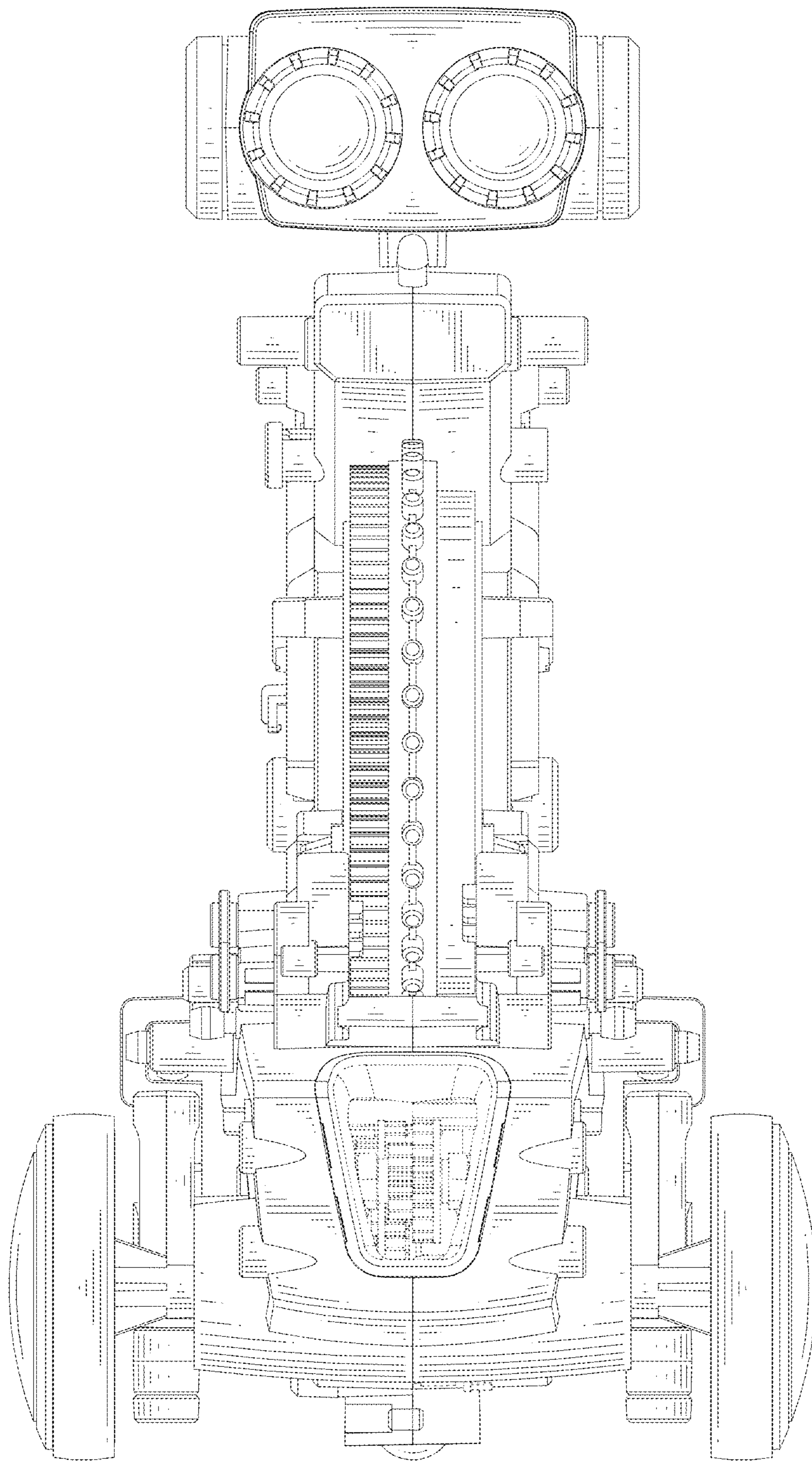


FIG.5

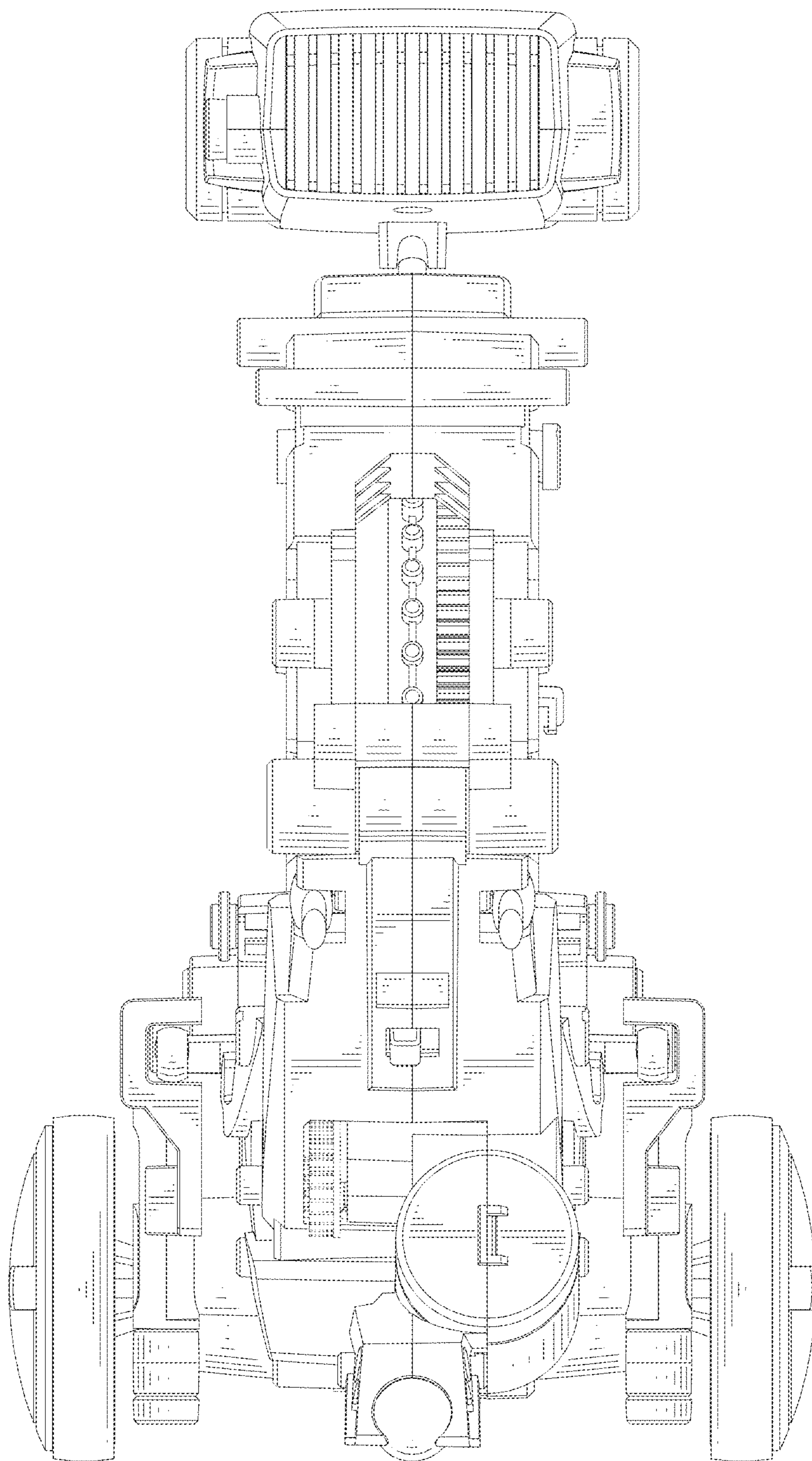


FIG.6

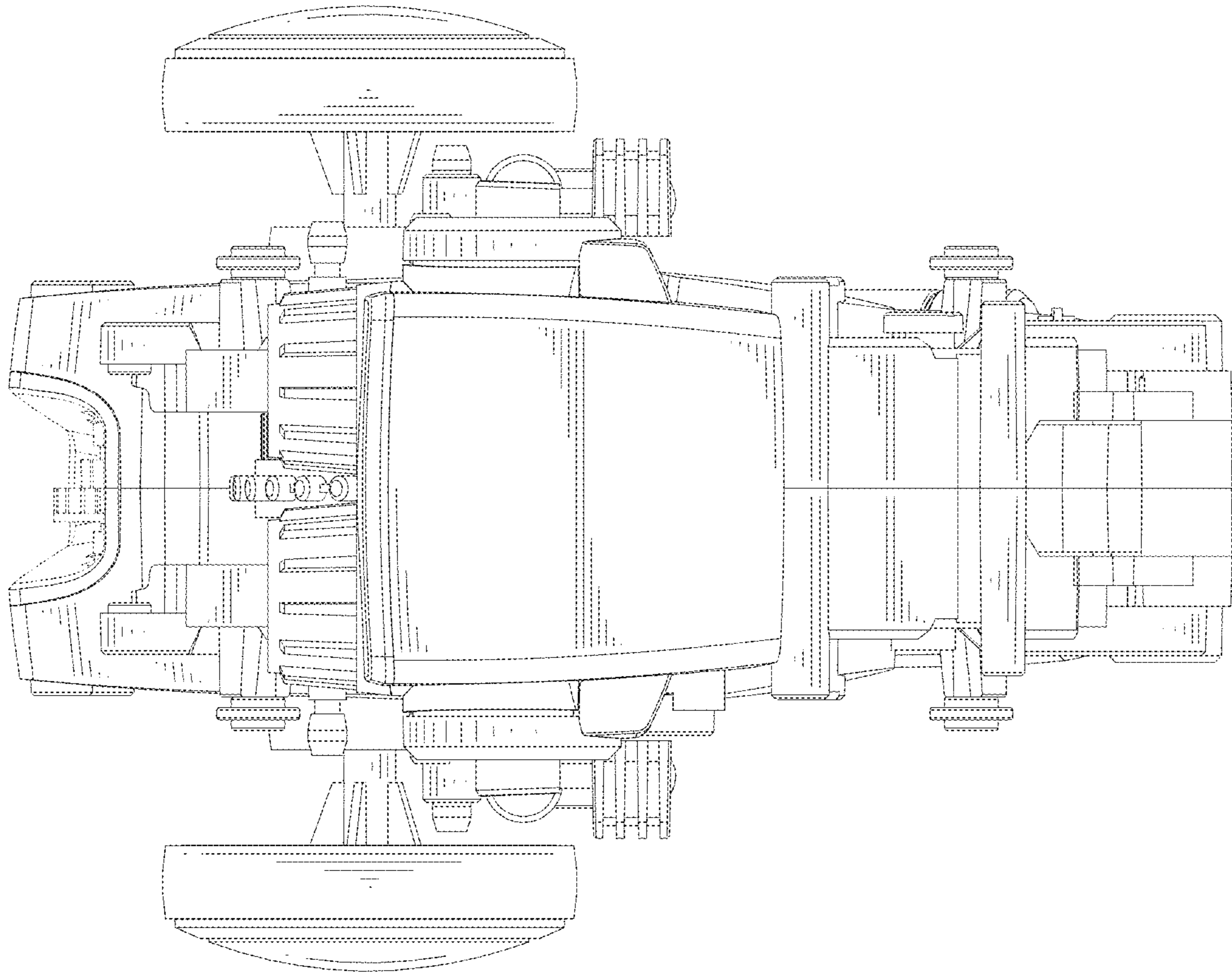


FIG.7

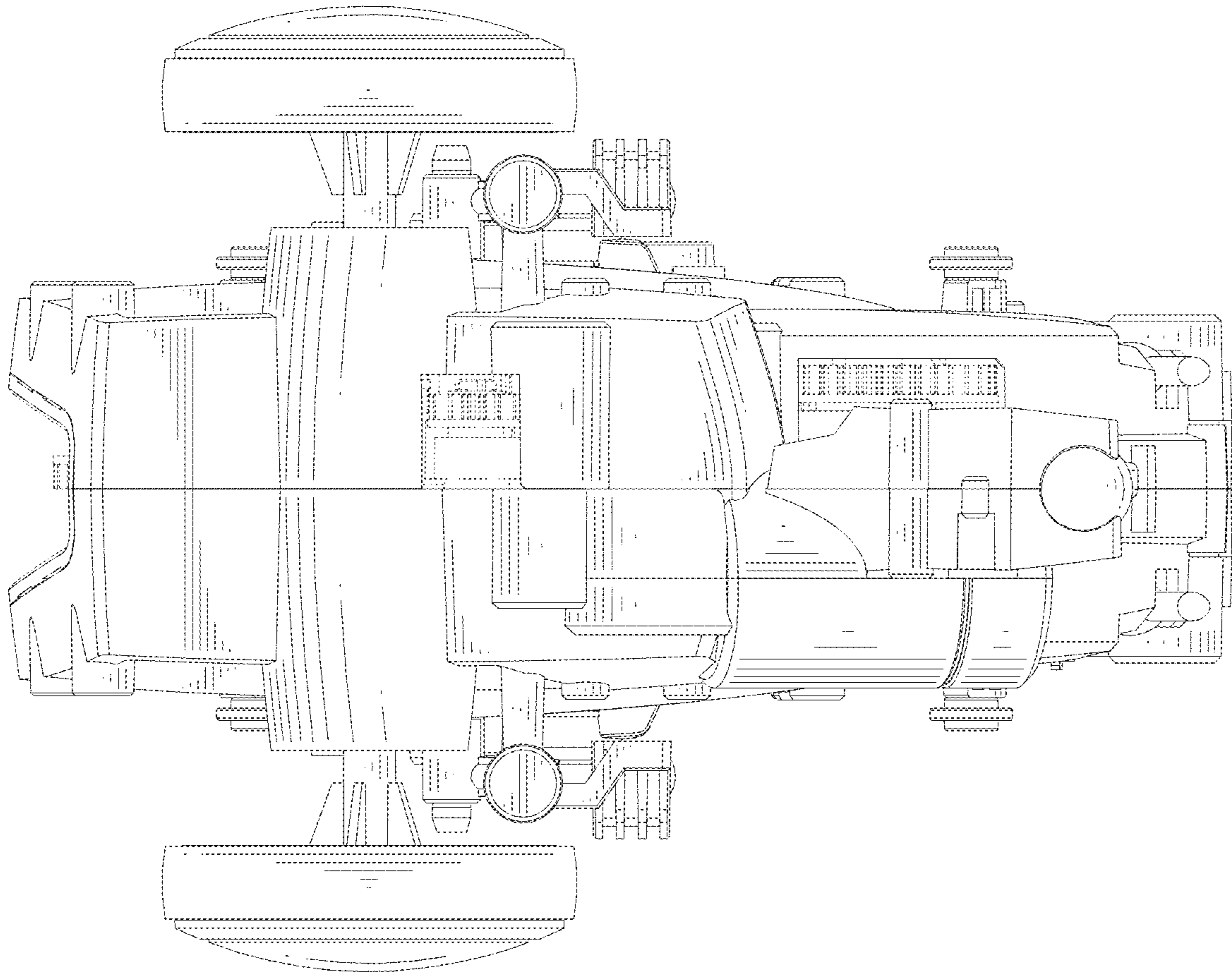


FIG.8