



US00D891532S

(12) **United States Design Patent** (10) **Patent No.:** **US D891,532 S**
Zhong (45) **Date of Patent:** **** Jul. 28, 2020**

(54) **TRACK TOY CAR**
(71) Applicant: **Shenzhen Kuke Watch Industry Co., Ltd., Shenzhen (CN)**
(72) Inventor: **Dihui Zhong, Guangzhou (CN)**
(**) Term: **15 Years**
(21) Appl. No.: **29/723,324**

D534,967 S	1/2007	Clark et al.	
D538,861 S *	3/2007	Takahashi	D21/550
D717,886 S *	11/2014	Mimlitch, III	D21/550
D721,769 S *	1/2015	Johnson	D21/552
D827,037 S *	8/2018	Exley	D21/433
D832,938 S *	11/2018	Langberg	D21/548
D835,207 S *	12/2018	Exley	D21/424
D852,900 S	7/2019	Zhou	
D862,610 S *	10/2019	Barajas	D21/548
D862,611 S *	10/2019	Barajas	D21/548
2012/0077411 A1 *	3/2012	Amireh	A63H 17/32 446/456

(22) Filed: **Feb. 6, 2020**
(51) **LOC (12) Cl.** **21-01**
(52) **U.S. Cl.**
USPC **D21/548**
(58) **Field of Classification Search**
USPC D21/398, 533, 548, 549, 550, 551, 552,
D21/557, 560, 561, 562, 580, 581
CPC A63H 17/00; A63H 17/002; A63H 17/004;
A63H 17/26; A63H 17/262; A63H
17/264; A63H 17/266; A63H 17/34;
A63H 17/36; A63H 17/38; A63H 29/00;
A63H 29/16; A63H 29/165; A63H 29/22;
A63H 29/24
See application file for complete search history.

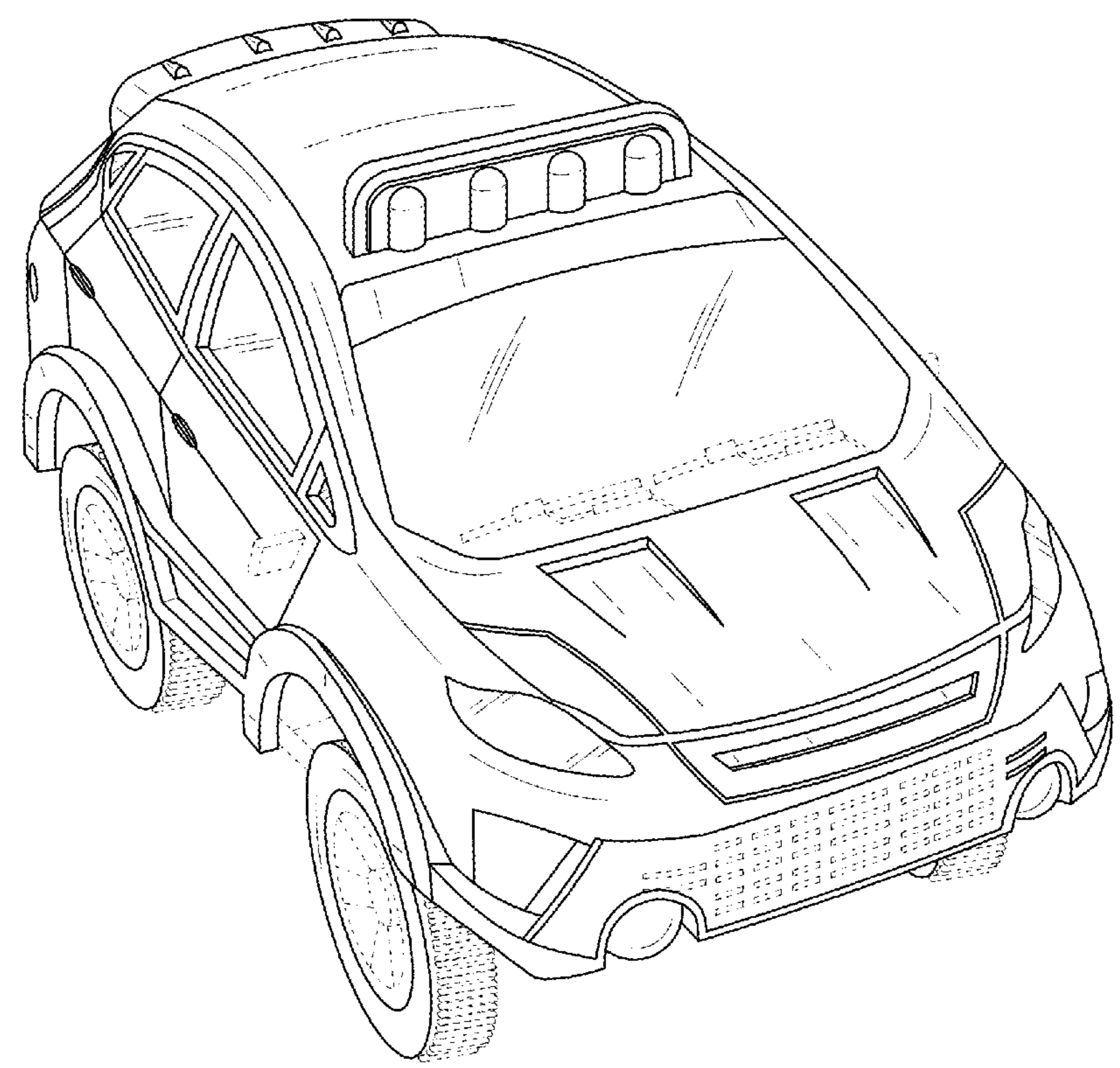
* cited by examiner
Primary Examiner — Cynthia M. Chin
(74) *Attorney, Agent, or Firm* — KA Filing LLC; Wayne V. Harper; Cynthia Flanigan

(56) **References Cited**
U.S. PATENT DOCUMENTS
D295,301 S * 4/1988 Matsumoto D21/581
D490,125 S 5/2004 Wei
D498,798 S 11/2004 Wei
D533,606 S * 12/2006 Kaminski D21/548

(57) **CLAIM**
I claim the ornamental design for a track toy car, as shown and described.

DESCRIPTION
FIG. 1 is a Perspective view of a track toy car showing my new design;
FIG. 2 is a Front view thereof;
FIG. 3 is a Back view thereof;
FIG. 4 is a Right-side view thereof;
FIG. 5 is a Left-side view thereof;
FIG. 6 is a Top view thereof; and,
FIG. 7 is a Bottom view thereof.
The broken lines are for the purpose of illustrating portions of the article that form no part of the claim.

1 Claim, 7 Drawing Sheets



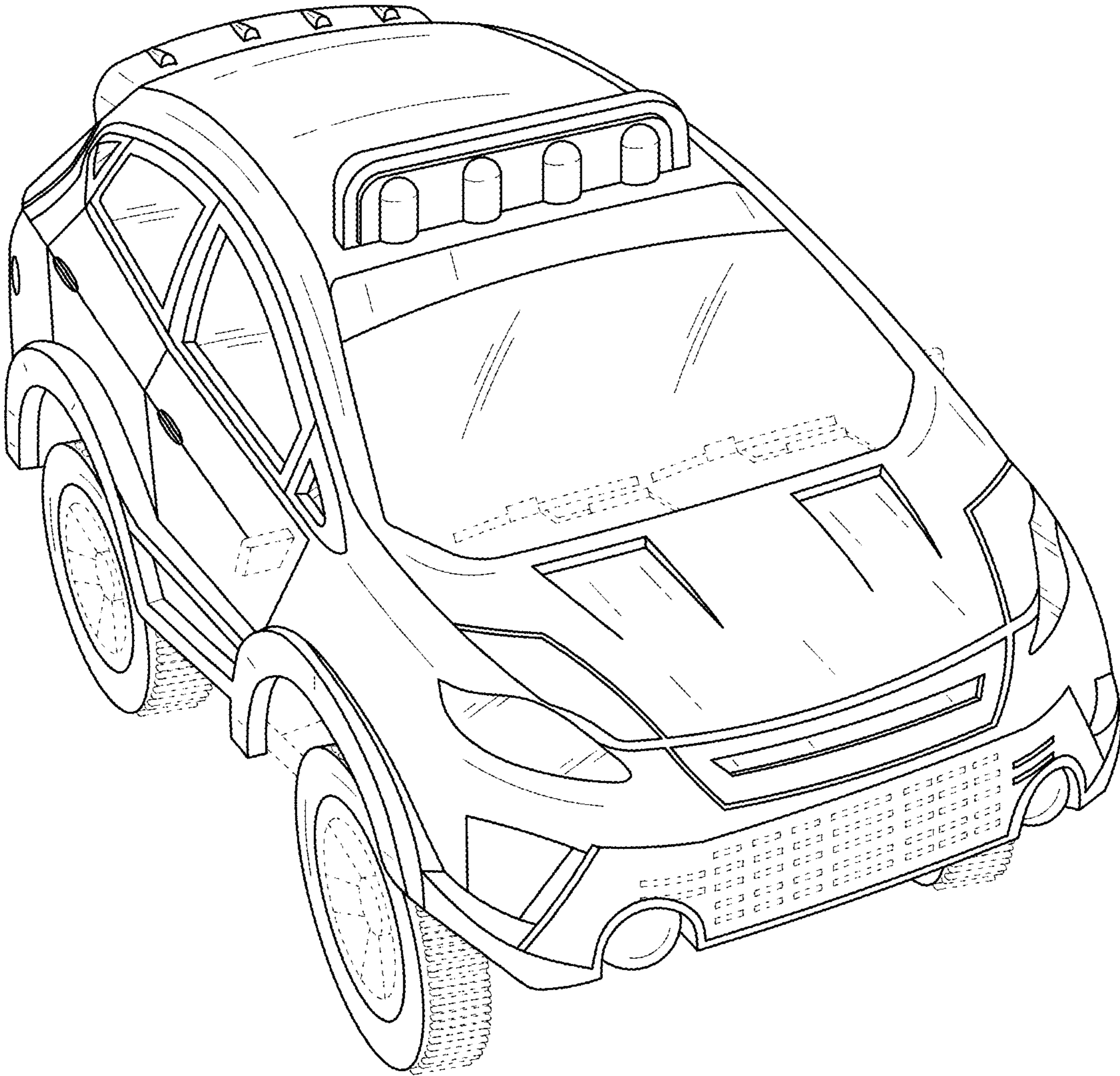


FIG. 1

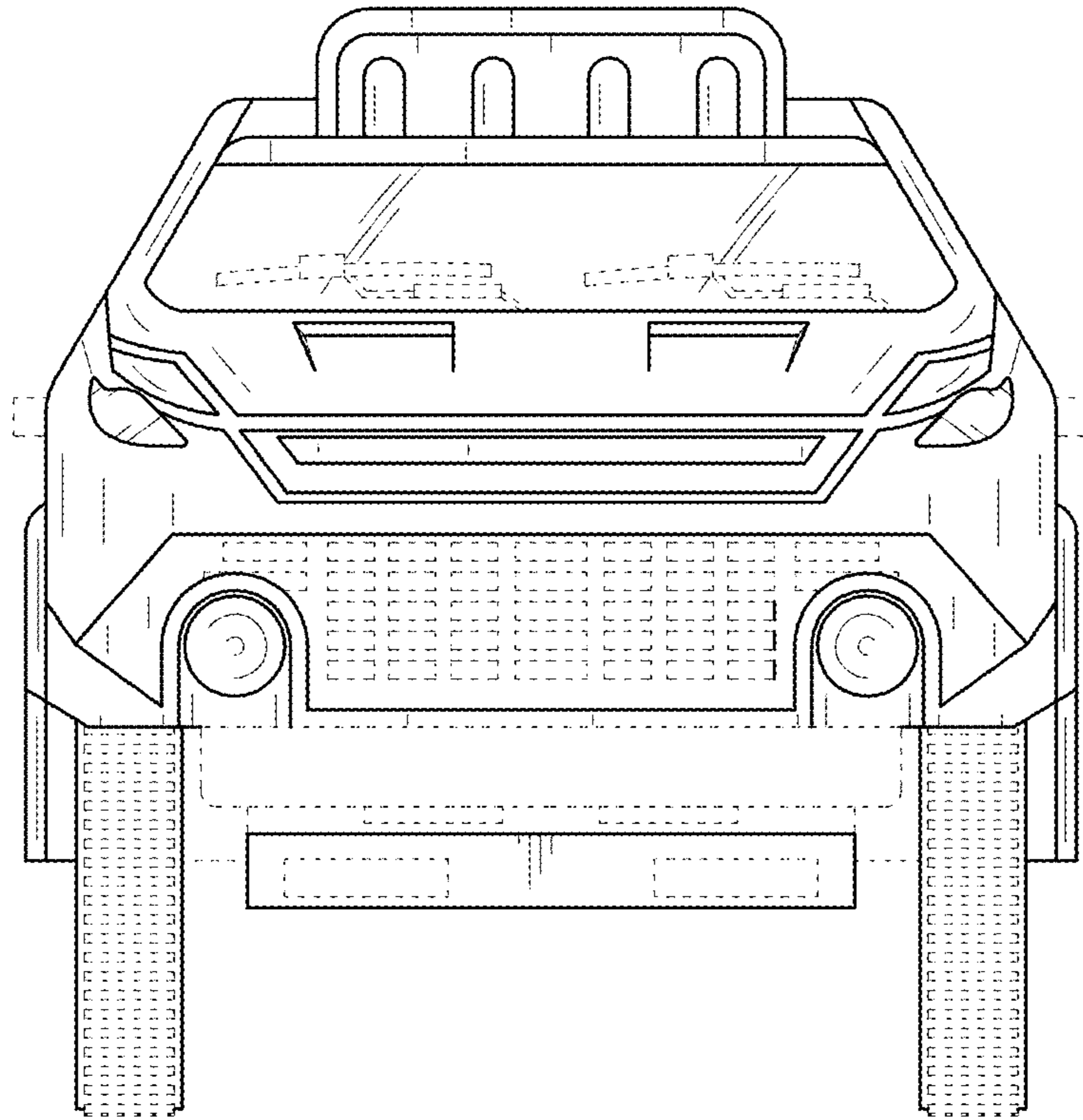


FIG. 2

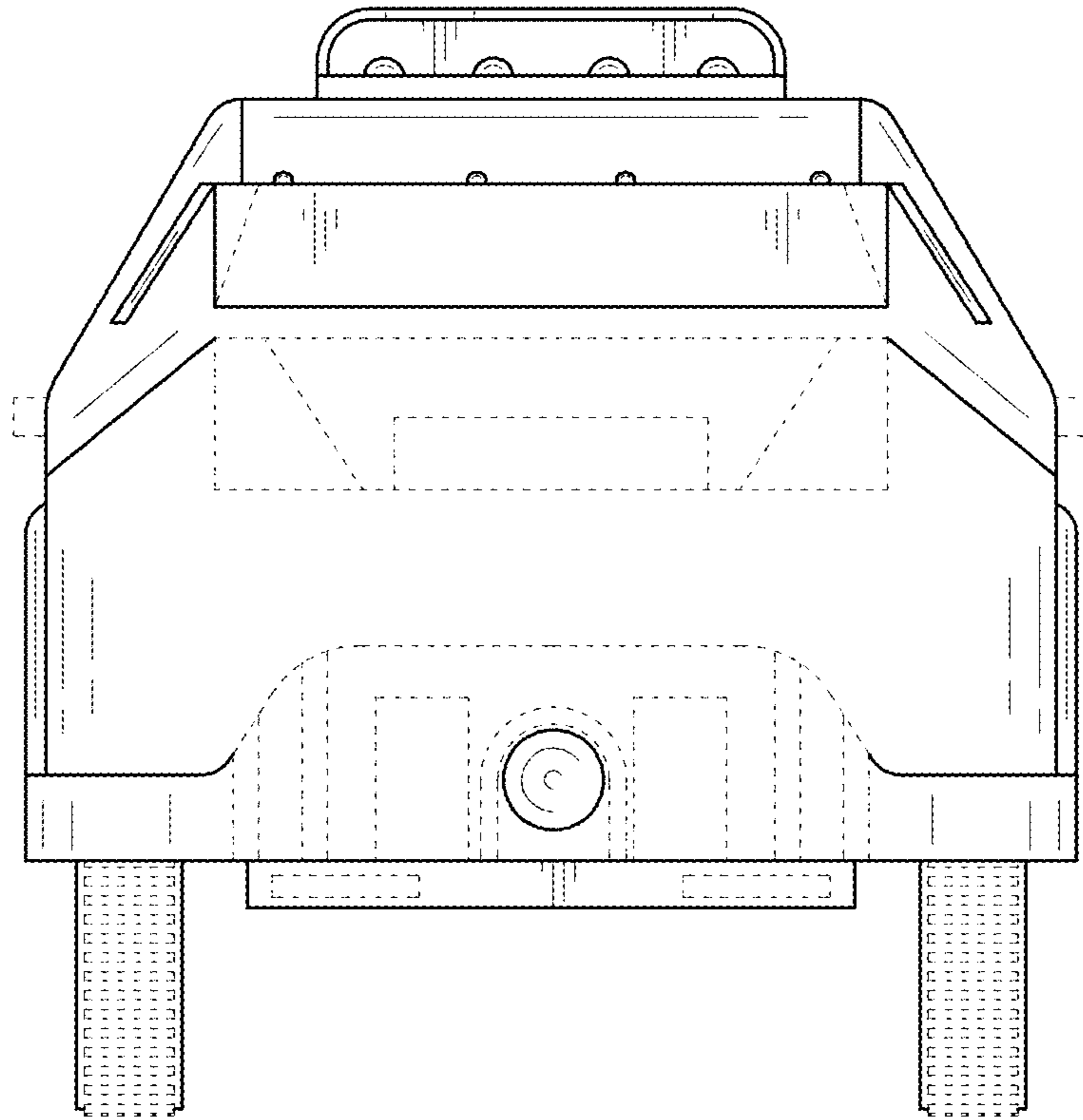


FIG. 3

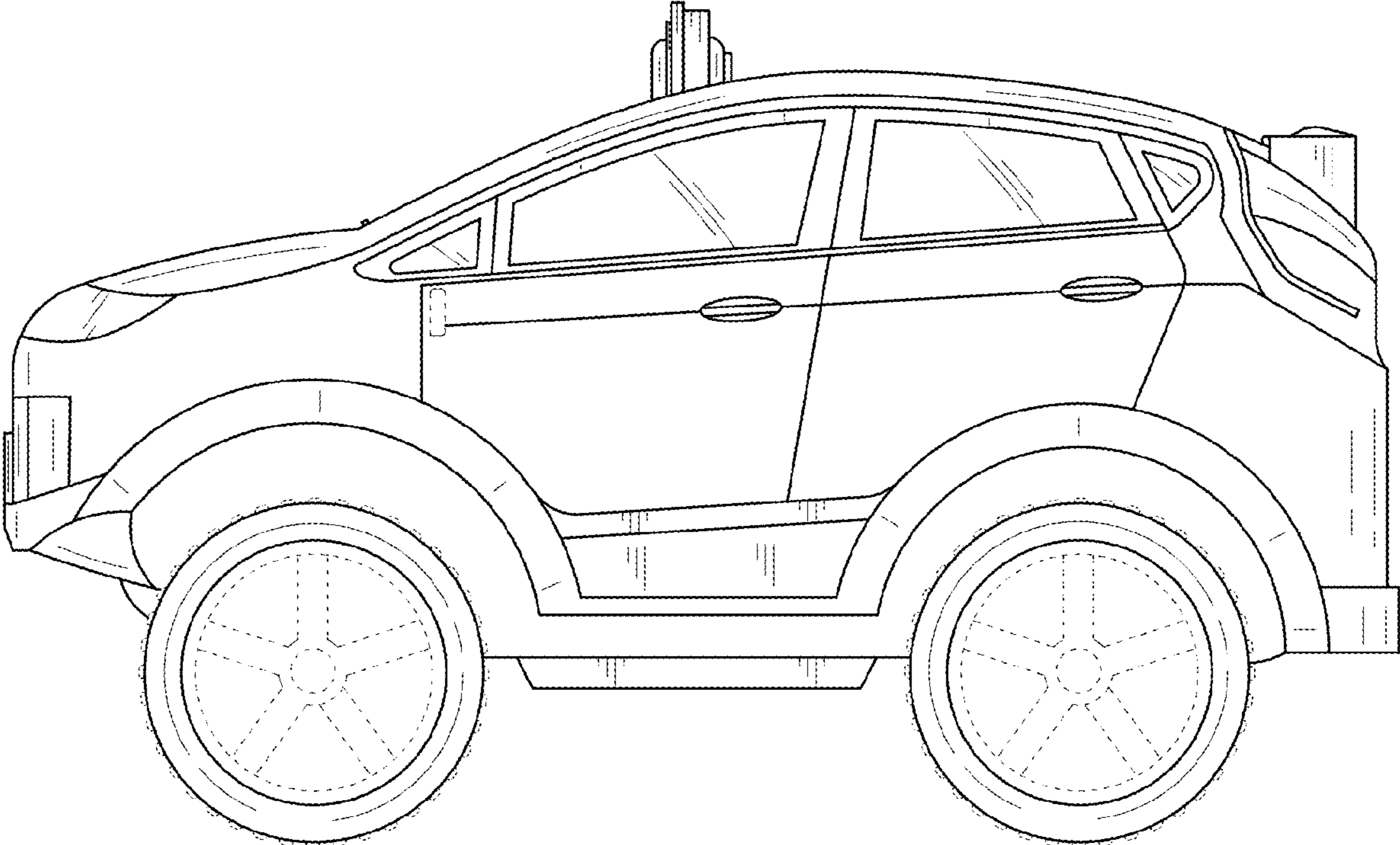


FIG. 4

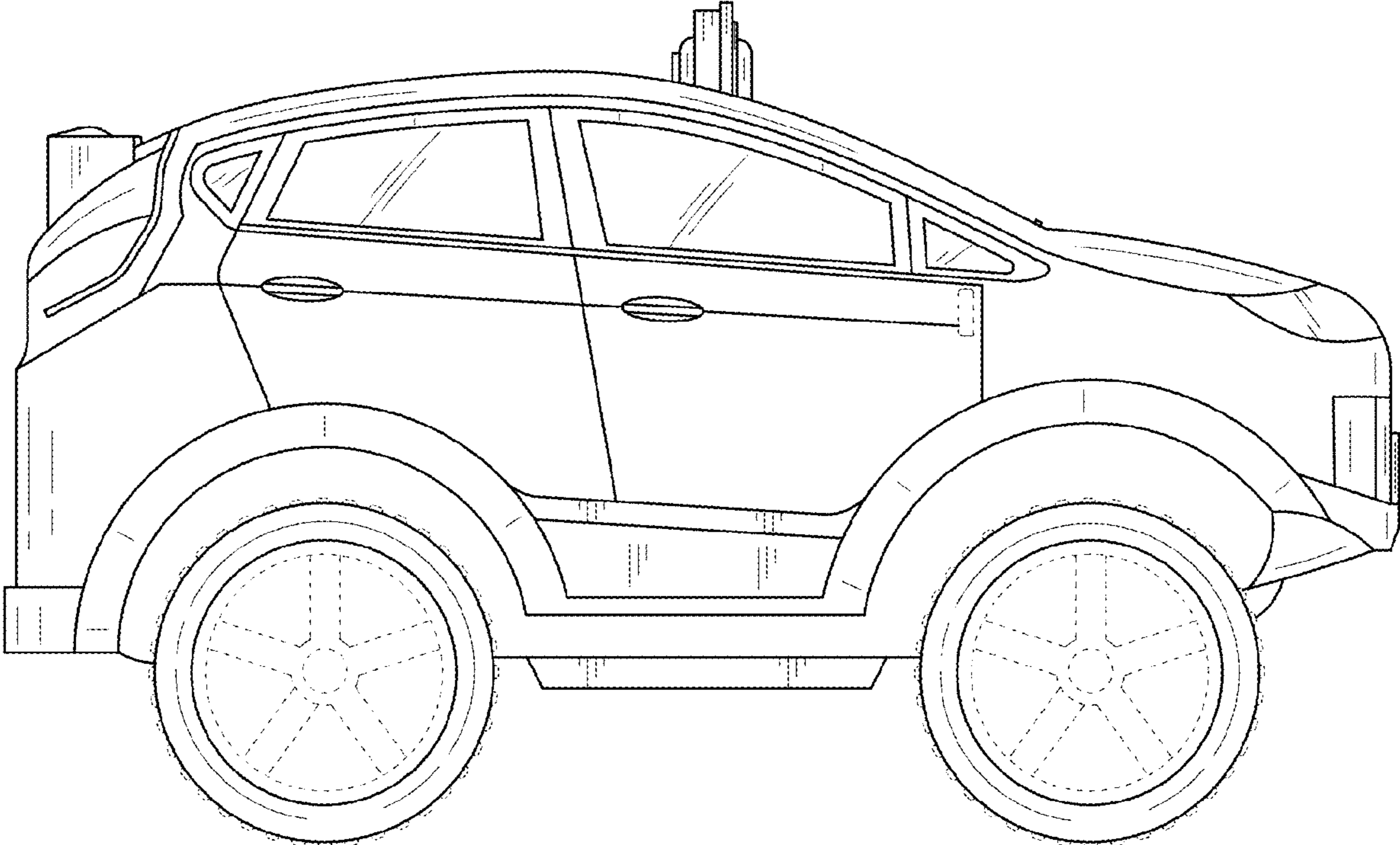


FIG. 5

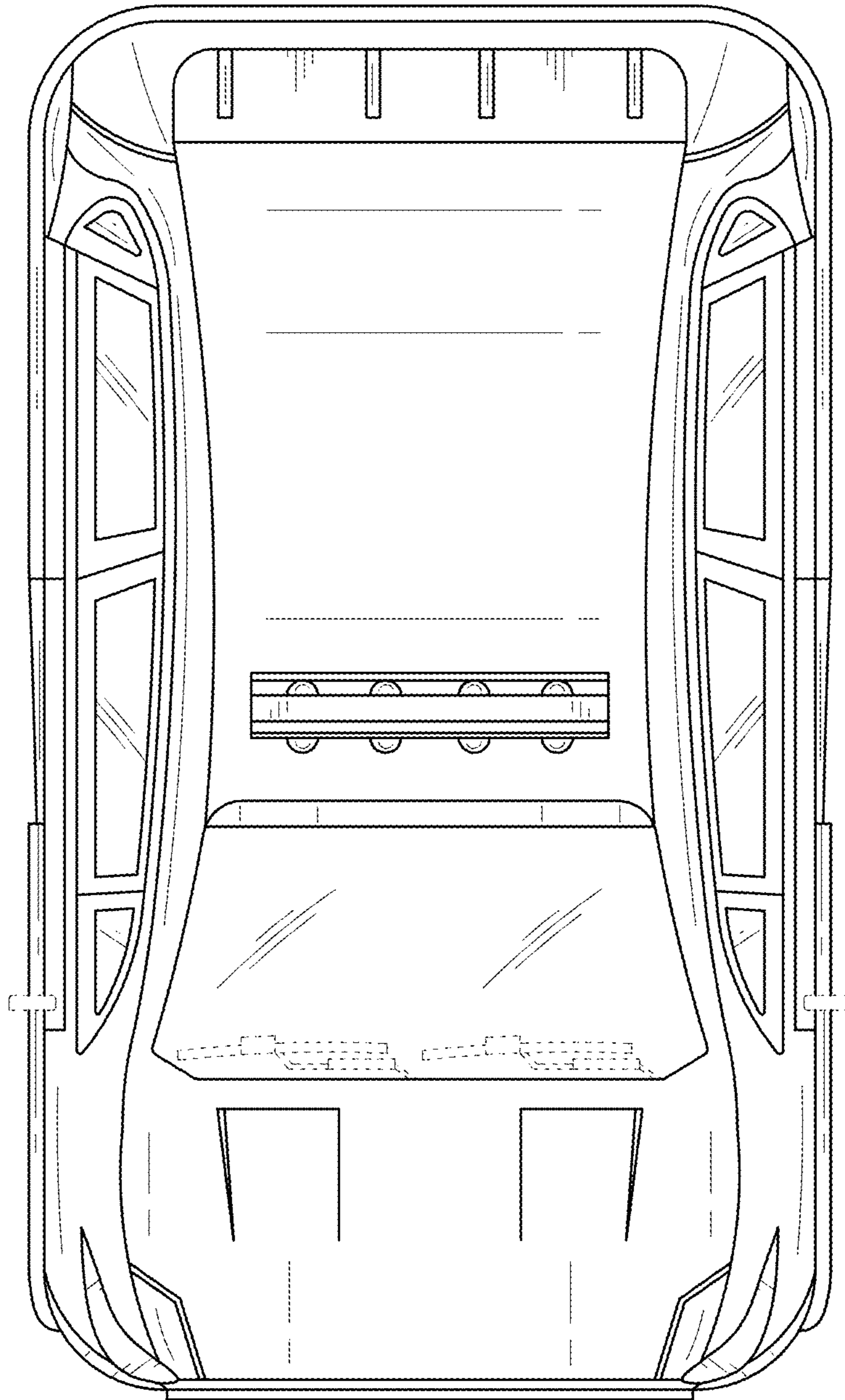


FIG. 6

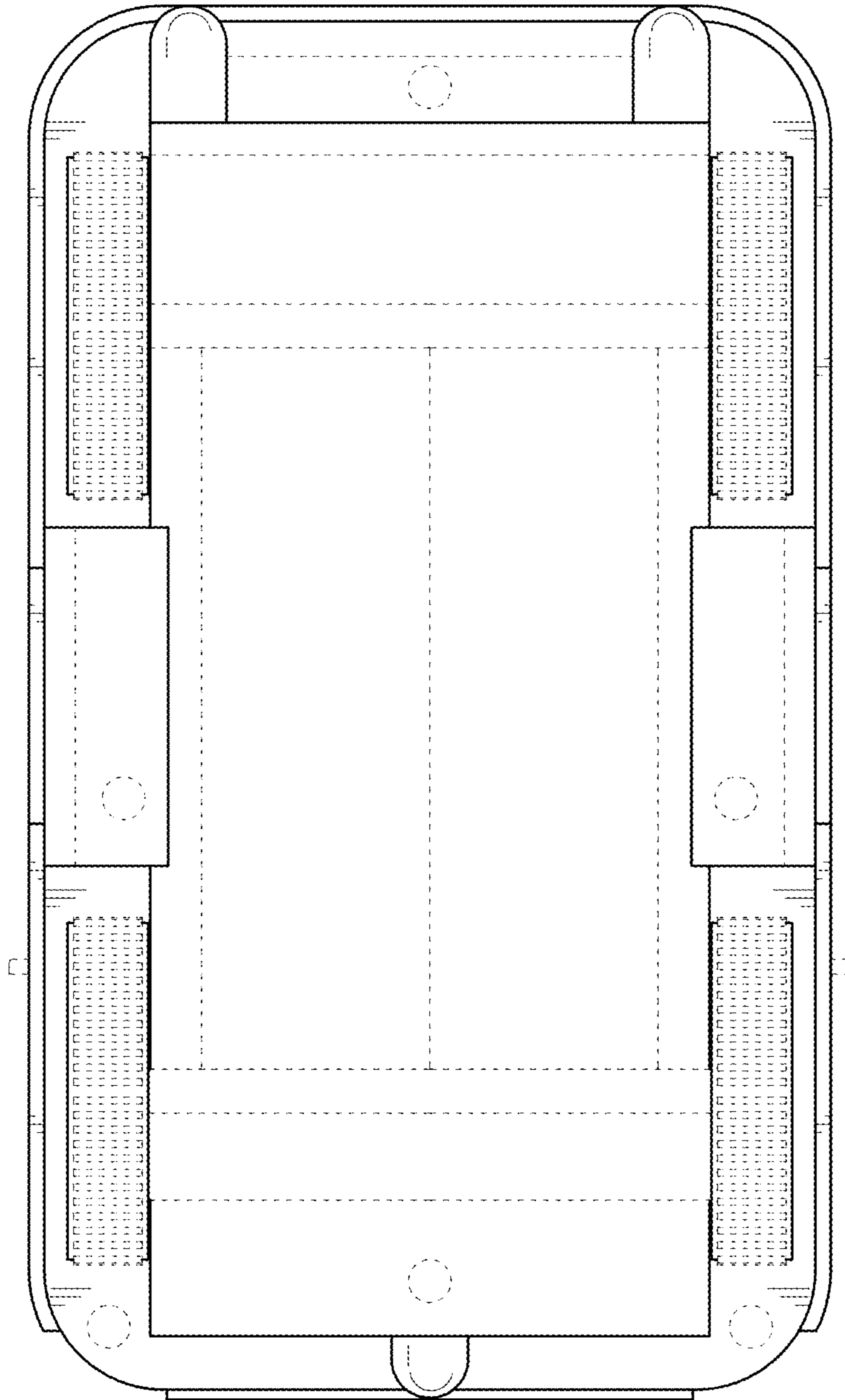


FIG. 7