



US00D891531S

(12) **United States Design Patent**  
**Zhang et al.**

(10) **Patent No.:** **US D891,531 S**  
(45) **Date of Patent:** **\*\* Jul. 28, 2020**

(54) **BUILDING BLOCK**

(71) Applicant: **Shanghai Putao Technology Co., Ltd.**

(72) Inventors: **Xiang Zhang**, Shanghai (CN); **Lei Xie**, Shanghai (CN)

(73) Assignee: **SHANGHAI PUTAO TECHNOLOGY CO., LTD.**, Shanghai (CN)

(\*\*) Term: **15 Years**

(21) Appl. No.: **29/673,567**

(22) Filed: **Dec. 15, 2018**

(30) **Foreign Application Priority Data**

Jun. 15, 2018 (CN) ..... 2018 3 0308956

(51) **LOC (12) Cl.** ..... **21-01**

(52) **U.S. Cl.**  
USPC ..... **D21/488**

(58) **Field of Classification Search**  
USPC ..... D21/468, 470, 471, 478, 479, 484-505;  
D25/113, 114, 115, 118; D8/354, 382;  
D23/262  
CPC ..... A63H 33/04; A63H 33/044; A63H 33/06;  
A63H 33/062; A63H 33/10; A63H  
33/101; A63H 33/108  
See application file for complete search history.

(56) **References Cited**

**U.S. PATENT DOCUMENTS**

D284,393 S \* 6/1986 Kassai ..... D21/486  
D285,583 S \* 9/1986 Kassai ..... D21/491

D290,721 S \* 7/1987 Ryaa ..... D21/484  
D344,302 S \* 2/1994 Plagborg ..... D21/491  
D359,999 S \* 7/1995 Schmidt ..... D21/486  
D365,857 S \* 1/1996 Lyman ..... D21/491  
D370,035 S \* 5/1996 Olsen ..... D21/491  
D374,257 S \* 10/1996 Schmidt ..... D21/486  
D389,408 S \* 1/1998 Rask ..... D21/491  
D426,588 S \* 6/2000 Glickman ..... D21/486  
D564,044 S \* 3/2008 Rolf ..... D21/486  
D706,363 S \* 6/2014 Norman ..... D21/486  
D786,364 S \* 5/2017 Richards ..... D21/484  
D833,540 S \* 11/2018 Zhang ..... D21/486  
D852,284 S \* 6/2019 Zhang ..... D21/491  
2004/0154256 A1 \* 8/2004 Kim ..... E04B 2/08  
52/592.6

\* cited by examiner

*Primary Examiner* — Cynthia M. Chin

(74) *Attorney, Agent, or Firm* — Dragon Sun Law Firm, PC.; Jianggao Li, Esq.

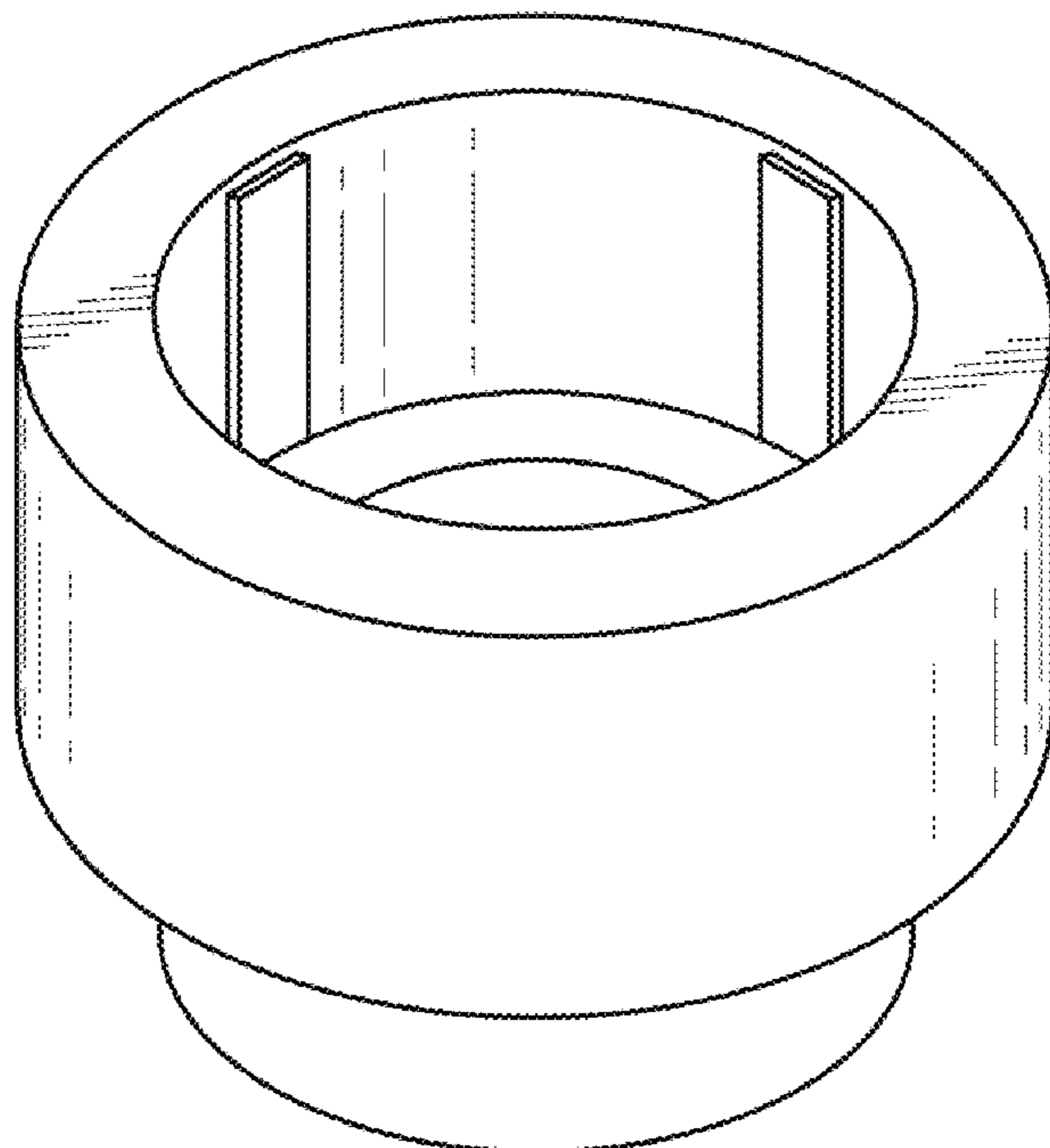
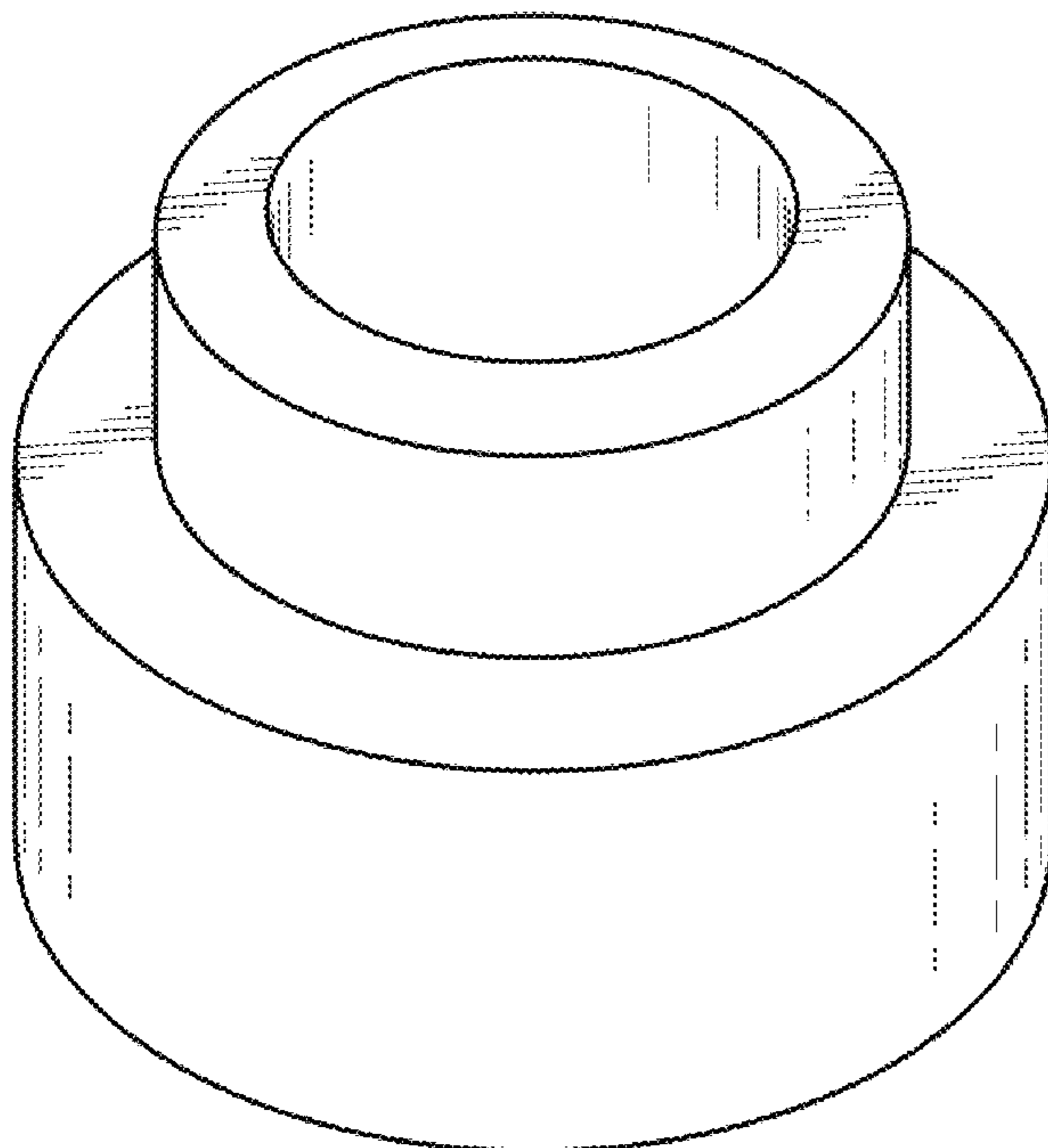
(57) **CLAIM**

The ornamental design for a building block, as shown and described.

**DESCRIPTION**

FIG. 1 is a front and side perspective view of a building block showing our new design;  
FIG. 2 is a bottom and side perspective view of the first embodiment thereof;  
FIG. 3 is a front elevational view thereof;  
FIG. 4 is a rear elevational view thereof;  
FIG. 5 is a right side elevational view thereof;  
FIG. 6 is a left side elevational view thereof;  
FIG. 7 is a top plan view thereof; and,  
FIG. 8 is a bottom plan view thereof.

**1 Claim, 8 Drawing Sheets**



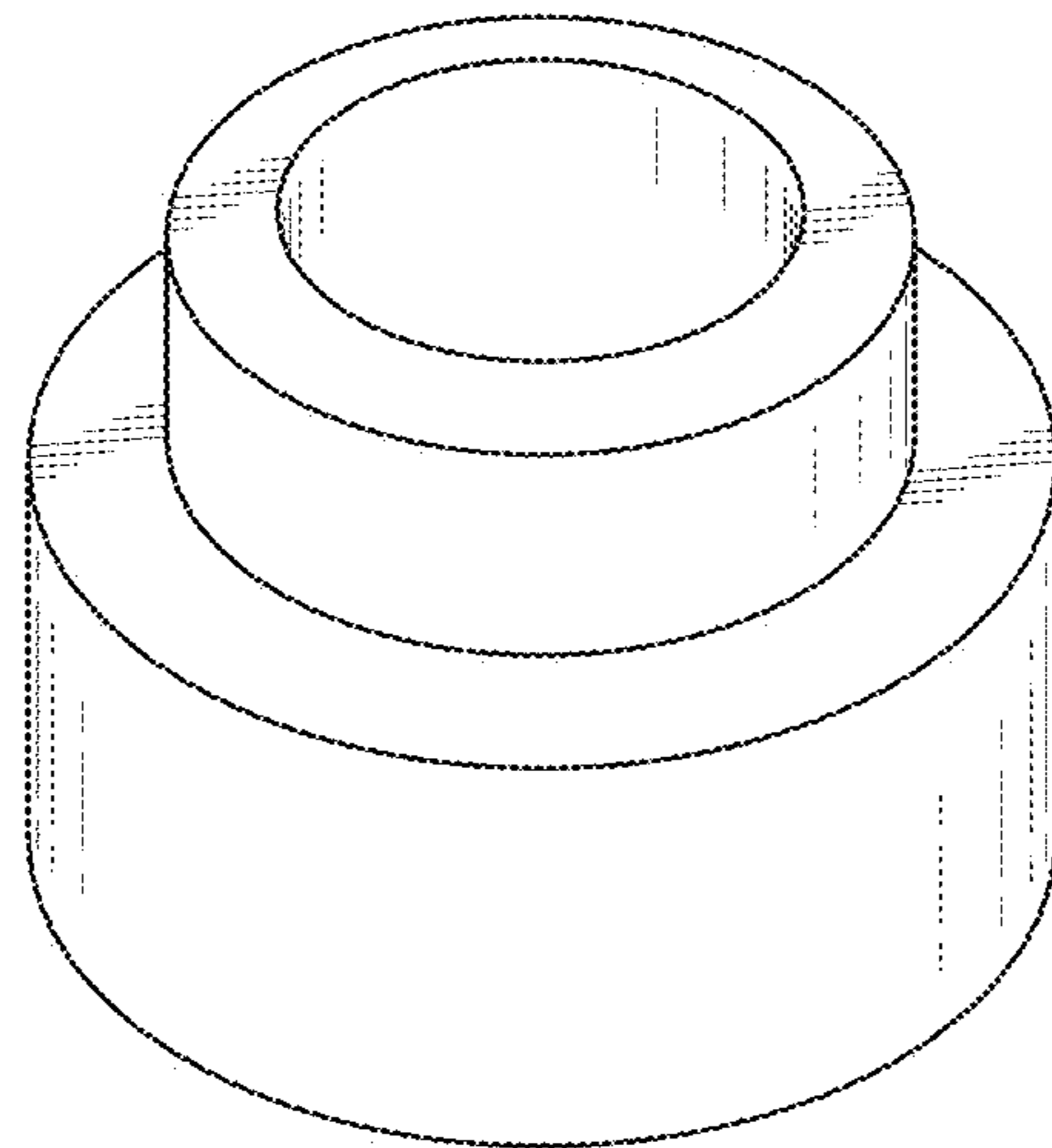


FIG. 1

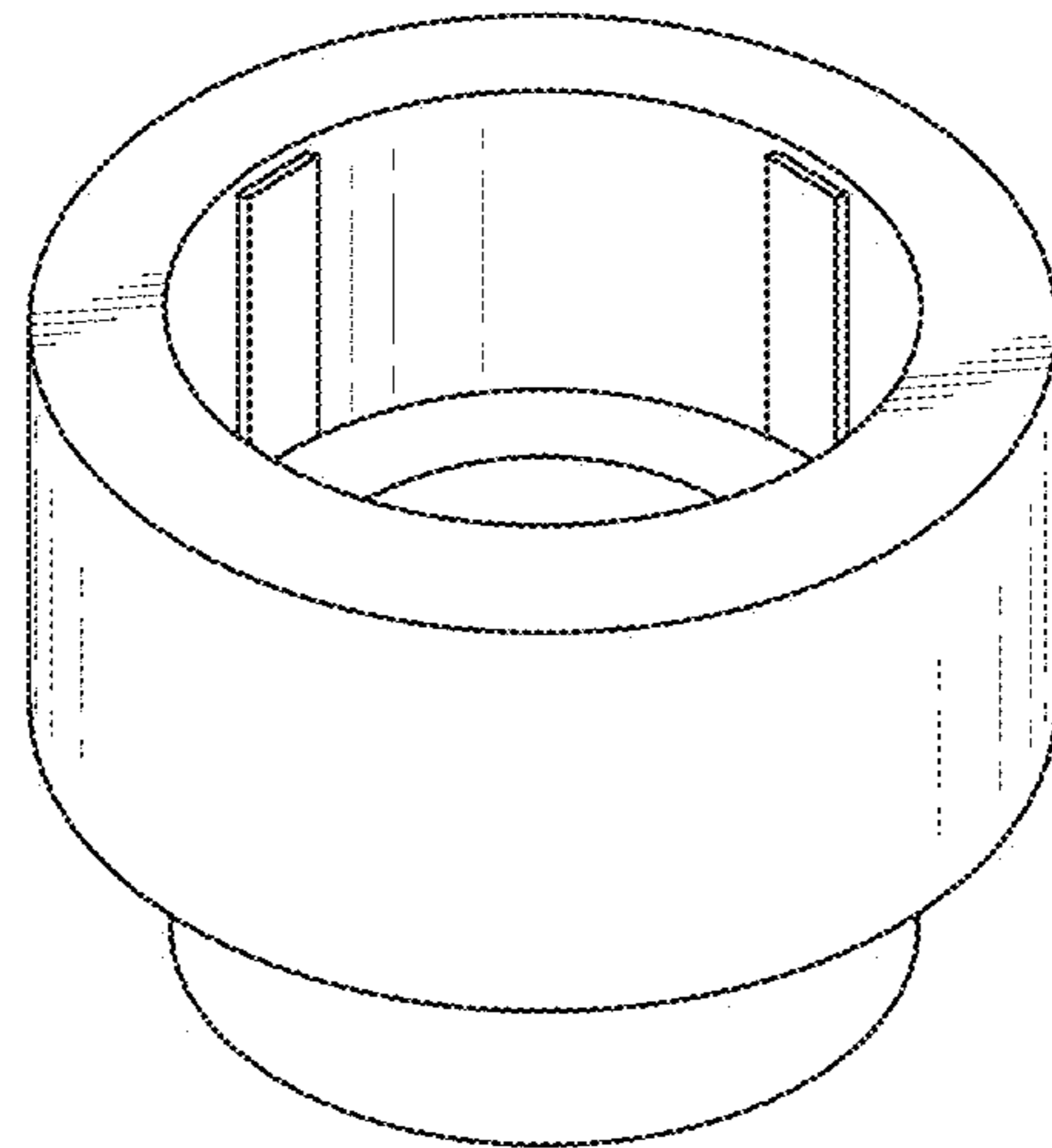


FIG. 2

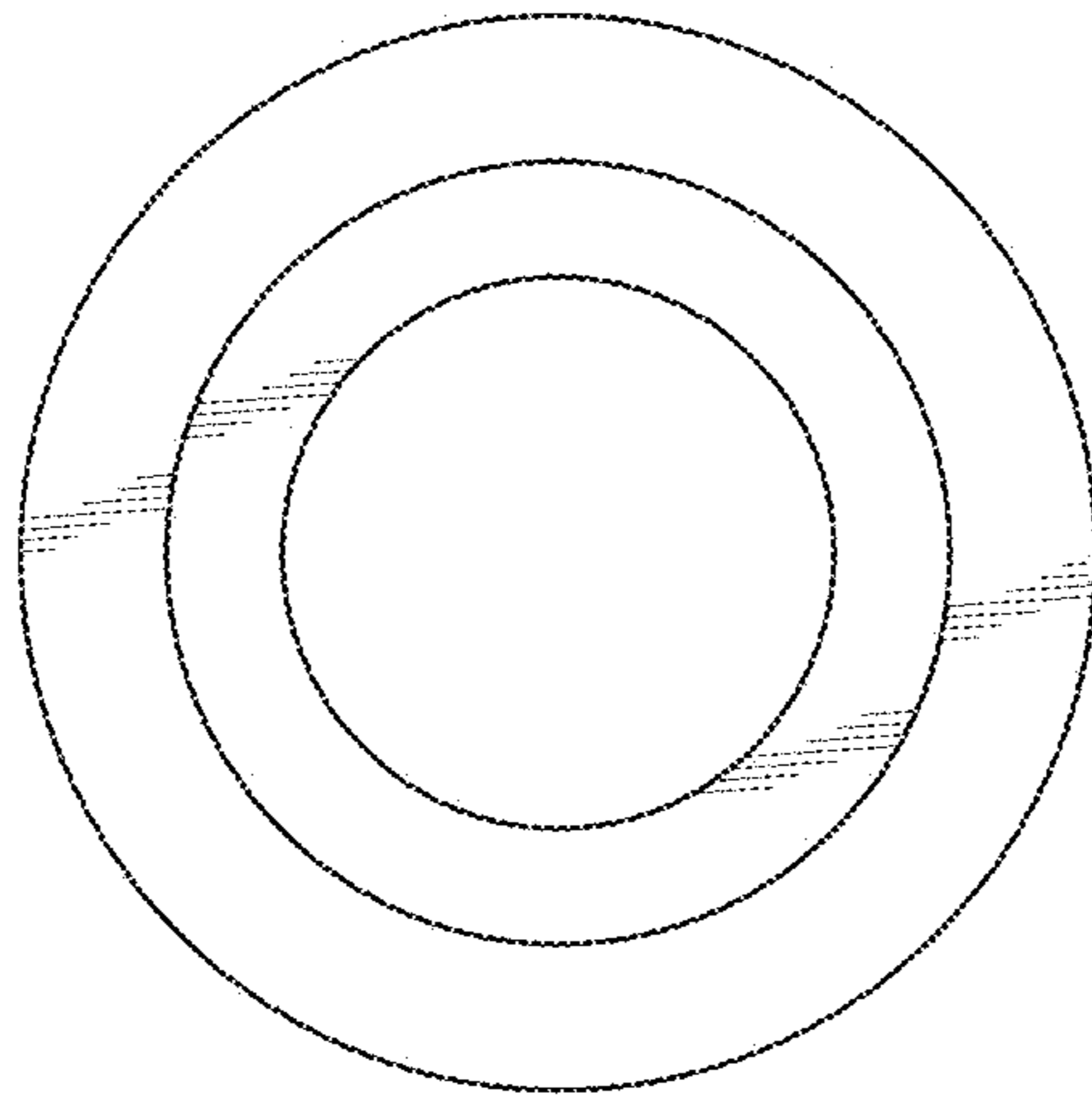


FIG. 3

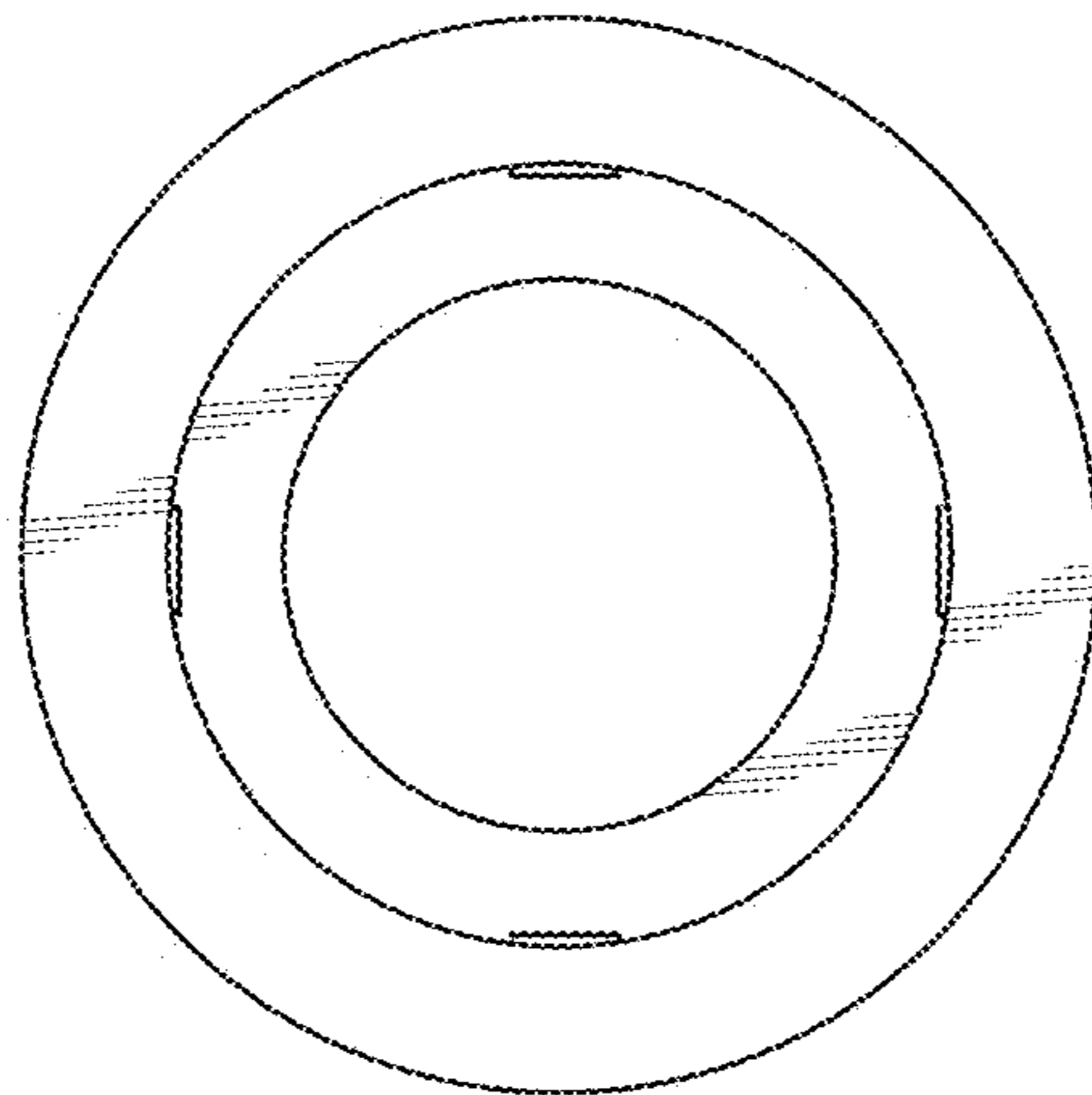


FIG. 4

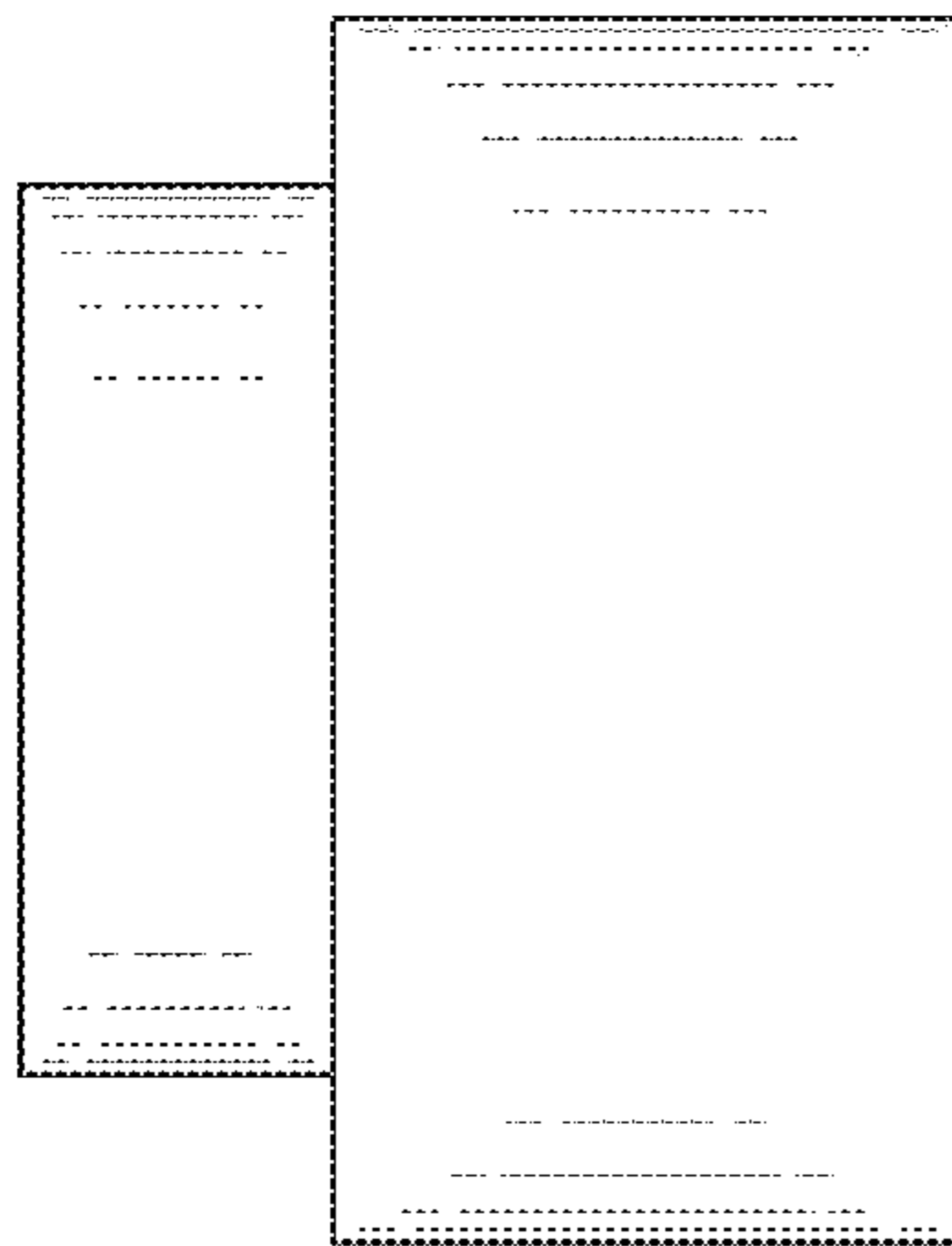


FIG. 5

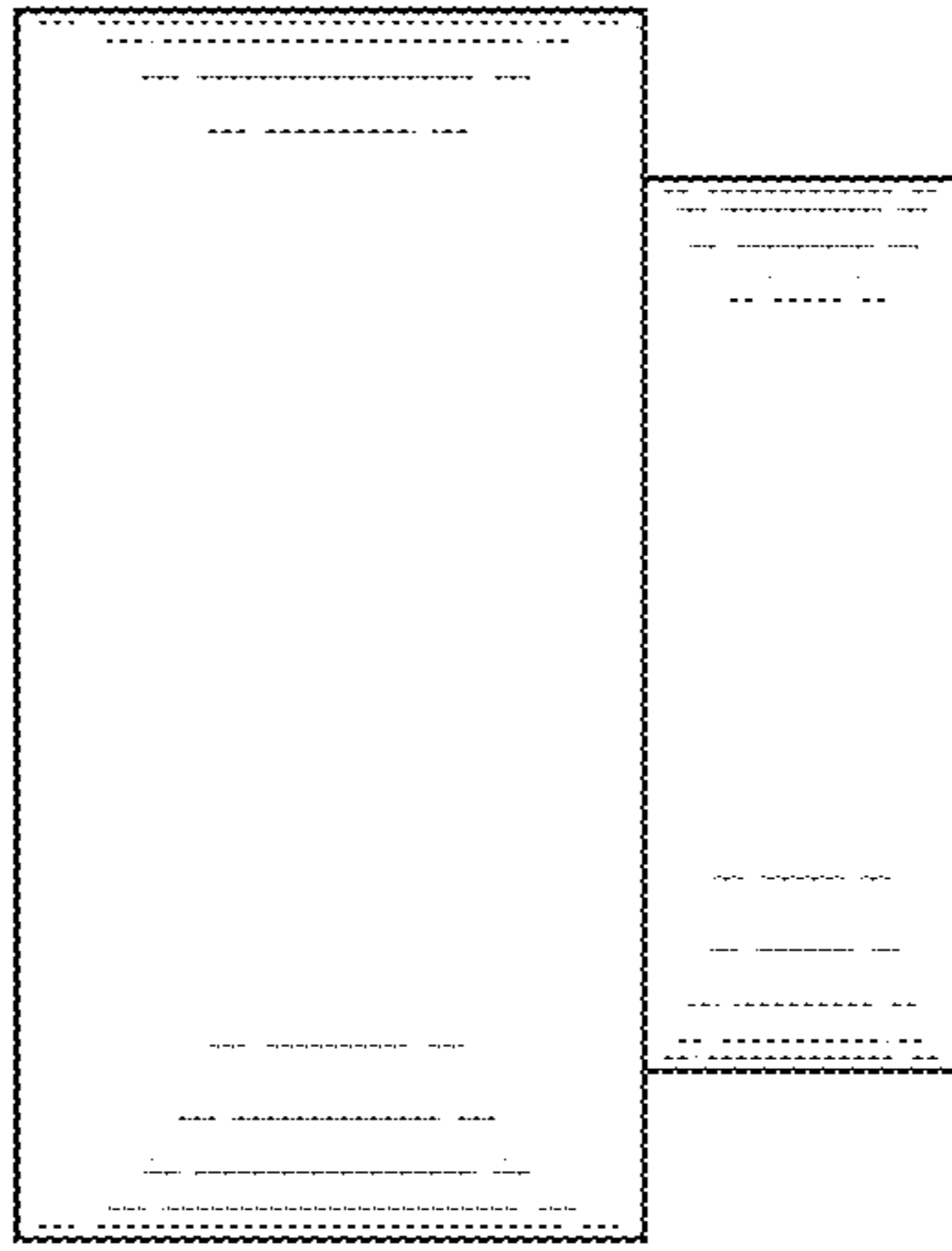


FIG. 6

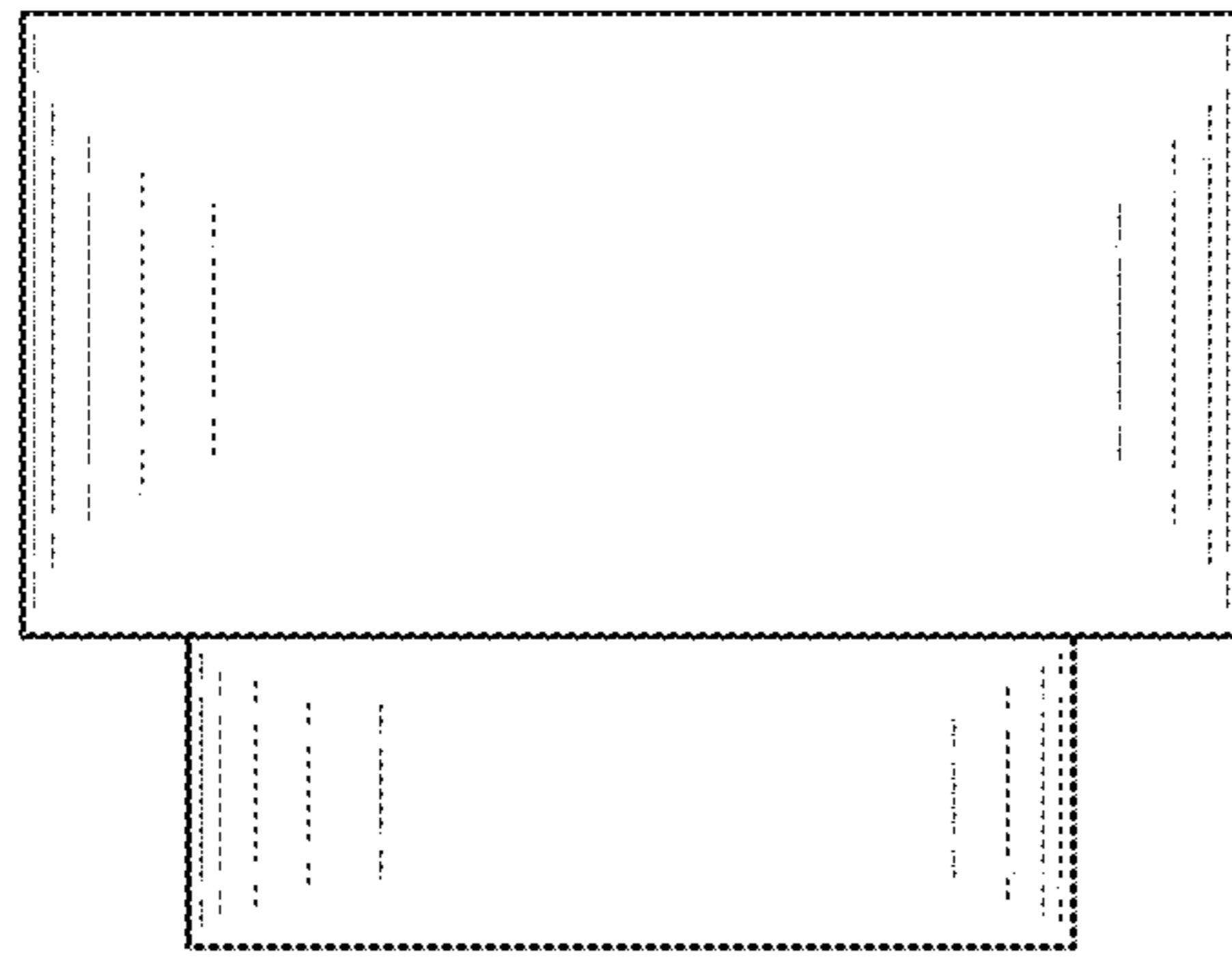


FIG. 7



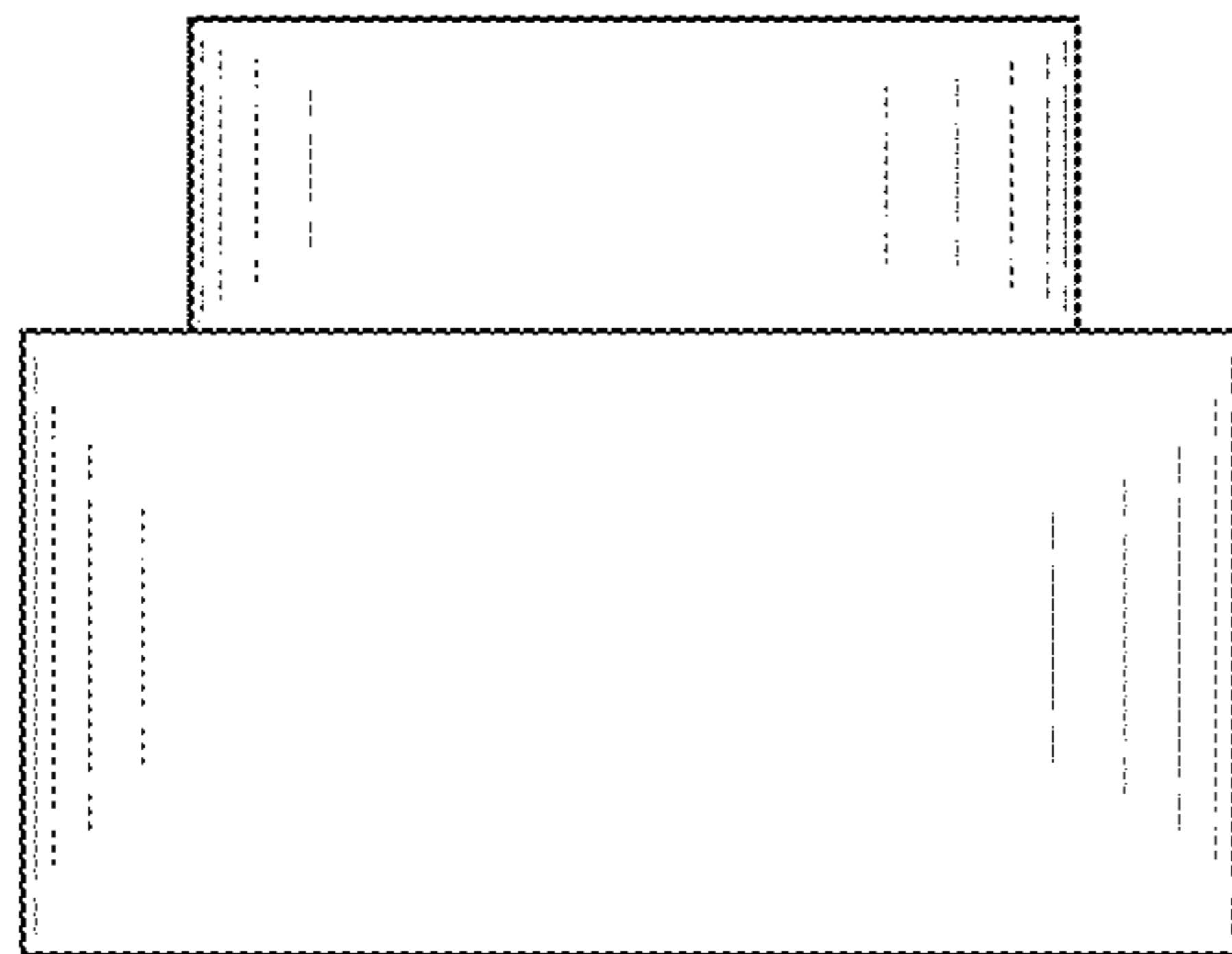


FIG. 8