



US00D891530S

(12) **United States Design Patent**
Strauss et al.

(10) **Patent No.:** **US D891,530 S**
(45) **Date of Patent:** **** Jul. 28, 2020**

- (54) **STACKABLE CUBE PUZZLE**
- (71) Applicants: **Ted Strauss**, San Rafael, CA (US);
Edwin Berlin, Oakland, CA (US)
- (72) Inventors: **Ted Strauss**, San Rafael, CA (US);
Edwin Berlin, Oakland, CA (US)
- (**) Term: **15 Years**
- (21) Appl. No.: **29/672,024**
- (22) Filed: **Dec. 2, 2018**
- (51) **LOC (12) Cl.** **21-01**
- (52) **U.S. Cl.**
USPC **D21/478**; D21/479; D21/471; D21/340
- (58) **Field of Classification Search**
USPC D21/300, 336, 338, 340, 324, 333, 385,
D21/405, 475, 499, 500, 468, 470, 471,
D21/478, 479, 480; 273/153 R, 156,
273/157 R, 153 S, 241, 276, 283; 446/69,
446/85, 117, 124, 125
CPC A63F 9/0073; A63F 9/0078; A63F 9/06;
A63F 9/08; A63F 9/12; A63F 9/1204;
A63F 9/1208; A63F 9/1252; A63F
9/1288; A63F 2009/1083; A63F
2009/1224; A63F 2009/1228; A63F
2009/1232; A63F 2009/1236; A63F
2009/1256-1264; A63F 2009/128; A63F
2009/1292; A63H 33/08; A63H 33/088
See application file for complete search history.

- (56) **References Cited**
U.S. PATENT DOCUMENTS
D29,400 S * 9/1898 Schieffelin D21/340
D31,265 S * 7/1899 Skinner D21/340
907,203 A * 12/1908 Walker A63F 9/10
273/157 R
1,886,109 A * 11/1932 Lenfant A24F 19/00
220/4.27

- 2,610,856 A * 9/1952 Welty A63F 9/12
273/160
- D217,975 S * 7/1970 Pruett D21/336
- 3,565,443 A * 2/1971 Burton A63F 9/12
273/157 R
- 3,638,949 A 2/1972 Thompson
- 3,785,651 A * 1/1974 Smith A63F 9/0078
273/113
- D250,286 S * 11/1978 Zelenko D21/340
- 4,373,729 A * 2/1983 Hanson A63F 9/083
273/153 S
- D272,842 S * 2/1984 Matsumoto D21/478
- D274,074 S * 5/1984 Brunko 273/155
- 4,509,753 A * 4/1985 Vaughan, Jr. A63F 7/042
273/110

(Continued)

FOREIGN PATENT DOCUMENTS

- DE 2135553 A1 * 1/1973 A63F 9/0811
- DE 3119875 A1 * 12/1982 A63F 9/08

(Continued)

Primary Examiner — Catherine A Tuttle
(74) *Attorney, Agent, or Firm* — Ross Brandborg

(57) **CLAIM**

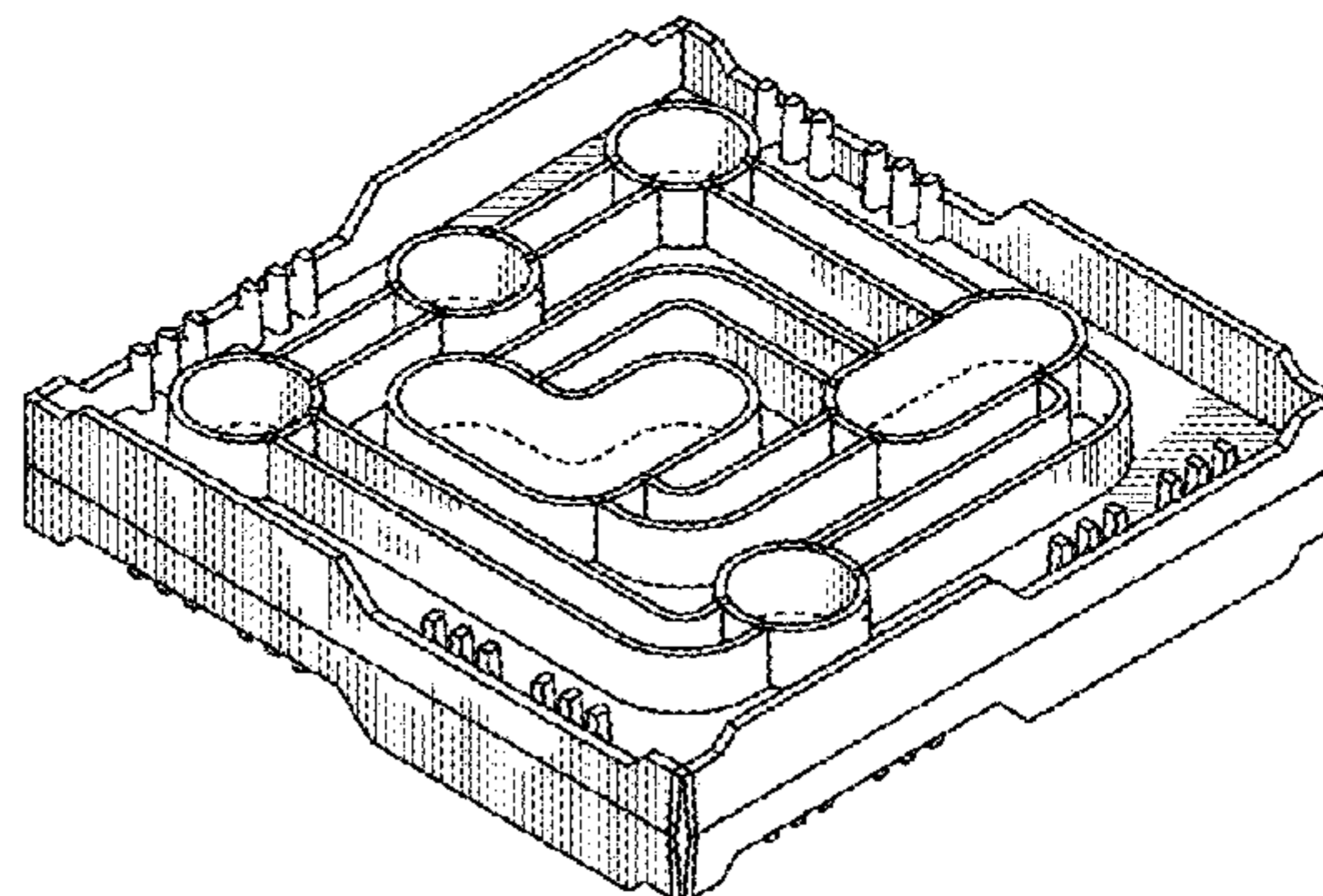
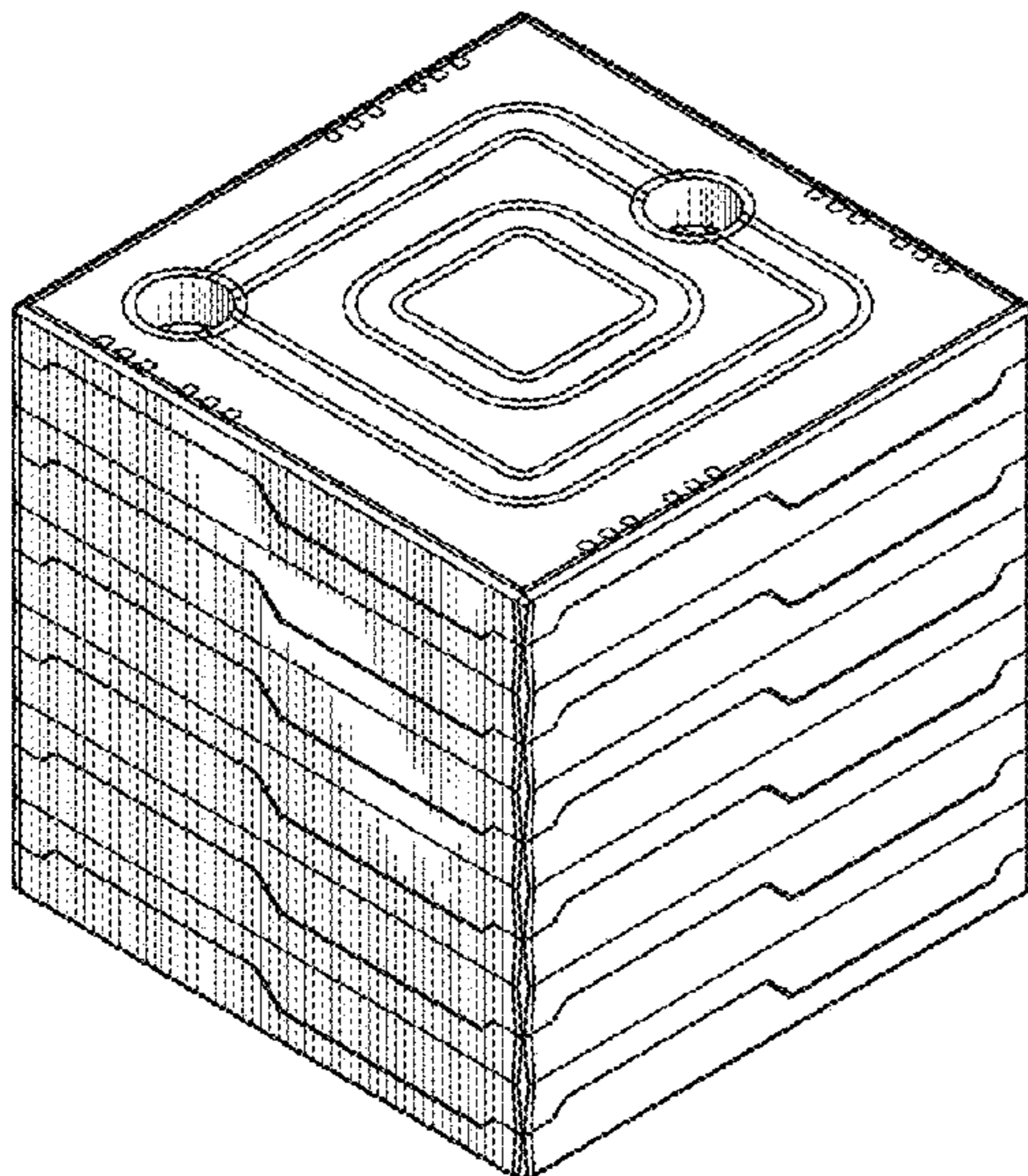
The ornamental design for a stackable cube puzzle, as shown and described.

DESCRIPTION

FIG. 1 is an isometric view of the stackable puzzle cube showing our new design in its assembled state; FIGS. 2-6 are isometric views showing each of the five middle sections of the puzzle; FIG. 7 is an isometric view showing the top piece of the puzzle, rotated 90° clockwise from FIG. 1; and, FIG. 8 is an isometric view showing the bottom piece of the puzzle.

The dashed lines shown in FIGS. 2-6 are included for the purpose of illustrating portions of the stackable cube puzzle that form no part of the claimed design.

1 Claim, 8 Drawing Sheets



(56)

References Cited

U.S. PATENT DOCUMENTS

4,696,476 A * 9/1987 Eplett A63F 3/00214
273/241
5,145,177 A * 9/1992 Wells A63F 9/12
273/156
D350,994 S * 9/1994 Conotter D21/478
D353,416 S * 12/1994 Gazlay D21/479
5,494,292 A * 2/1996 Miletì A63F 7/042
273/110
5,558,331 A * 9/1996 Zlotsky A63F 9/12
273/156
D412,541 S 8/1999 Tam
D491,235 S 6/2004 Fang
D599,416 S * 9/2009 Turco-Rivas D21/471

FOREIGN PATENT DOCUMENTS

DE 29609640 U1 * 11/1996 A63F 9/12
DE 29800895 U1 * 3/1998 A63F 9/12
FR 1290228 A * 4/1962 A63F 9/0811
WO WO-0030728 A1 * 6/2000 A63F 9/1204

* cited by examiner

Fig. 1

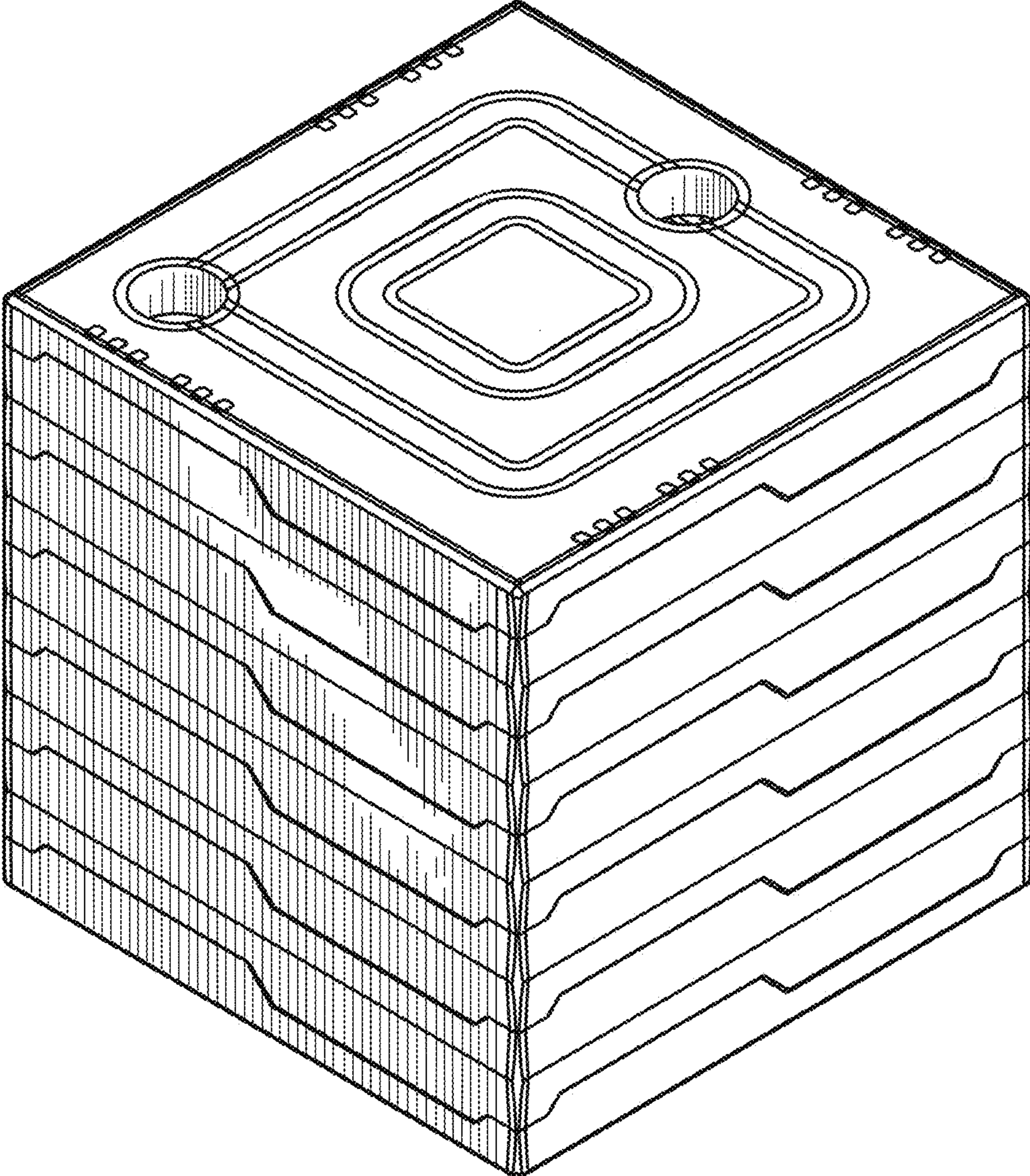


Fig. 2

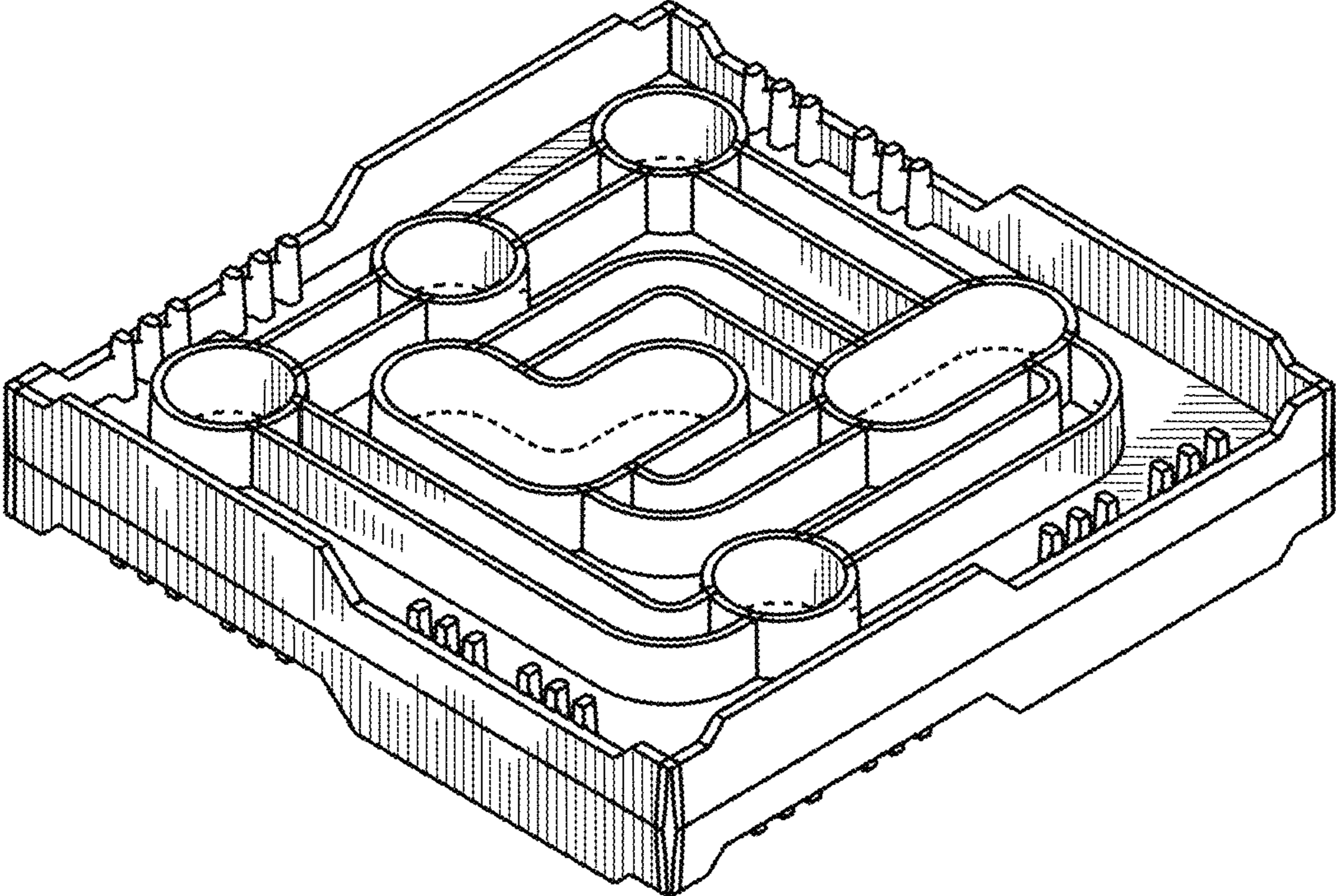


Fig. 3

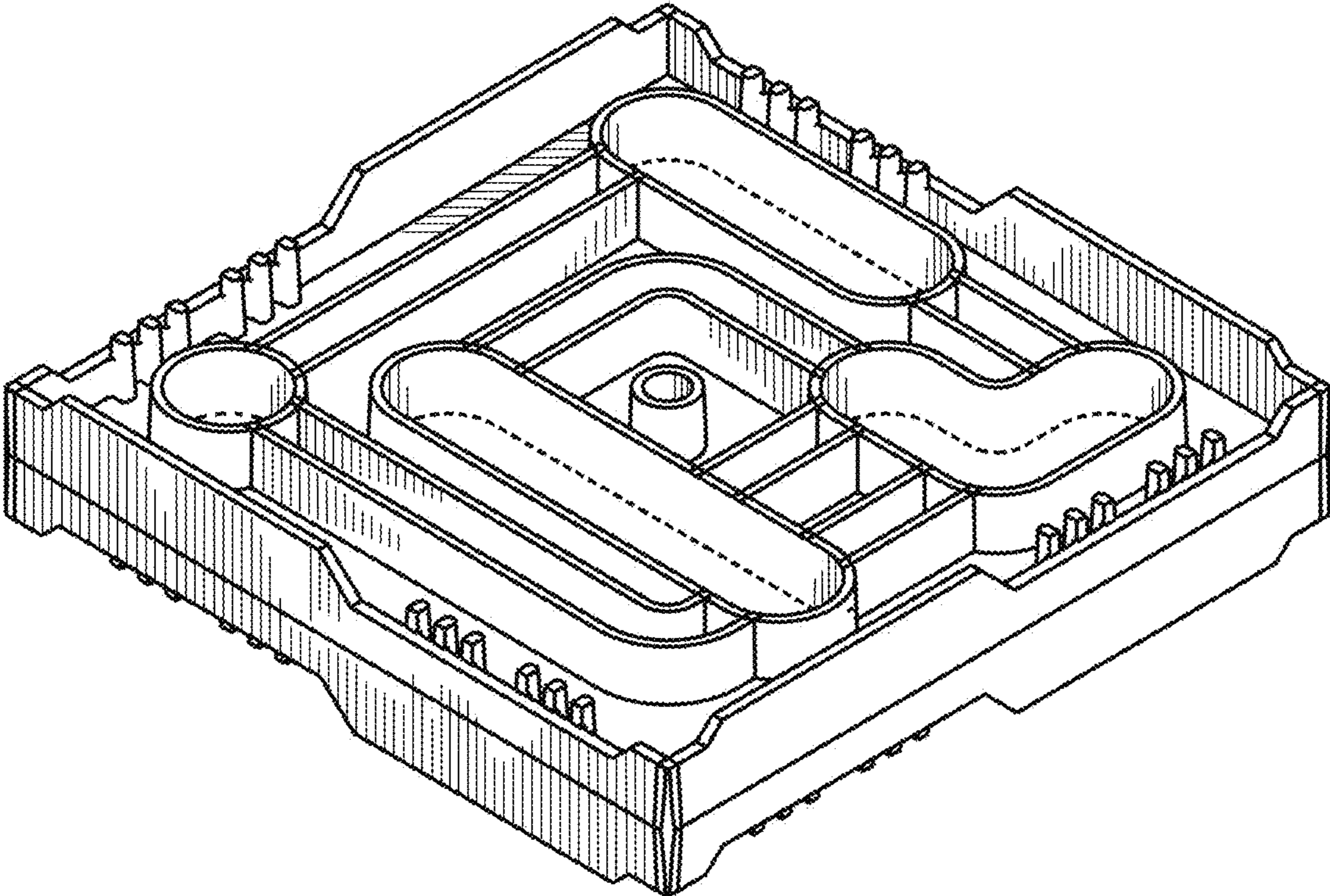


Fig. 4

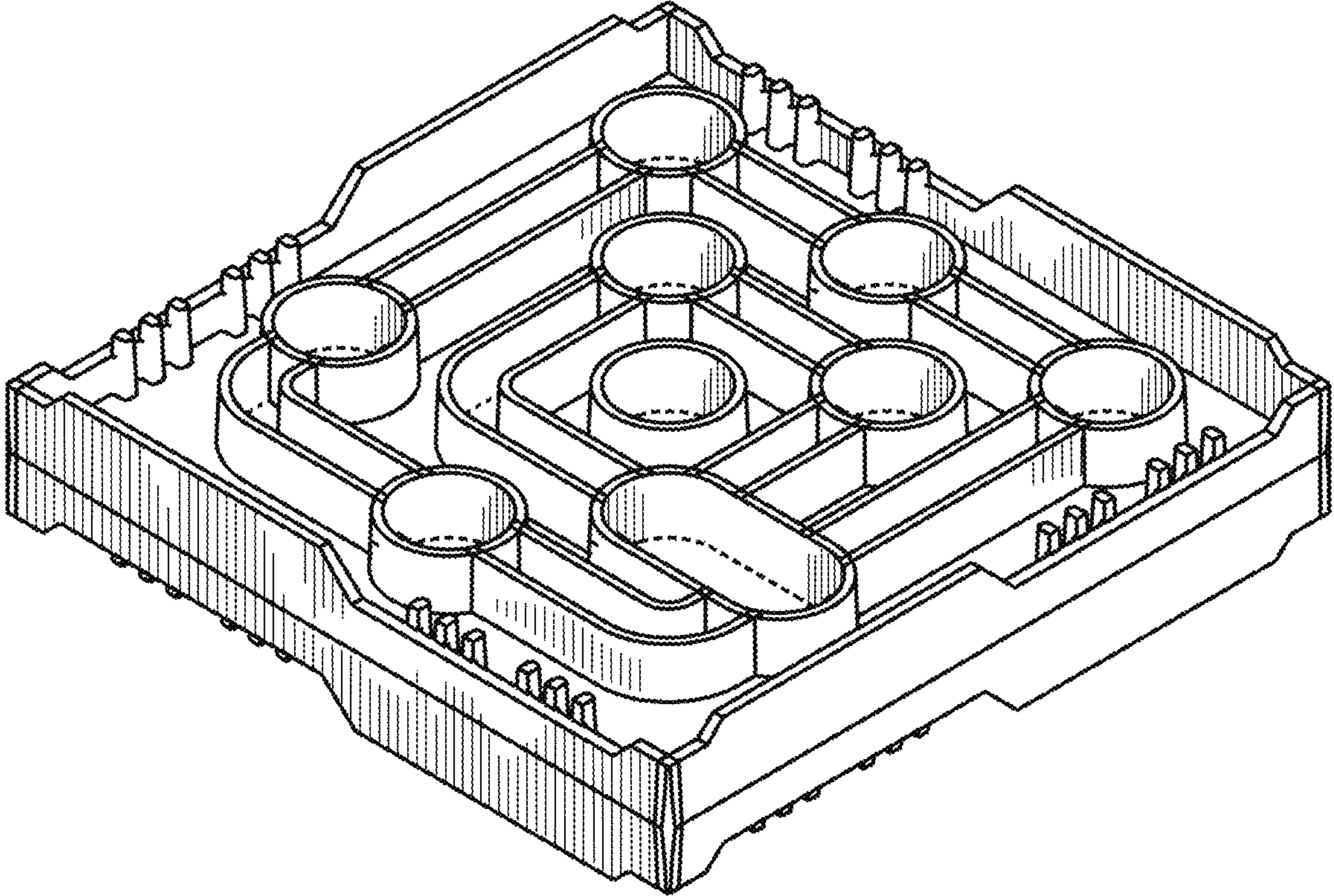


Fig 5

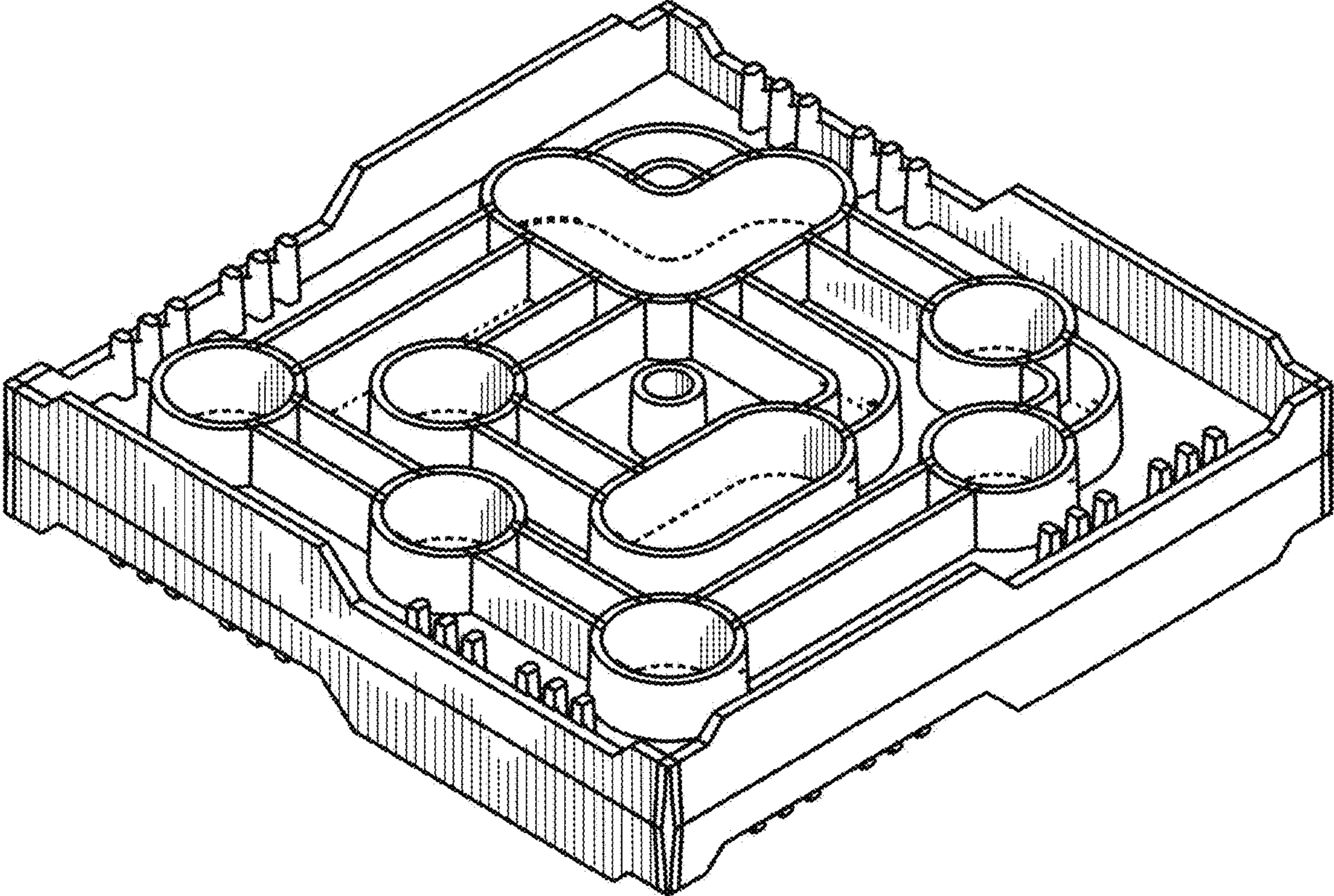


Fig. 6

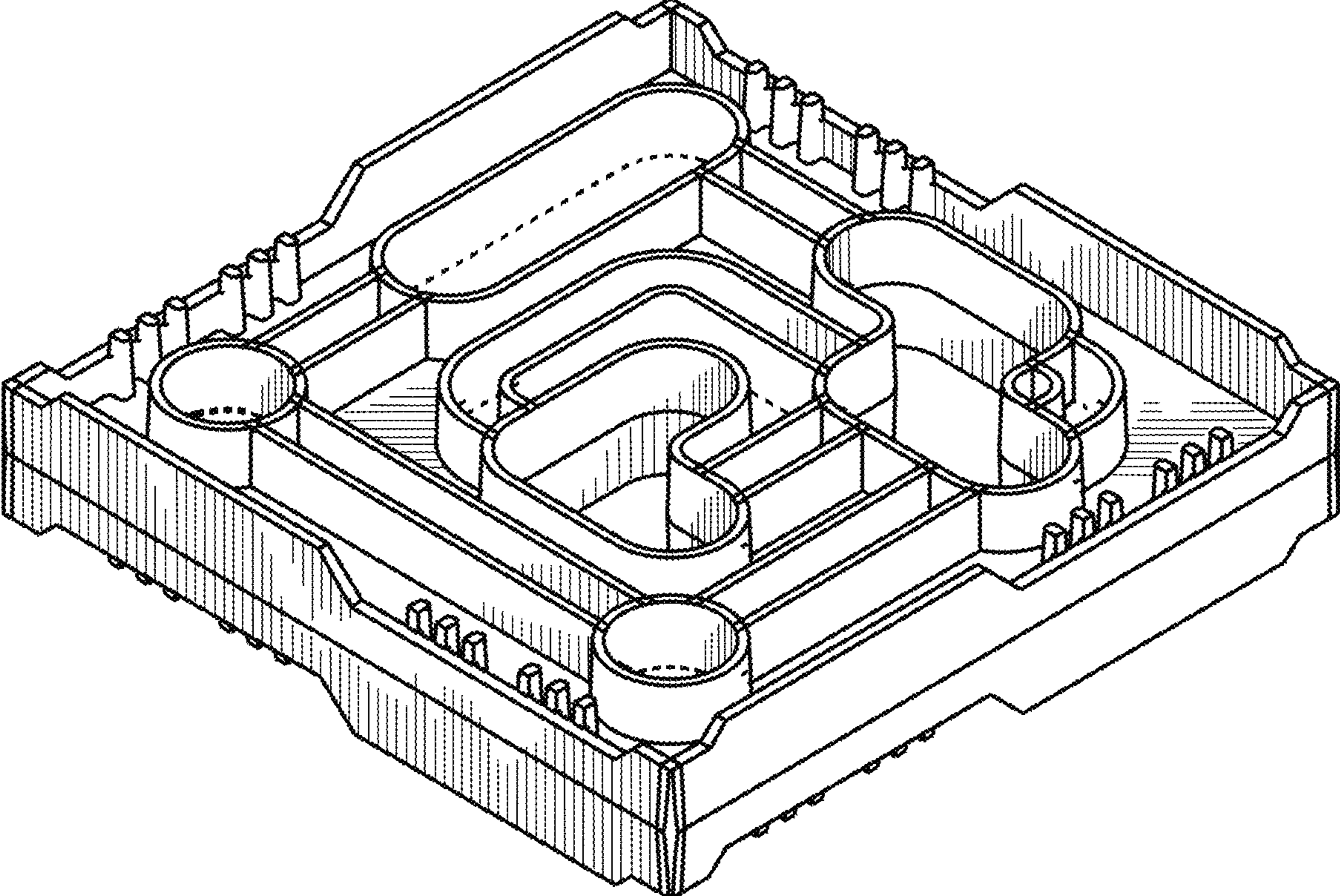


Fig. 7

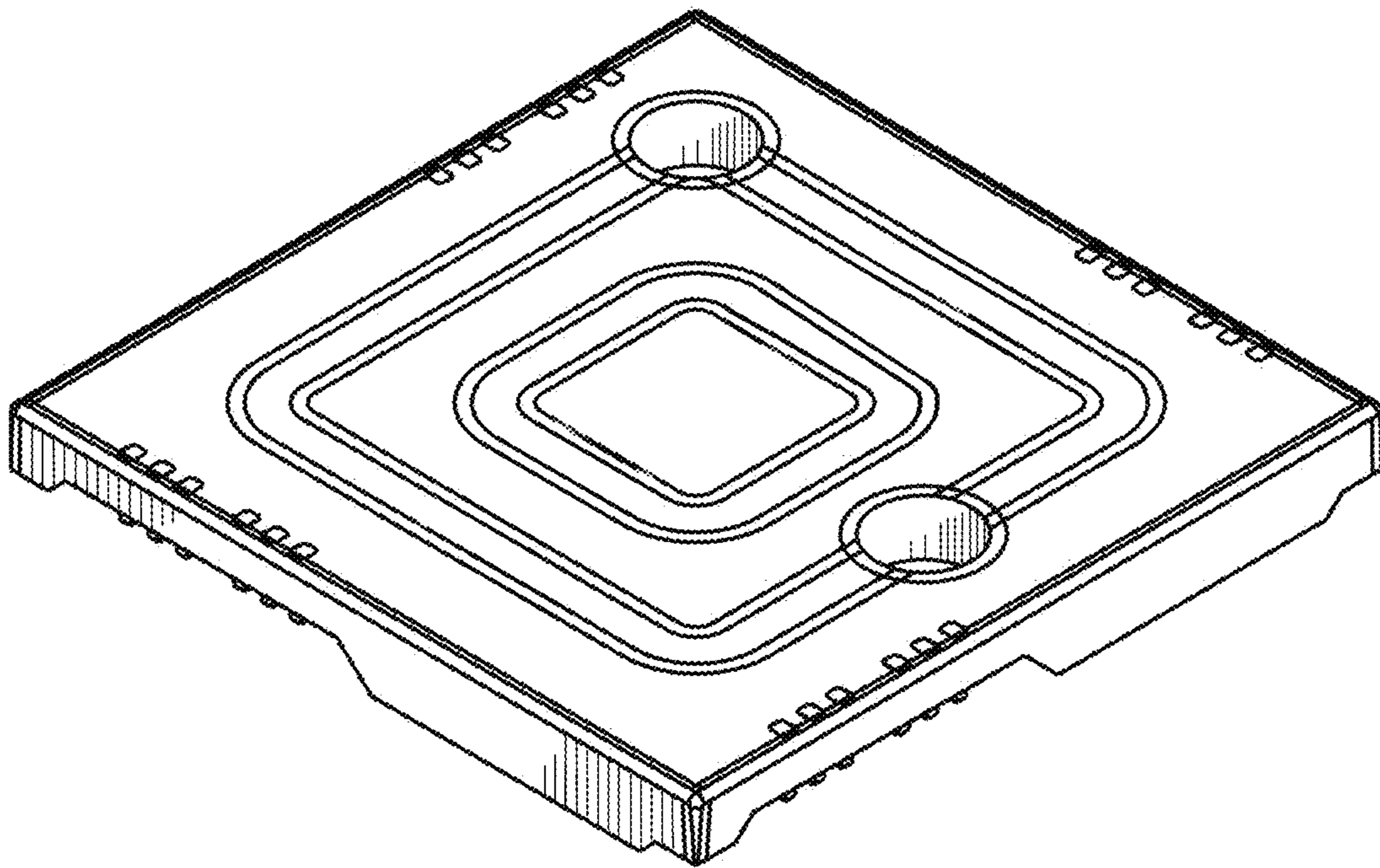


Fig 8

