



US00D891528S

(12) **United States Design Patent**  
**Hama et al.**

(10) **Patent No.:** **US D891,528 S**

(45) **Date of Patent:** **\*\* Jul. 28, 2020**

(54) **SPINNING TOP TOY**

(71) Applicant: **TOMY COMPANY, LTD.**, Tokyo (JP)

(72) Inventors: **Hiroyuki Hama**, Tokyo (JP); **Asami Oba**, Tokyo (JP); **Toshinobu Ishii**, Saitama (JP)

(73) Assignee: **TOMY COMPANY, LTD.**, Tokyo (JP)

(\*\*) Term: **15 Years**

(21) Appl. No.: **29/688,281**

(22) Filed: **Apr. 19, 2019**

(30) **Foreign Application Priority Data**

Oct. 22, 2018 (JP) ..... 2018-023128

(51) **LOC (12) Cl.** ..... **21-01**

(52) **U.S. Cl.**  
USPC ..... **D21/460**

(58) **Field of Classification Search**  
USPC ..... D21/455-464; 446/236-266  
CPC ..... A63H 1/00-32  
See application file for complete search history.

(56) **References Cited**

**U.S. PATENT DOCUMENTS**

|              |         |           |       |         |
|--------------|---------|-----------|-------|---------|
| D825,007 S * | 8/2018  | Muraki    | ..... | D21/460 |
| D825,671 S * | 8/2018  | Horikoshi | ..... | D21/460 |
| D825,673 S * | 8/2018  | Matsukawa | ..... | D21/460 |
| D827,043 S * | 8/2018  | Muraki    | ..... | D21/460 |
| D827,044 S * | 8/2018  | Horikoshi | ..... | D21/460 |
| D834,101 S * | 11/2018 | Horikoshi | ..... | D21/460 |
| D834,103 S * | 11/2018 | Horikoshi | ..... | D21/460 |
| D835,208 S * | 12/2018 | Horikoshi | ..... | D21/460 |
| D835,724 S * | 12/2018 | Muraki    | ..... | D21/460 |

|              |         |           |       |         |
|--------------|---------|-----------|-------|---------|
| D841,098 S * | 2/2019  | Narita    | ..... | D21/460 |
| D843,489 S * | 3/2019  | Horikoshi | ..... | D21/460 |
| D844,069 S * | 3/2019  | Horikawa  | ..... | D21/460 |
| D845,396 S * | 4/2019  | Horikoshi | ..... | D21/460 |
| D854,095 S * | 7/2019  | Narita    | ..... | D21/460 |
| D854,096 S * | 7/2019  | Muraki    | ..... | D21/460 |
| D854,097 S * | 7/2019  | Muraki    | ..... | D21/460 |
| D855,117 S * | 7/2019  | Horikoshi | ..... | D21/460 |
| D857,108 S * | 8/2019  | Horikoshi | ..... | D21/460 |
| D862,604 S * | 10/2019 | Matsukawa | ..... | D21/460 |
| D862,605 S * | 10/2019 | Horikoshi | ..... | D21/460 |

**FOREIGN PATENT DOCUMENTS**

|    |              |         |       |           |
|----|--------------|---------|-------|-----------|
| JP | 6431629 B1 * | 11/2018 | ..... | A63H 1/04 |
| JP | 6593819 B1 * | 10/2019 | ..... | A63H 1/04 |

\* cited by examiner

*Primary Examiner* — Catherine A Tuttle

(74) *Attorney, Agent, or Firm* — Oliff PLC

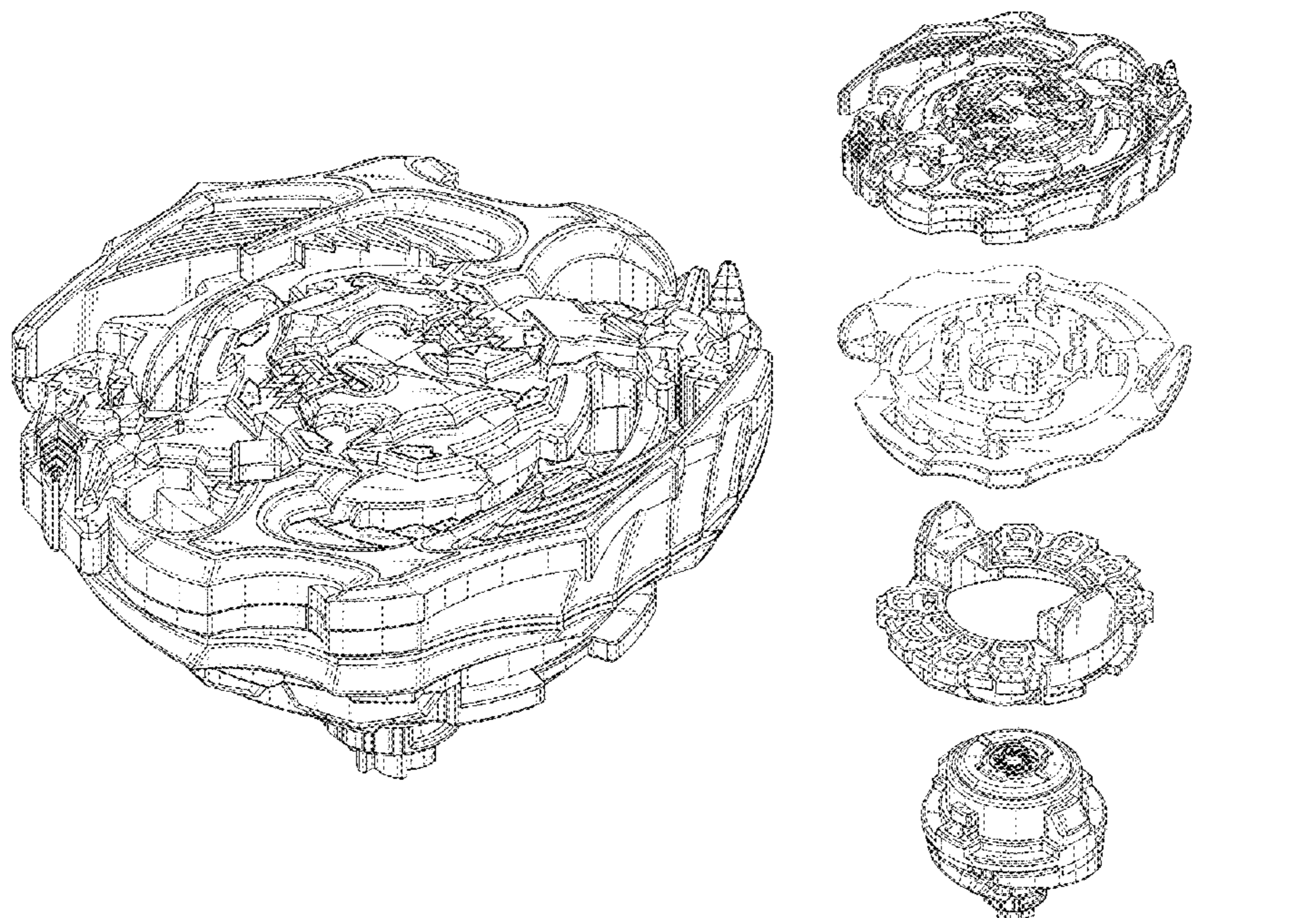
(57) **CLAIM**

The ornamental design for a spinning top toy, as shown and described.

**DESCRIPTION**

FIG. 1 is a front elevational view of the spinning top toy; FIG. 2 is a rear elevational view thereof; FIG. 3 is a left-side elevational view thereof; FIG. 4 is a right-side elevational view thereof; FIG. 5 is a top plan view thereof; FIG. 6 is a bottom plan view thereof; FIG. 7 is a front, top and right side perspective view thereof; FIG. 8 is a disassembled front, top and right side perspective view thereof; and, FIG. 9 is a disassembled rear, bottom and left side perspective view thereof.

**1 Claim, 9 Drawing Sheets**



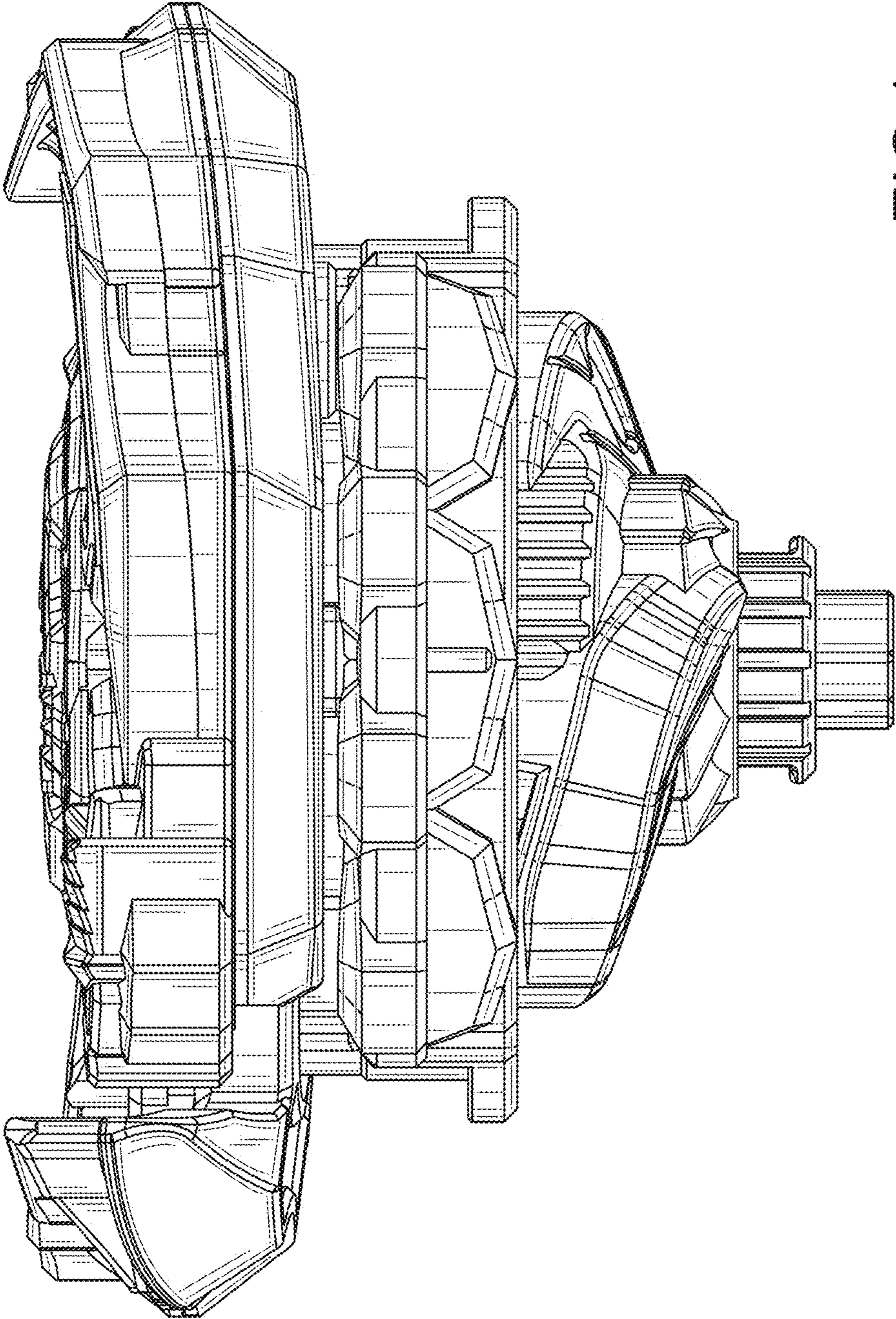


FIG.1

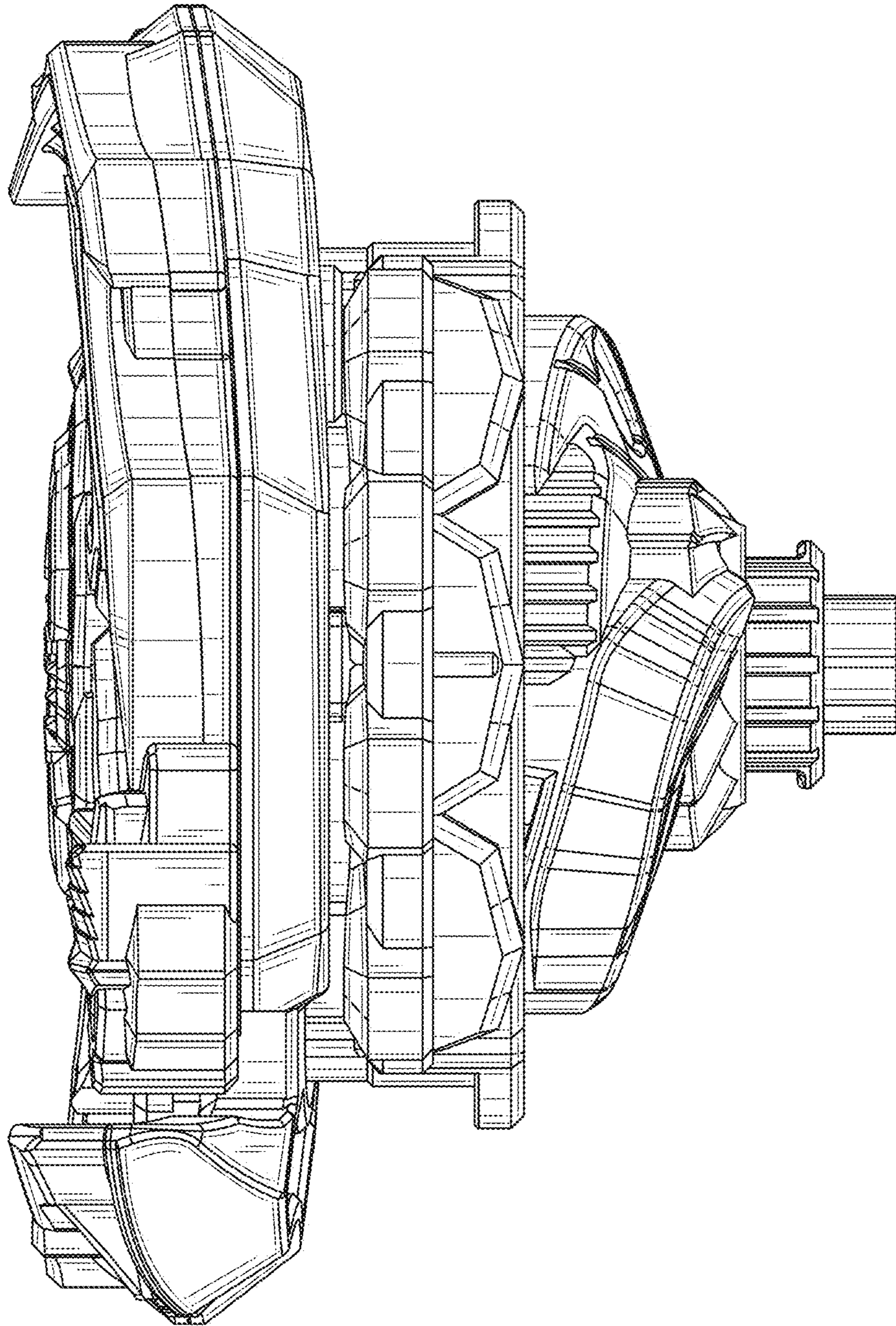


FIG.2

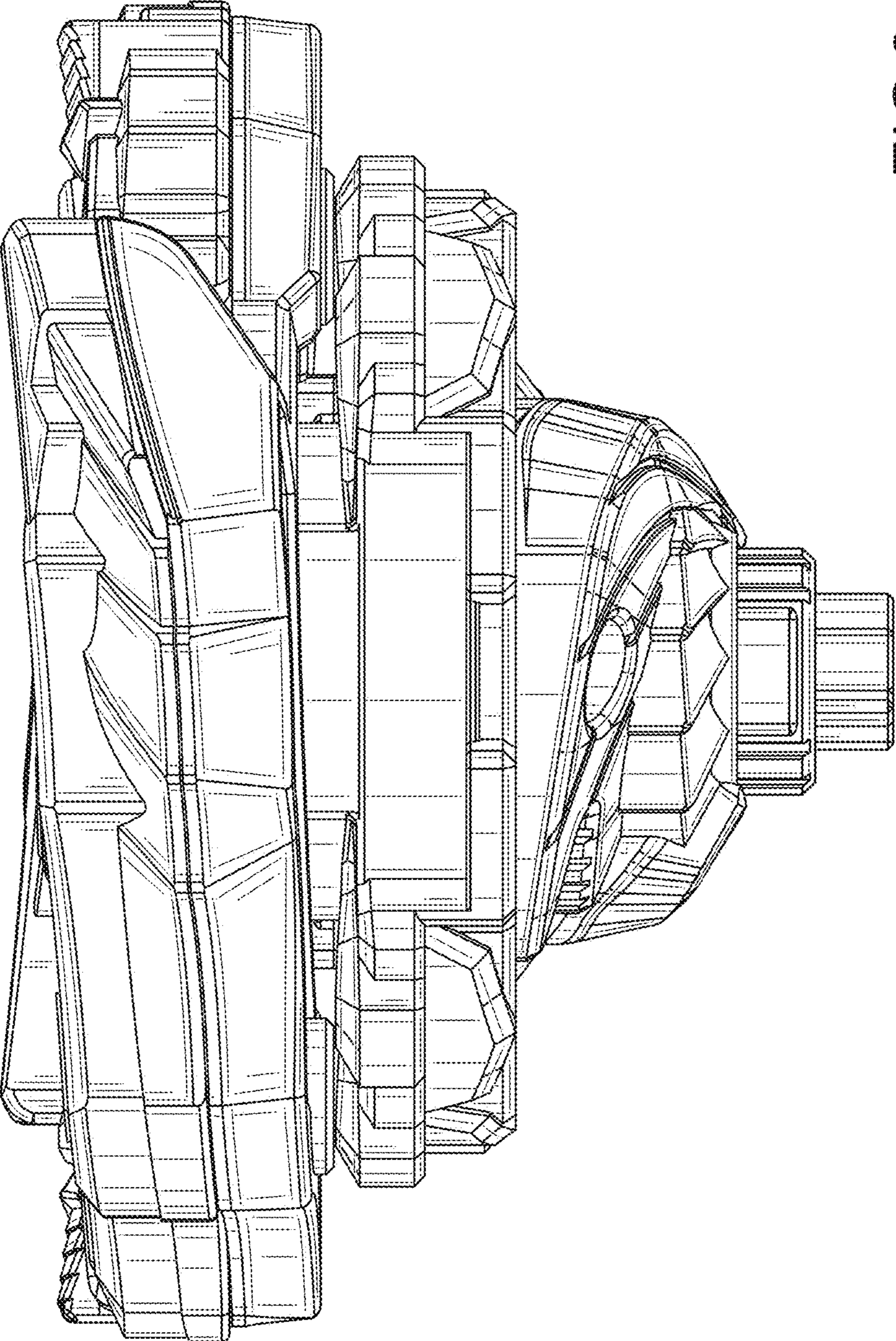


FIG.3

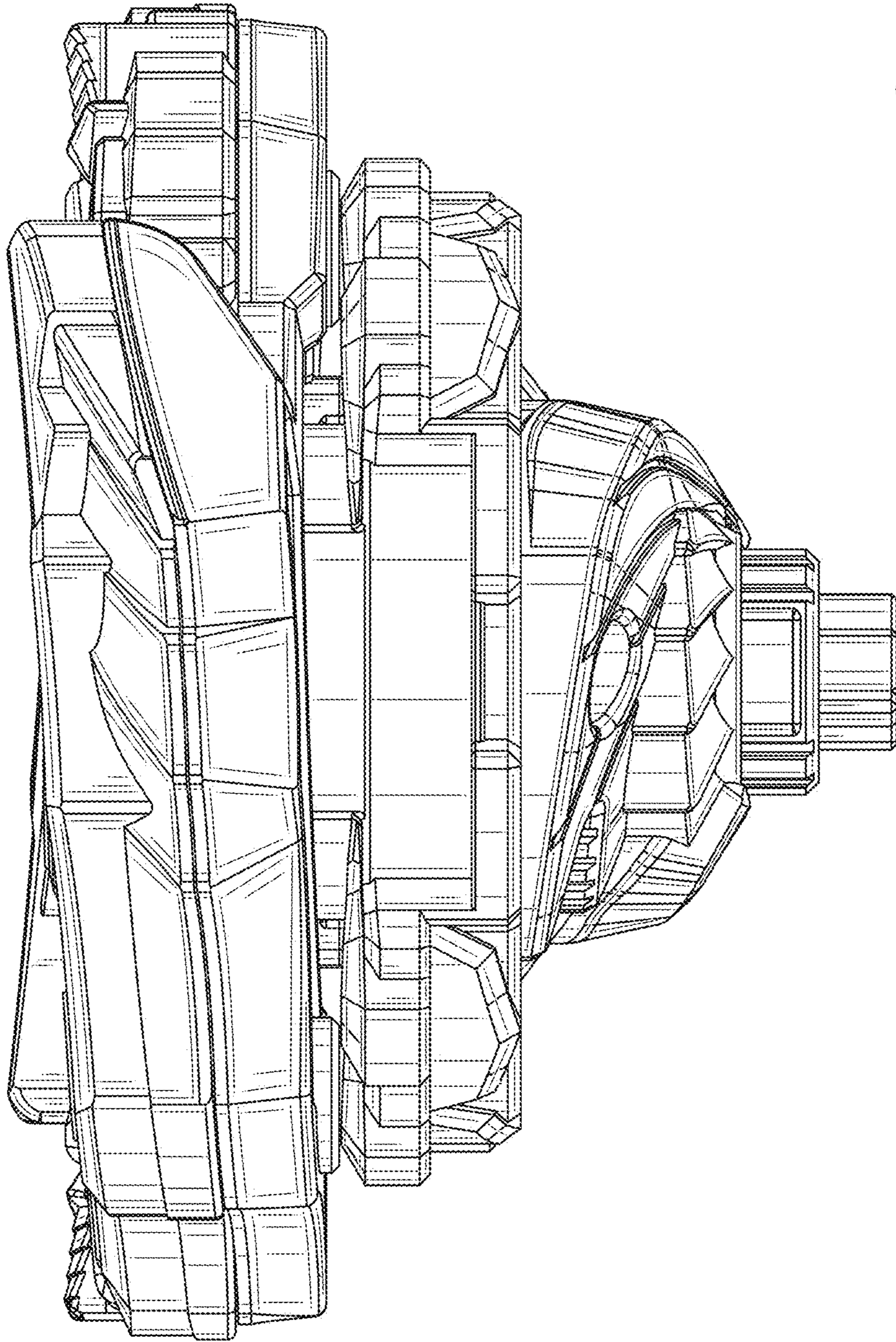


FIG.4

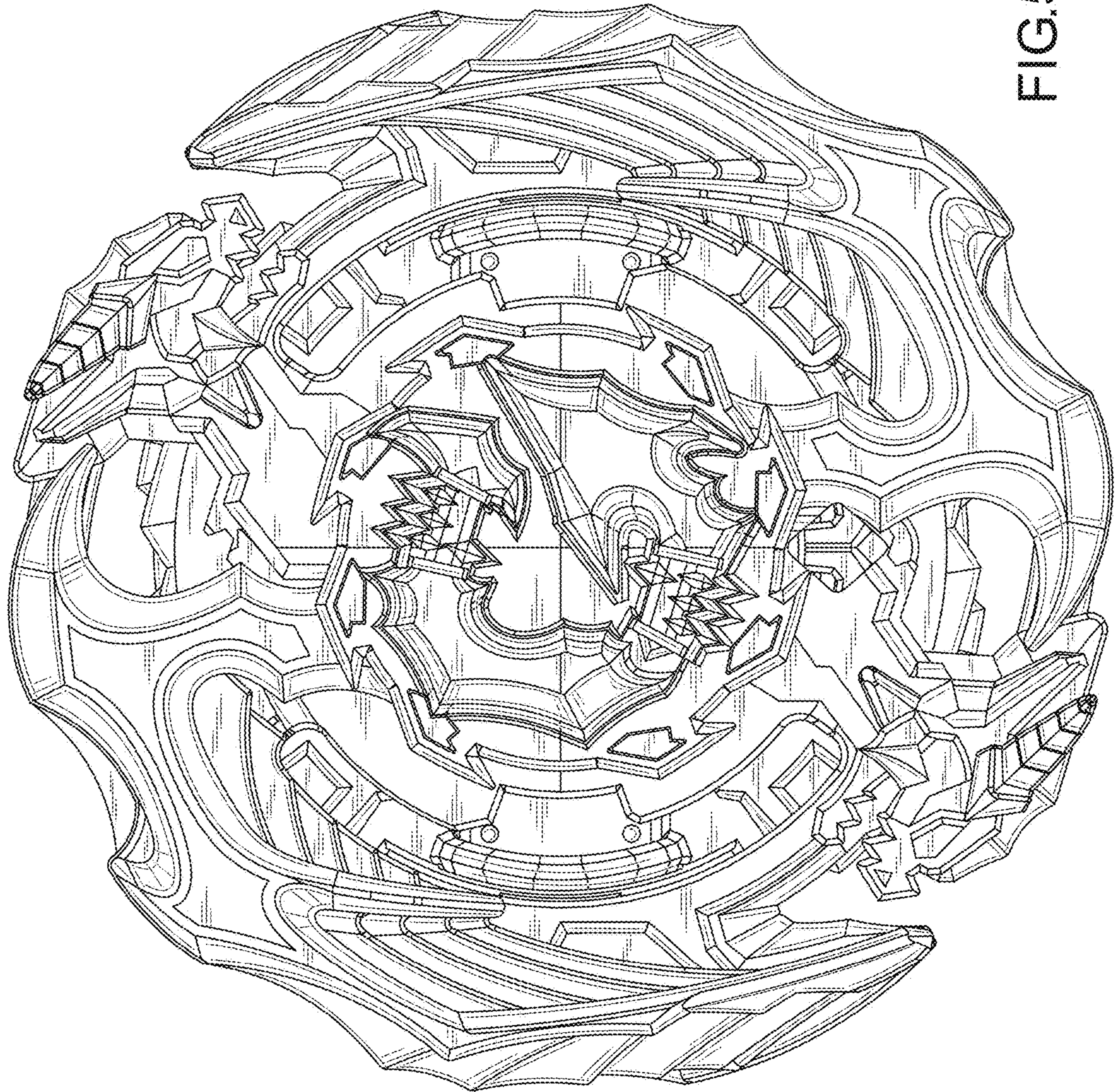


FIG.5

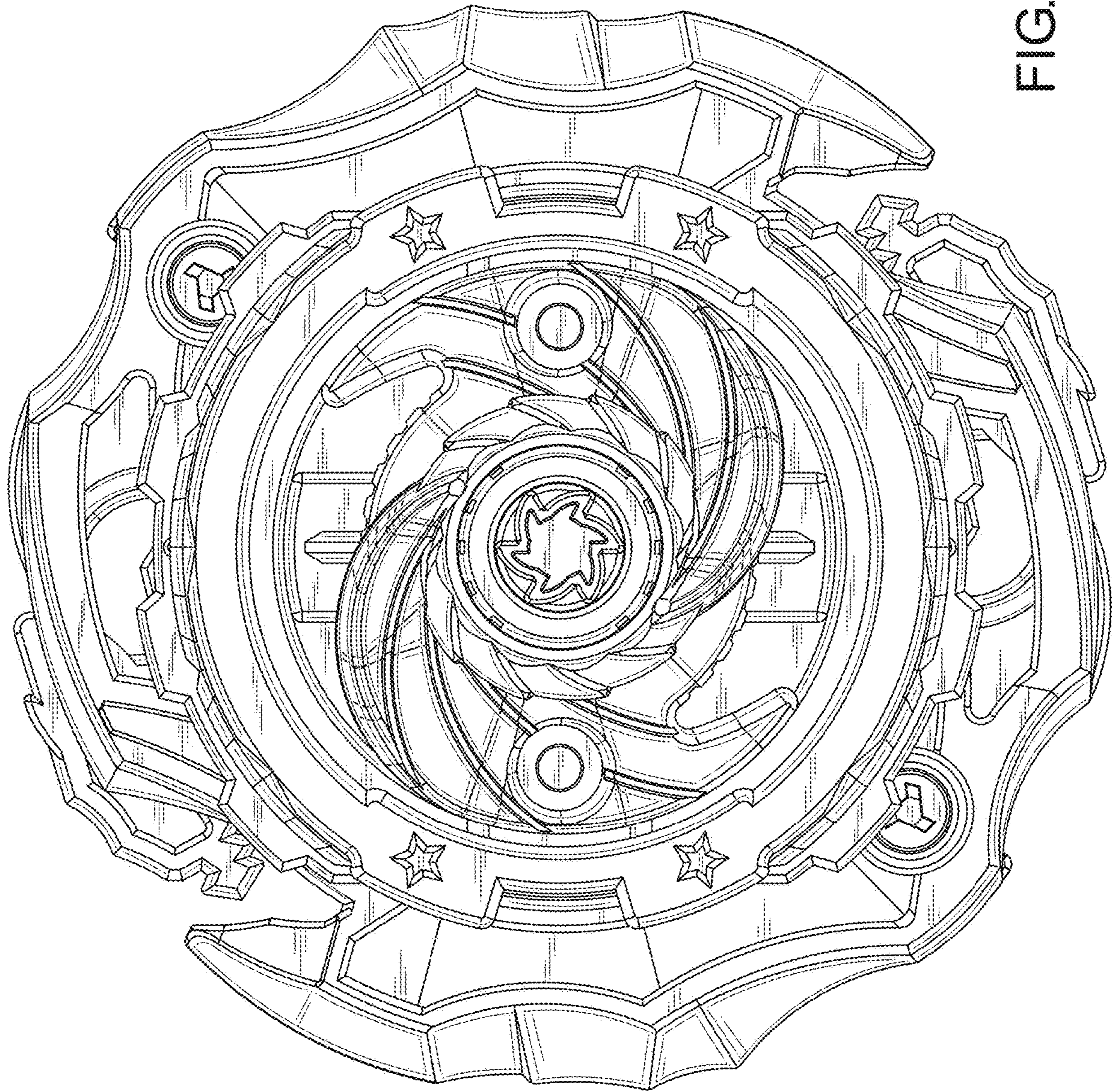


FIG.6

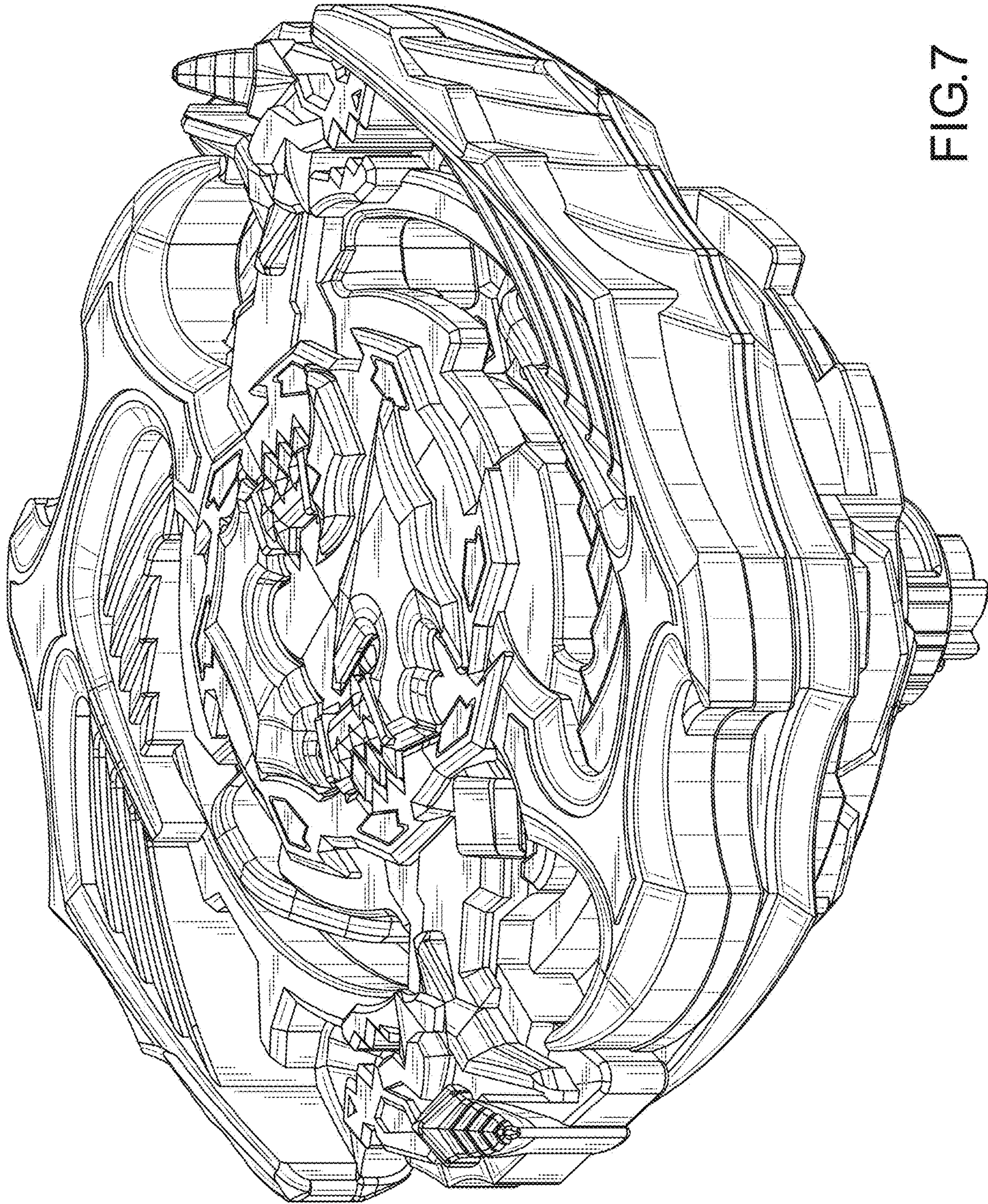


FIG.7



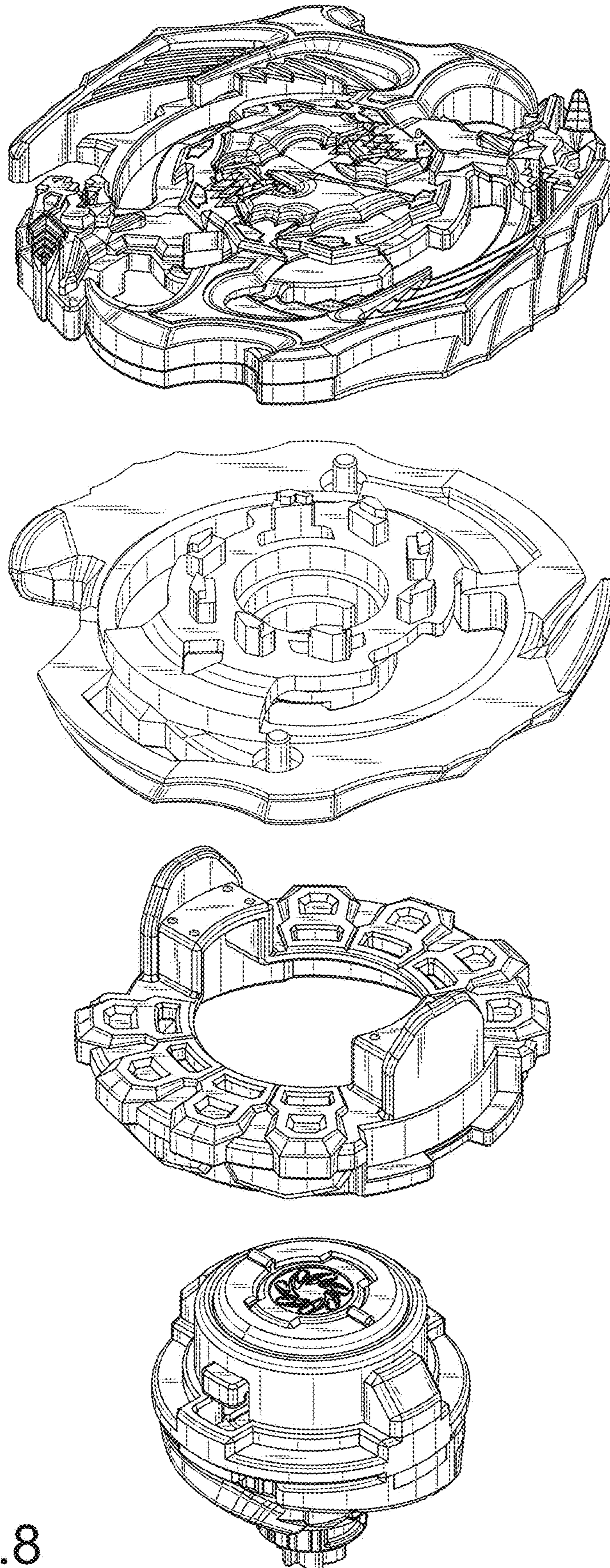


FIG.8

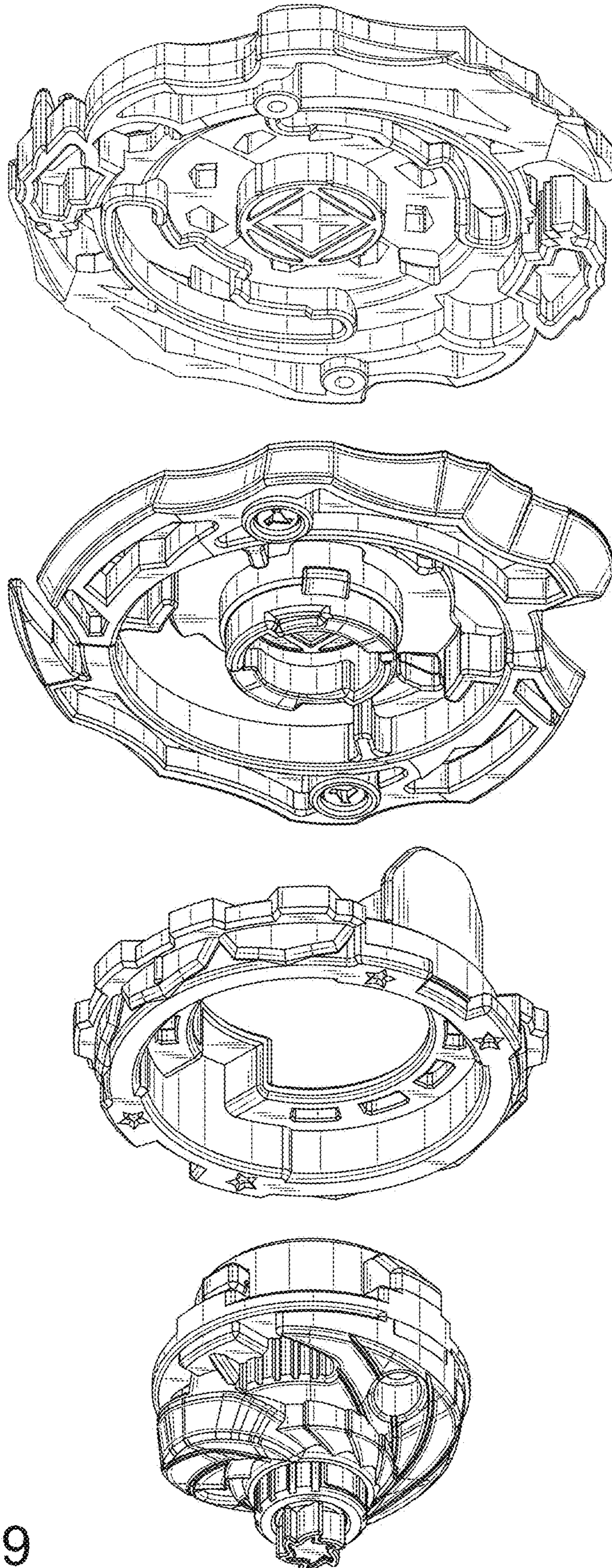


FIG.9