



US00D891526S

(12) **United States Design Patent**  
**Hama et al.**

(10) **Patent No.:** **US D891,526 S**  
(45) **Date of Patent:** **\*\* Jul. 28, 2020**

- (54) **ACCESSORY FOR SPINNING TOP TOY**
- (71) Applicant: **TOMY COMPANY, LTD.**, Tokyo (JP)
- (72) Inventors: **Hiroyuki Hama**, Tokyo (JP); **Asami Oba**, Tokyo (JP); **Toshinobu Ishii**, Saitama (JP)
- (73) Assignee: **TOMY COMPANY, LTD.**, Tokyo (JP)
- (\*\*) Term: **15 Years**
- (21) Appl. No.: **29/686,283**
- (22) Filed: **Apr. 3, 2019**

D862,605 S	*	10/2019	Horikoshi	.....	D21/460
D862,606 S	*	10/2019	Horikoshi	.....	D21/460
D862,608 S	*	10/2019	Yamasaki	.....	D21/460
D873,351 S	*	1/2020	Horikoshi	.....	D21/460
D875,841 S	*	2/2020	Nakajima	.....	D21/460
D875,842 S	*	2/2020	Nakajima	.....	D21/460

**FOREIGN PATENT DOCUMENTS**

JP		3160657 U	*	7/2010	.....	A63H 1/00
JP		6431629 B1	*	11/2018	.....	A63H 1/04

\* cited by examiner

*Primary Examiner* — Catherine A Tuttle

(74) *Attorney, Agent, or Firm* — Oliff PLC

- (30) **Foreign Application Priority Data**
- Oct. 12, 2018 (JP) ..... 2018-022494
- (51) **LOC (12) Cl.** ..... **21-01**
- (52) **U.S. Cl.**
- USPC ..... **D21/460**
- (58) **Field of Classification Search**
- USPC ..... D21/455-464; 446/236-266
- CPC ..... A63H 1/00-32
- See application file for complete search history.

(57) **CLAIM**

The ornamental design for an accessory for spinning top toy, as shown and described.

**DESCRIPTION**

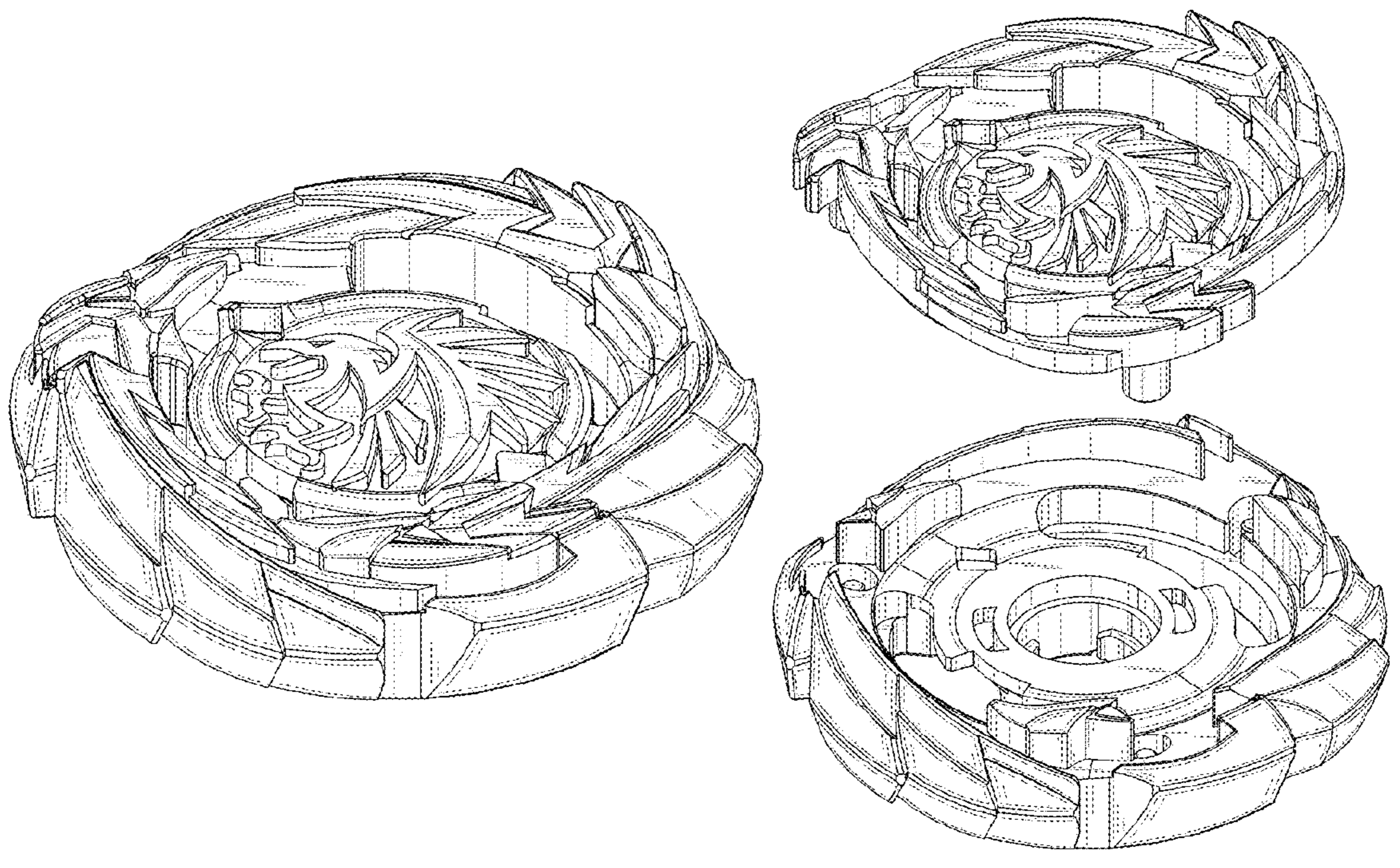
FIG. 1 is a front elevational view of the accessory for spinning top toy;  
 FIG. 2 is a rear elevational view thereof  
 FIG. 3 is a left-side elevational view thereof;  
 FIG. 4 is a right-side elevational view thereof;  
 FIG. 5 is a top plan view thereof;  
 FIG. 6 is a bottom plan view thereof;  
 FIG. 7 is a front, top and right side perspective view thereof;  
 FIG. 8 is a disassembled front, top and right side perspective view thereof; and,  
 FIG. 9 is a disassembled rear, bottom and left side perspective view thereof.

(56) **References Cited**

**U.S. PATENT DOCUMENTS**

D825,671 S	*	8/2018	Horikoshi	.....	D21/460
D827,044 S	*	8/2018	Horikoshi	.....	D21/460
D827,046 S	*	8/2018	Horikoshi	.....	D21/460
D839,967 S	*	2/2019	Horikoshi	.....	D21/460
D844,069 S	*	3/2019	Horikawa	.....	D21/460
D851,709 S	*	6/2019	Muraki	.....	D21/460
D855,118 S	*	7/2019	Saito	.....	D21/460

**1 Claim, 9 Drawing Sheets**



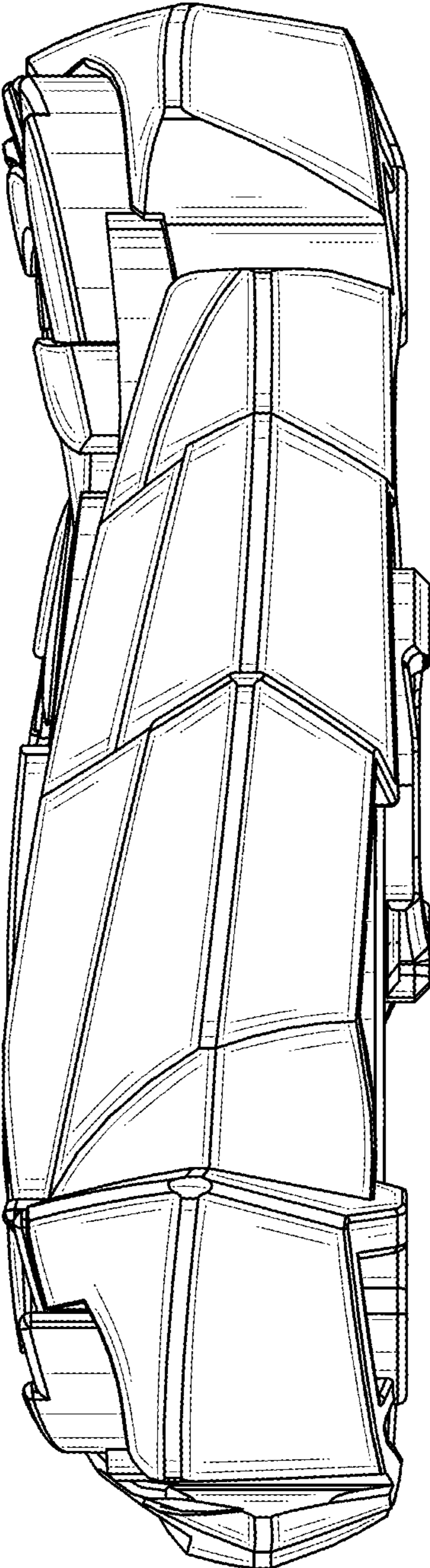


FIG.1

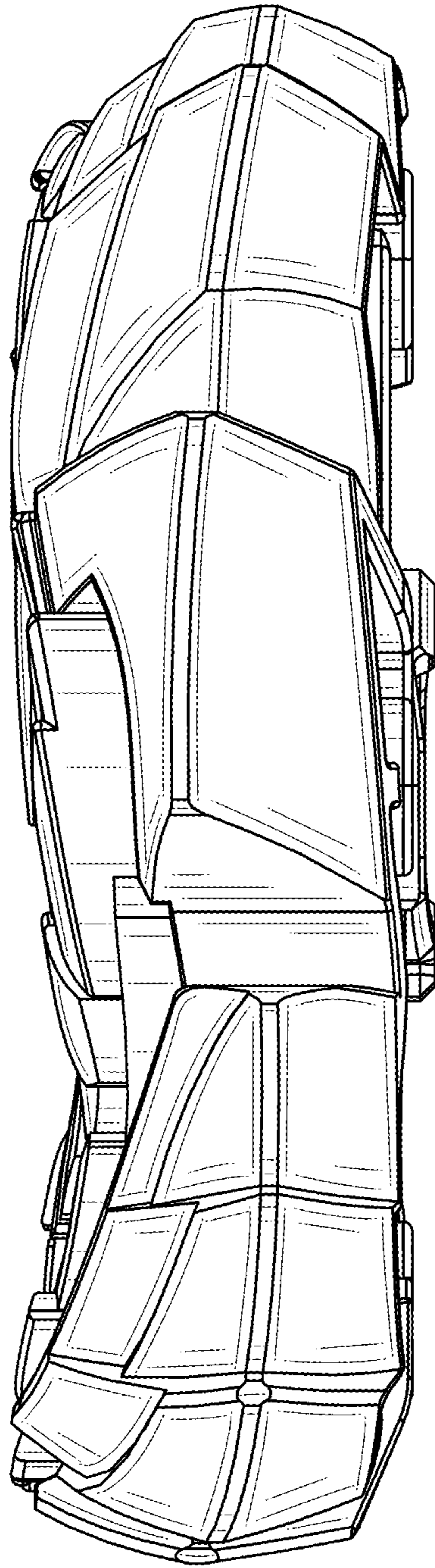


FIG.2

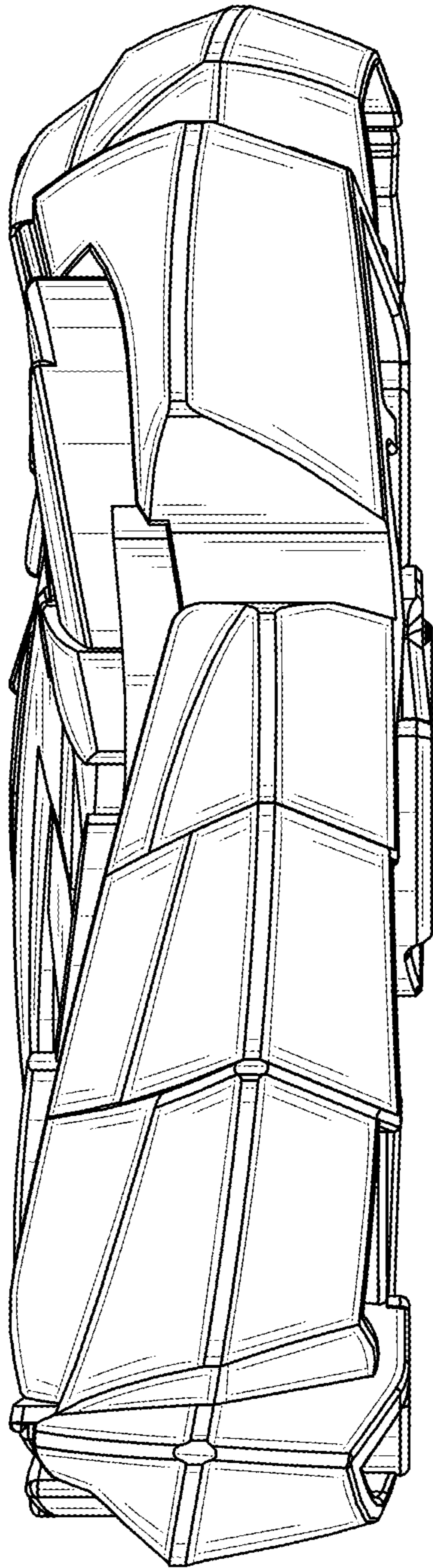


FIG.3

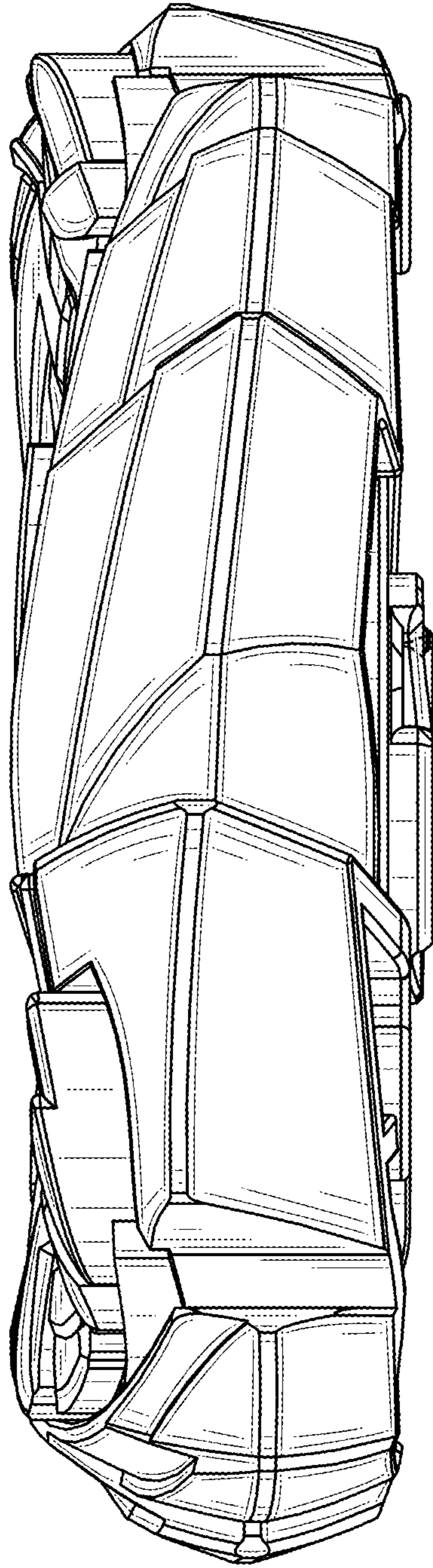


FIG.4



FIG.5

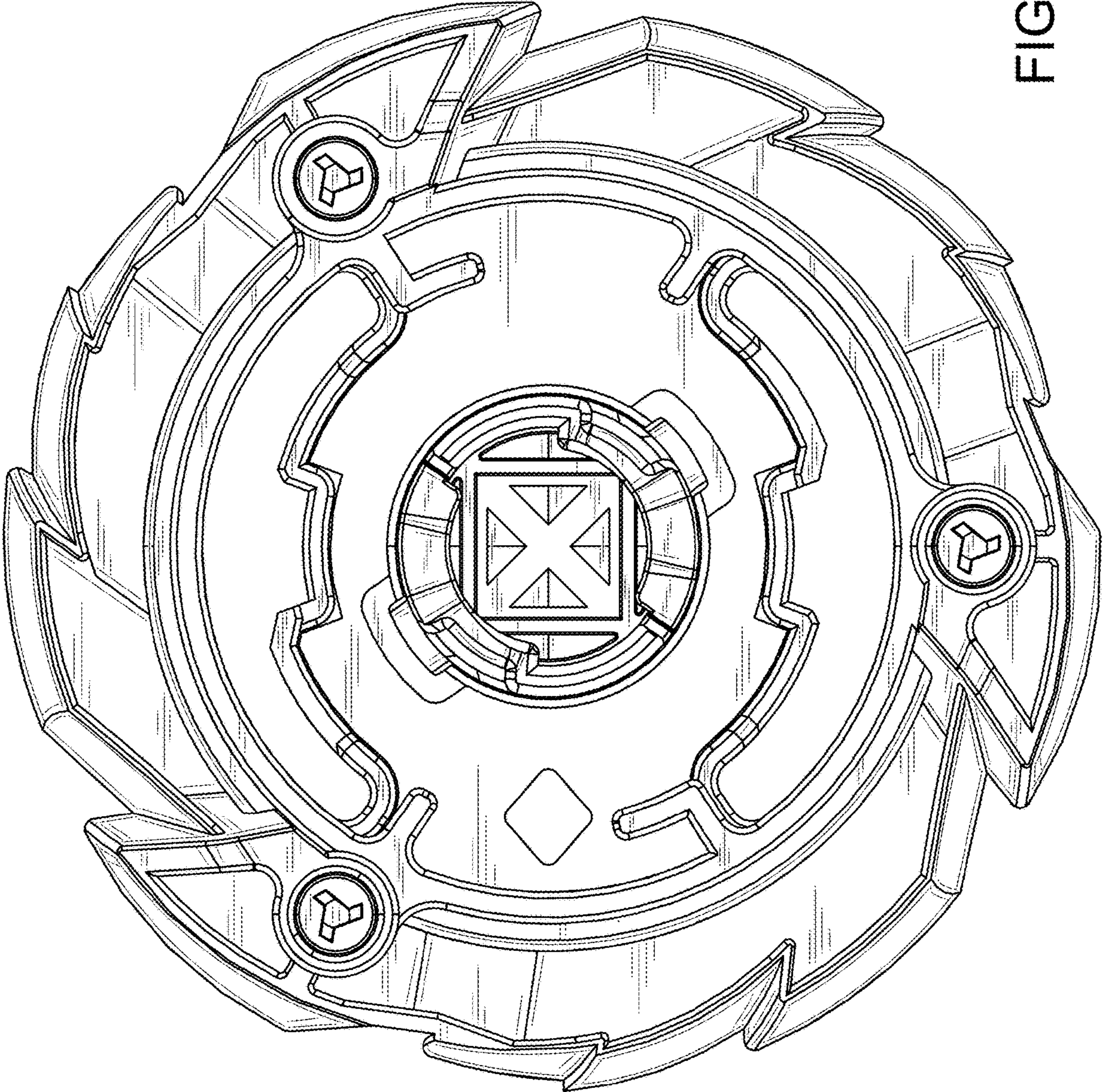


FIG.6

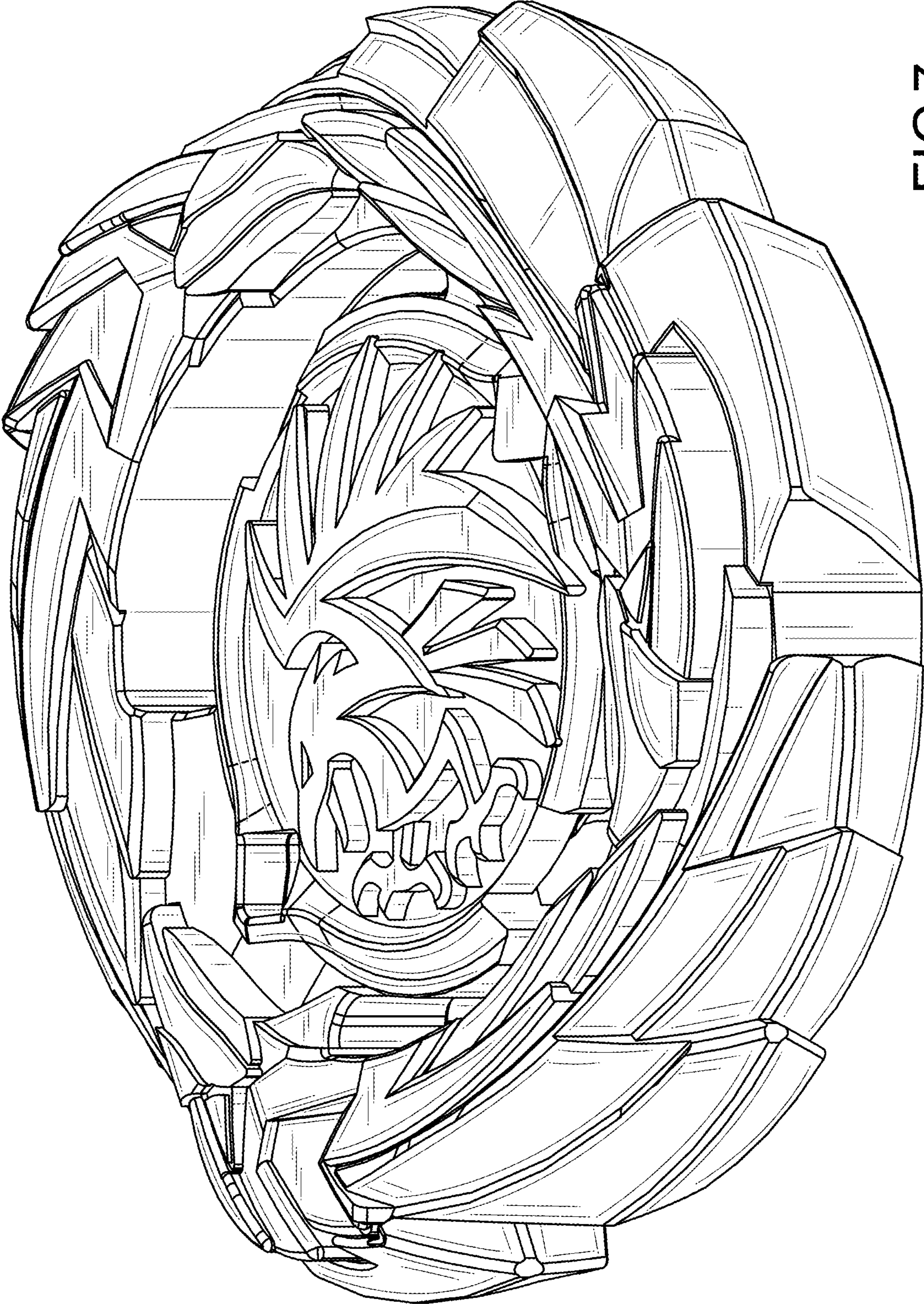


FIG.7



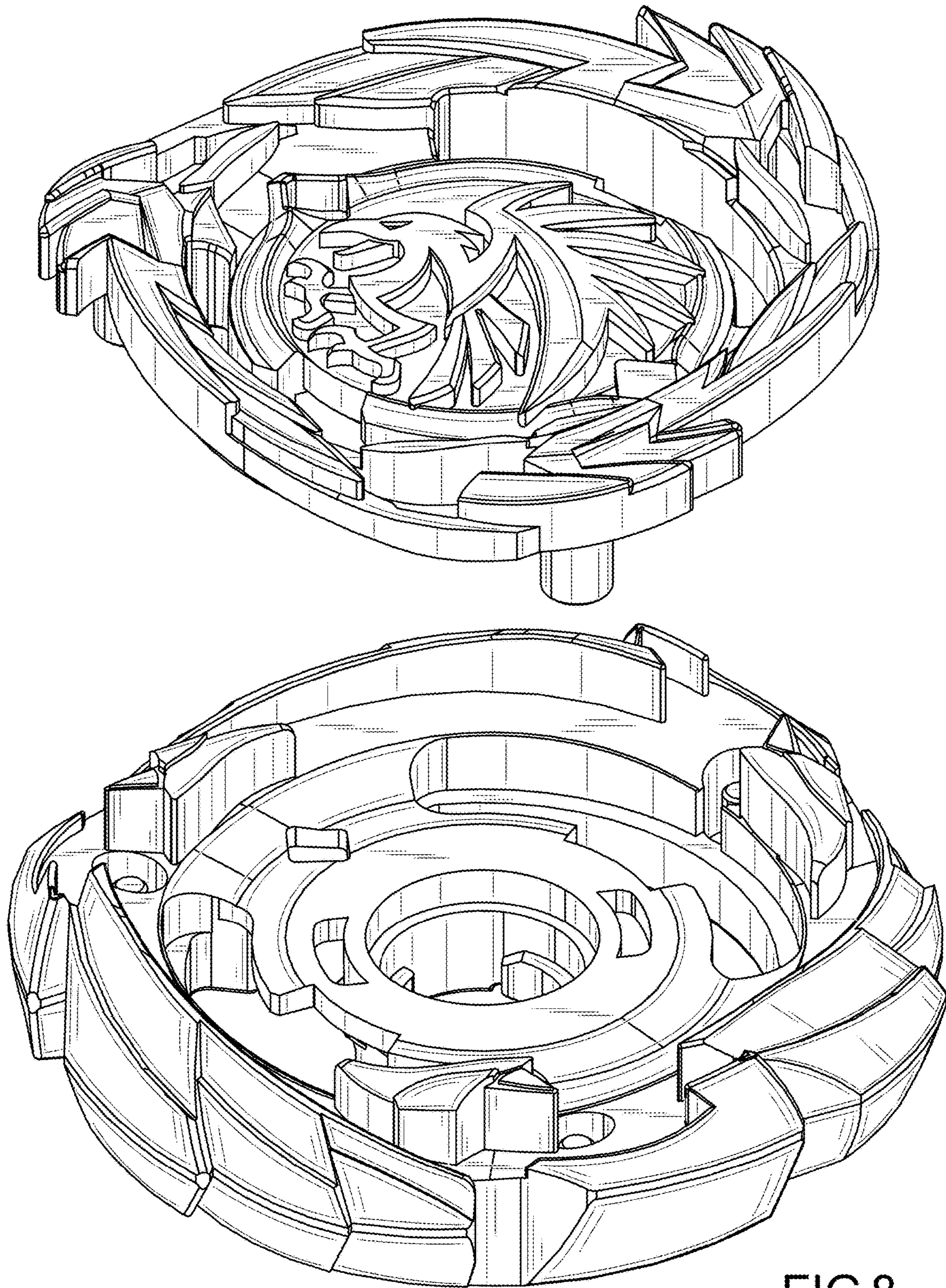


FIG. 8

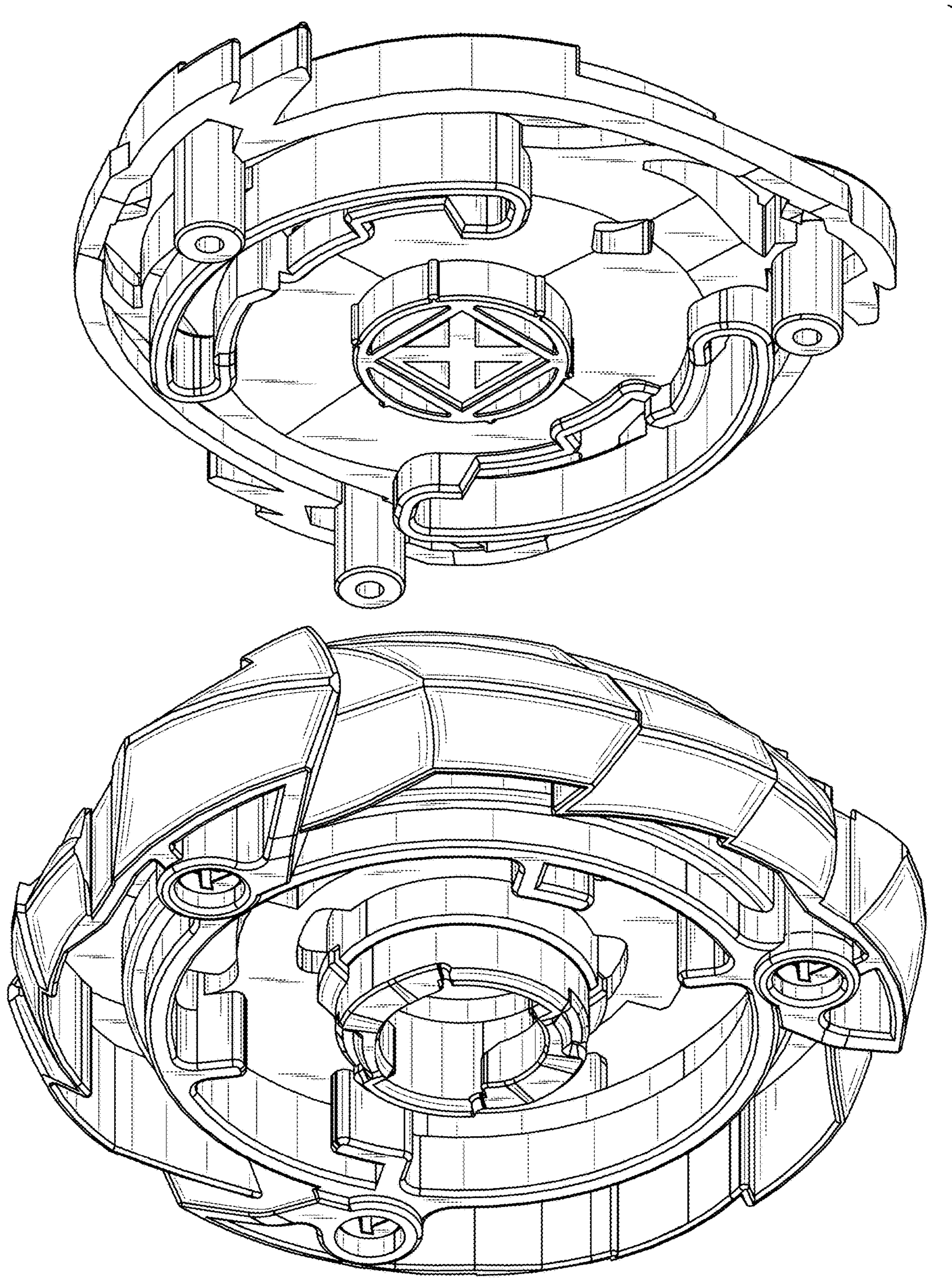


FIG.9