

US00D891525S

(12) **United States Design Patent** (10) **Patent No.:** **US D891,525 S**  
**Muenzer** (45) **Date of Patent:** **\*\* Jul. 28, 2020**

(54) **TOY CONSTRUCTION PIECE**  
(71) Applicant: **RAVENSBURGER AG**, Ravensburg (DE)  
(72) Inventor: **Ralph Muenzer**, Friedrichshafen (DE)  
(73) Assignee: **RAVENSBURGER AG** (DE)  
(\*\*) Term: **15 Years**  
(21) Appl. No.: **35/506,168**  
(22) Filed: **Jul. 9, 2018**  
(80) **Hague Agreement Data**  
Int. Filing Date: **Jul. 9, 2018**  
Int. Reg. No.: **DM/103723**  
Int. Reg. Date: **Jul. 9, 2018**  
Int. Reg. Pub. Date: **Nov. 30, 2018**

(30) **Foreign Application Priority Data**  
Jan. 17, 2018 (EM) ..... 004667988-0001  
Jan. 17, 2018 (EM) ..... 004667988-0002  
Jan. 17, 2018 (EM) ..... 004667988-0003  
Jan. 17, 2018 (EM) ..... 004667988-0004  
Jan. 17, 2018 (EM) ..... 004667988-0005  
Jan. 17, 2018 (EM) ..... 004667988-0006  
Jan. 17, 2018 (EM) ..... 004667988-0007  
Jan. 17, 2018 (EM) ..... 004667988-0008  
Jan. 17, 2018 (EM) ..... 004667988-0009  
Jan. 17, 2018 (EM) ..... 004667988-0010  
Jan. 17, 2018 (EM) ..... 004667988-0011  
Jan. 17, 2018 (EM) ..... 004667988-0012  
Jan. 17, 2018 (EM) ..... 004667988-0013  
Jan. 17, 2018 (EM) ..... 004667988-0014  
Jan. 17, 2018 (EM) ..... 004667988-0015  
Jan. 17, 2018 (EM) ..... 004667988-0016  
Jan. 17, 2018 (EM) ..... 004667988-0017  
Jan. 17, 2018 (EM) ..... 004667988-0018  
(51) **LOC (12) Cl.** ..... **21-01**

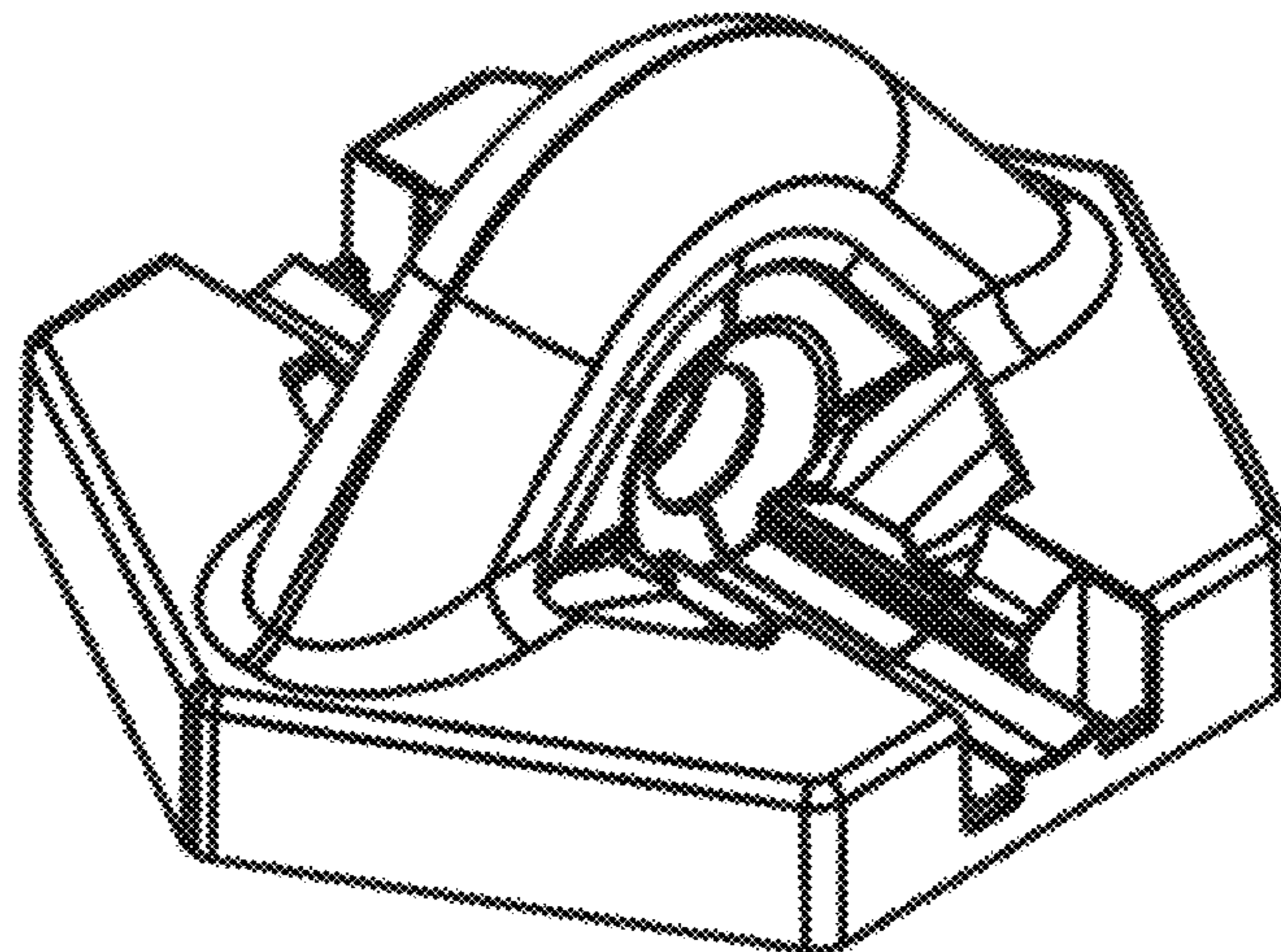
(52) **U.S. Cl.**  
USPC ..... **D21/456**  
(58) **Field of Classification Search**  
USPC ..... D21/455, 456, 484, 485, 489, 491, D21/500-505  
CPC ..... A63F 7/36; A63F 7/3622; A63H 18/00; A63H 18/02; A63H 18/023; A63H 18/026; A63H 18/028; A63H 33/04-088  
See application file for complete search history.

(56) **References Cited**  
**U.S. PATENT DOCUMENTS**  
3,343,793 A \* 9/1967 Waser ..... A63F 7/3622  
238/10 R  
D257,267 S \* 10/1980 Long ..... D21/363  
D257,268 S \* 10/1980 Long ..... A63F 7/3622  
D21/363  
D263,403 S \* 3/1982 Chen ..... D21/386  
(Continued)

**OTHER PUBLICATIONS**  
Ravensburg North America, How to use the Gravitrax Magnetic Cannon Accessory, published via YouTube.com on Aug. 20, 2019. Retrieved on Nov. 12, 2019. <URL: <https://www.youtube.com/watch?v=DYJGq3bO6x0&t=>> (Year: 2019).\*  
*Primary Examiner* — George D. Kirschbaum  
*Assistant Examiner* — Joseph J Kukella  
(74) *Attorney, Agent, or Firm* — Lewis Rice LLC

(57) **CLAIM**  
The ornamental design for a toy construction piece, as shown and described.

**DESCRIPTION**  
1.1 : Front of toy construction piece  
1.2 : Bottom of toy construction piece  
1.3 : Perspective of toy construction piece  
1.4 : Top of toy construction piece  
(Continued)



The bottom of the toy construction piece forms no part of the claimed design.

**1 Claim, 4 Drawing Sheets**

(56)

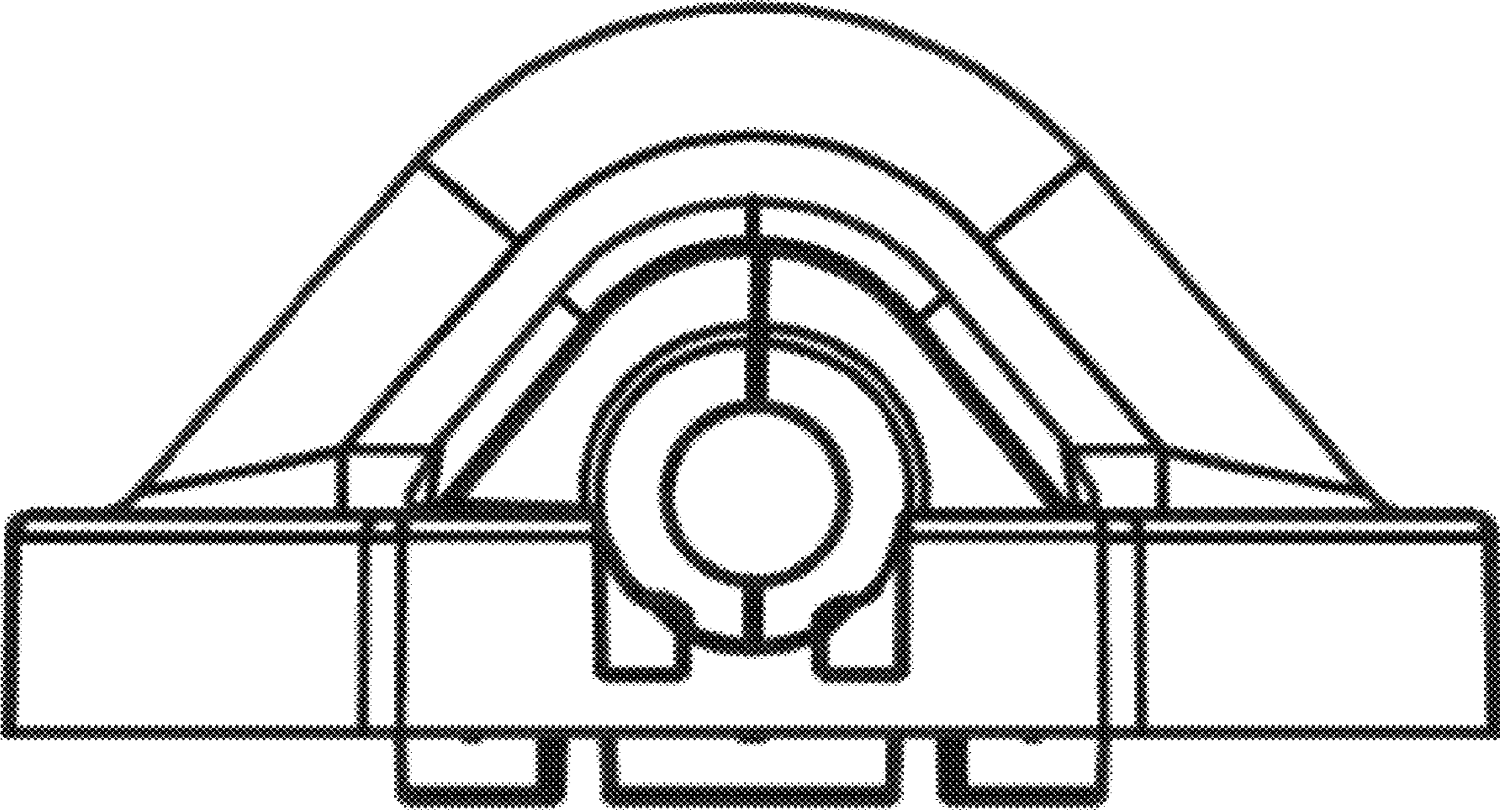
**References Cited**

U.S. PATENT DOCUMENTS

5,344,143	A *	9/1994	Yule .....	A63F 7/3622
				273/118 R
5,451,177	A *	9/1995	Gilman .....	A63F 7/3622
				446/128
5,709,581	A *	1/1998	Rothbarth .....	A63F 7/3622
				446/171
D517,618	S *	3/2006	Lantero .....	A63F 7/3622
				D21/565
D715,377	S *	10/2014	Cunningham .....	A63F 7/3622
				D21/500
D773,563	S *	12/2016	Kiribuchi .....	D21/363
D773,564	S *	12/2016	Kiribuchi .....	D21/363
D790,638	S *	6/2017	Kuo .....	D21/504
D809,987	S *	2/2018	Angel .....	D12/217
D809,988	S *	2/2018	Angel .....	D12/217
D829,829	S *	10/2018	Barwald .....	D21/491
D832,365	S *	10/2018	Williams .....	D21/484
D833,541	S *	11/2018	Barwald .....	D21/491
D851,180	S *	6/2019	Pihl .....	D21/491
D856,431	S *	8/2019	Kipling .....	D21/484
2007/0060012	A1 *	3/2007	Comfort .....	A63F 7/3622
				446/168

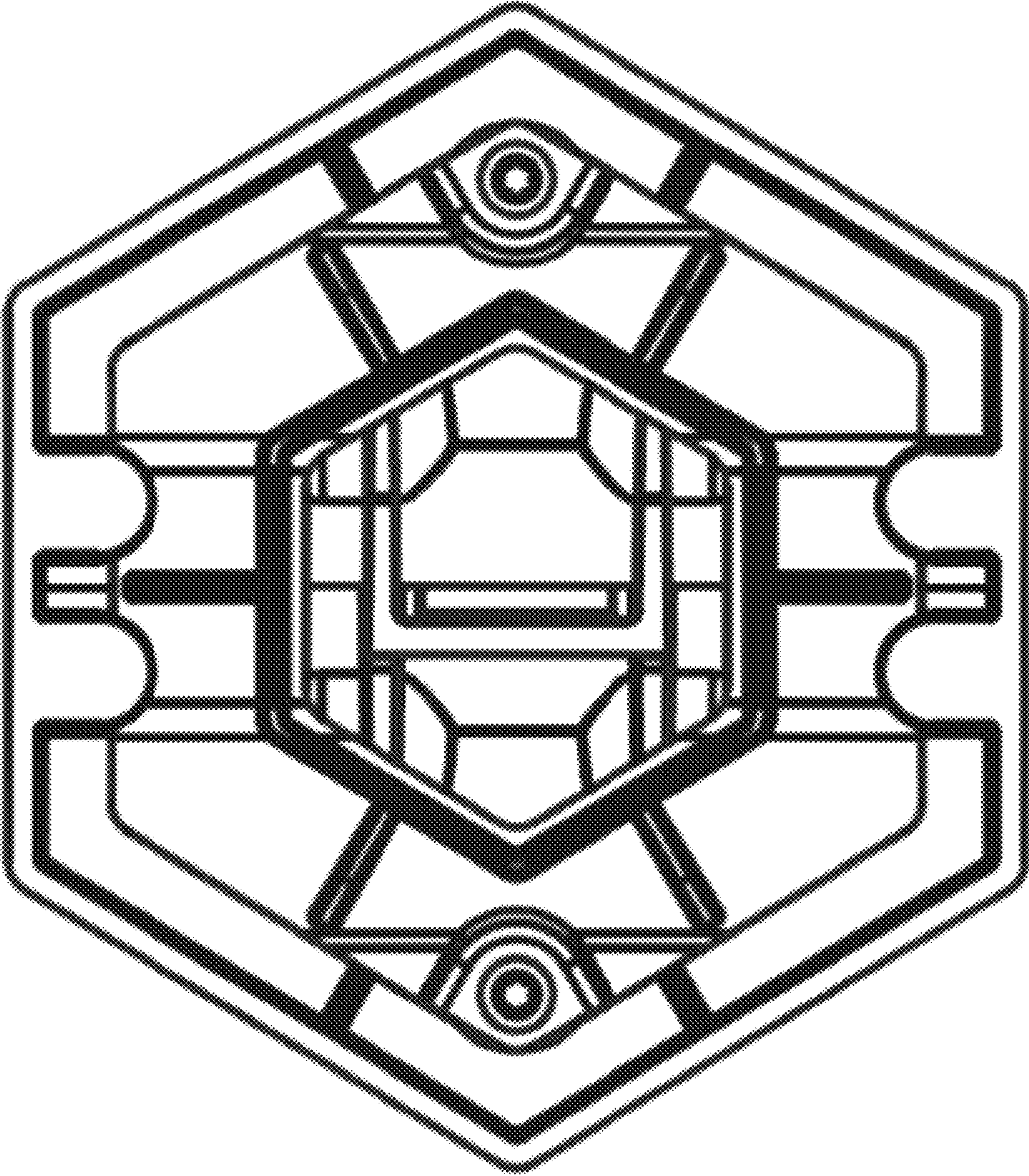
\* cited by examiner

1.1



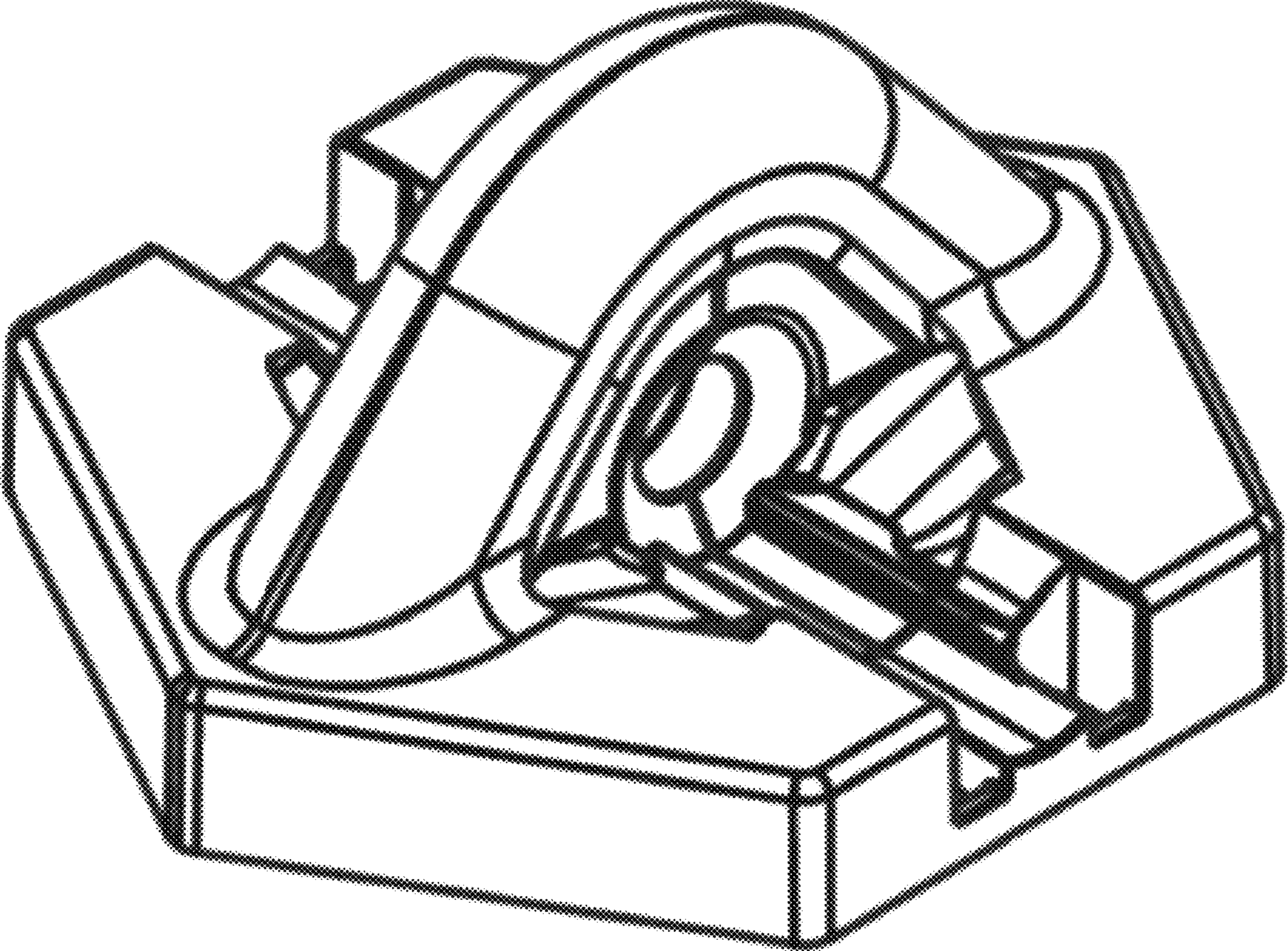


1.2





1.3





1.4

