



US00D891524S

(12) **United States Design Patent** (10) **Patent No.:** **US D891,524 S**
Alonso (45) **Date of Patent:** **** Jul. 28, 2020**

(54) **BOX KITE EYE SOCKET AND PLUG COMBINATION**

Primary Examiner — Marissa J Cash
(74) *Attorney, Agent, or Firm* — Steinfl + Bruno LLP

(71) Applicant: **Francis A. Alonso**, Santa Monica, CA (US)

(57) **CLAIM**

(72) Inventor: **Francis A. Alonso**, Santa Monica, CA (US)

The ornamental design for a box kite eye socket and plug combination, as shown and described.

(**) Term: **15 Years**

DESCRIPTION

(21) Appl. No.: **29/628,160**

The present application is related to U.S. patent application Ser. No. 29/611,370 file on Jul. 20, 2017 for a Box Kite Strut Connector, which is incorporated herein by reference in its entirety.

(22) Filed: **Dec. 1, 2017**

(51) **LOC (12) Cl.** **21-01**

(52) **U.S. Cl.**
USPC **D21/453**

(58) **Field of Classification Search**
USPC D12/319–345, 16.1, 1–4, 415, 401;
D21/436–455, 769, 771; D15/199;
D32/21; D25/4; D6/514, 705.7, 706,
D6/675, 675.3, 677.3
CPC B64C 2201/146; B64C 2201/027; B64C
2201/104; B64C 25/06; B64C 25/24;
B64C 39/04; B64C 5/02
See application file for complete search history.

FIG. 1 is a top perspective view of a box kite eye socket and plug combination showing my new design;
FIG. 2 is a bottom perspective view thereof;
FIG. 3 is a top view thereof;
FIG. 4 is a side view thereof;
FIG. 5 is a view from the left end thereof;
FIG. 6 is a view from the right end thereof;
FIG. 7 is a top perspective view of the box kite eye socket and plug combination showing the eye socket disconnected from the plug for purposes of disclosure;
FIG. 8 is a top perspective view of the eye socket;
FIG. 9 is a bottom perspective view of the eye socket;
FIG. 10 is a top view of the eye socket;
FIG. 11 is a side view of the eye socket;
FIG. 12 is a view from the left end of the eye socket;
FIG. 13 is a view from the right end of the eye socket;
FIG. 14 is a top perspective view of the plug;
FIG. 15 is a bottom perspective view of the plug;
FIG. 16 is a left side view of the plug;
FIG. 17 is a right side view of the plug;
FIG. 18 is a top view of the plug;
FIG. 19 is a bottom view of the plug;
FIG. 20 is a view from the right end of the plug; and,
FIG. 21 is a view from the left end of the plug.
The broken lines in the drawings depict portions of the box kite eye socket and plug combination that form no part of the claimed design.

(56) **References Cited**

U.S. PATENT DOCUMENTS

607,129 A 7/1898 Potter
770,626 A 9/1904 Bell

(Continued)

FOREIGN PATENT DOCUMENTS

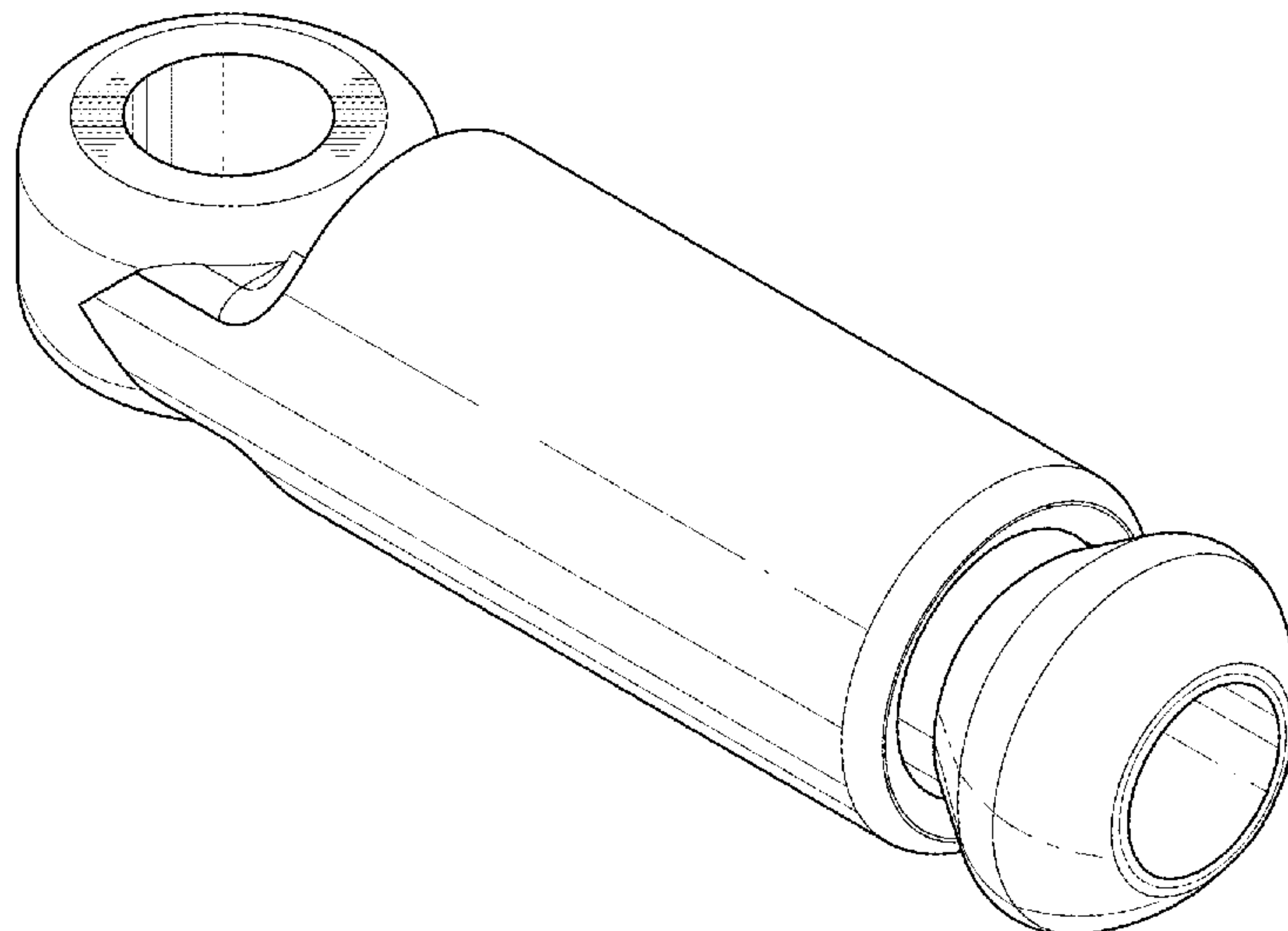
JP H0531259 A 2/1993

OTHER PUBLICATIONS

Non-Final Office Action for U.S. Appl. No. 29/611,370, filed Jul. 20, 2017 on behalf of KD Technologies, Inc. dated Feb. 24, 2020. 15 pages.

(Continued)

1 Claim, 11 Drawing Sheets



(56)

References Cited

U.S. PATENT DOCUMENTS

1,223,163 A 4/1917 Graham
 1,328,143 A 1/1920 Fergusson et al.
 1,666,813 A 4/1928 Eddy
 2,386,762 A 10/1945 Wheelwright
 2,533,570 A 12/1950 Foy
 2,744,701 A 5/1956 Robey
 2,873,077 A 2/1959 Corbin
 2,988,309 A 6/1961 Pohl et al.
 3,039,722 A 6/1962 Eustis
 3,098,634 A 6/1963 Finklea
 3,161,386 A 12/1964 Umanoff
 3,327,975 A 6/1967 Vaughan
 3,468,503 A 9/1969 Snibbe
 3,494,578 A 2/1970 Cureton
 3,740,008 A 6/1973 Grauel
 3,893,641 A 7/1975 Sutton
 3,937,426 A 2/1976 Pearce
 3,948,471 A 4/1976 Pearce et al.
 3,951,363 A 4/1976 Grauel
 D240,711 S 7/1976 Angleman et al.
 4,076,189 A 2/1978 Powell
 D251,181 S 2/1979 Analeman et al.
 D251,182 S 2/1979 Angleman et al.
 4,159,087 A 6/1979 Moomaw
 4,201,357 A 5/1980 Gambardella
 D289,143 S 4/1987 Guilla
 4,715,564 A 12/1987 Kinn et al.
 4,807,832 A 2/1989 Tabor
 4,813,637 A 3/1989 Bondestam
 4,815,681 A 3/1989 Crowell
 4,830,313 A 5/1989 Cheng
 4,848,704 A 7/1989 Sams
 5,152,481 A 10/1992 Cote et al.
 5,328,134 A 7/1994 Powers
 5,492,288 A 2/1996 Bordelon
 5,690,444 A * 11/1997 Yuuki A44B 19/262
 403/268
 5,727,756 A 3/1998 Rowe
 5,810,294 A * 9/1998 Knight A63H 27/08
 244/153 A
 5,811,728 A 9/1998 Maeda
 5,833,174 A 11/1998 Knight et al.
 D416,131 S * 11/1999 Dafski D3/211
 6,135,388 A 10/2000 Hostetter
 D443,902 S * 6/2001 Wang D21/445
 D446,122 S 8/2001 Weinstein et al.
 D459,216 S 6/2002 Heijdenrijk
 6,598,833 B2 7/2003 Tabor

6,663,050 B2 12/2003 Tabor
 6,837,463 B2 1/2005 Lynn
 6,854,690 B2 2/2005 Tabor
 D502,745 S 3/2005 Tabor et al.
 6,955,325 B1 10/2005 Tabor et al.
 D541,156 S 4/2007 Florio
 D545,753 S * 7/2007 Hu D12/223
 D581,343 S * 11/2008 Cazals D12/319
 D603,261 S 11/2009 Arnell et al.
 7,621,484 B2 11/2009 Wingert
 D632,633 S * 2/2011 Masson D12/345
 D638,342 S * 5/2011 Masson D12/345
 D638,775 S * 5/2011 Masson D12/345
 D638,776 S * 5/2011 Masson D12/345
 D658,935 S 5/2012 Luppino et al.
 D683,221 S 5/2013 Graham et al.
 D708,521 S 7/2014 Buschmann et al.
 D708,939 S 7/2014 Zaikov et al.
 D723,370 S 3/2015 Medlin
 D739,333 S * 9/2015 Goode D12/320
 D743,320 S * 11/2015 Ross D12/345
 D750,008 S * 2/2016 Tran D12/345
 D759,488 S 6/2016 Gibson
 D768,506 S 10/2016 Hua
 D789,201 S 6/2017 Yu
 D790,966 S 7/2017 Roberts et al.
 D798,797 S * 10/2017 Lee D12/345
 D798,964 S * 10/2017 Lee D21/453
 D801,151 S * 10/2017 DiBlasi D8/354
 D813,316 S * 3/2018 Wicken D21/453
 D820,679 S 6/2018 Ali
 D823,689 S 7/2018 Durand
 D862,361 S * 10/2019 Corning D12/330
 D875,183 S * 2/2020 Alonso D21/445
 2007/0120017 A1 * 5/2007 Webb G03B 37/00
 244/153 R
 2015/0147107 A1 5/2015 Suzuki
 2019/0185156 A1 6/2019 Alonso

OTHER PUBLICATIONS

Notice of Allowance for U.S. Appl. No. 15/843,665, filed Dec. 15, 2017 on behalf of KD Technologies, Inc. dated Mar. 23, 2020. 10 pages.
 Notice of Allowance for U.S. Appl. No. 29/628,168, filed Dec. 1, 2017 on behalf of KD Technologies Inc. dated Apr. 1, 2020. 8 Pages.
 Restriction Requirement for U.S. Appl. No. 29/628,168, filed Dec. 1, 2017 on behalf of KD Technologies Inc dated Jan. 7, 2020 10 pages.

* cited by examiner

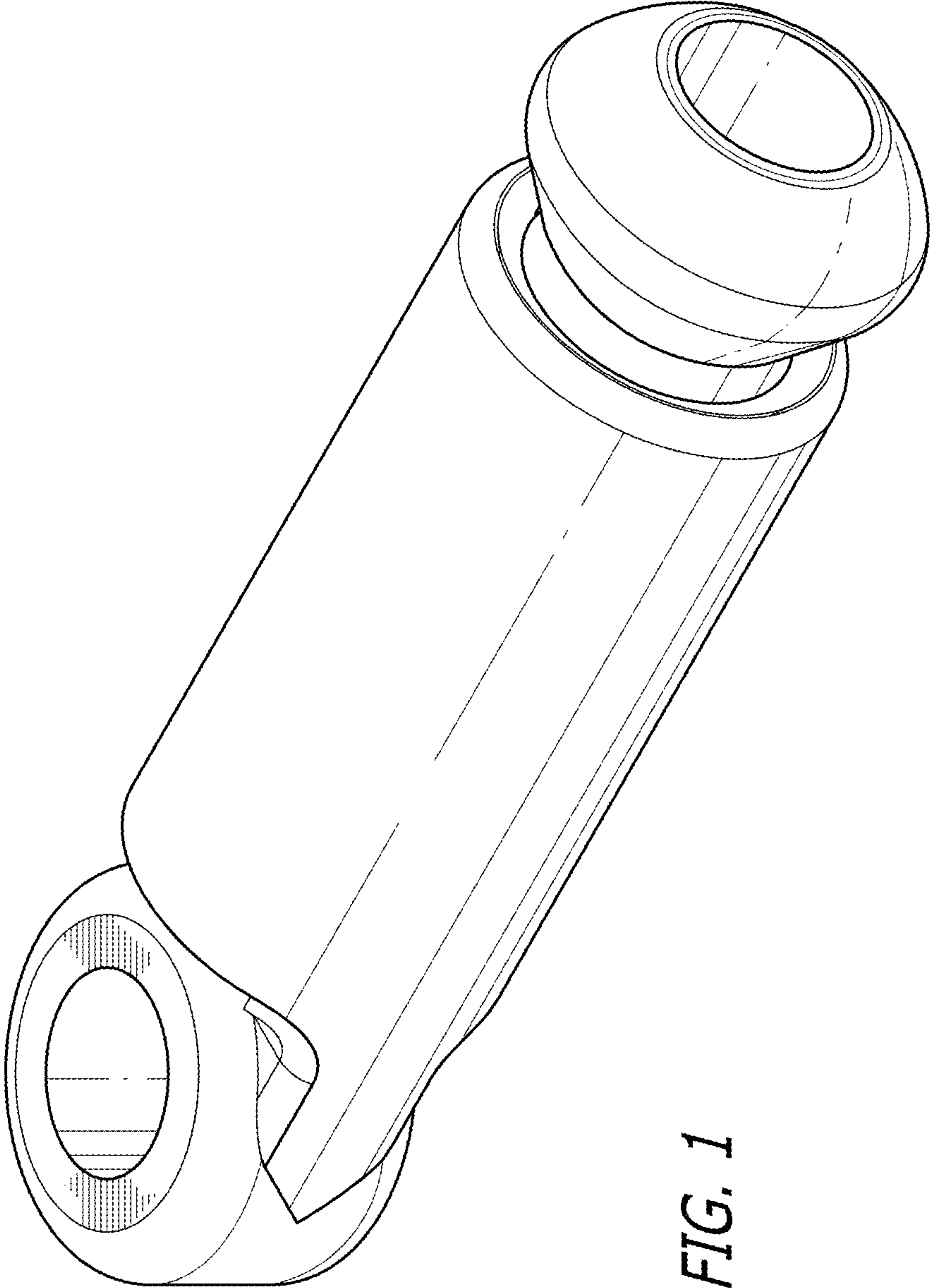


FIG. 1

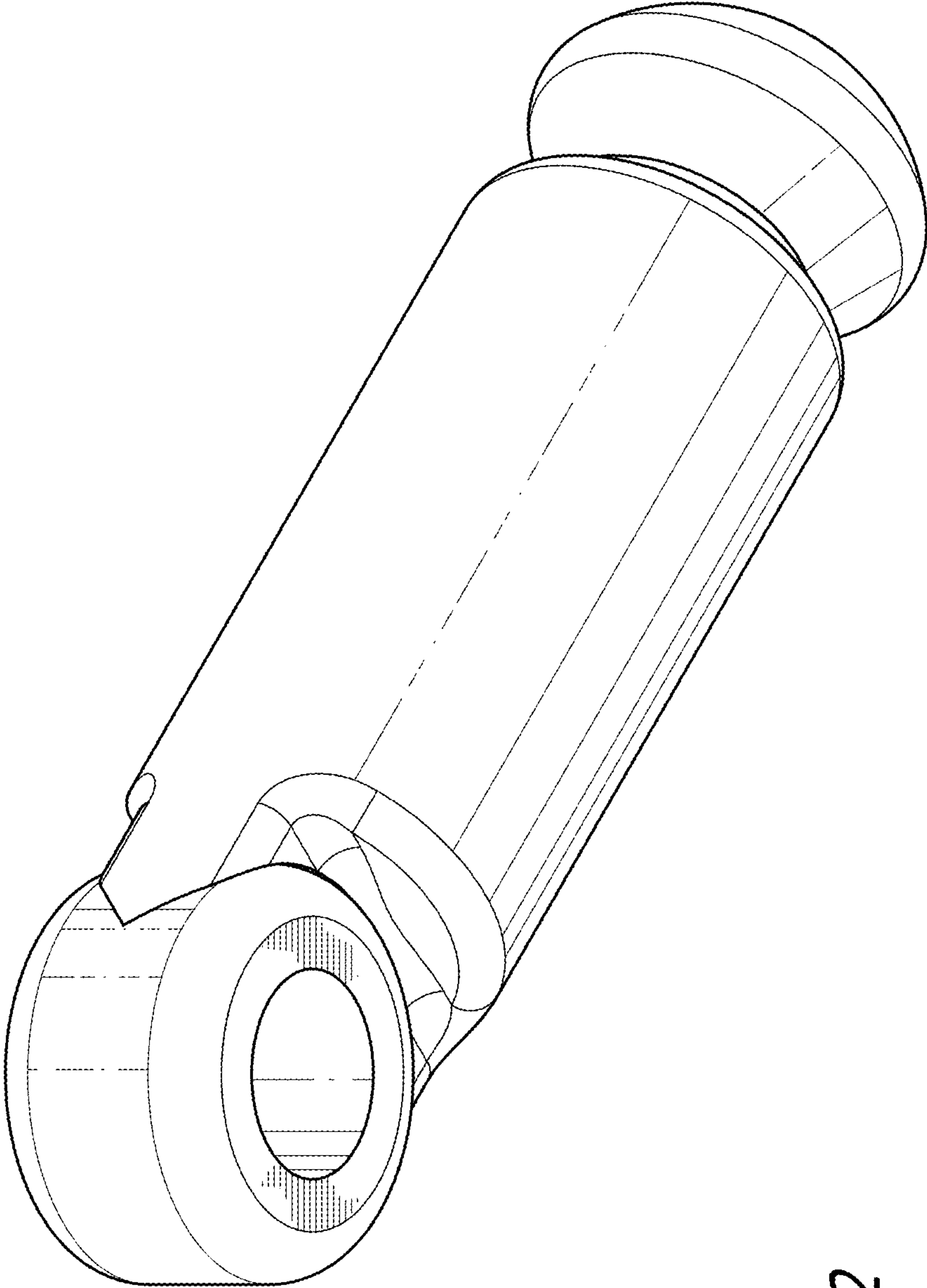


FIG. 2

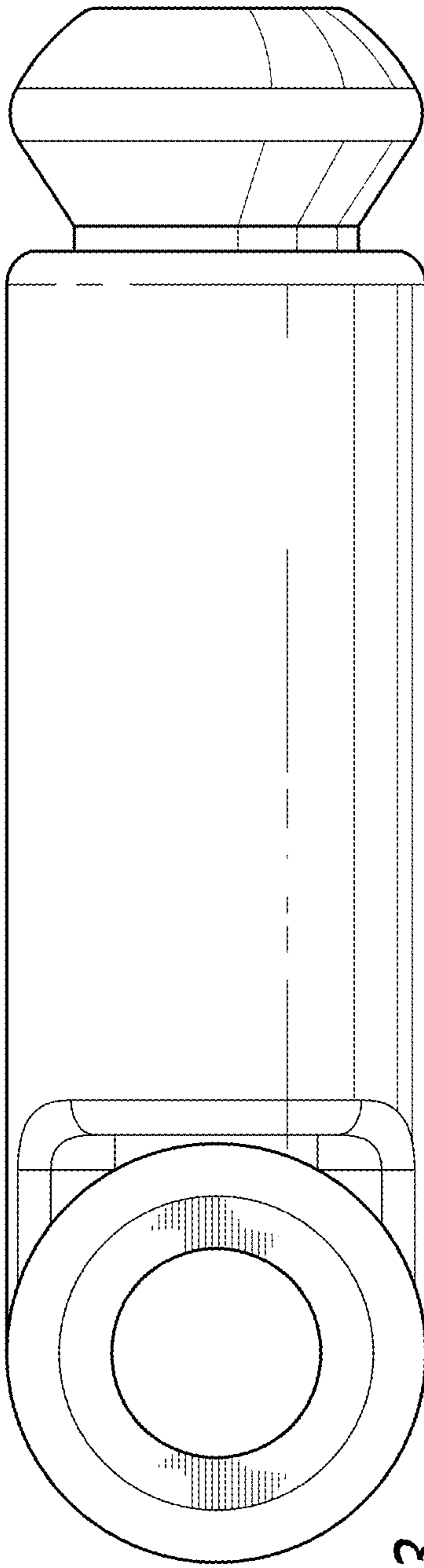


FIG. 3

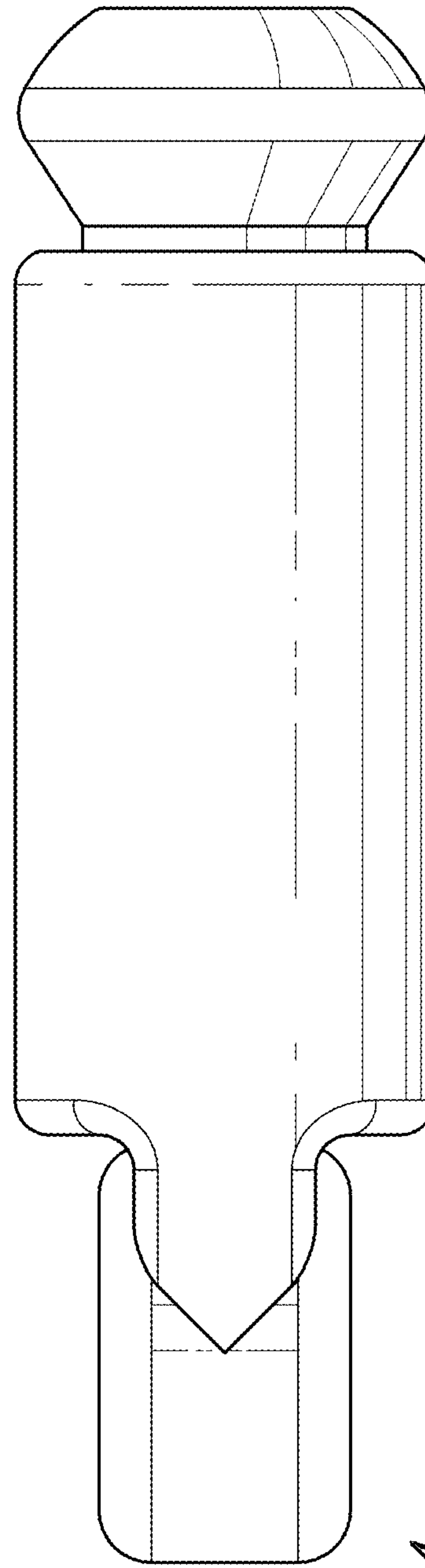


FIG. 4

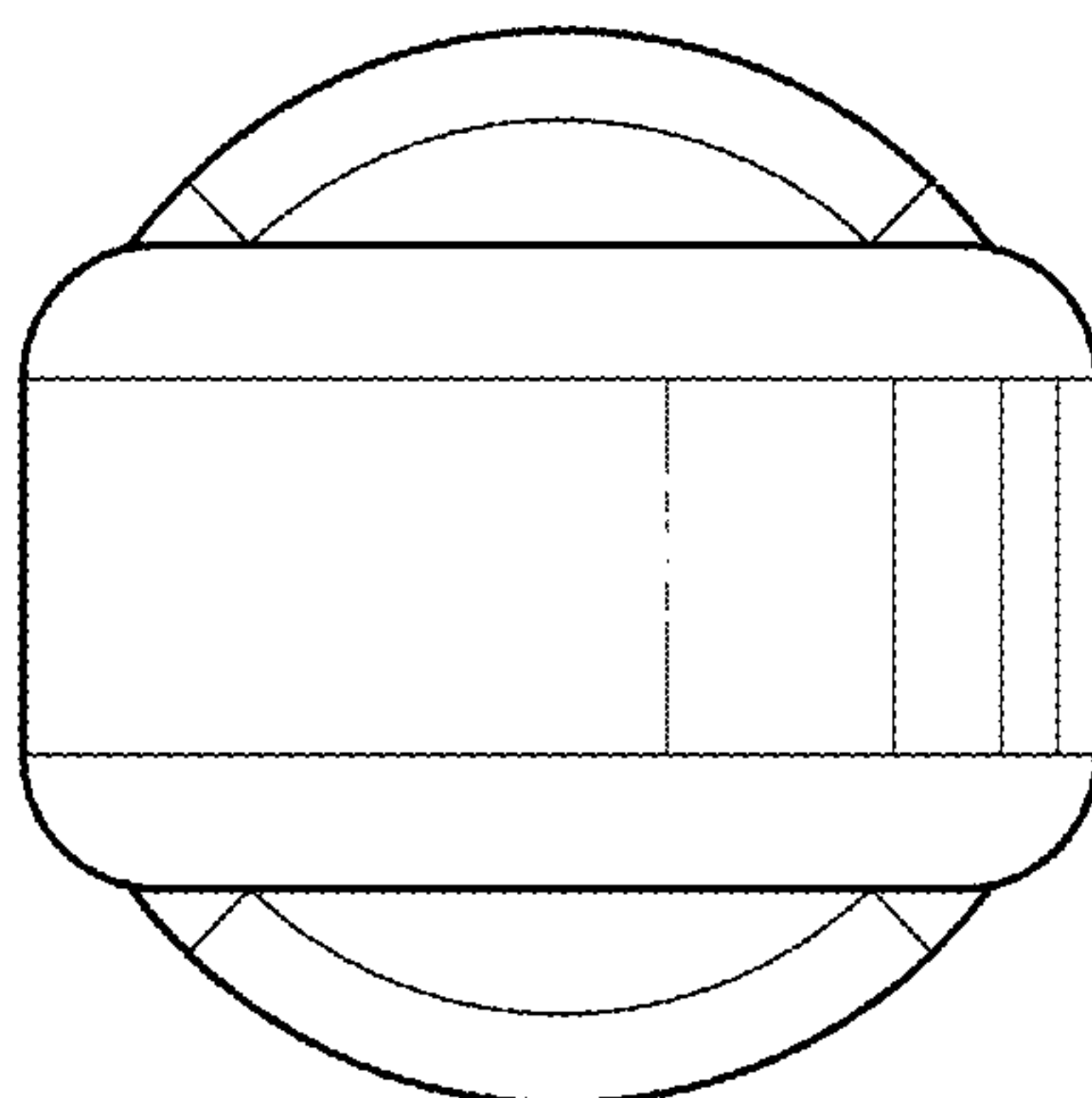


FIG. 5

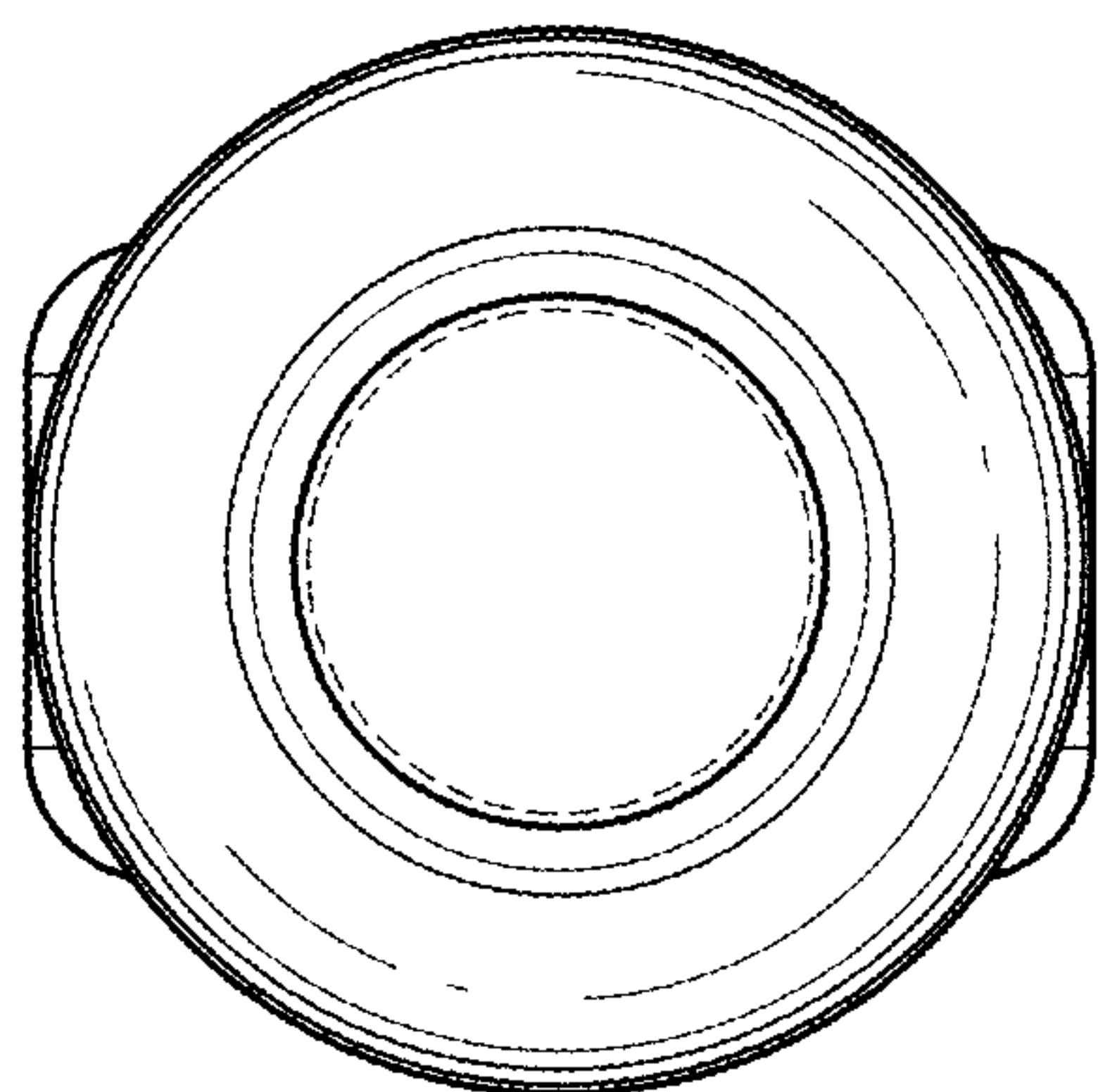
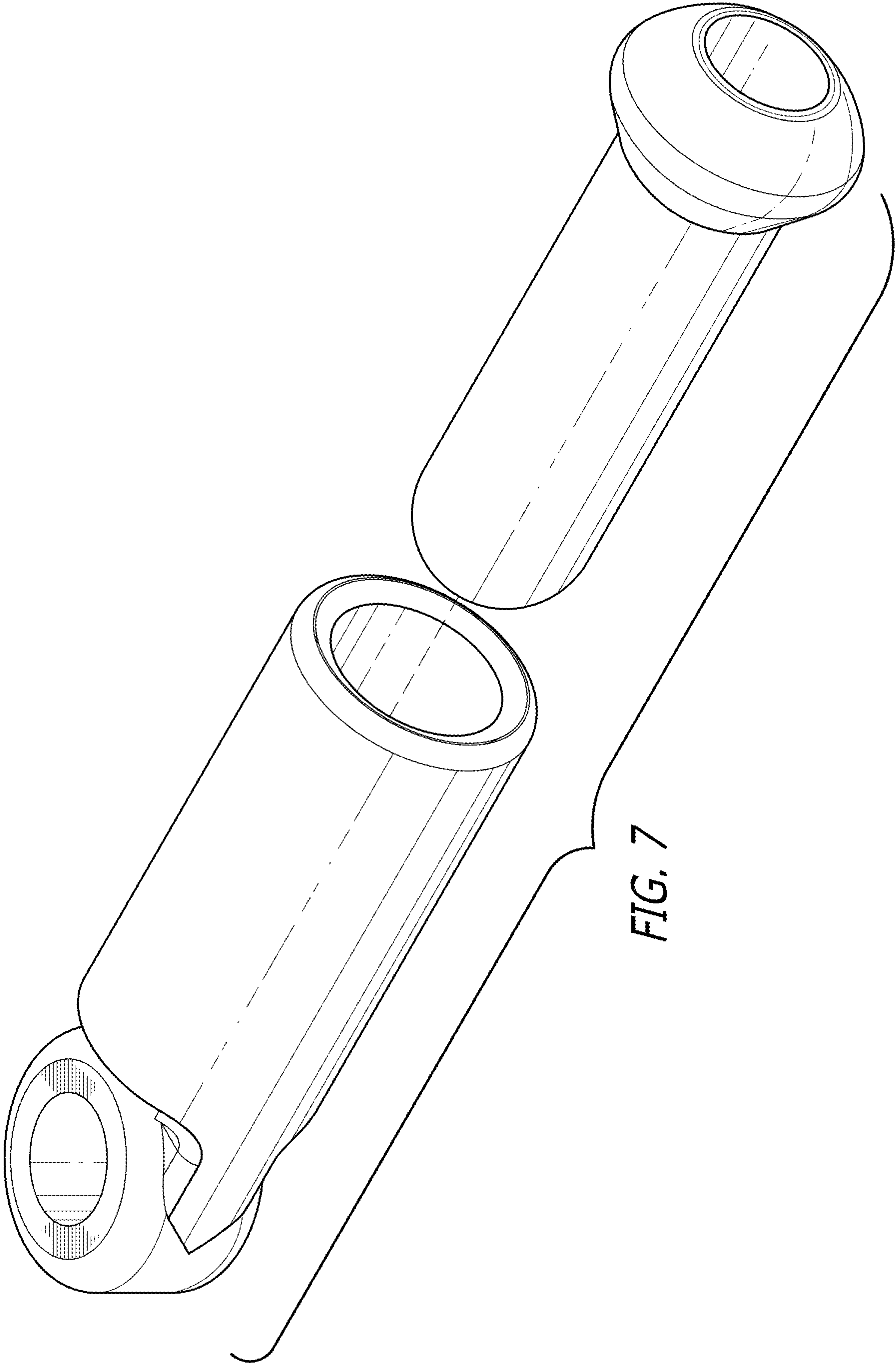


FIG. 6



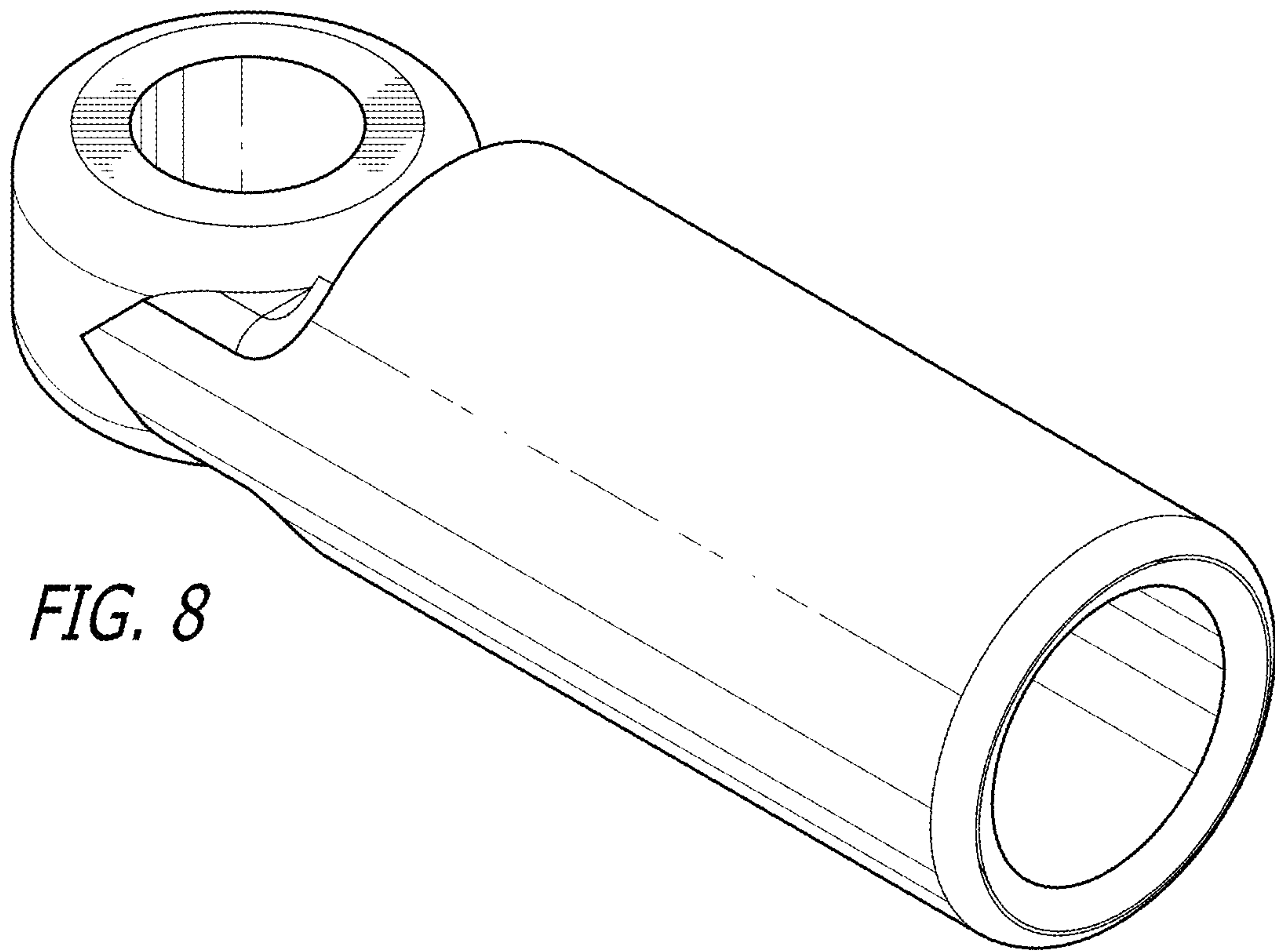


FIG. 8

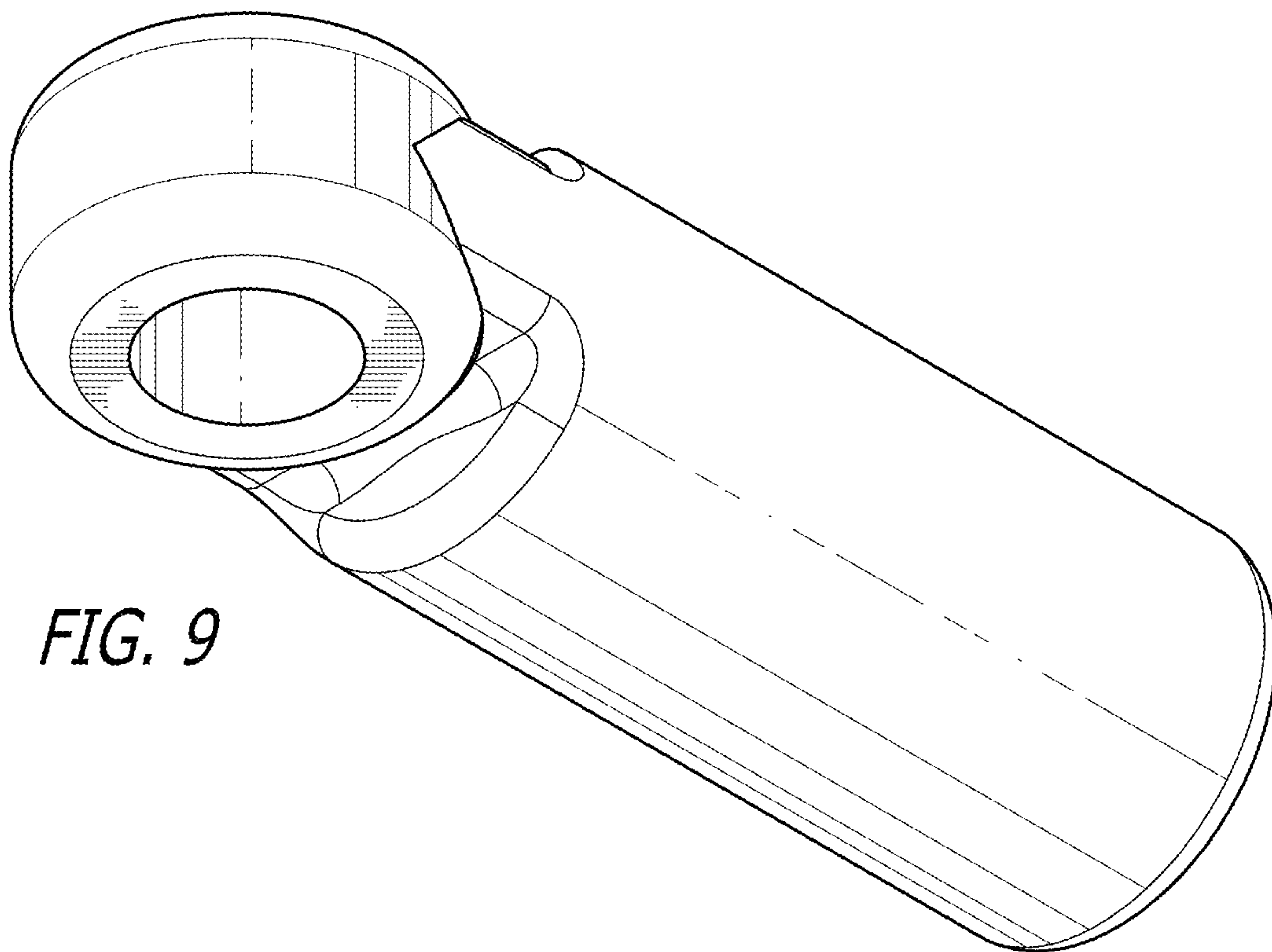


FIG. 9

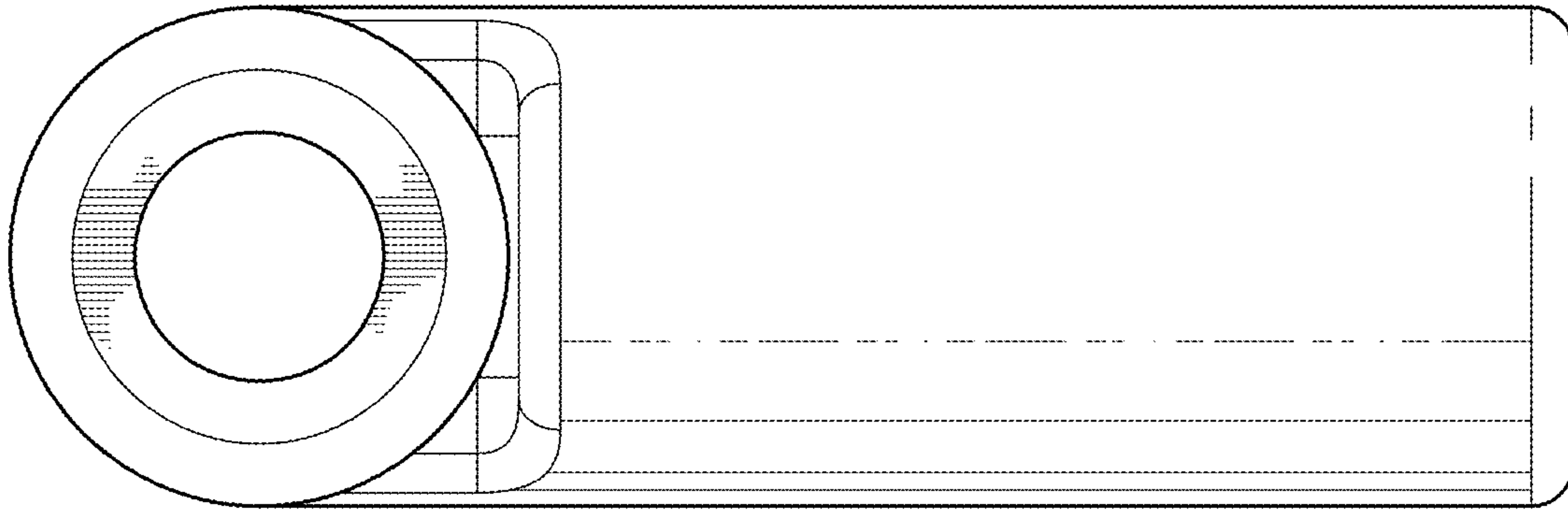


FIG. 10

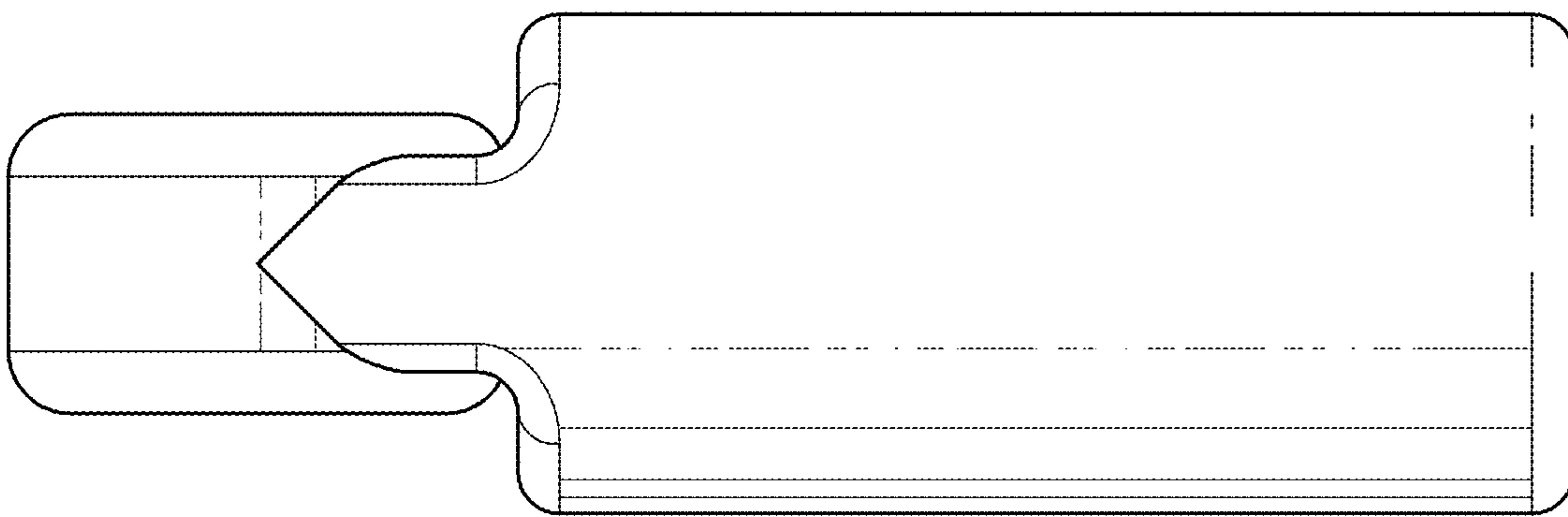


FIG. 11

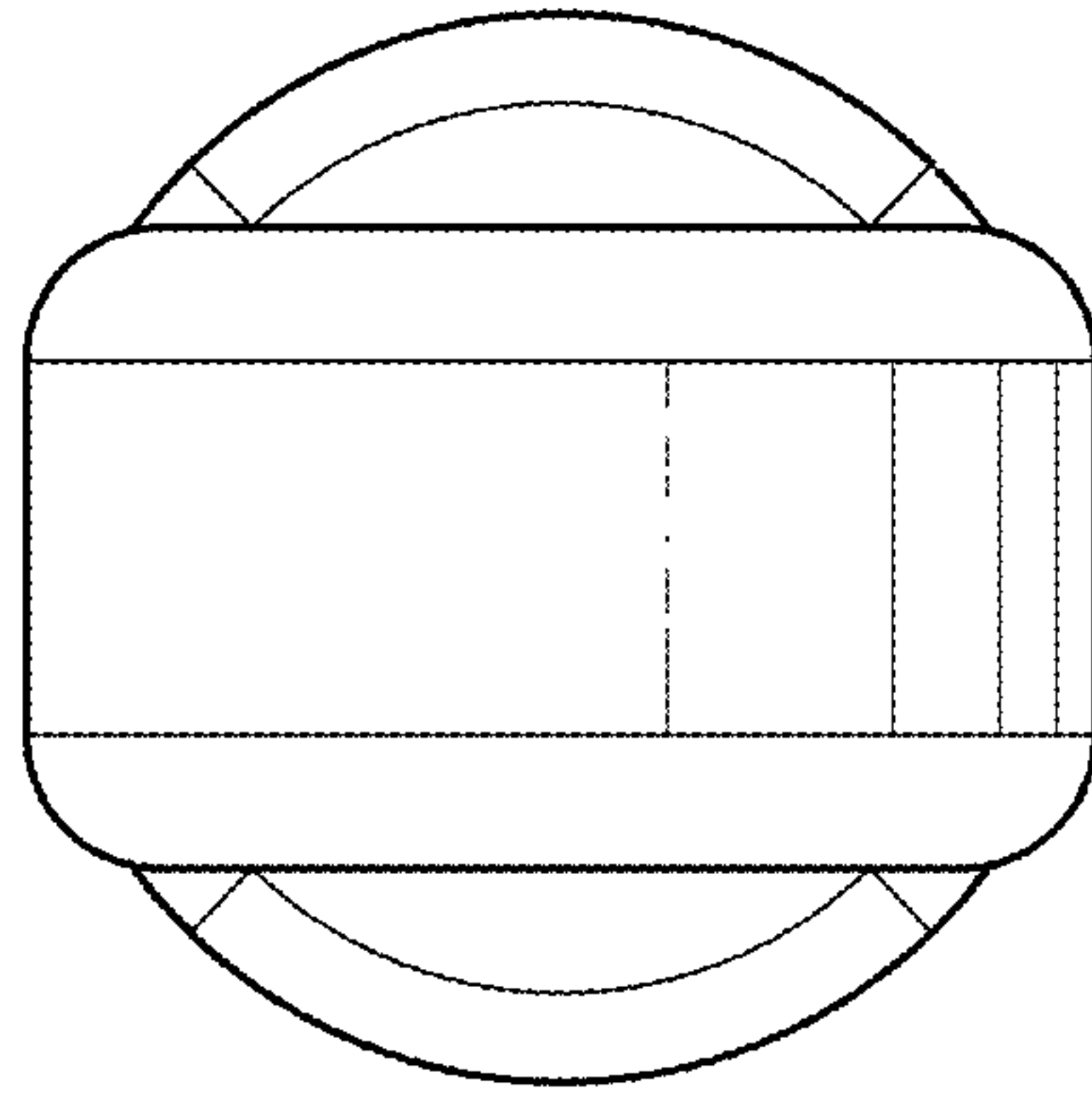


FIG. 12

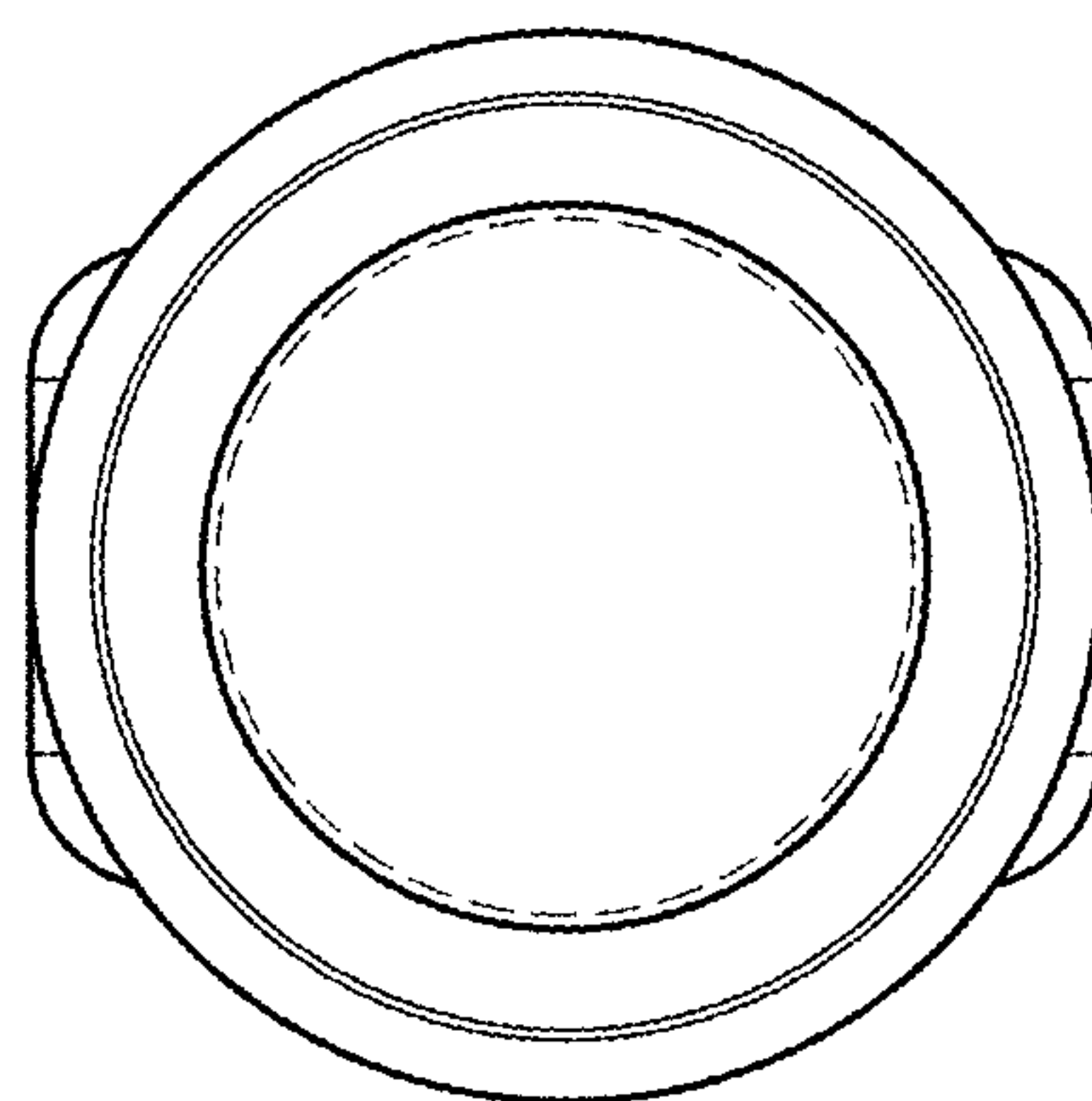


FIG. 13

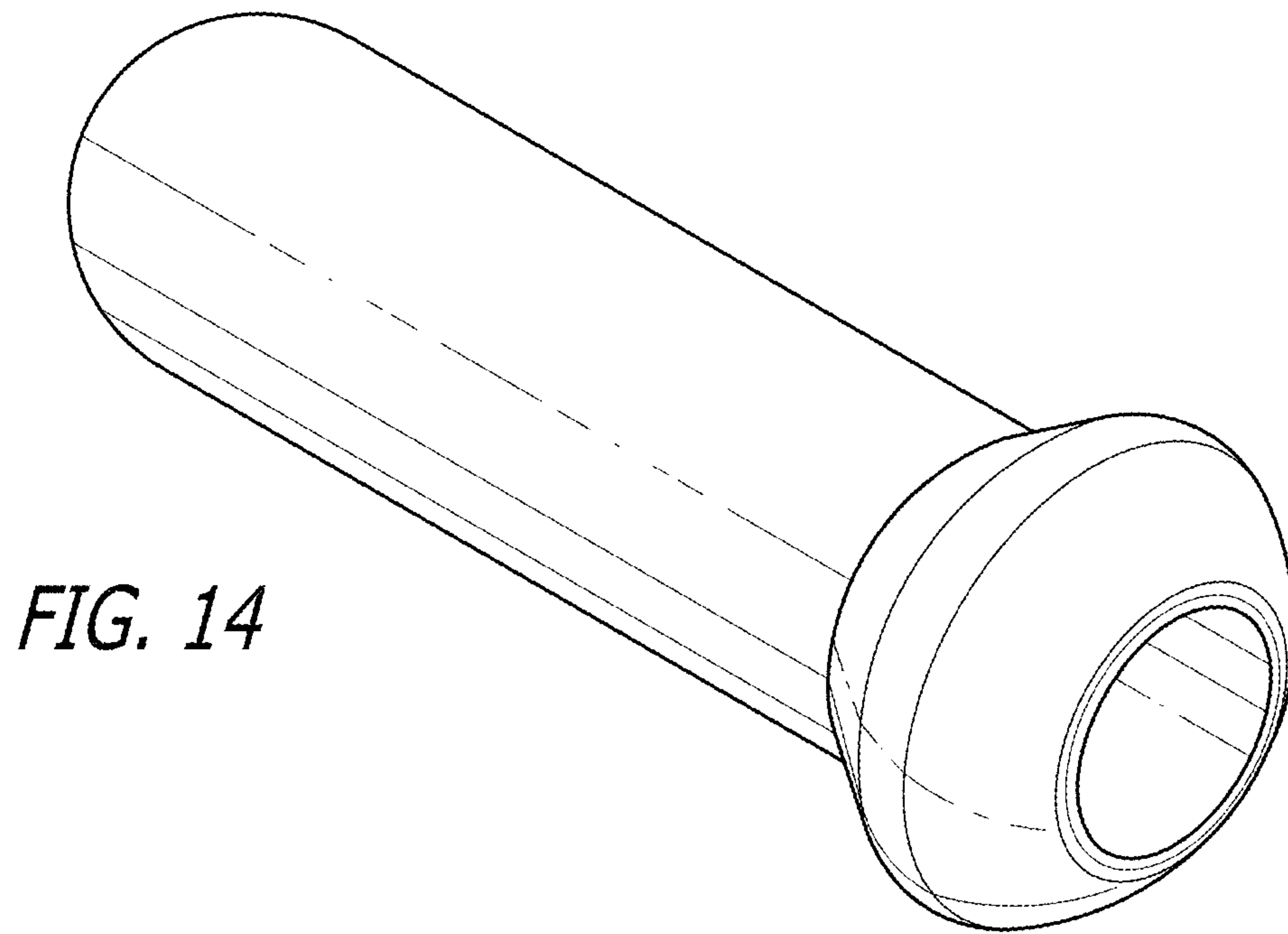


FIG. 14

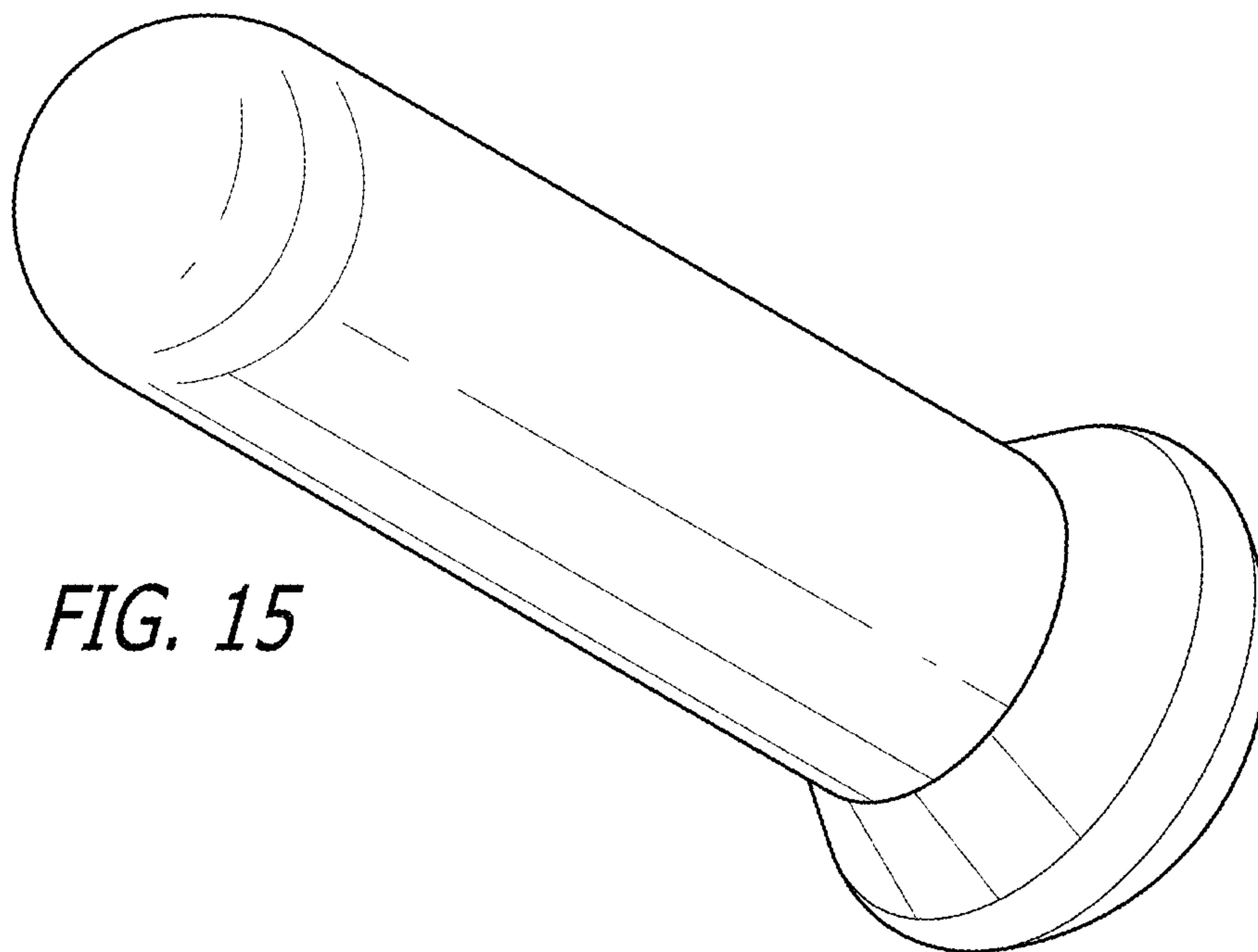


FIG. 15

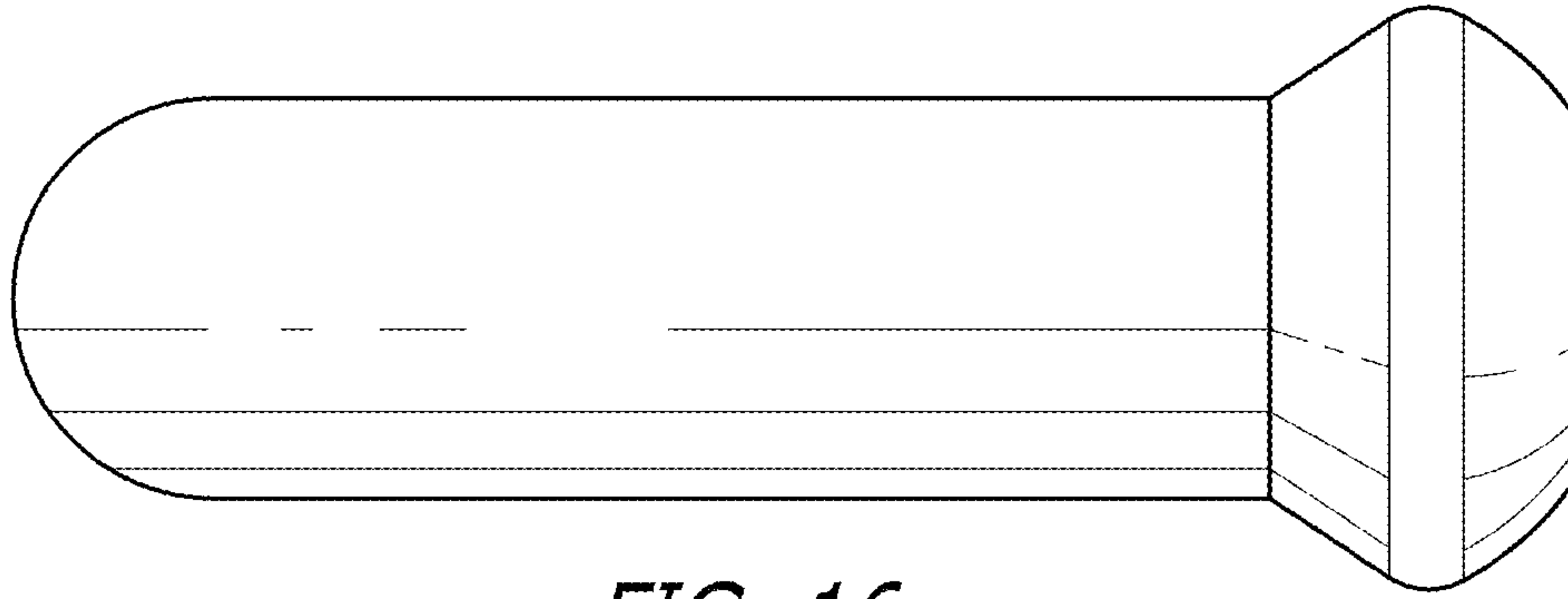


FIG. 16

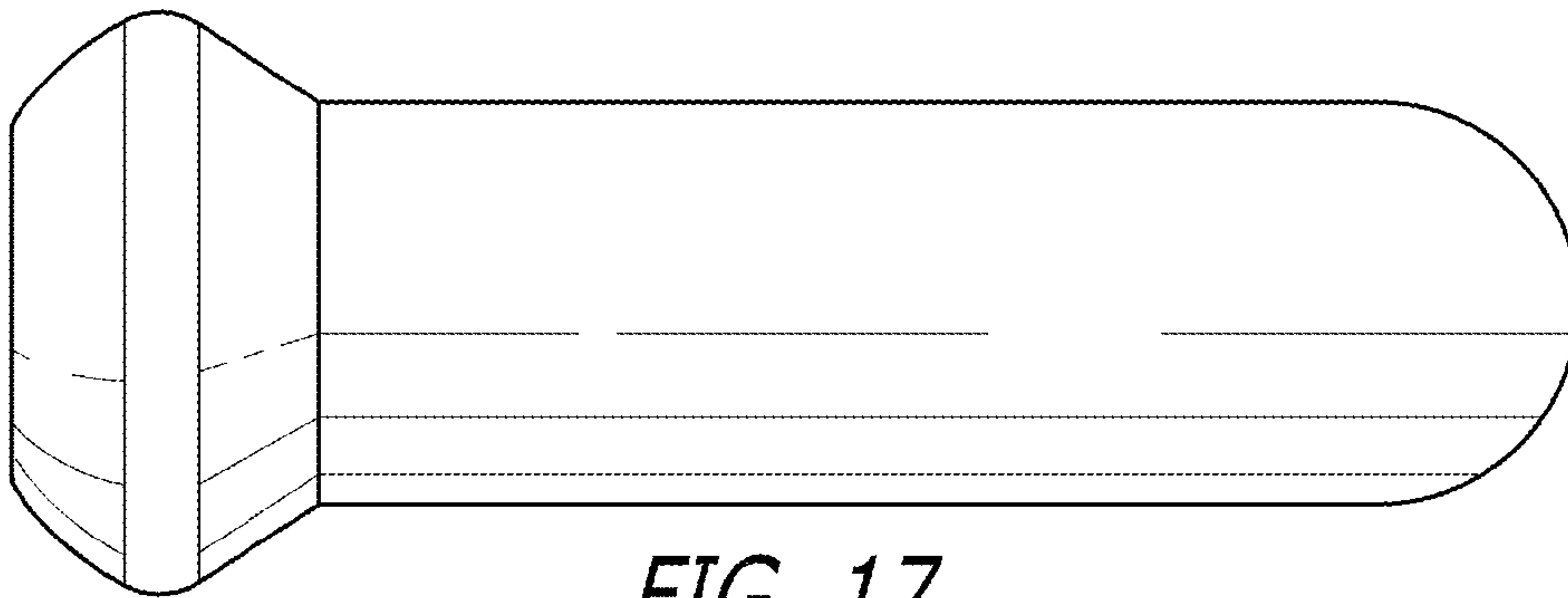


FIG. 17

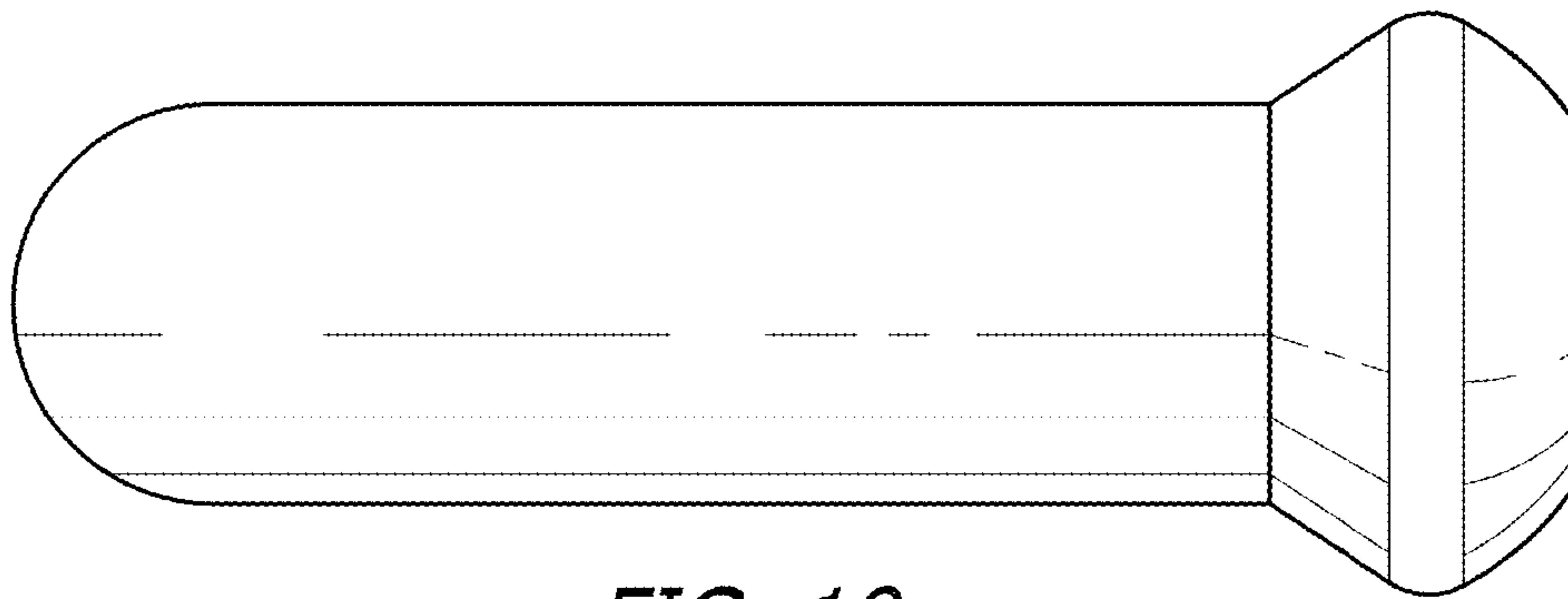


FIG. 18

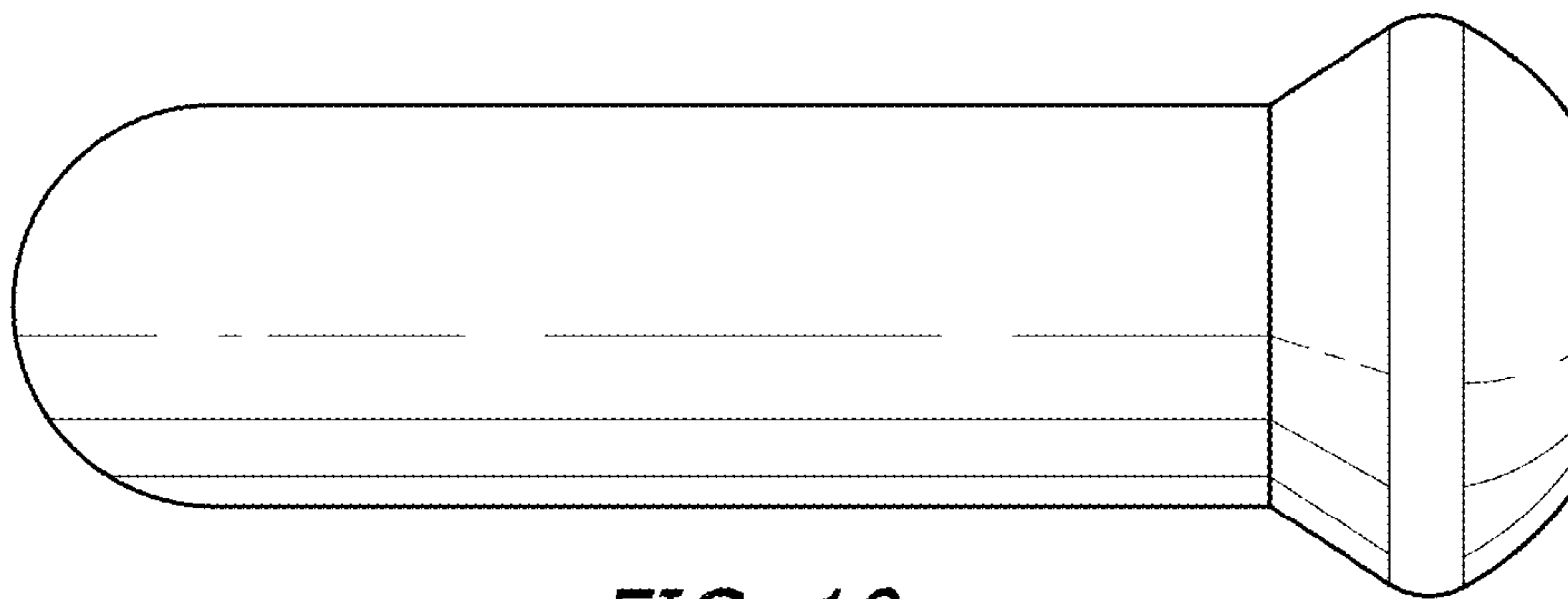


FIG. 19

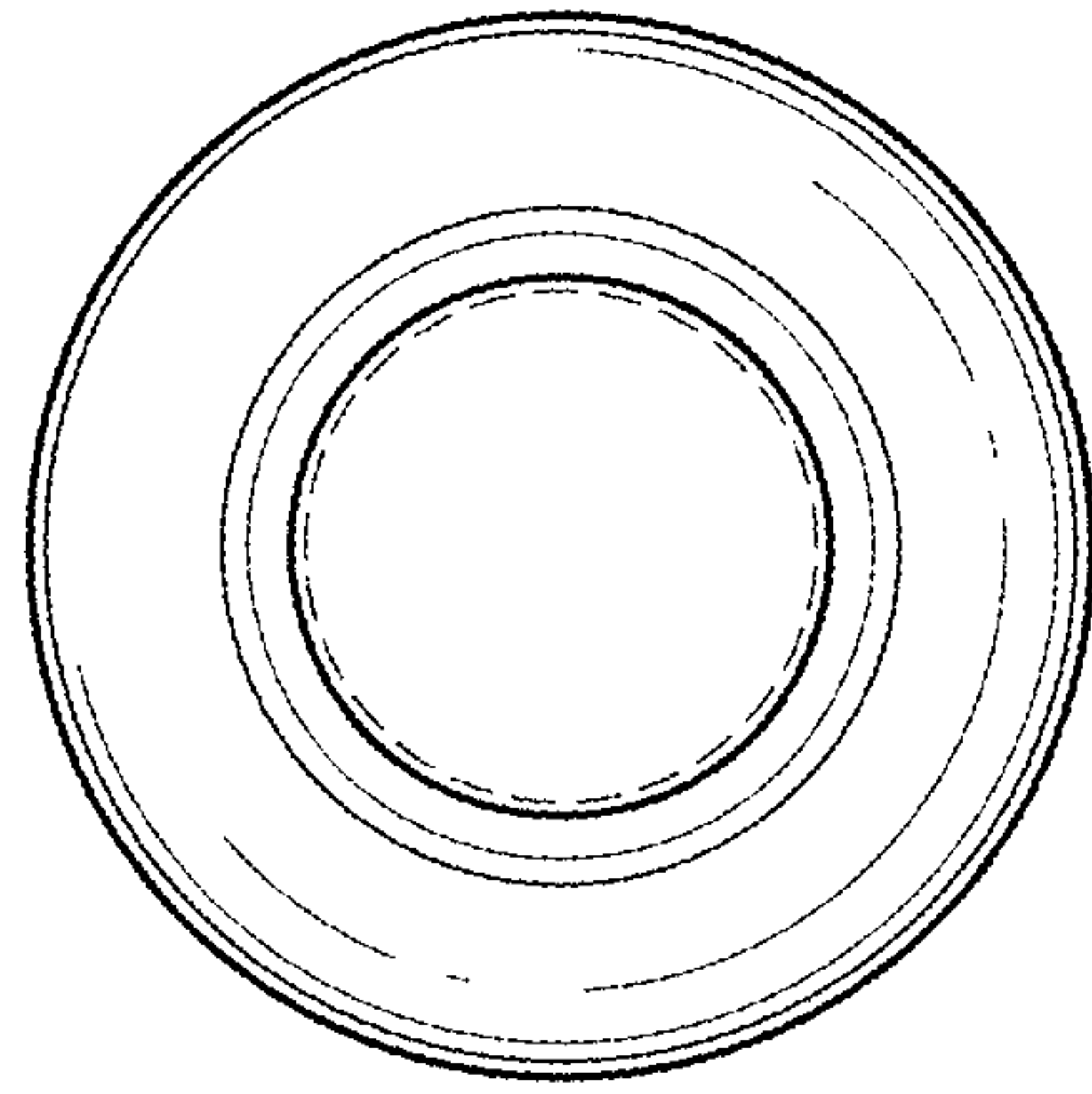


FIG. 20

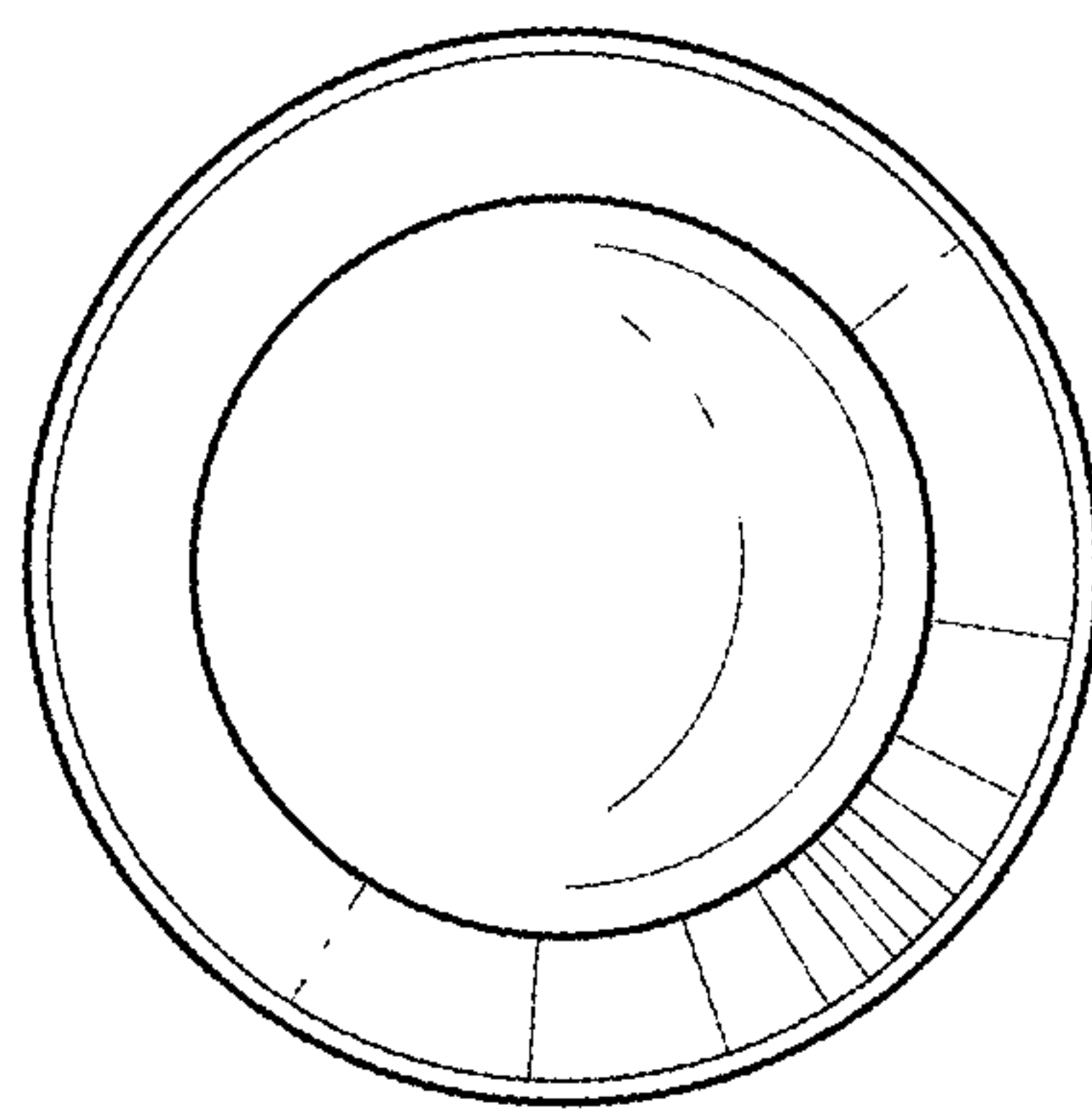


FIG. 21