



US00D891523S

(12) **United States Design Patent** (10) **Patent No.:** **US D891,523 S**
Alonso (45) **Date of Patent:** **** Jul. 28, 2020**

(54) **BOX KITE STRUT CONNECTOR**
(71) Applicant: **Francis A. Alonso**, Santa Monica, CA (US)
(72) Inventor: **Francis A. Alonso**, Santa Monica, CA (US)
(**) Term: **15 Years**
(21) Appl. No.: **29/611,370**

3,468,503 A 9/1969 Snibbe et al.
3,494,578 A 2/1970 Cureton et al.
3,740,008 A 6/1973 Grauel
3,893,641 A 7/1975 Sutton et al.
3,937,426 A 2/1976 Pearce
3,948,471 A 4/1976 Pearce et al.
3,951,363 A 4/1976 Grauel
D240,711 S 7/1976 Angleman et al.
4,076,189 A 2/1978 Powell
D251,181 S 2/1979 Analeman et al.
D251,182 S 2/1979 Angleman et al.
(Continued)

(22) Filed: **Jul. 20, 2017**
(51) **LOC (12) Cl.** **21-01**
(52) **U.S. Cl.**
USPC **D21/453**
(58) **Field of Classification Search**
USPC D12/319-345, 16.1, 1-4, 415, 401;
D21/436-455, 769, 771; D15/199;
D32/21; D25/4; D6/514, 705.7, 706,
D6/675, 675.3, 677.3
CPC B64C 2201/146; B64C 2201/027; B64C
2201/104; B64C 25/06; B64C 25/24;
B64C 39/04; B64C 5/02
See application file for complete search history.

FOREIGN PATENT DOCUMENTS

JP 531259 A 2/1993

OTHER PUBLICATIONS

Non-Final Office Action for U.S. Appl. No. 29/628,160, filed Dec. 1, 2017 on behalf of Francis A. Alonso. dated Mar. 10, 2020. 9 pages.

(Continued)

Primary Examiner — Marissa J Cash
(74) *Attorney, Agent, or Firm* — Steinfl + Bruno LLP

(57) **CLAIM**

The ornamental design for a box kite strut connector, as shown and described.

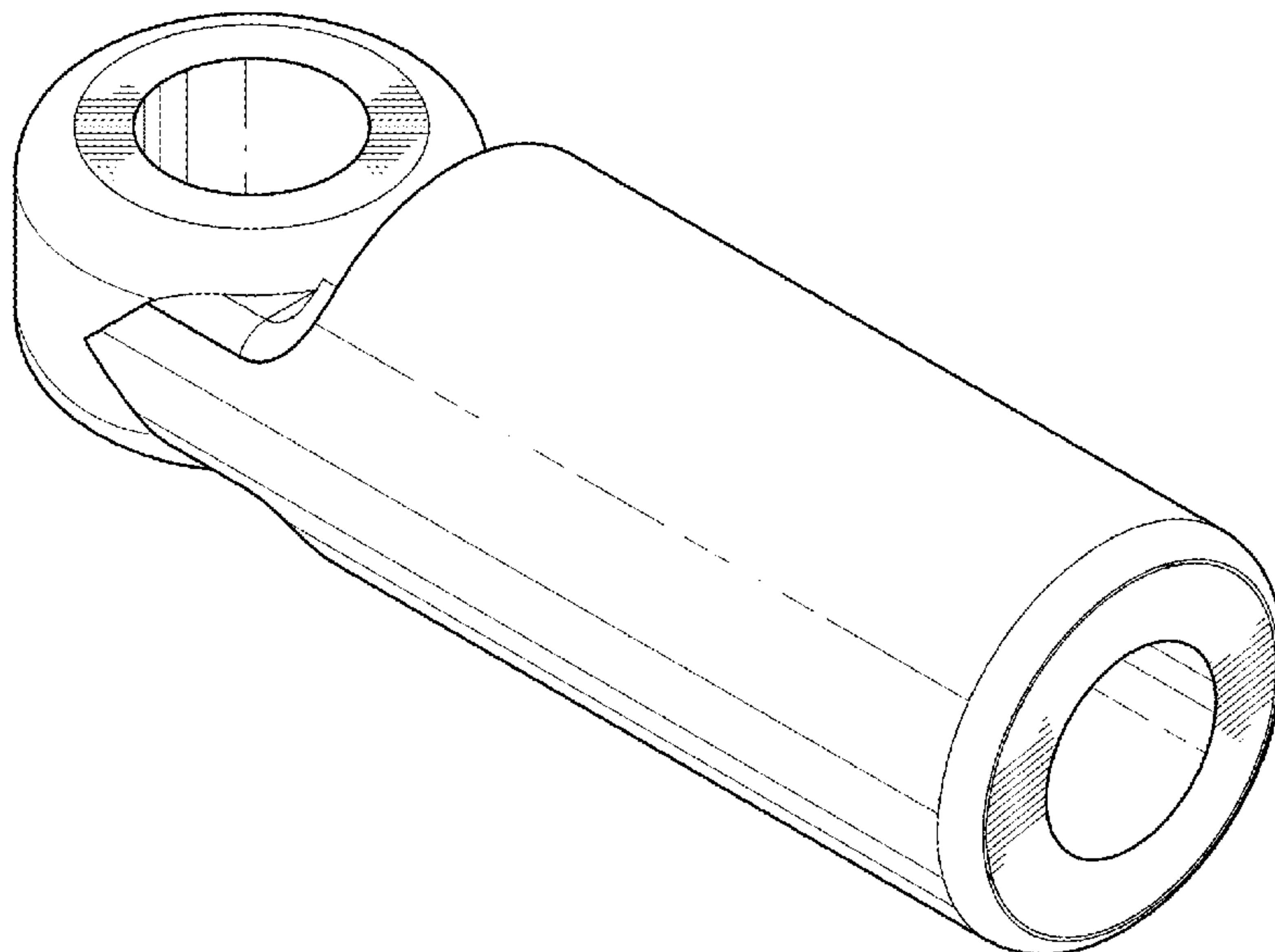
DESCRIPTION

FIG. 1 is a top perspective view showing my new design;
FIG. 2 is a bottom perspective view thereof;
FIG. 3 is a front view thereof;
FIG. 4 is a rear view thereof;
FIG. 5 is a left plan view thereof; and,
FIG. 6 is a right plan view thereof.
The broken lines in the drawings depict portions of the box kite strut connector that form no part of the claimed design.

1 Claim, 3 Drawing Sheets

(56) **References Cited**
U.S. PATENT DOCUMENTS

607,129 A 7/1898 Potter
770,626 A 9/1904 Bell
1,223,163 A 4/1917 Lang
1,328,143 A 1/1920 Fergusson
1,666,813 A 4/1928 Eddy et al.
2,386,762 A 10/1945 Wheelwright et al.
2,533,570 A 12/1950 Foy
2,744,701 A 5/1956 Robey
2,873,077 A 2/1959 Corbin
2,988,309 A 6/1961 Pohl
3,039,722 A 6/1962 Eustis et al.
3,098,634 A 7/1963 Finklea et al.
3,161,386 A 12/1964 Martin et al.
3,327,975 A 6/1967 Vaughan et al.



(56)

References Cited

U.S. PATENT DOCUMENTS

4,159,087 A 6/1979 Moomaw
 4,201,357 A 5/1980 Gambardella
 D289,143 S 4/1987 Guilla
 4,715,564 A 12/1987 Kinn
 4,807,832 A 2/1989 Tabor
 4,813,637 A 3/1989 Bondestam
 4,815,681 A 3/1989 Crowell
 4,830,313 A 5/1989 Cheng
 4,848,704 A 7/1989 Sams
 5,152,481 A 10/1992 Cote
 5,328,134 A 7/1994 Powers
 5,492,288 A 2/1996 Bordelon
 5,690,444 A * 11/1997 Yuuki A44B 19/262
 403/268
 5,727,756 A 3/1998 Rowe
 5,810,294 A * 9/1998 Knight A63H 27/08
 244/153 A
 5,811,728 A 9/1998 Maeda
 5,833,174 A 11/1998 Knight et al.
 D416,131 S * 11/1999 Dafski D3/211
 6,135,388 A 10/2000 Hostetter
 D443,902 S * 6/2001 Wang D21/445
 D446,122 S 8/2001 Weinstein et al.
 D459,216 S 6/2002 Heijdenrijk
 6,598,833 B2 7/2003 Tabor
 6,663,050 B2 12/2003 Tabor
 6,837,463 B2 1/2005 Lynn
 6,854,690 B2 2/2005 Tabor
 D502,745 S 3/2005 Tabor et al.
 6,955,325 B1 10/2005 Tabor et al.
 D541,156 S 4/2007 Florio
 D545,753 S * 7/2007 Hu D12/223
 D581,343 S * 11/2008 Cazals D12/319
 D603,261 S 11/2009 Arnell et al.
 7,621,484 B2 11/2009 Wingert
 D632,633 S * 2/2011 Masson D12/345
 D638,342 S * 5/2011 Masson D12/345

D638,775 S * 5/2011 Masson D12/345
 D638,776 S * 5/2011 Masson D12/345
 D658,935 S 5/2012 Luppino et al.
 D683,221 S 5/2013 Graham et al.
 D708,521 S 7/2014 Buschmann et al.
 D708,939 S 7/2014 Zaikov et al.
 D723,370 S 3/2015 Medlin
 D739,333 S * 9/2015 Goode D12/320
 D743,320 S * 11/2015 Ross D12/345
 D750,008 S * 2/2016 Tran D12/345
 D759,488 S 6/2016 Gibson
 D768,506 S 10/2016 Hua
 D789,201 S 6/2017 Yu
 D790,966 S 7/2017 Roberts et al.
 D798,797 S * 10/2017 Lee D12/345
 D798,964 S * 10/2017 Lee D21/453
 D801,151 S * 10/2017 DiBlasi D8/354
 D813,316 S * 3/2018 Wicken D21/453
 D820,679 S 6/2018 Ali
 D823,689 S 7/2018 Durand
 D862,361 S * 10/2019 Corning D12/330
 D875,183 S * 2/2020 Alonso D21/445
 2007/0120017 A1 * 5/2007 Webb G03B 37/00
 244/153 R
 2015/0147107 A1 5/2015 Suzuki
 2019/0185156 A1 6/2019 Alonso

OTHER PUBLICATIONS

Notice of Allowance for U.S. Appl. No. 15/843,665, filed Dec. 15, 2017 on behalf of KD Technologies, Inc. dated Mar. 23, 2020, 10 pages.
 Notice of Allowance for U.S. Appl. No. 29/628,168, filed Dec. 1, 2017 on behalf of KD Technologies Inc. dated Apr. 1, 2020. 8 pages.
 Restriction Requirement for U.S. Appl. No. 29/628,168, filed Dec. 1, 2017 on behalf of KD Technologies Inc dated Jan. 7, 2020 10 pages.

* cited by examiner

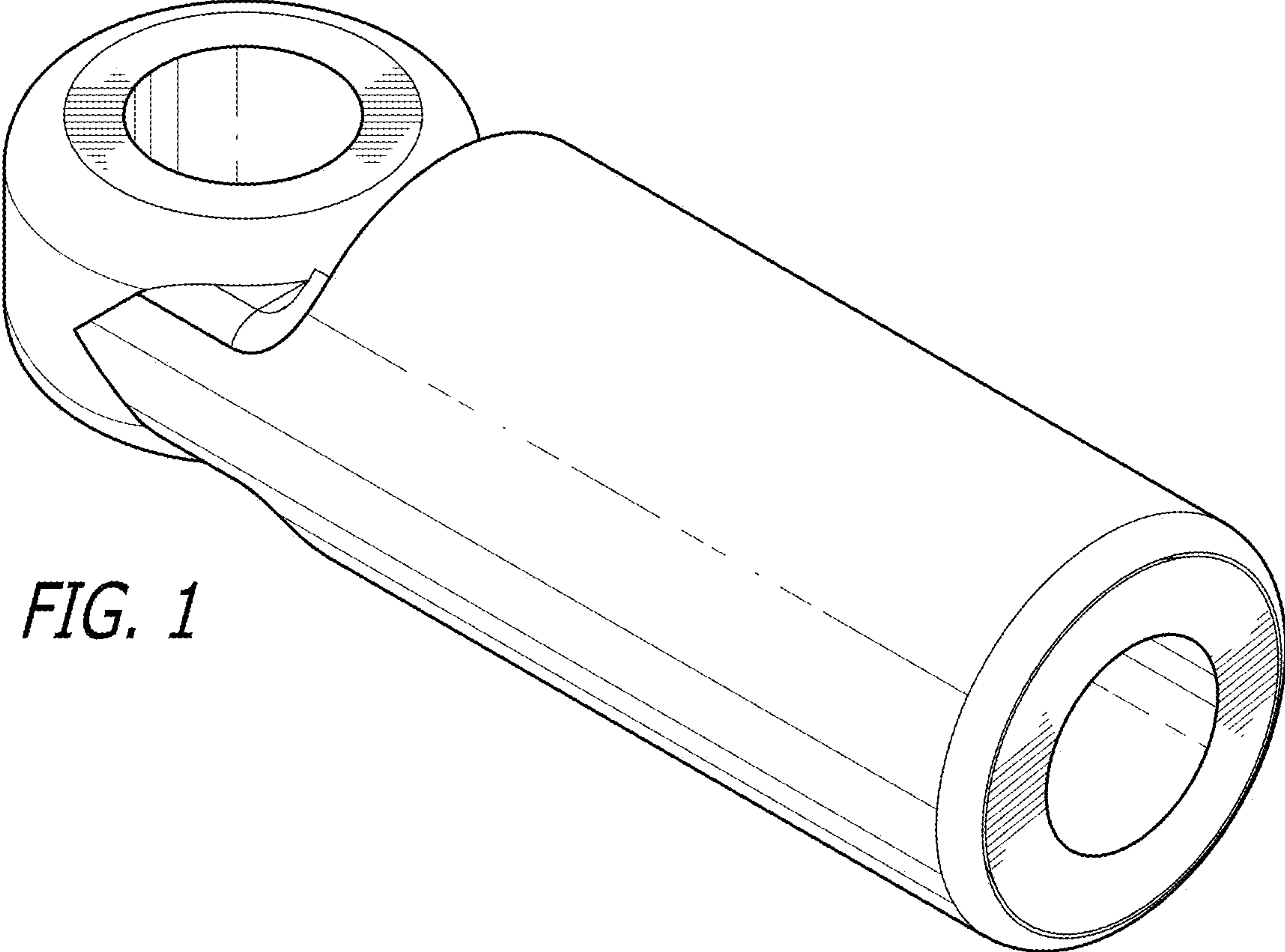


FIG. 1

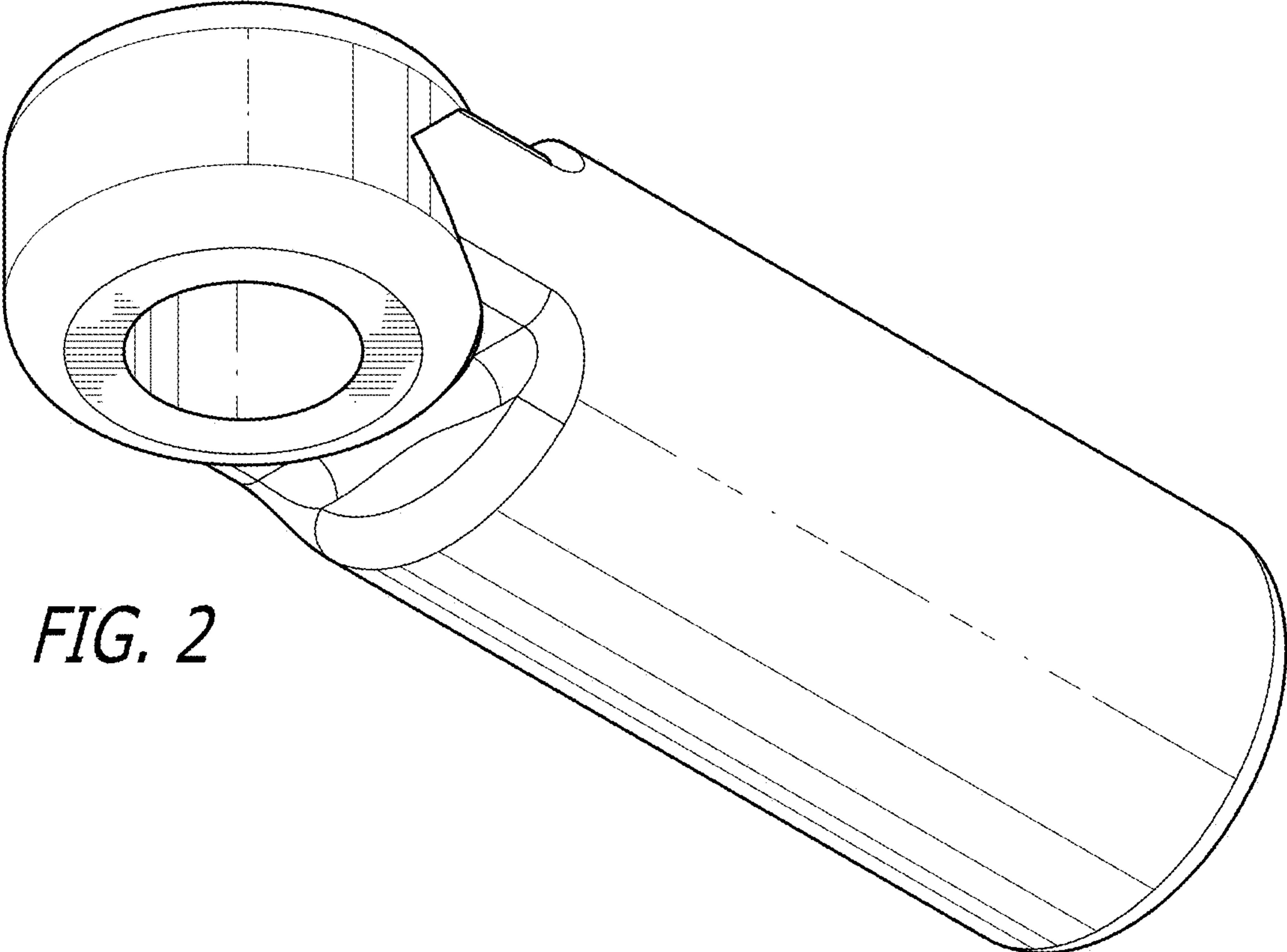


FIG. 2

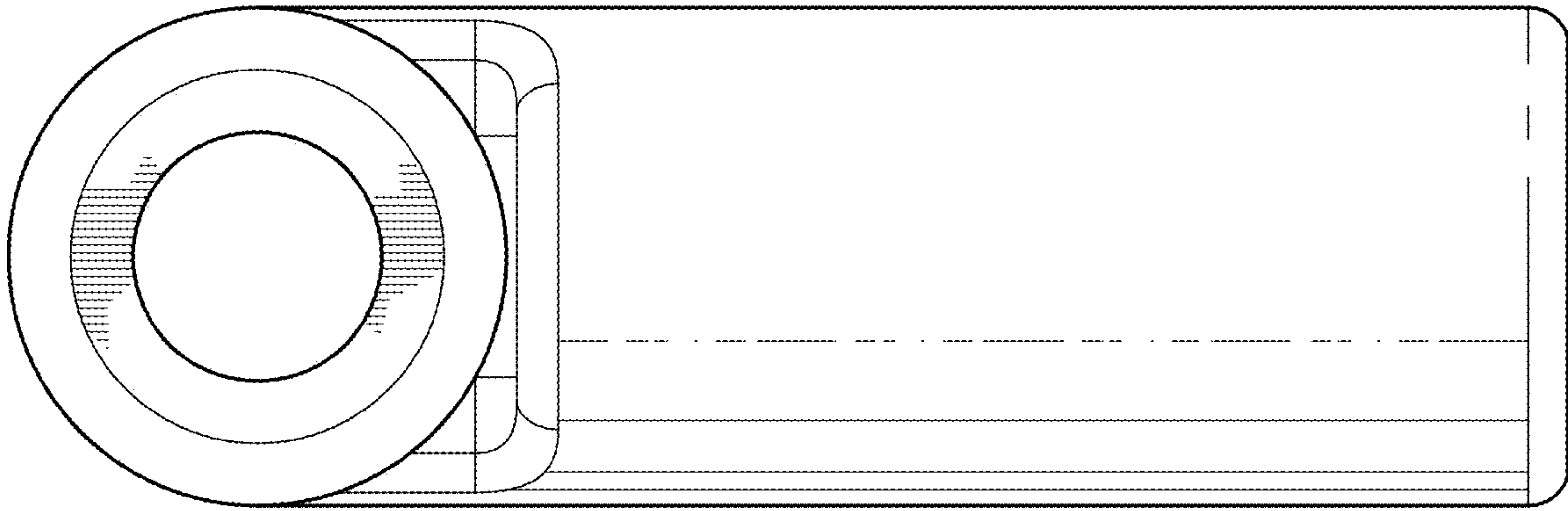


FIG. 3

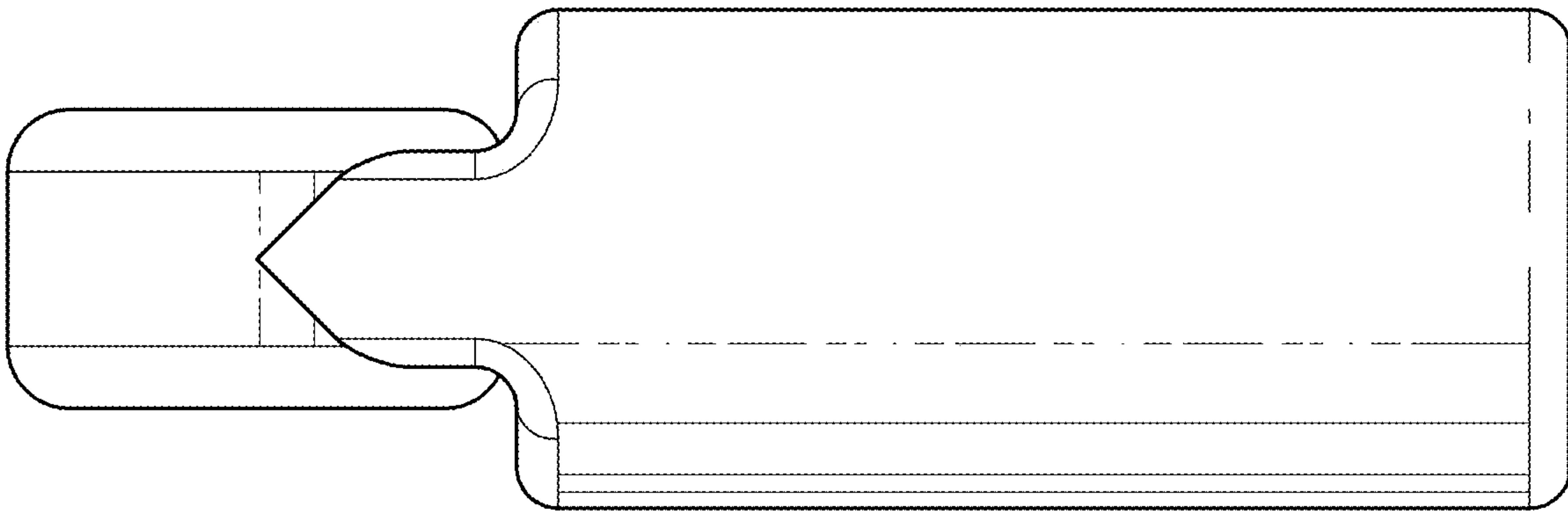


FIG. 4

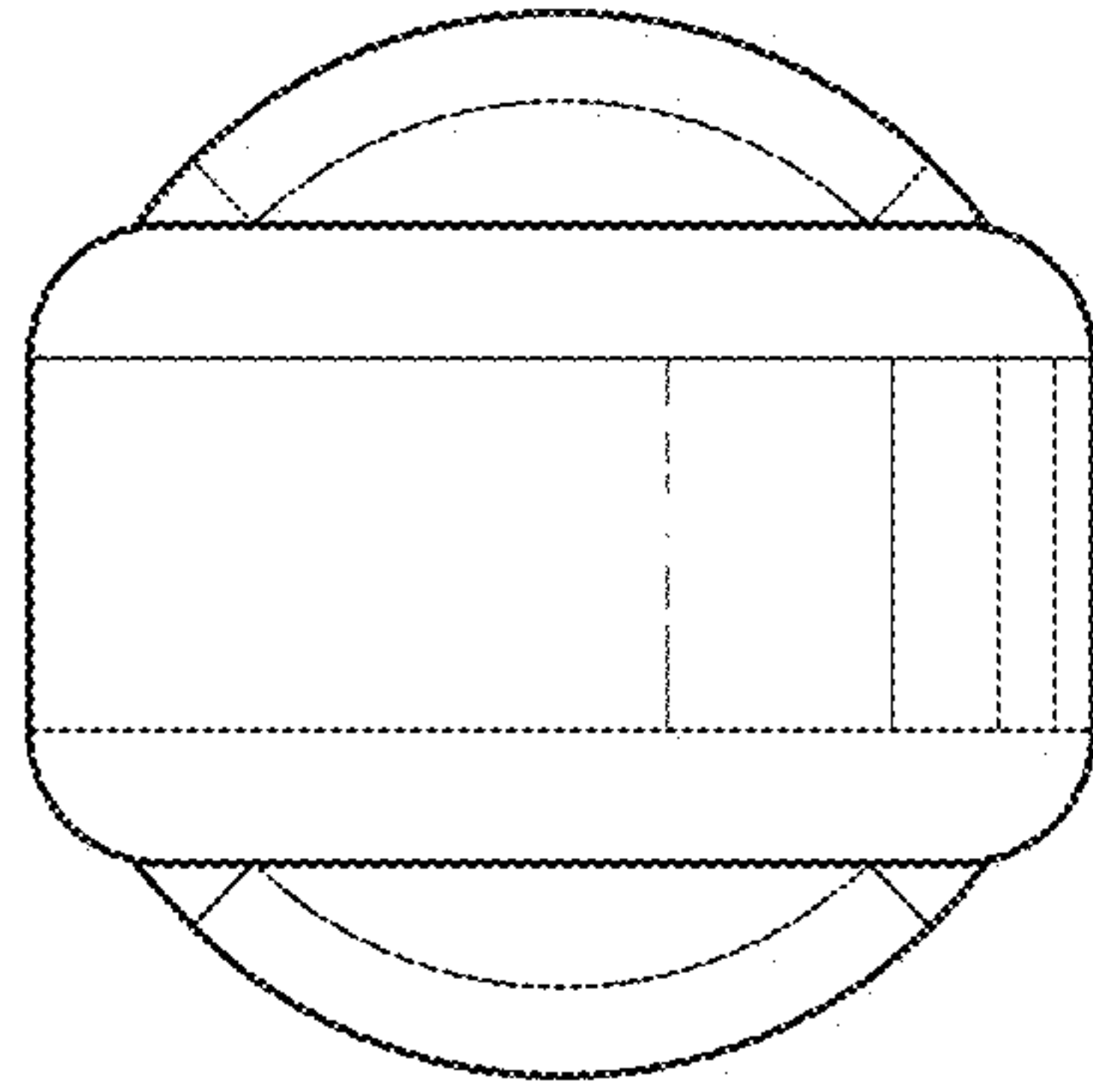


FIG. 5

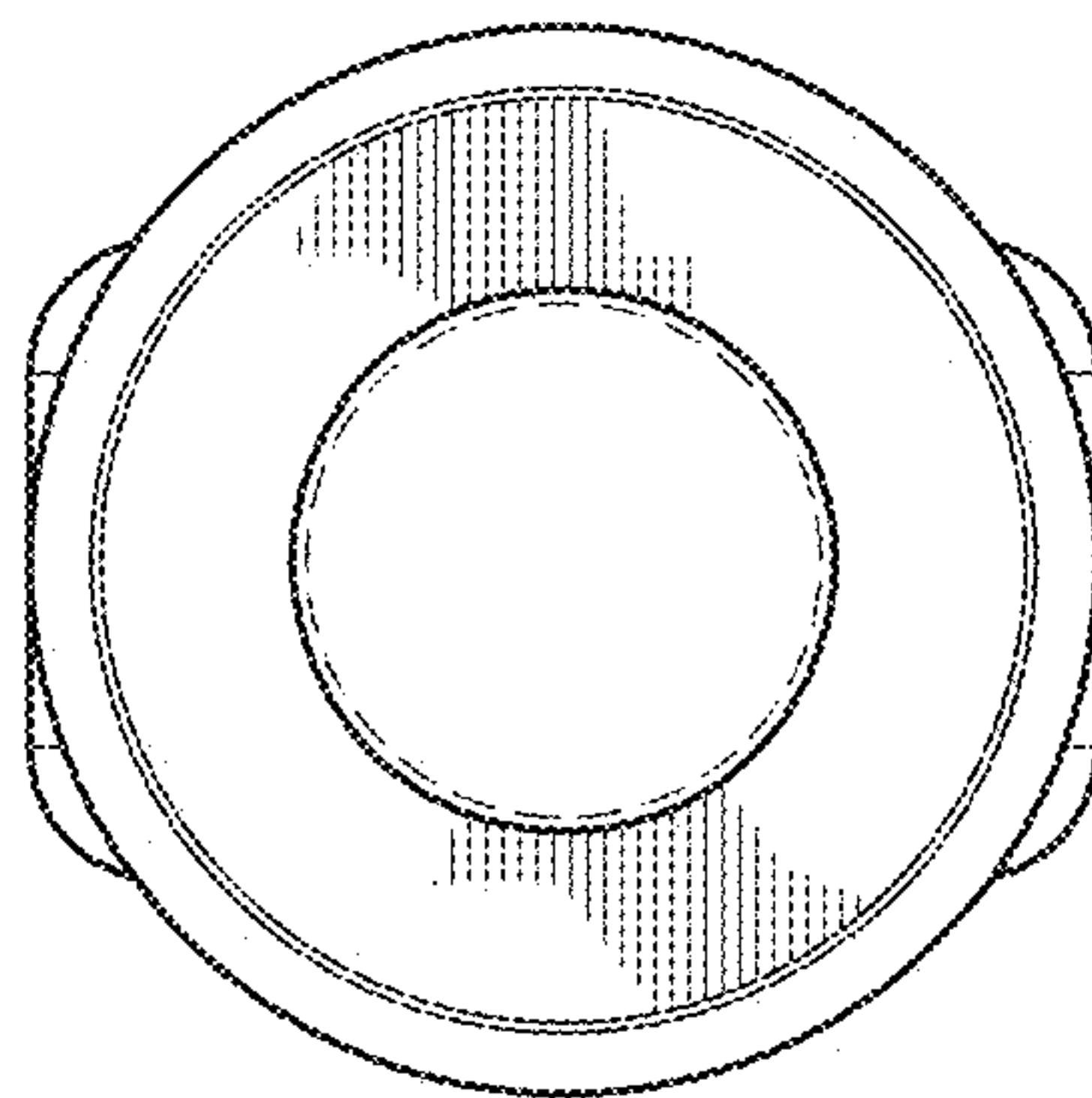


FIG. 6