



US00D891520S

(12) **United States Design Patent**
Urban et al.

(10) **Patent No.:** **US D891,520 S**
(45) **Date of Patent:** **** Jul. 28, 2020**

- (54) **GAMING MACHINE TOPPER**
- (71) Applicant: **Aristocrat Technologies Australia Pty Limited**, North Ryde, NSW (AU)
- (72) Inventors: **Bruce Urban**, Las Vegas, NV (US); **Dominic DeMarco**, Round Rock, TX (US); **Dan Harden**, Palo Alto, CA (US); **Ariel Turgel**, San Francisco, CA (US)
- (73) Assignee: **ARISTOCRAT TECHNOLOGIES AUSTRALIA PTY LIMITED**, North Ryde (AU)

D392,689 S	3/1998	Muraki et al.	
5,765,683 A *	6/1998	Starkle	A45D 40/18 206/235
D396,888 S	8/1998	Hayashi	
D396,898 S	8/1998	Tsuda	
5,943,836 A *	8/1999	Kassardjian	E04G 21/32 248/523
D413,936 S	9/1999	Uehara	
D457,245 S *	5/2002	Royal	D24/197
D510,959 S	10/2005	Morrison	
D549,788 S *	8/2007	Parsey	D21/563
D694,833 S *	12/2013	Landau	D21/385
D714,875 S *	10/2014	Wudtke	D21/385
D715,364 S *	10/2014	Wudtke	D21/385
D726,161 S *	4/2015	Howard	D14/218
D739,978 S *	9/2015	Oliveras	D26/118
D763,210 S *	8/2016	Park	D14/125
D784,287 S *	4/2017	Murray	D14/168
D792,520 S	7/2017	Hohman	

(**) Term: **15 Years**

(21) Appl. No.: **29/612,904**

(22) Filed: **Aug. 4, 2017**

(51) **LOC (12) Cl.** **21-01**

(52) **U.S. Cl.**
USPC **D21/385**

(58) **Field of Classification Search**
USPC D26/118, 119, 120, 121, 122; D21/324, D21/325, 329, 330, 331, 332, 333, 385; D14/496, 125, 126, 127, 128, 129, 133, D14/217, 239; D6/672, 675, 681
CPC G06F 1/1601; G06F 1/1603; G06F 1/1605; G06F 1/1647; G06F 1/1652
See application file for complete search history.

(56) **References Cited**

U.S. PATENT DOCUMENTS

5,257,696 A *	11/1993	Greene	A45D 42/02 132/304
5,350,105 A *	9/1994	Delalle	H01R 4/723 228/56.3
5,390,804 A *	2/1995	Beggins	B65D 23/0885 215/12.1

(Continued)

Primary Examiner — George D. Kirschbaum

Assistant Examiner — Joseph J Kukella

(74) *Attorney, Agent, or Firm* — Armstrong Teasdale LLP

(57) **CLAIM**

We claim the ornamental design for a gaming machine topper, as shown and described.

DESCRIPTION

FIG. 1 is a perspective view of an exemplary bank of gaming machines including an exemplary gaming machine topper in accordance with the new design.

FIG. 2 is a front side view thereof.

FIG. 3 is a left view thereof.

FIG. 4 is a right view thereof.

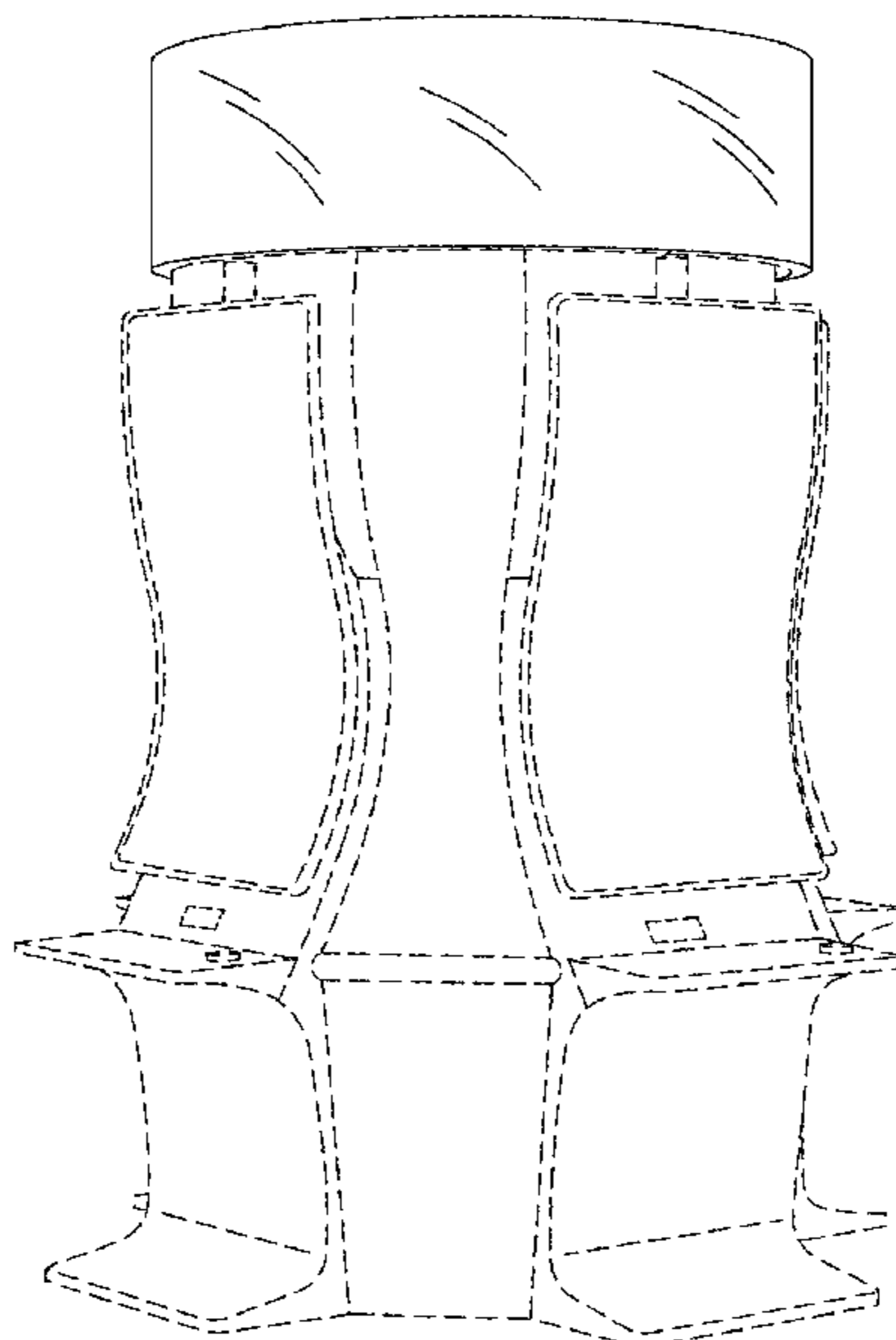
FIG. 5 is a rear view thereof.

FIG. 6 is a top view thereof; and,

FIG. 7 is a bottom view thereof.

In the drawings, the broken lines depict environmental subject matter only and form no part of the claimed design.

1 Claim, 7 Drawing Sheets



(56)

References Cited

U.S. PATENT DOCUMENTS

D826,003	S	*	8/2018	Seiders	D7/624.2
D827,598	S	*	9/2018	Kwon	D14/125
D845,258	S	*	4/2019	D'Ambrosio	D14/125
D859,335	S	*	9/2019	D'Ambrosio	D14/125
D873,821	S	*	1/2020	Song	D14/371

* cited by examiner

FIG. 1

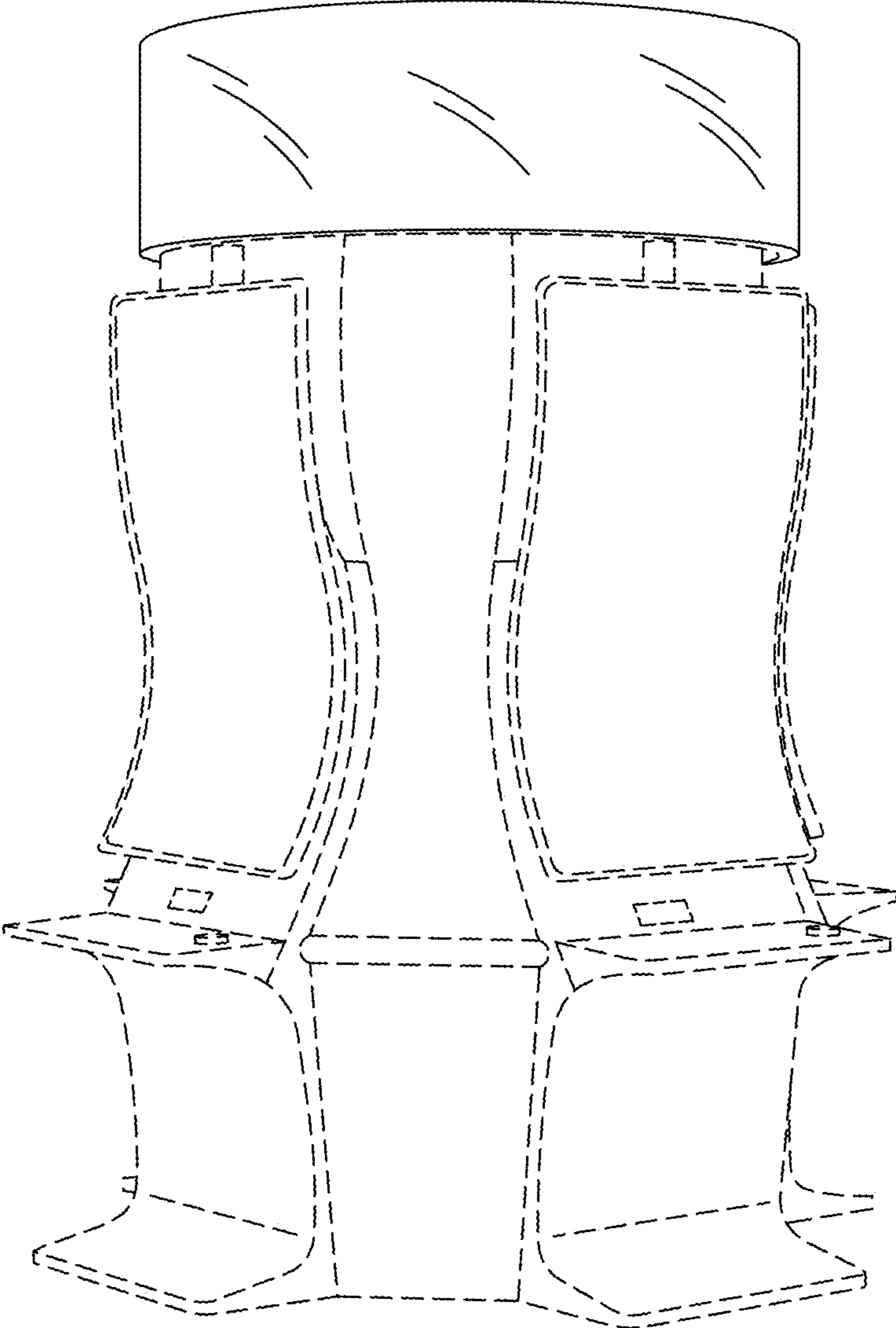


FIG. 2

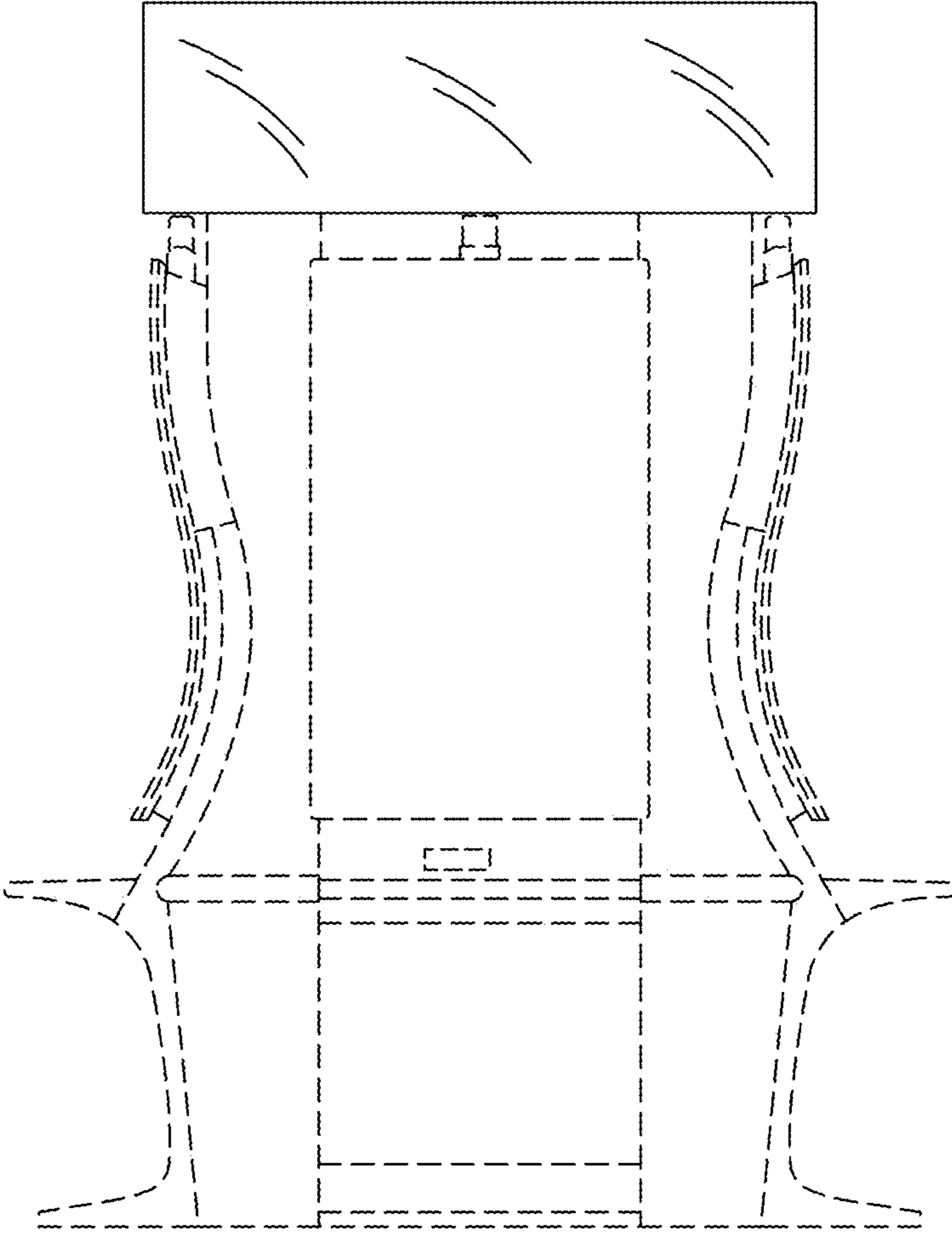


FIG. 3

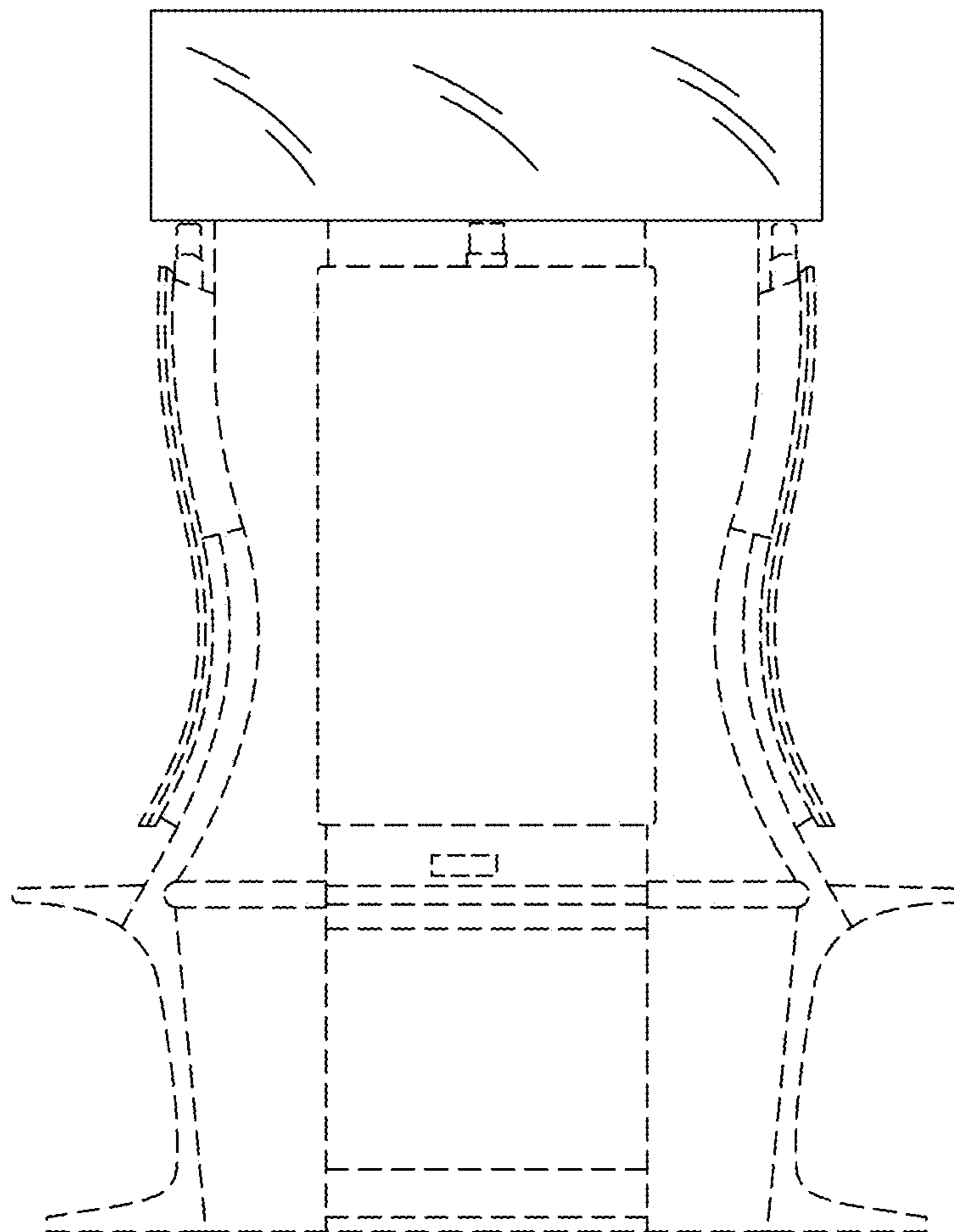


FIG. 4

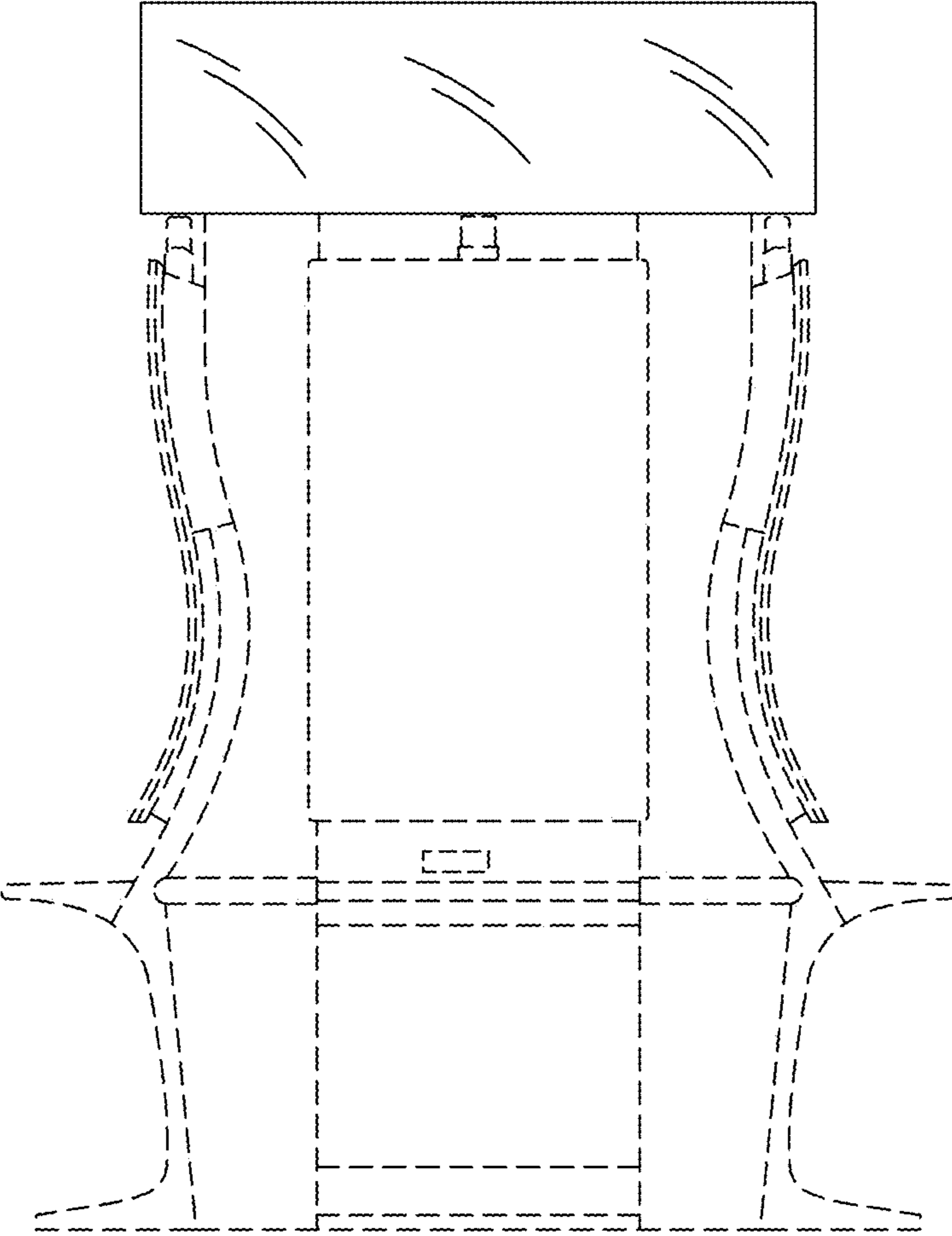


FIG. 5

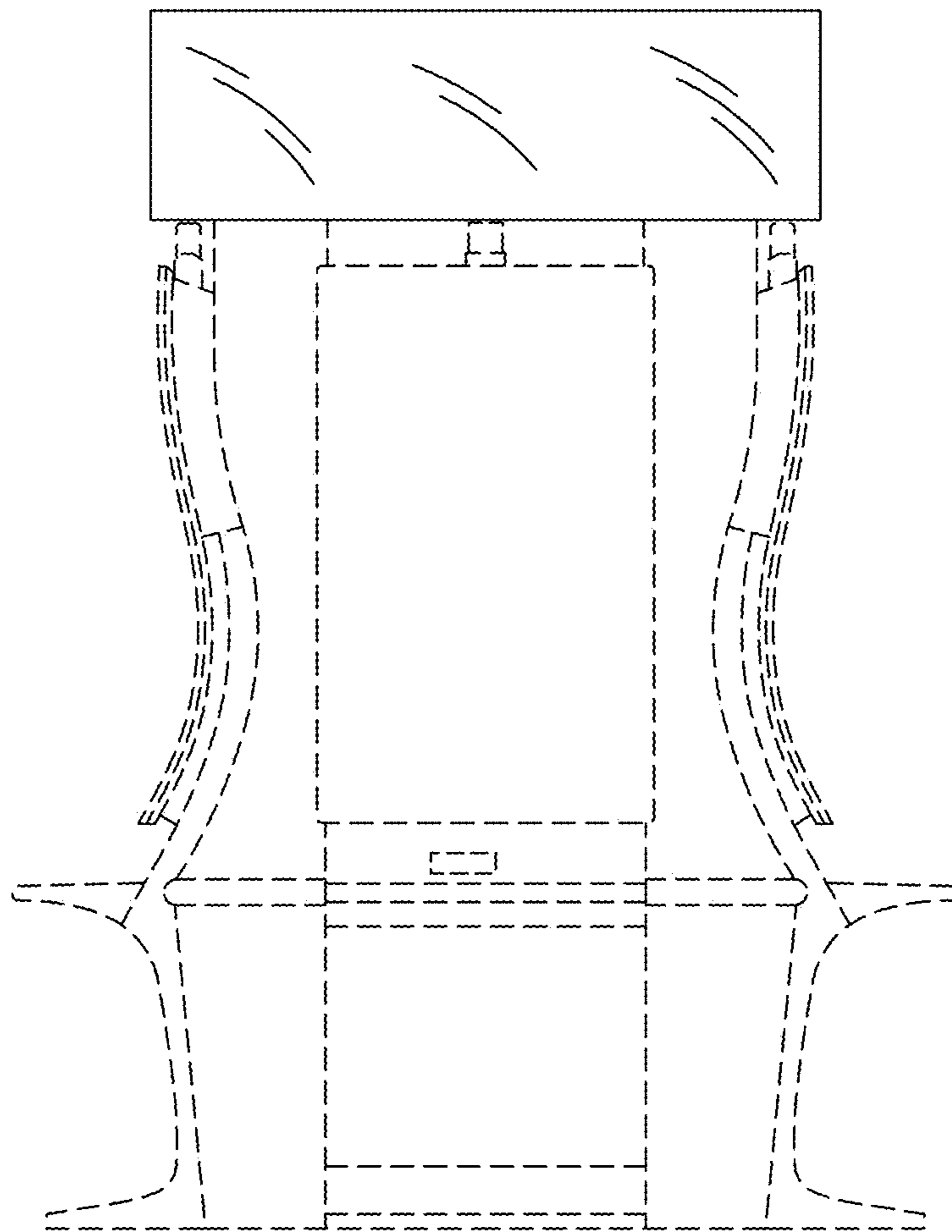


FIG. 6

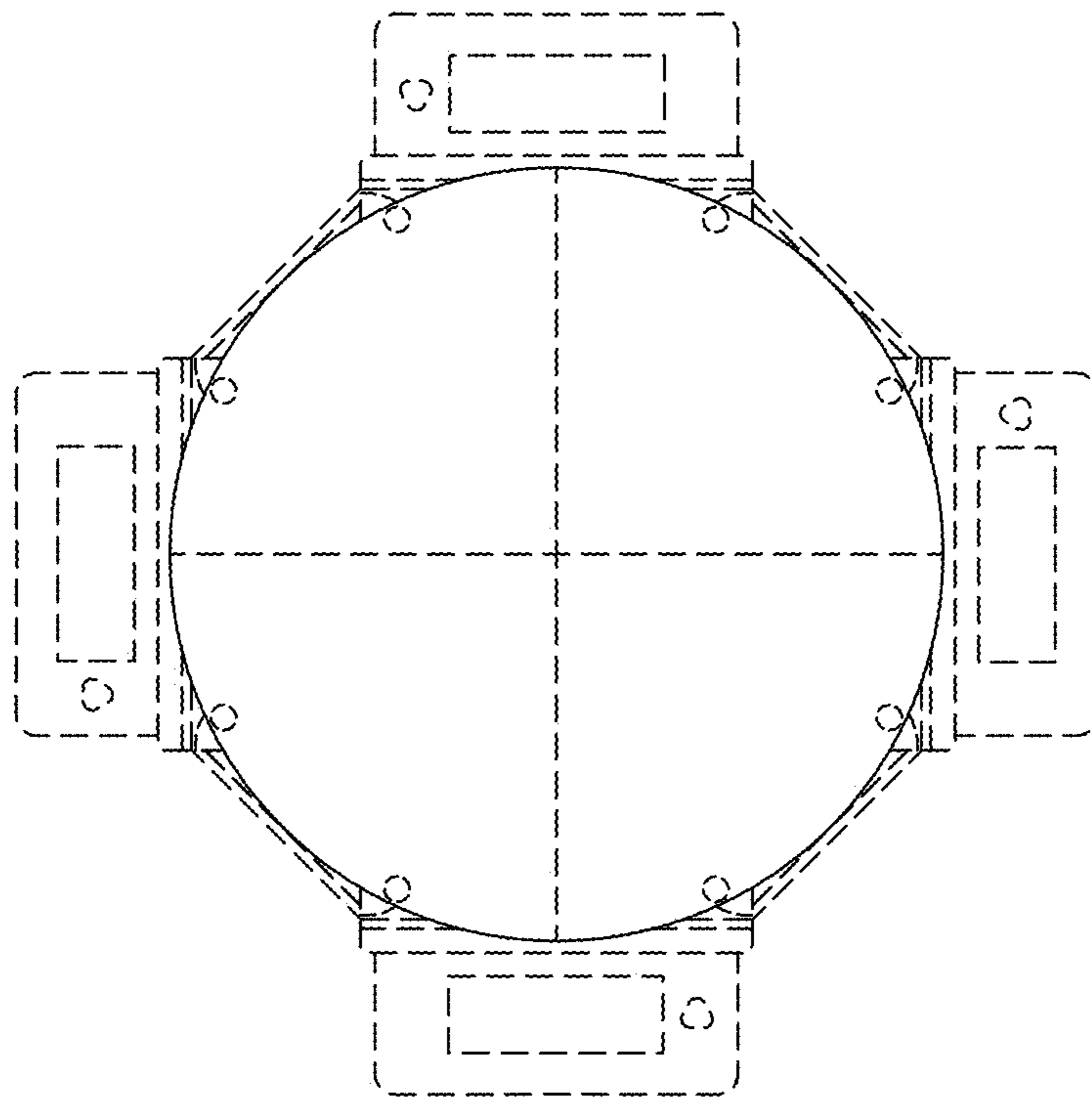


FIG. 7

