



US00D891516S

(12) **United States Design Patent**  
**Sakai**

(10) **Patent No.:** **US D891,516 S**  
(45) **Date of Patent:** **\*\* Jul. 28, 2020**

- (54) **BEAD TRAY**
- (71) Applicant: **EPOCH COMPANY, LTD**, Taito-ku, Tokyo (JP)
- (72) Inventor: **Ryo Sakai**, Tokyo (JP)
- (73) Assignee: **EPOCH COMPANY, LTD.**, Tokyo (JP)
- (\*\*) Term: **15 Years**
- (21) Appl. No.: **29/671,865**
- (22) Filed: **Nov. 30, 2018**
- (51) **LOC (12) Cl.** ..... **19-06**
- (52) **U.S. Cl.**  
USPC ..... **D19/111**
- (58) **Field of Classification Search**  
USPC ..... D19/108, 111, 113, 114; D7/552.1, 698; D21/469  
CPC ..... A63H 33/00; A63H 33/06; A63H 33/08; A63H 33/086; A63H 33/088; A63H 33/001; A63H 33/14; A63F 9/06; B44C 3/00; B44C 3/12; B44C 3/123; G09F 9/37  
See application file for complete search history.

- D530,371 S \* 10/2006 Balzer ..... D19/111
- D534,215 S \* 12/2006 Nakata ..... D19/113
- 7,390,237 B2 \* 6/2008 Lin ..... A63F 9/06  
273/282.1
- 7,677,564 B2 \* 3/2010 Kriger ..... A63F 3/0415  
273/148 R
- 8,827,711 B2 \* 9/2014 Davis, II ..... G09F 5/02  
434/96
- 9,320,330 B2 \* 4/2016 Cooke ..... A63F 9/06
- 9,615,671 B1 \* 4/2017 Janay ..... A63H 33/04
- 9,956,495 B2 \* 5/2018 Kamiyama ..... A63F 9/06
- 10,328,356 B1 \* 6/2019 Harper ..... B44B 9/00
- 10,478,740 B2 \* 11/2019 Sakai ..... A63H 33/001
- 2002/0102905 A1 \* 8/2002 Tseng ..... A63H 33/26  
446/131
- 2005/0239038 A1 \* 10/2005 Olsen ..... G09B 11/04  
434/409
- 2016/0354705 A1 \* 12/2016 Poulus ..... A63H 33/086  
(Continued)

*Primary Examiner* — Elizabeth A. Albert  
(74) *Attorney, Agent, or Firm* — Fitzgerald IP Law; John K Fitzgerald, Esq.

(57) **CLAIM**

The ornamental design for a bead tray, as shown and described.

(56) **References Cited**

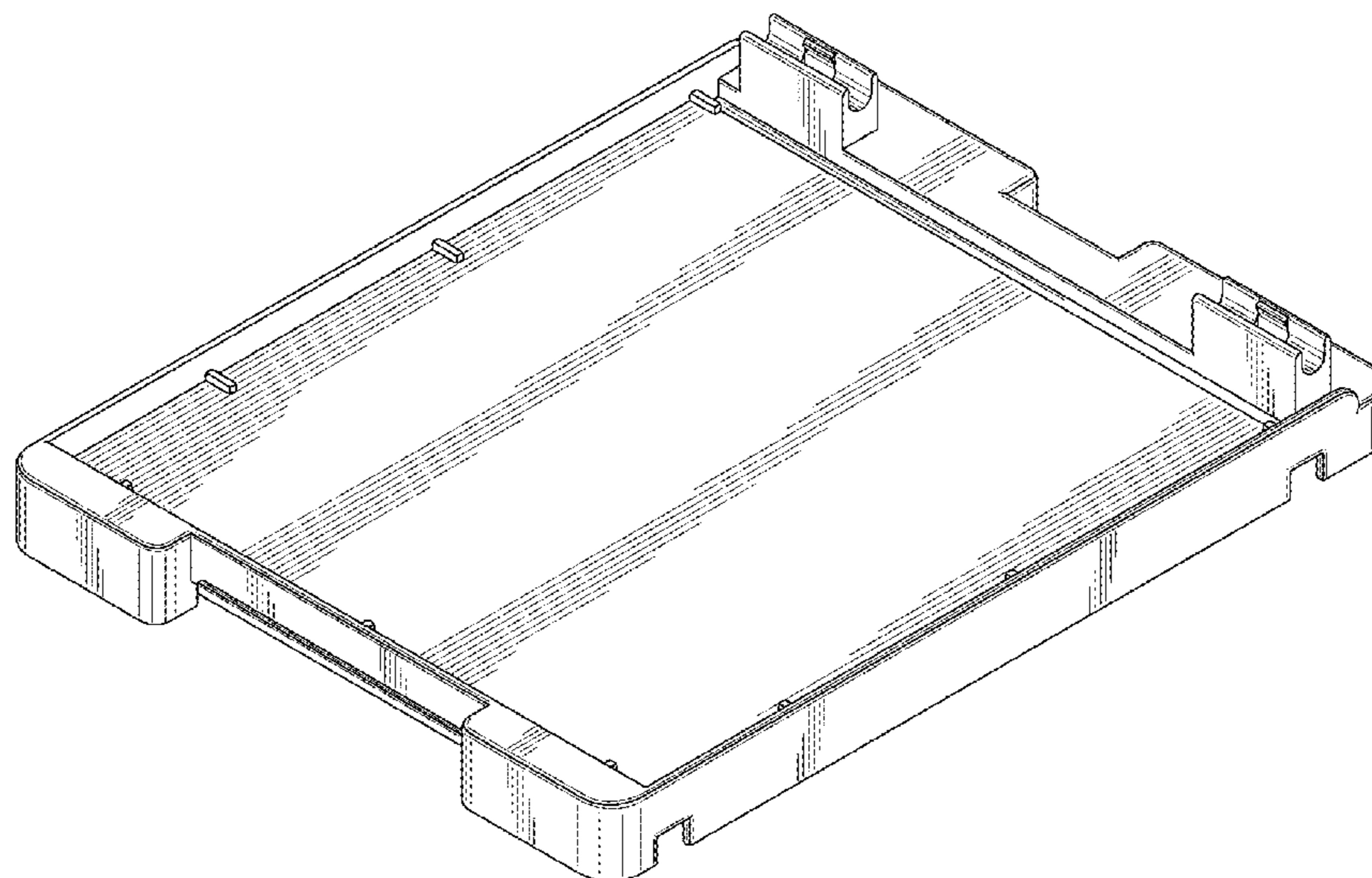
U.S. PATENT DOCUMENTS

- 2,923,452 A \* 2/1960 Holovka, Jr. .... G06K 19/00  
225/93
- D222,882 S \* 1/1972 Sharer ..... D19/113
- D224,751 S \* 9/1972 Propst ..... D7/554.3
- 4,246,702 A \* 1/1981 Burt ..... B43L 13/201  
33/27.11
- 4,986,756 A \* 1/1991 Yamaguchi ..... A63F 9/06  
273/157 R
- D344,975 S \* 3/1994 Tarozzi ..... D19/113
- 5,704,789 A \* 1/1998 Yang ..... B44C 3/123  
221/185
- D405,472 S \* 2/1999 Kim ..... D20/10
- D521,558 S \* 5/2006 Shimizu ..... D19/113

**DESCRIPTION**

FIG. 1 is a perspective view of a front, bottom and right side of a bead tray showing my new design;  
FIG. 2 is a perspective view of the rear, top and left side thereof;  
FIG. 3 is a front view thereof;  
FIG. 4 is a rear view thereof;  
FIG. 5 is a top plan view thereof;  
FIG. 6 is a bottom plan view thereof;  
FIG. 7 is a right side view thereof; and,  
FIG. 8 is a left side view thereof.

**1 Claim, 8 Drawing Sheets**



(56)

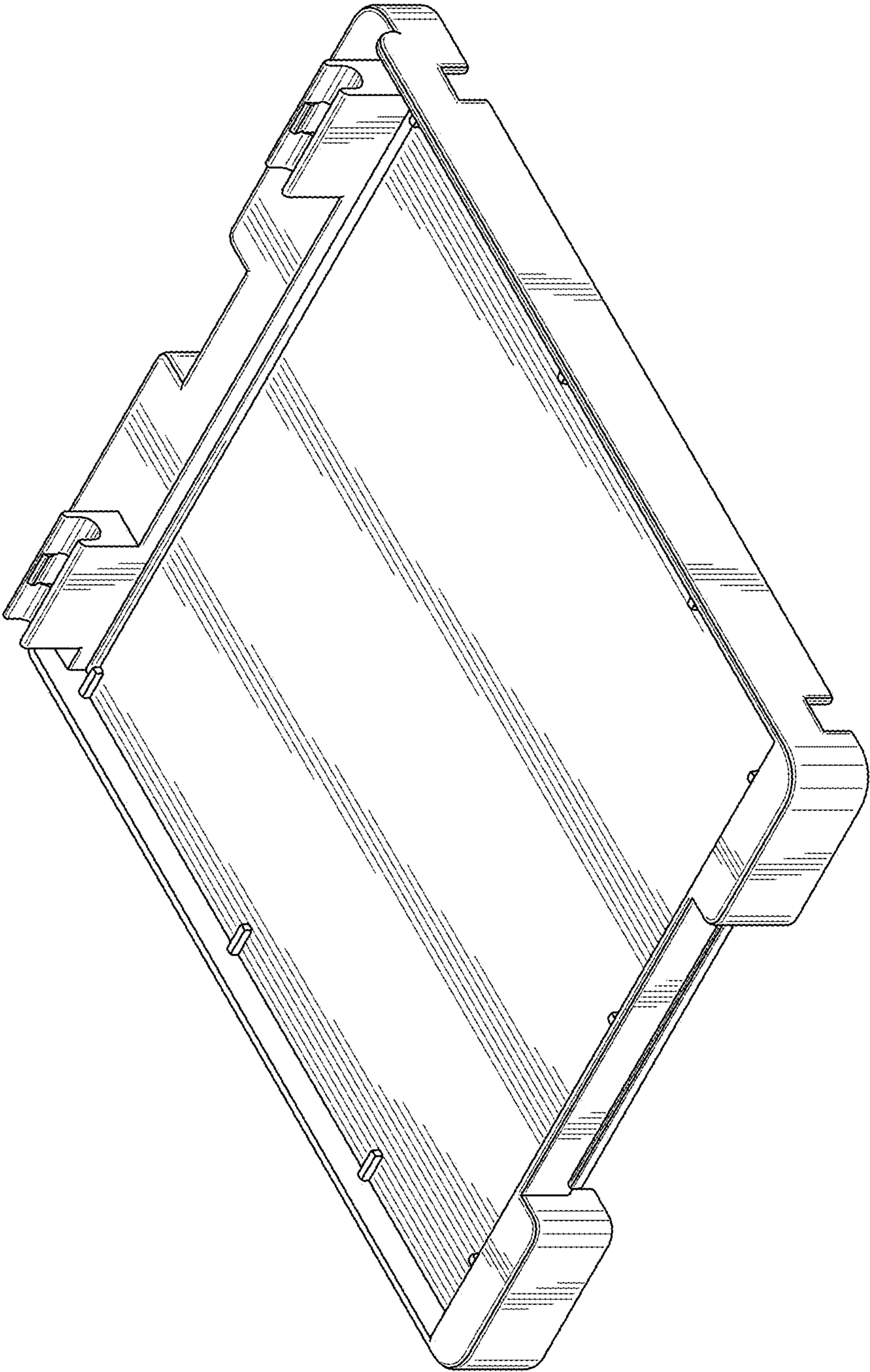
**References Cited**

U.S. PATENT DOCUMENTS

2018/0161689 A1\* 6/2018 Kislevitz ..... A63H 33/105  
2020/0094131 A1\* 3/2020 Sakai ..... A63F 9/06

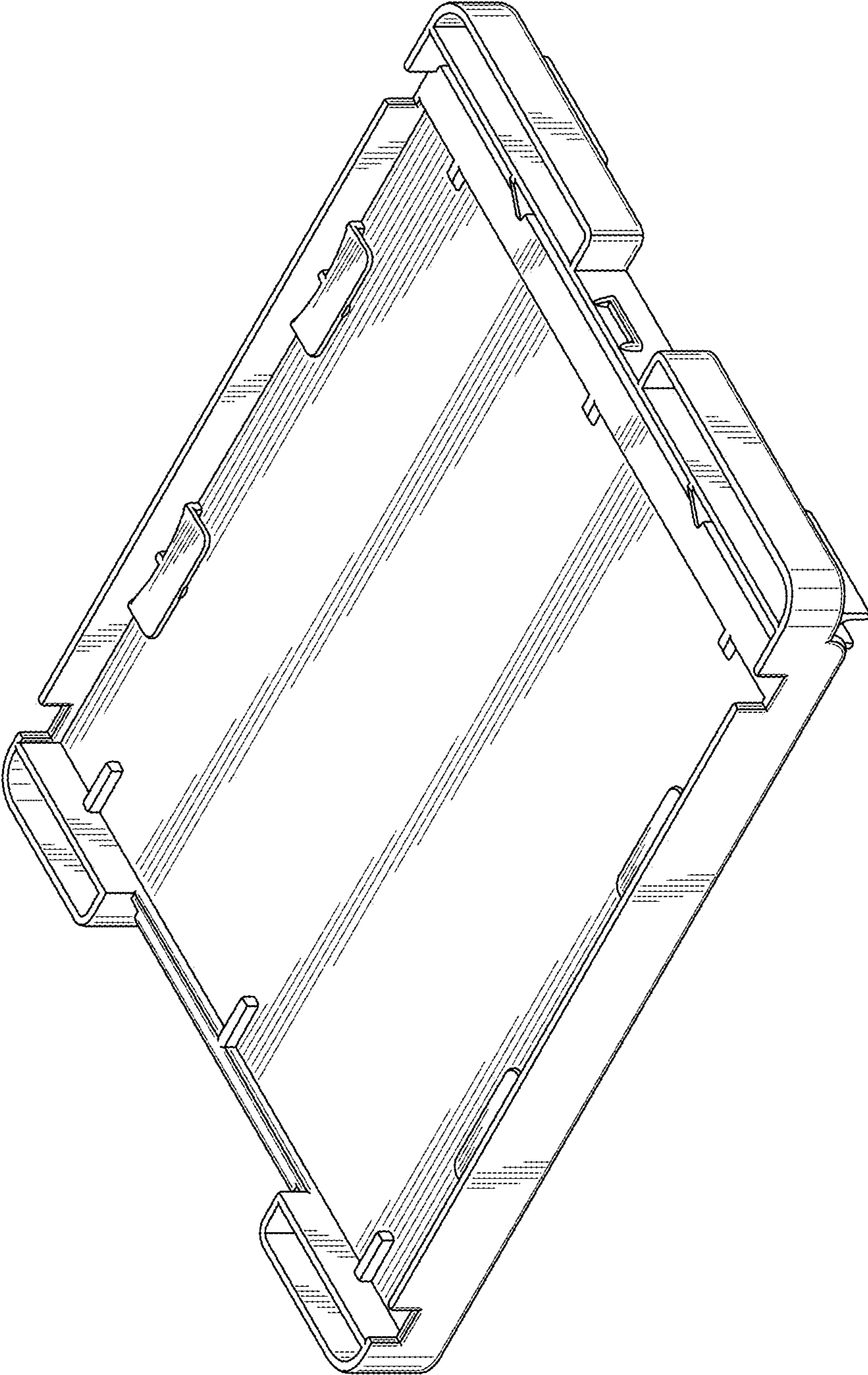
\* cited by examiner

**FIG. 1**

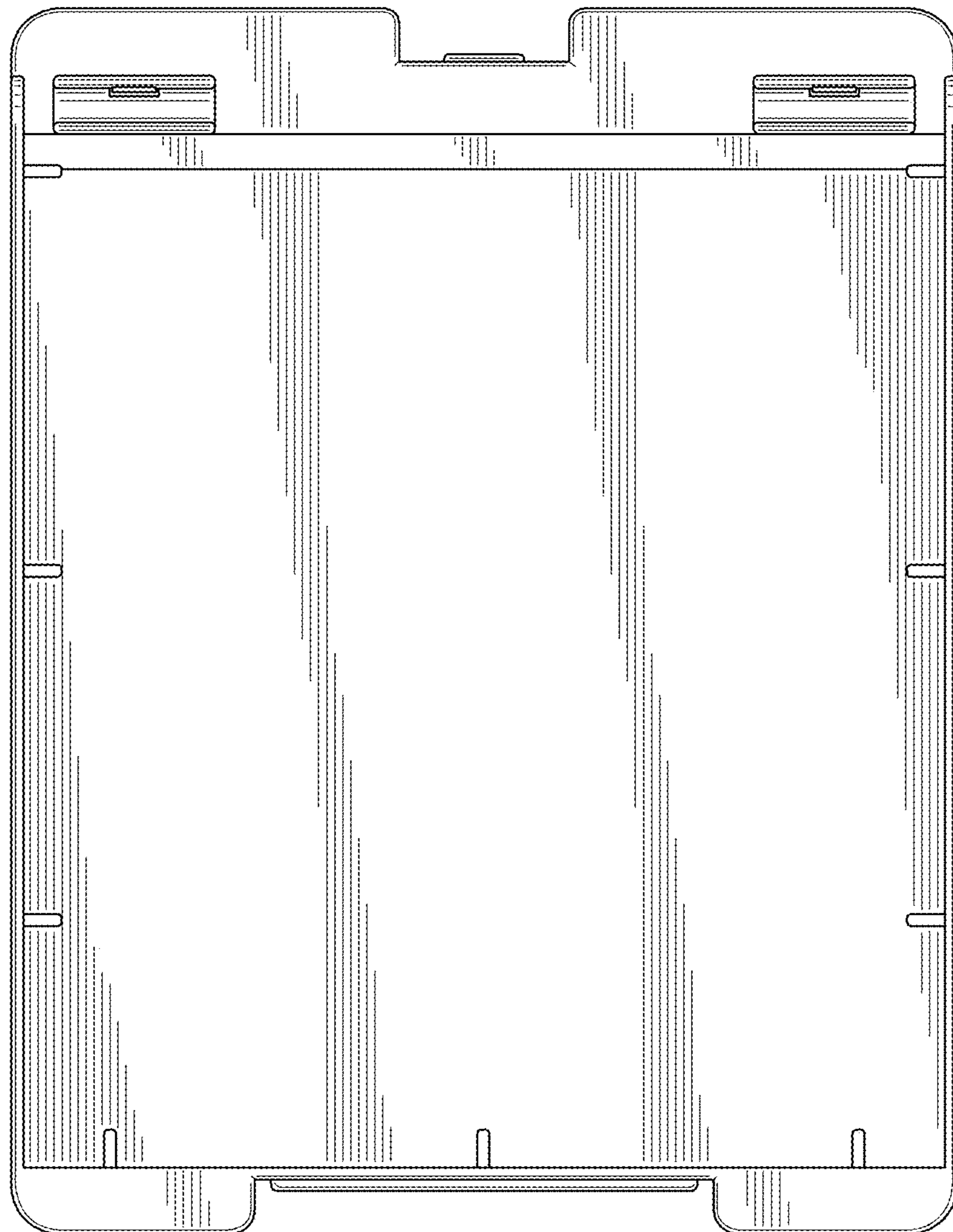




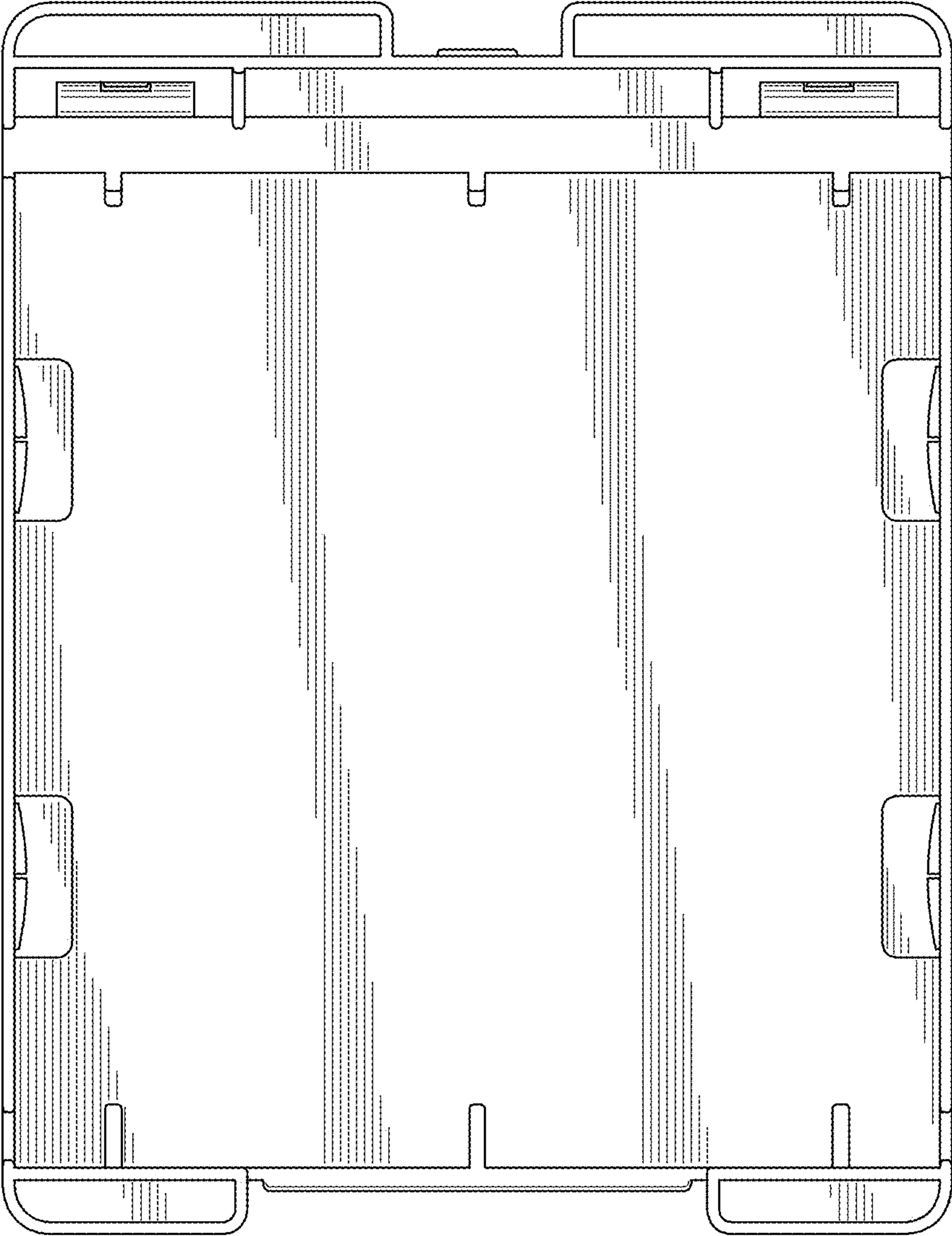
**FIG. 2**



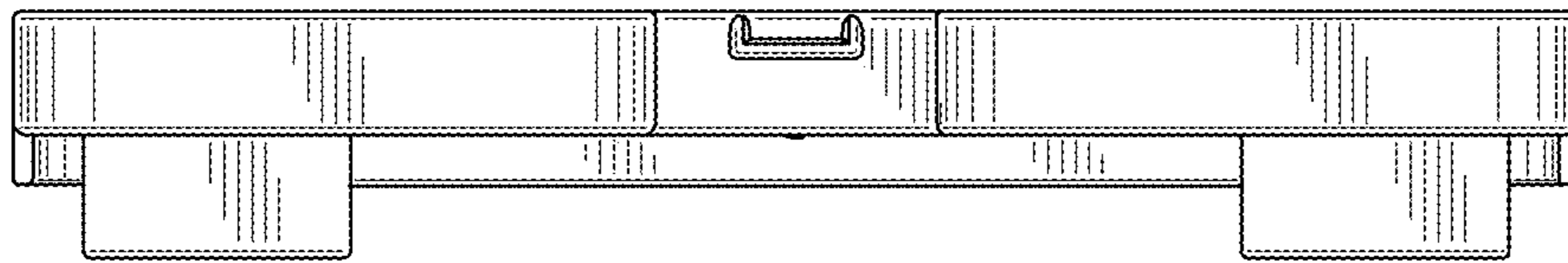
*FIG. 3*



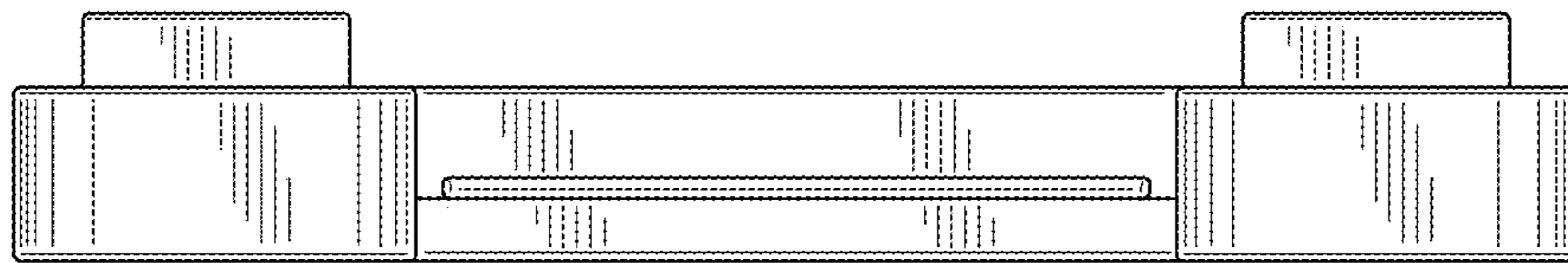
**FIG. 4**



*FIG. 5*

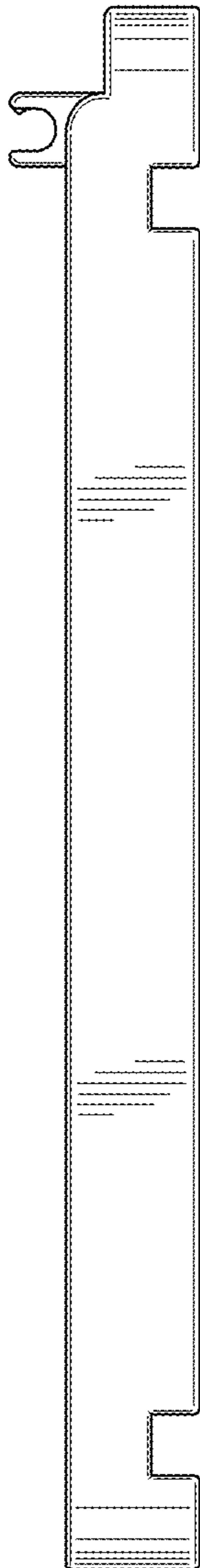


*FIG. 6*





**FIG. 7**



*FIG. 8*

