



US00D891513S

(12) **United States Design Patent** (10) **Patent No.:** **US D891,513 S**
Sakai (45) **Date of Patent:** **** Jul. 28, 2020**

(54) **BEAD TABLE** D530,371 S * 10/2006 Balzer D19/111
 7,390,237 B2 * 6/2008 Lin A63F 9/06
 273/282.1
 (71) Applicant: **EPOCH COMPANY, LTD**, Taito-ku, 7,677,564 B2 * 3/2010 Kriger A63F 3/0415
 Tokyo (JP) 273/148 R
 (72) Inventor: **Ryo Sakai**, Tokyo (JP) D656,789 S * 4/2012 Locke D7/541
 D688,084 S * 8/2013 Henry D7/354
 8,827,711 B2 * 9/2014 Davis, II G09F 5/02
 434/96
 (73) Assignee: **EPOCH COMPANY, LTD**, Tokyo (JP) 9,320,330 B2 * 4/2016 Cooke A63F 9/06
 9,956,495 B2 * 5/2018 Kamiyama A63F 9/06
 (**) Term: **15 Years** 10,328,356 B1 * 6/2019 Harper B44B 9/00
 10,478,740 B2 * 11/2019 Sakai A63H 33/001
 2002/0102905 A1 * 8/2002 Tseng A63H 33/26
 446/131

(21) Appl. No.: **29/671,858**
 (22) Filed: **Nov. 30, 2018**
 (51) **LOC (12) Cl.** **19-06**
 (52) **U.S. Cl.**
 USPC **D19/111**
 (58) **Field of Classification Search**
 USPC D19/108, 111, 113, 114; D7/552.1, 698;
 D21/469
 CPC A63H 33/00; A63H 33/06; A63H 33/08;
 A63H 33/086; A63H 33/088; A63H
 33/001; A63H 33/14; A63F 9/06; B44C
 3/00; B44C 3/12; B44C 3/123; G09F
 9/37
 See application file for complete search history.

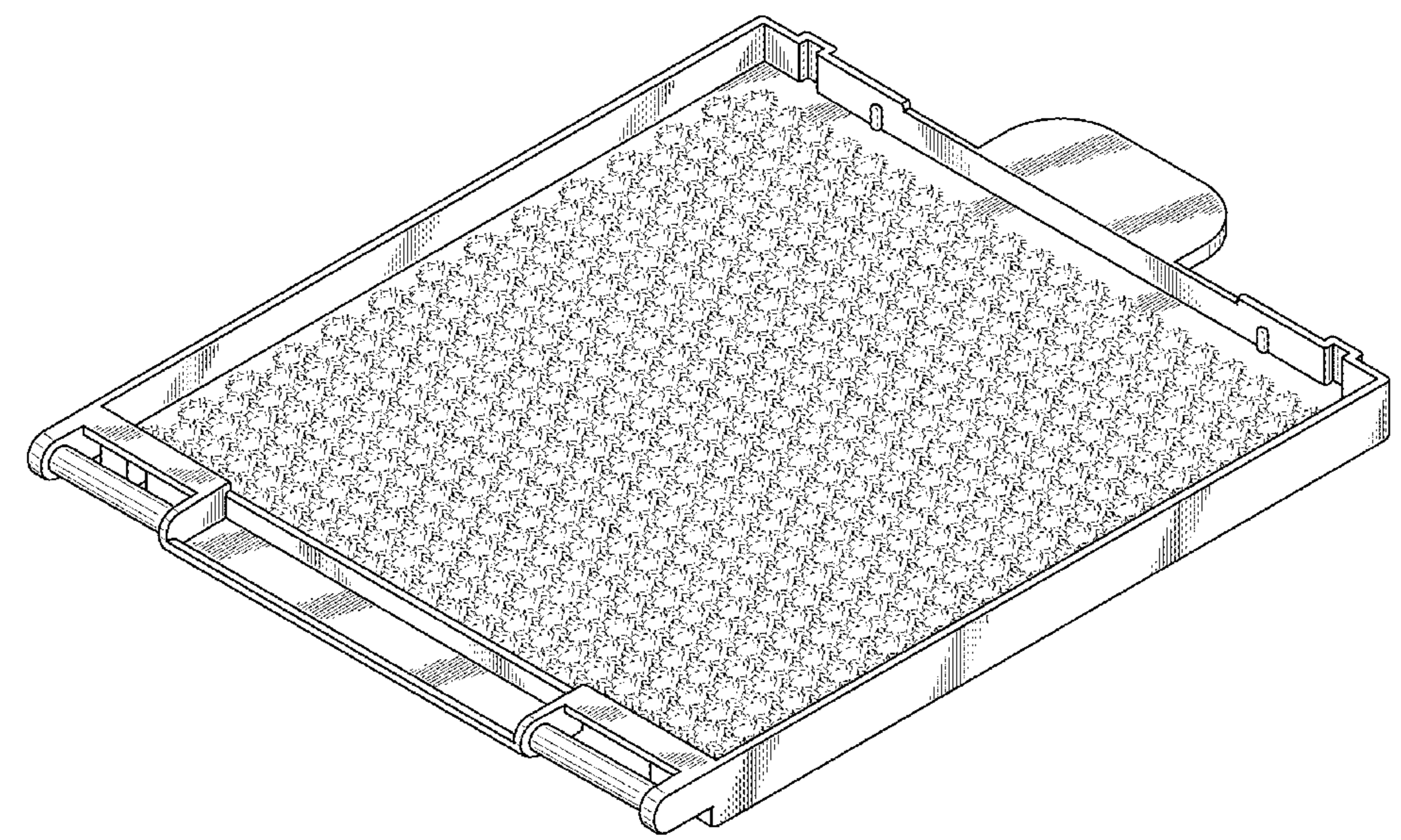
(56) **References Cited**
 U.S. PATENT DOCUMENTS
 2,923,452 A * 2/1960 Holovka, Jr. G06K 19/00
 225/93
 D222,882 S * 1/1972 Sharer D19/113
 4,246,702 A * 1/1981 Burt B43L 13/201
 33/27.11
 4,986,756 A * 1/1991 Yamaguchi A63F 9/06
 273/157 R
 D344,975 S * 3/1994 Tarozzi D19/113
 5,704,789 A * 1/1998 Yang B44C 3/123
 221/185
 D434,606 S * 12/2000 Reames D7/552.1
 D502,031 S * 2/2005 Cassidy D20/40

(Continued)
 Primary Examiner — Elizabeth A. Albert
 (74) Attorney, Agent, or Firm — Fitzgerald IP Law; John
 K Fitzgerald, Esq.

(57) **CLAIM**
 The ornamental design for a bead table, as shown and
 described.

DESCRIPTION
 FIG. 1 is a perspective view of a front, bottom and right side
 of a bead table showing my new design;
 FIG. 2 is a perspective view of the rear, top and left side
 thereof;
 FIG. 3 is a front view thereof;
 FIG. 4 is a rear view thereof;
 FIG. 5 is a top plan view thereof;
 FIG. 6 is a bottom plan view thereof;
 FIG. 7 is a left side view thereof;
 FIG. 8 is a right side view thereof;
 FIG. 9 is another front perspective view thereof; and,
 FIG. 10 is still another front perspective view thereof.
 The broken lines shown are included for the purpose of
 illustrating portions of the article which form no part of the
 claimed design.

1 Claim, 10 Drawing Sheets



(56)

References Cited

U.S. PATENT DOCUMENTS

2005/0239038 A1* 10/2005 Olsen G09B 11/04
434/409
2010/0018409 A1* 1/2010 Snyder A21B 3/15
99/324
2016/0354705 A1* 12/2016 Poulus A63H 33/086
2018/0161689 A1* 6/2018 Kislevitz A63H 33/105
2020/0094131 A1* 3/2020 Sakai A63F 9/06

* cited by examiner

FIG. 1

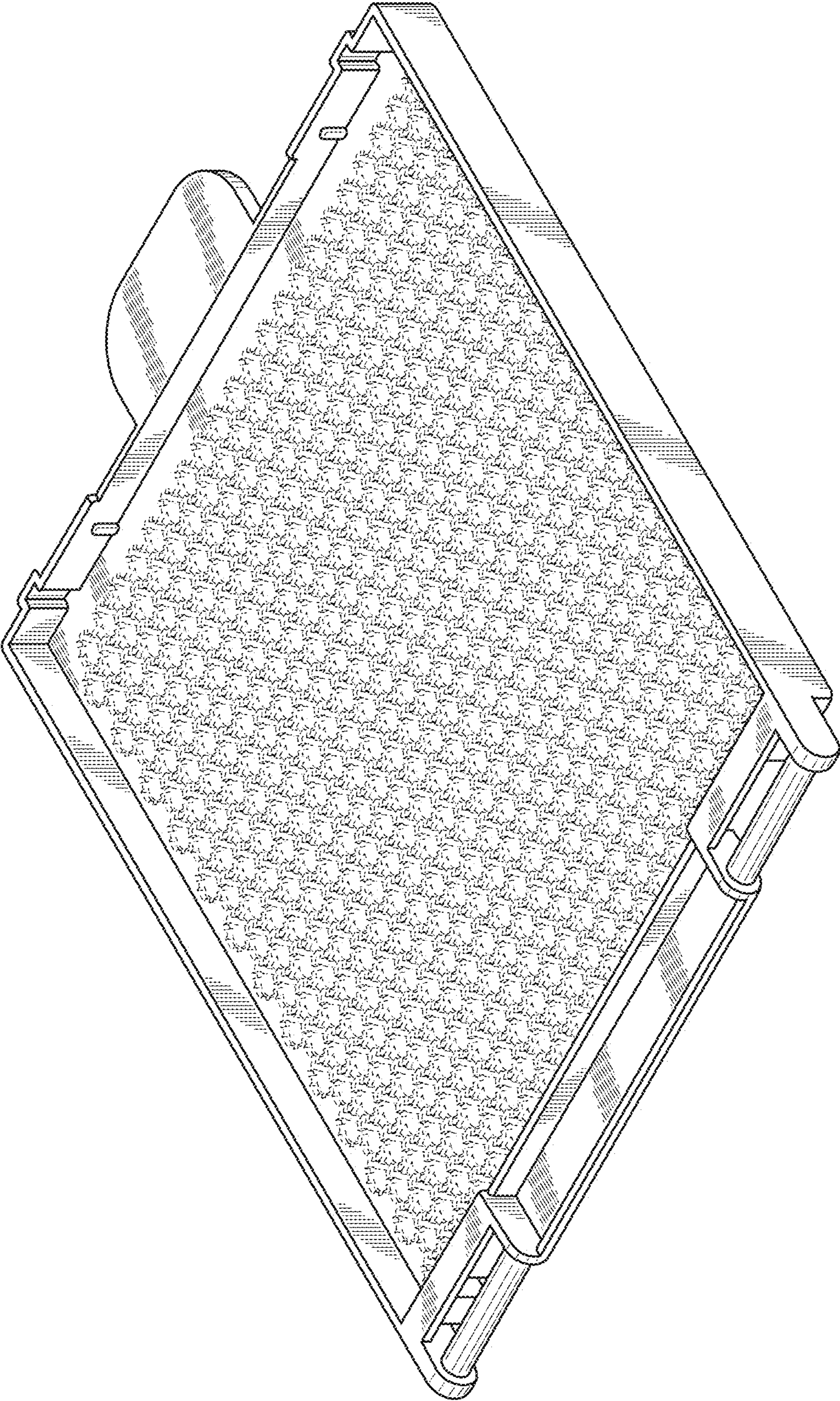


FIG. 2

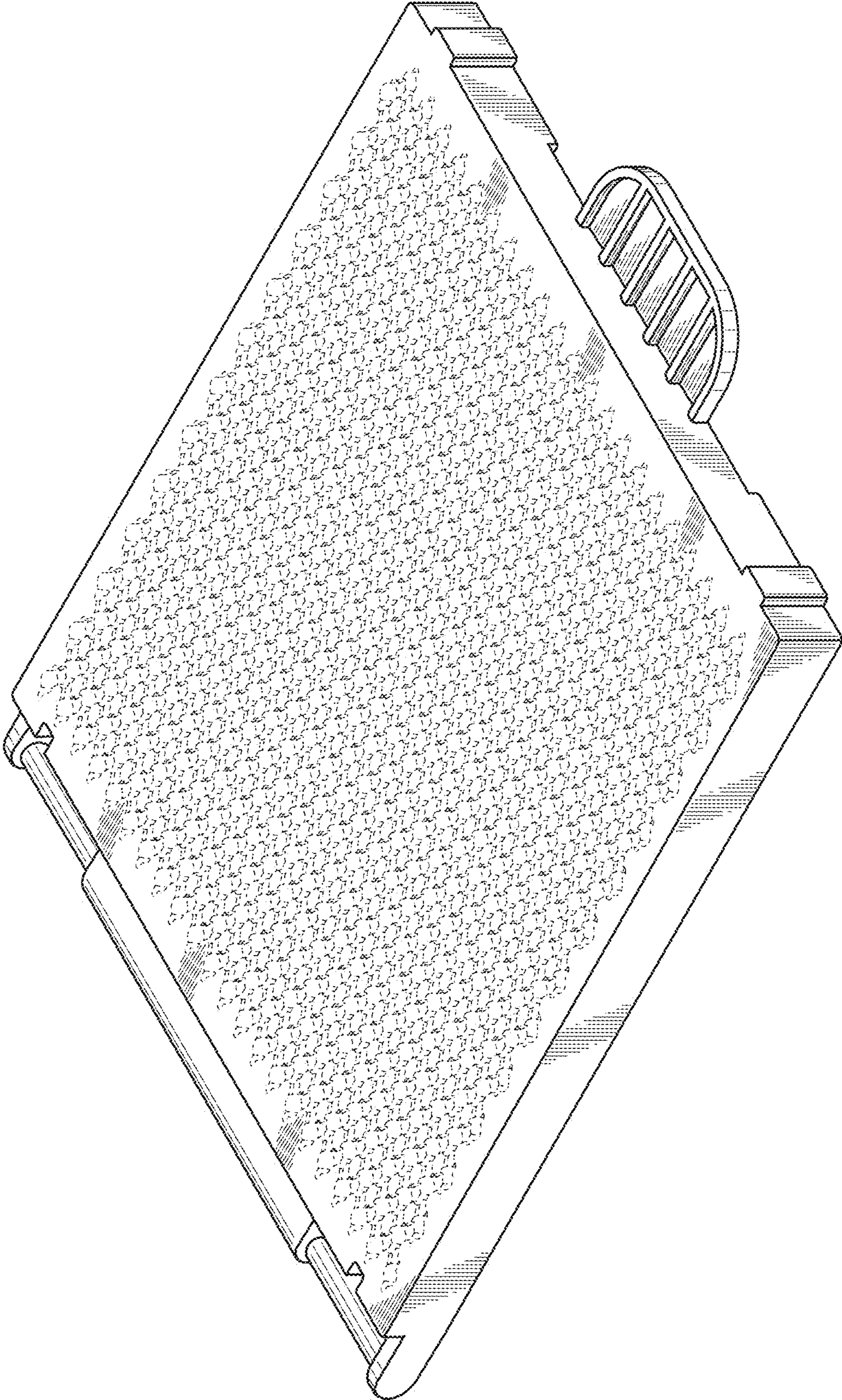


FIG. 3

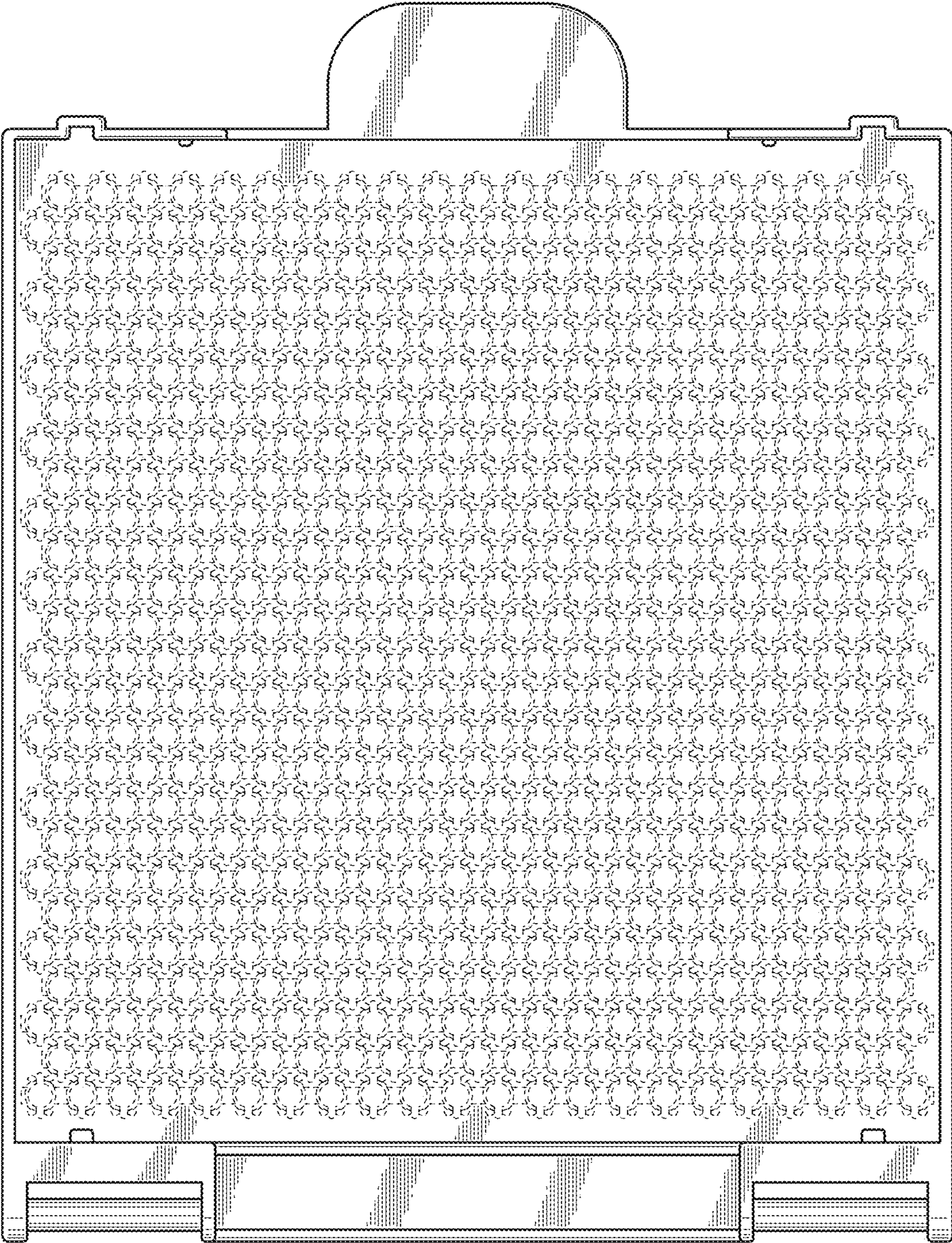


FIG. 4

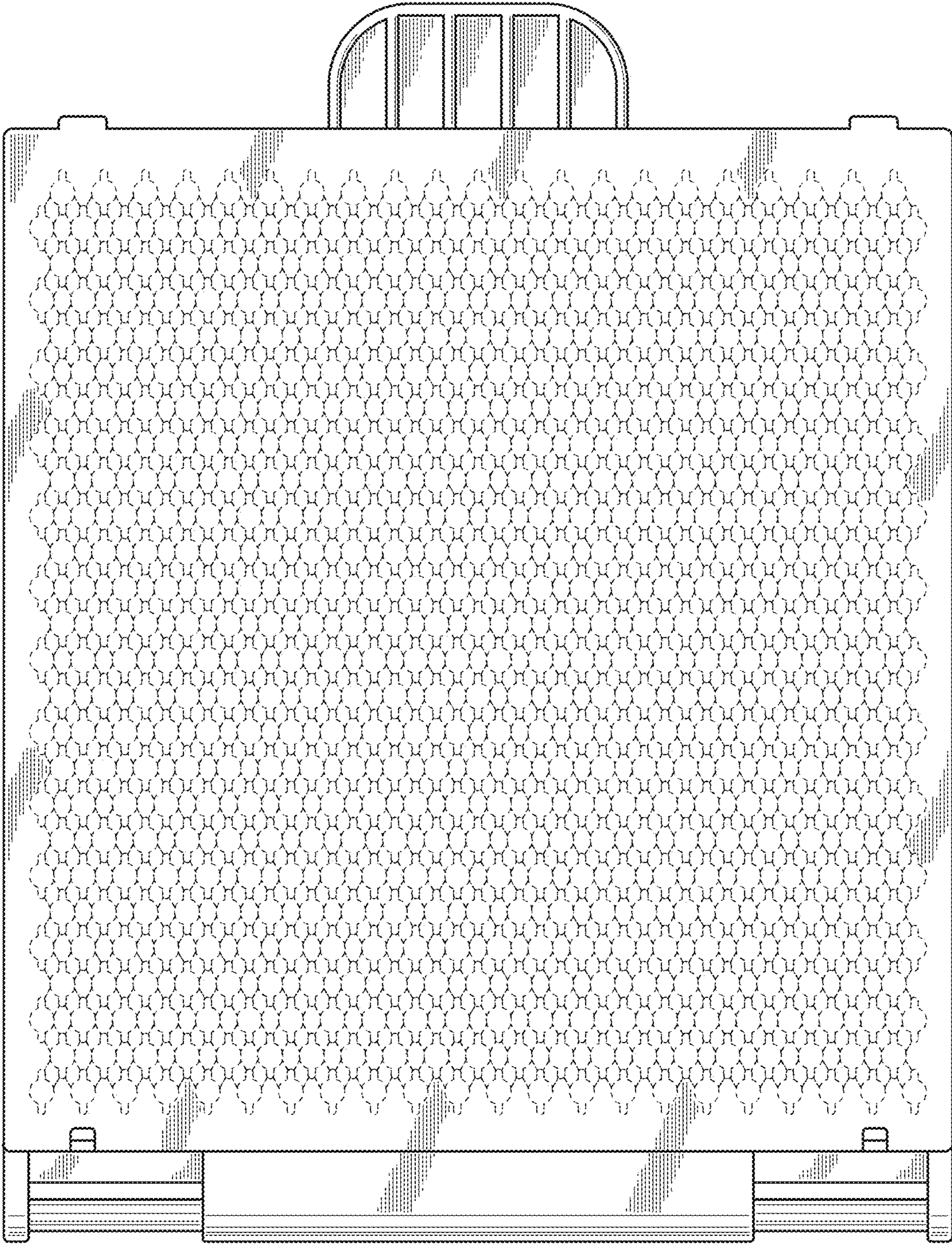


FIG. 5

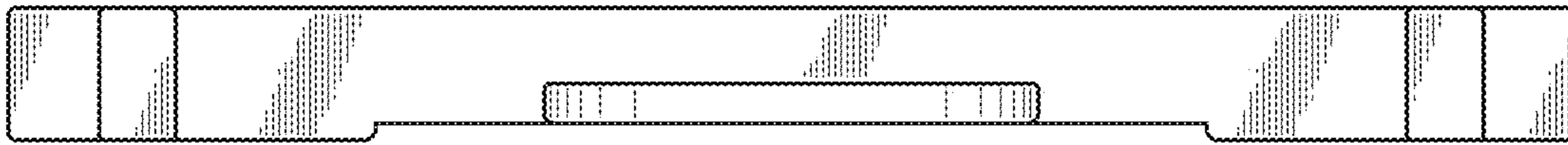


FIG. 6

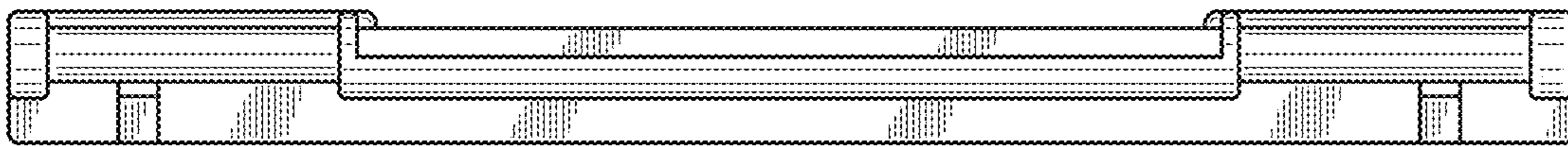


FIG. 7

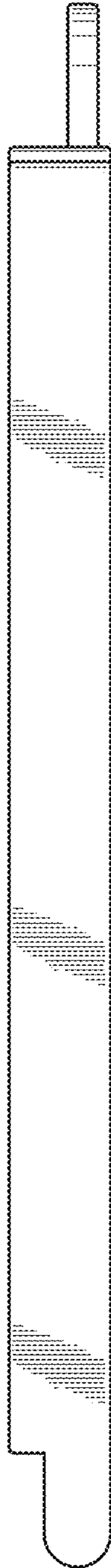


FIG. 8

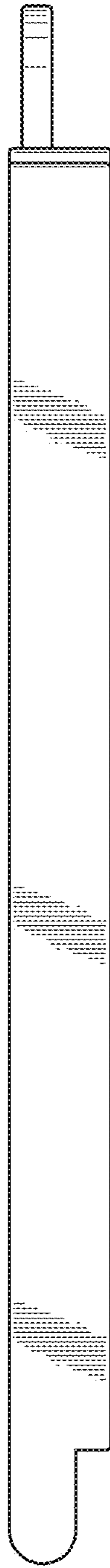


FIG. 9

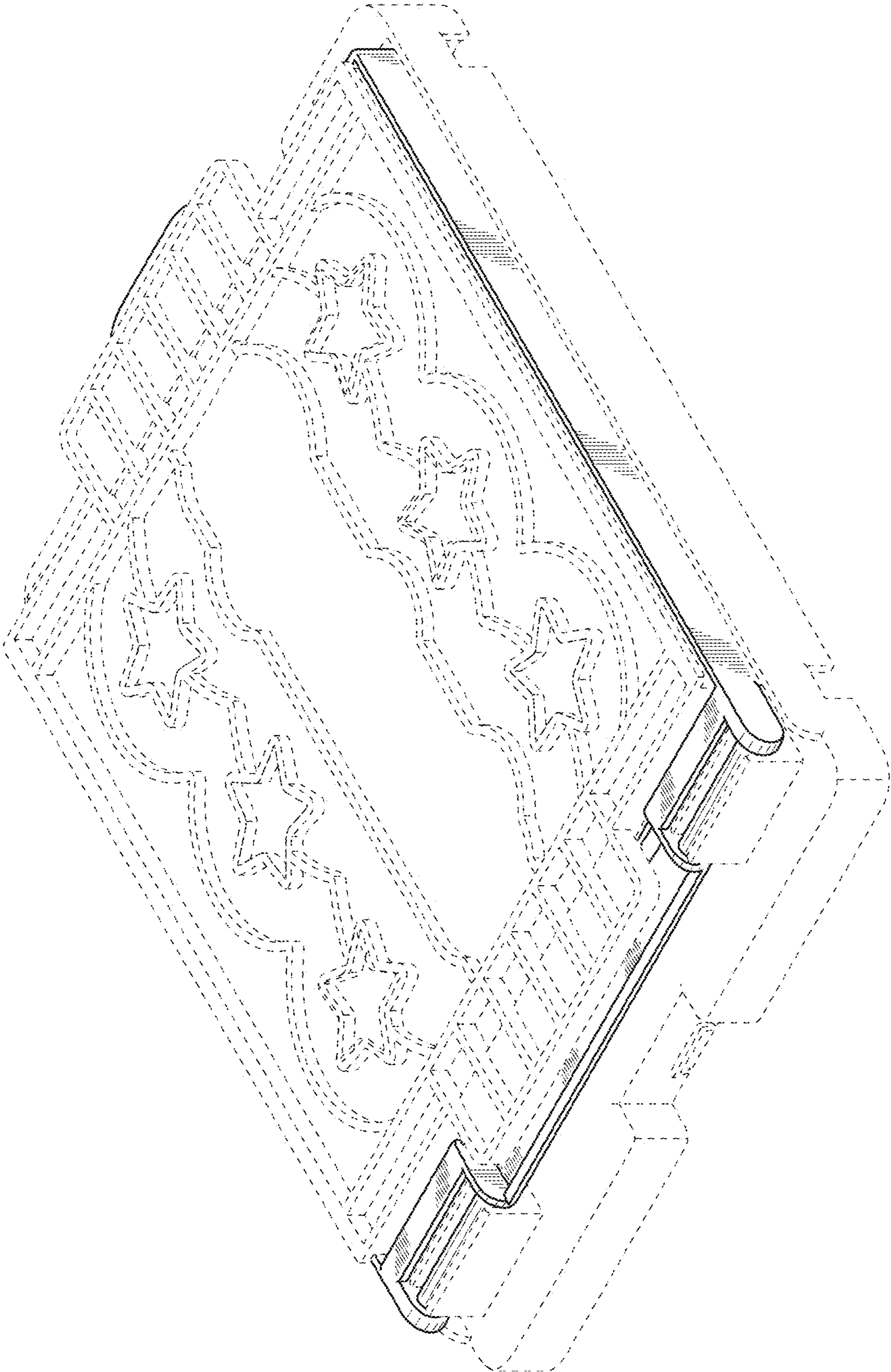


FIG. 10

