



US00D891509S

(12) **United States Design Patent** (10) **Patent No.:** **US D891,509 S**
Elias (45) **Date of Patent:** **** Jul. 28, 2020**

(54) **TRIPOD FOOT HOLDER**
(71) Applicant: **James Harrison Elias**, Kolbermoor (DE)
(72) Inventor: **James Harrison Elias**, Kolbermoor (DE)

D552,615 S * 10/2007 Kuroiwa D14/447
D555,087 S * 11/2007 Brefka D13/107
D755,880 S * 5/2016 Luo D16/214
D770,557 S * 11/2016 Johnson F16M 11/36
D812,125 S * 3/2018 Ostreko D16/242
D858,438 S * 9/2019 Levy D13/108

* cited by examiner

(**) Term: **15 Years**

Primary Examiner — Vy N Koenig

(21) Appl. No.: **29/678,286**

(74) *Attorney, Agent, or Firm* — Michael J. Nickerson; Basch & Nickerson LLP

(22) Filed: **Jan. 28, 2019**

(51) **LOC (12) Cl.** **16-05**

(57) **CLAIM**

(52) **U.S. Cl.**
USPC **D16/245**

The ornamental design for a tripod foot holder, as shown and described.

(58) **Field of Classification Search**
USPC D16/219, 237–250; D8/354, 355, 363, D8/373, 382–383, 394–396; D14/224, D14/229, 238, 251, 253, 356, 447, 451, D14/457
CPC A45F 5/00; A45F 5/10; A45F 2200/0508–0533; F16M 11/06–10; F16M 11/14; G02B 7/00–002; G03B 17/56; G03B 17/561–566; H04N 5/2253–2254
See application file for complete search history.

DESCRIPTION

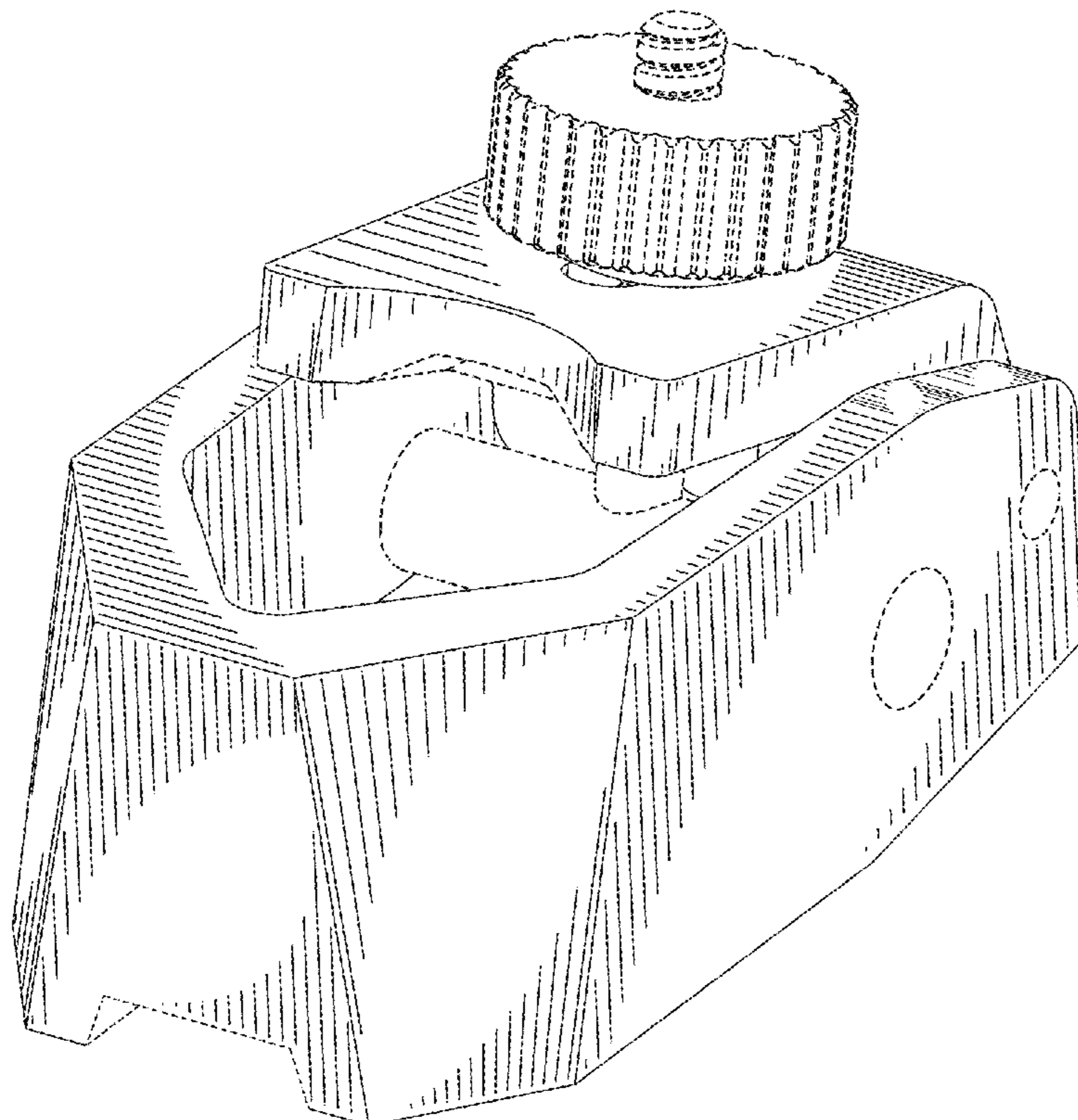
FIG. 1 is a perspective view of the top, front and right sides of a tripod foot holder showing my new design in a typical use configuration;
FIG. 2 is a left view of the tripod foot holder;
FIG. 3 is a rear view of the tripod foot holder;
FIG. 4 is a right side view of the tripod foot holder;
FIG. 5 is front side view of the tripod foot holder;
FIG. 6 is a top view of the tripod foot holder; and,
FIG. 7 is a bottom view of the tripod foot holder.
The broken lines in the above-described figures depict portions of the tripod foot holder that form no part of the claimed design.

(56) **References Cited**

U.S. PATENT DOCUMENTS

D387,791 S * 12/1997 Wen D16/242
D428,597 S * 7/2000 Murata D13/108
D471,578 S * 3/2003 Okuley D13/108

1 Claim, 4 Drawing Sheets



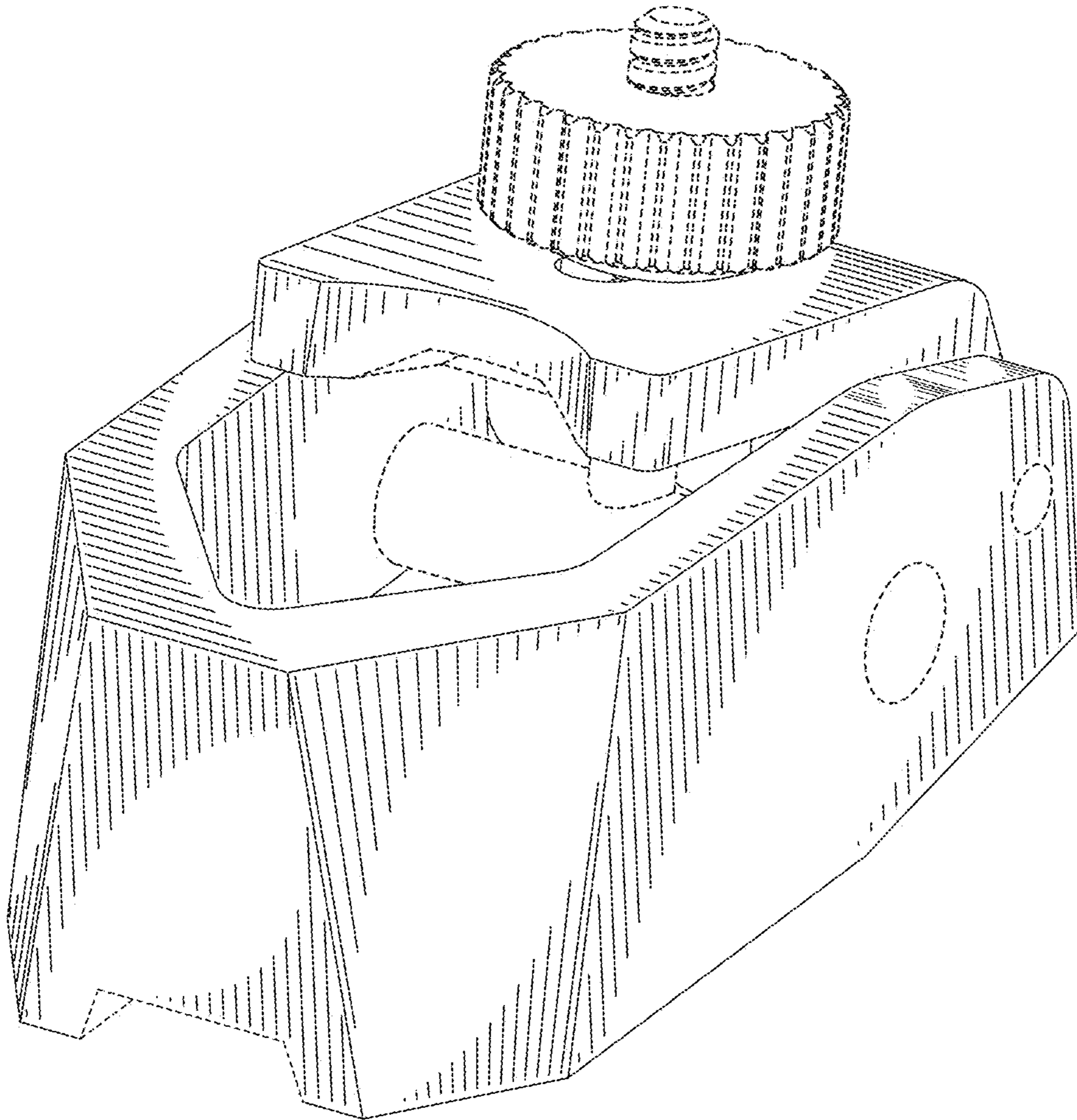


FIG. 1

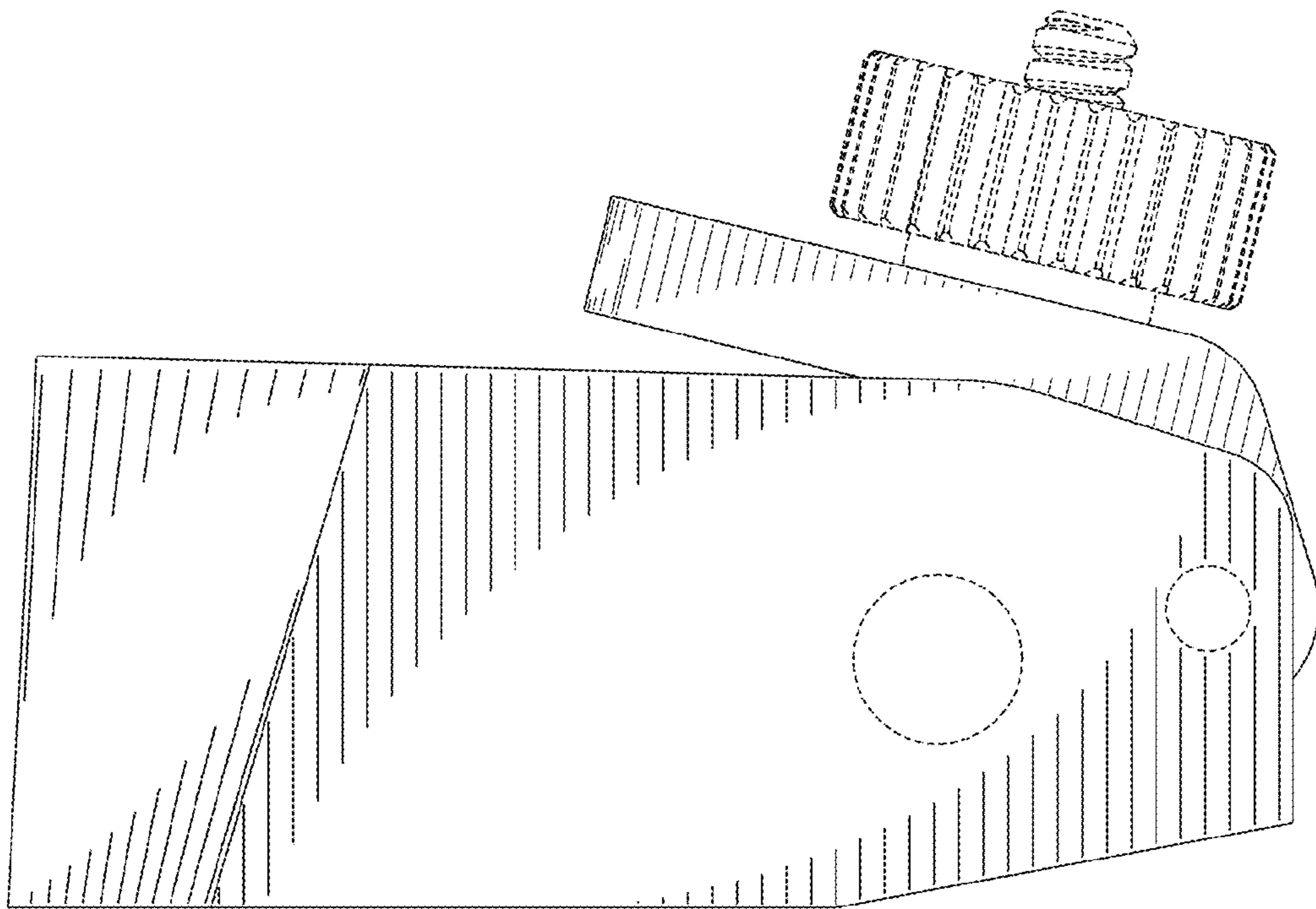


FIG. 2

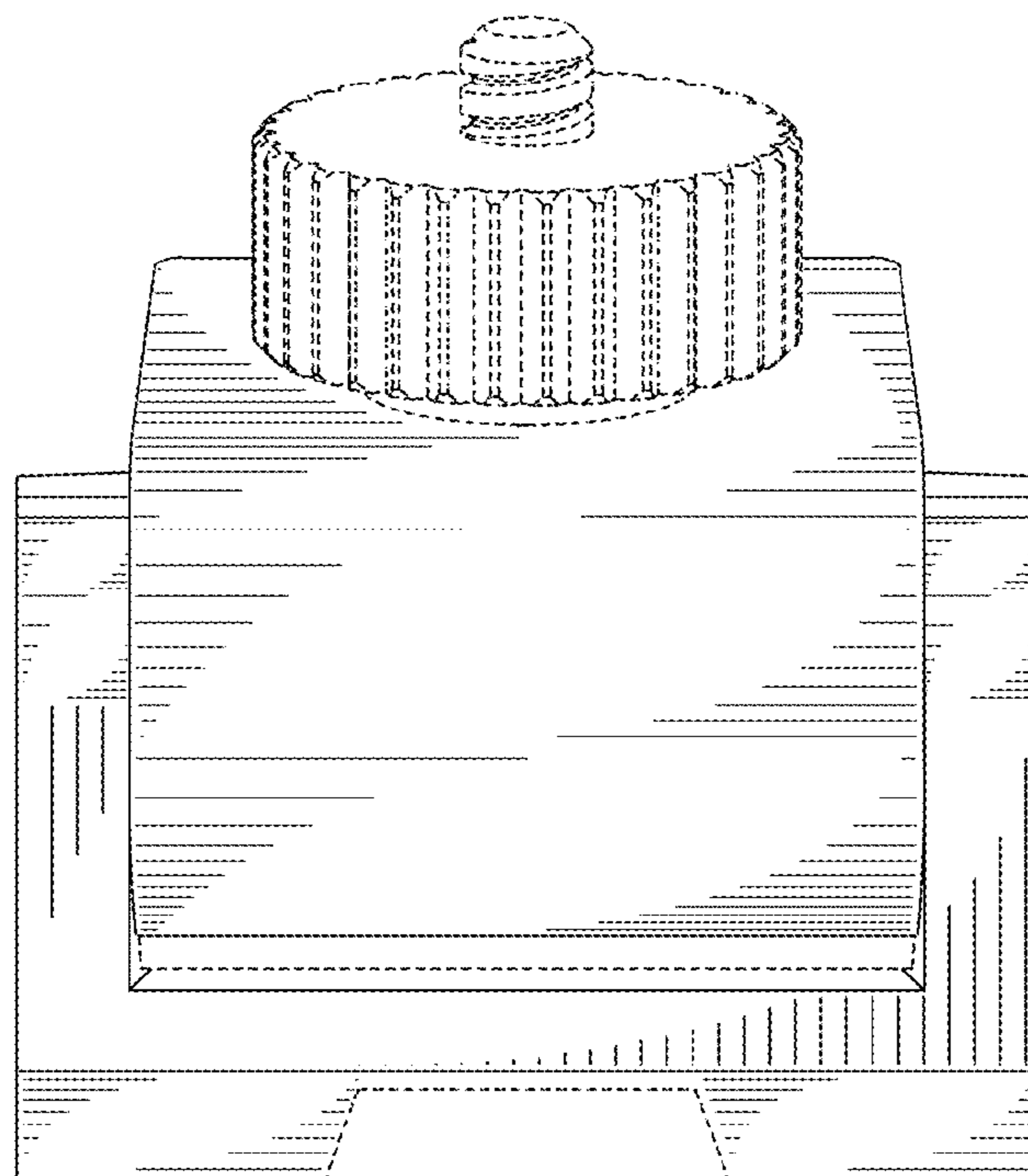


FIG. 3

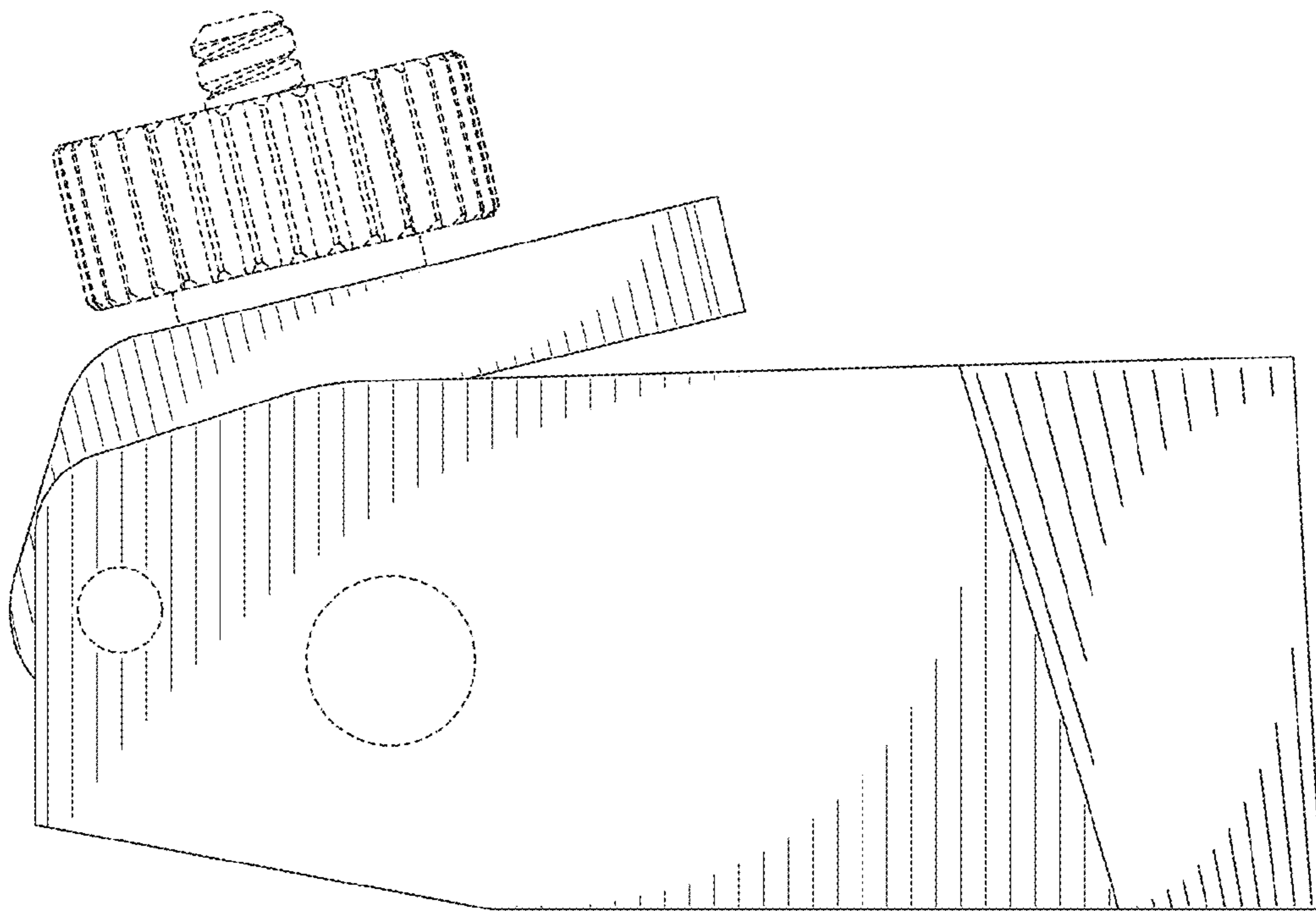


FIG. 4

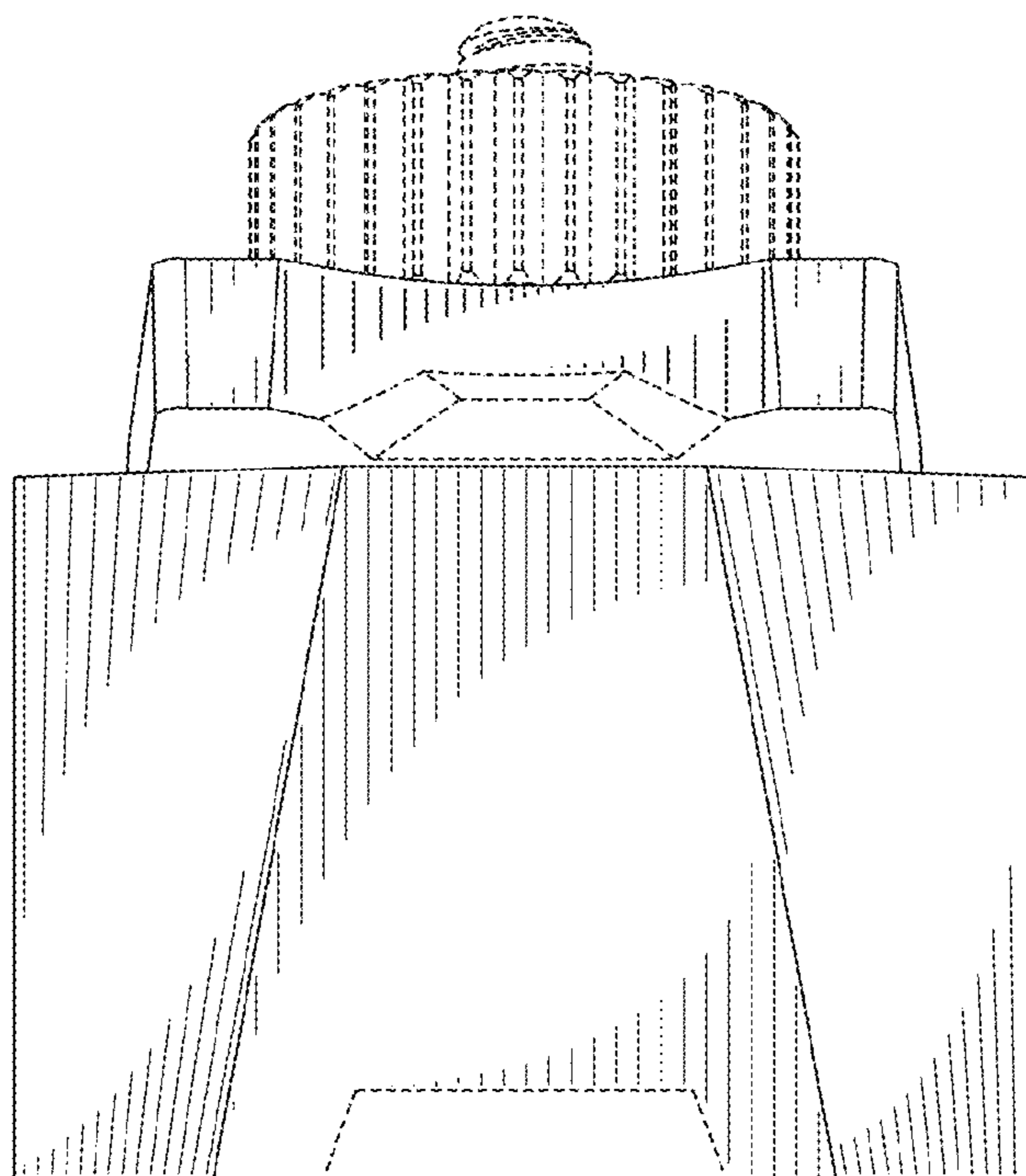


FIG. 5

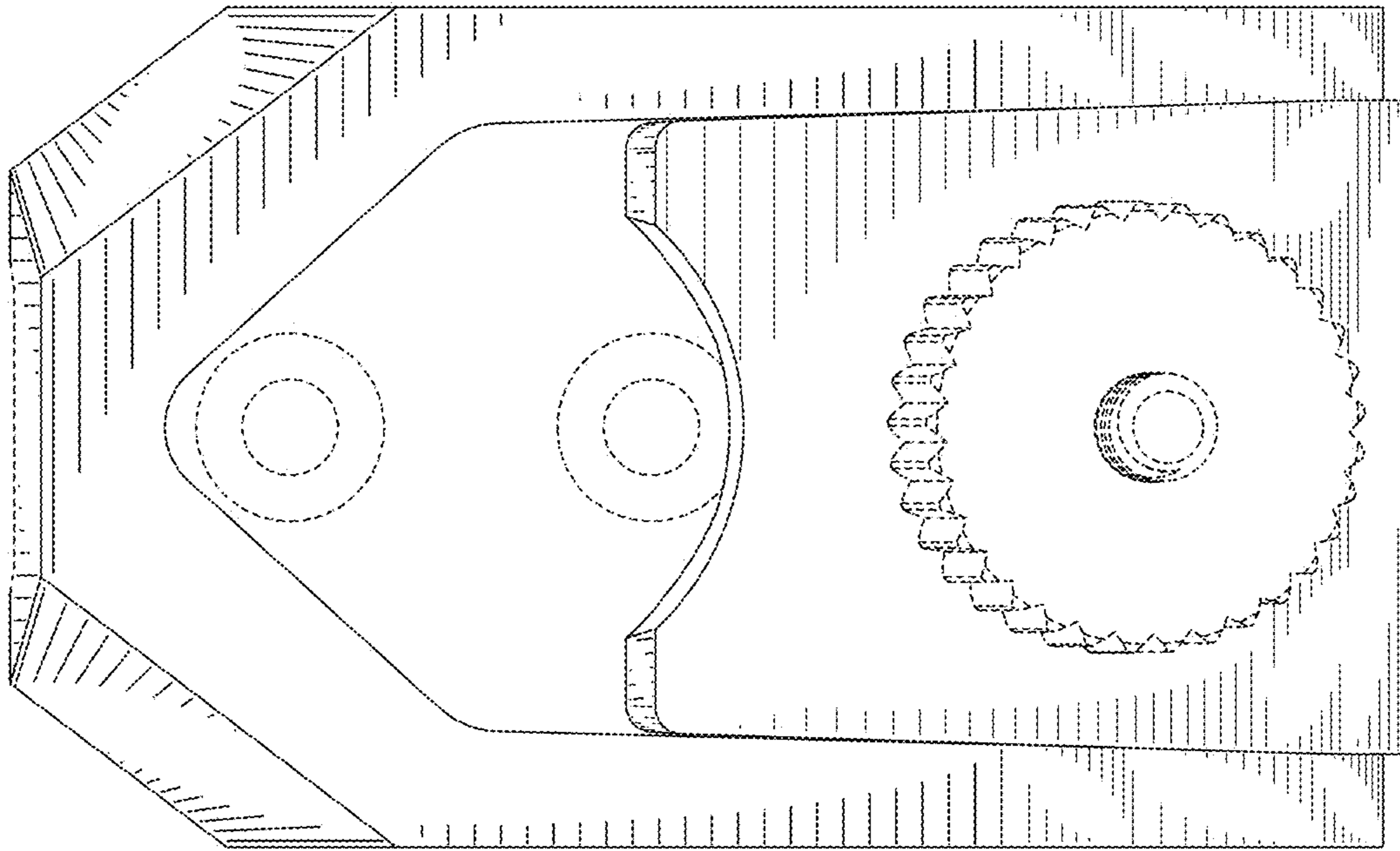


FIG. 6

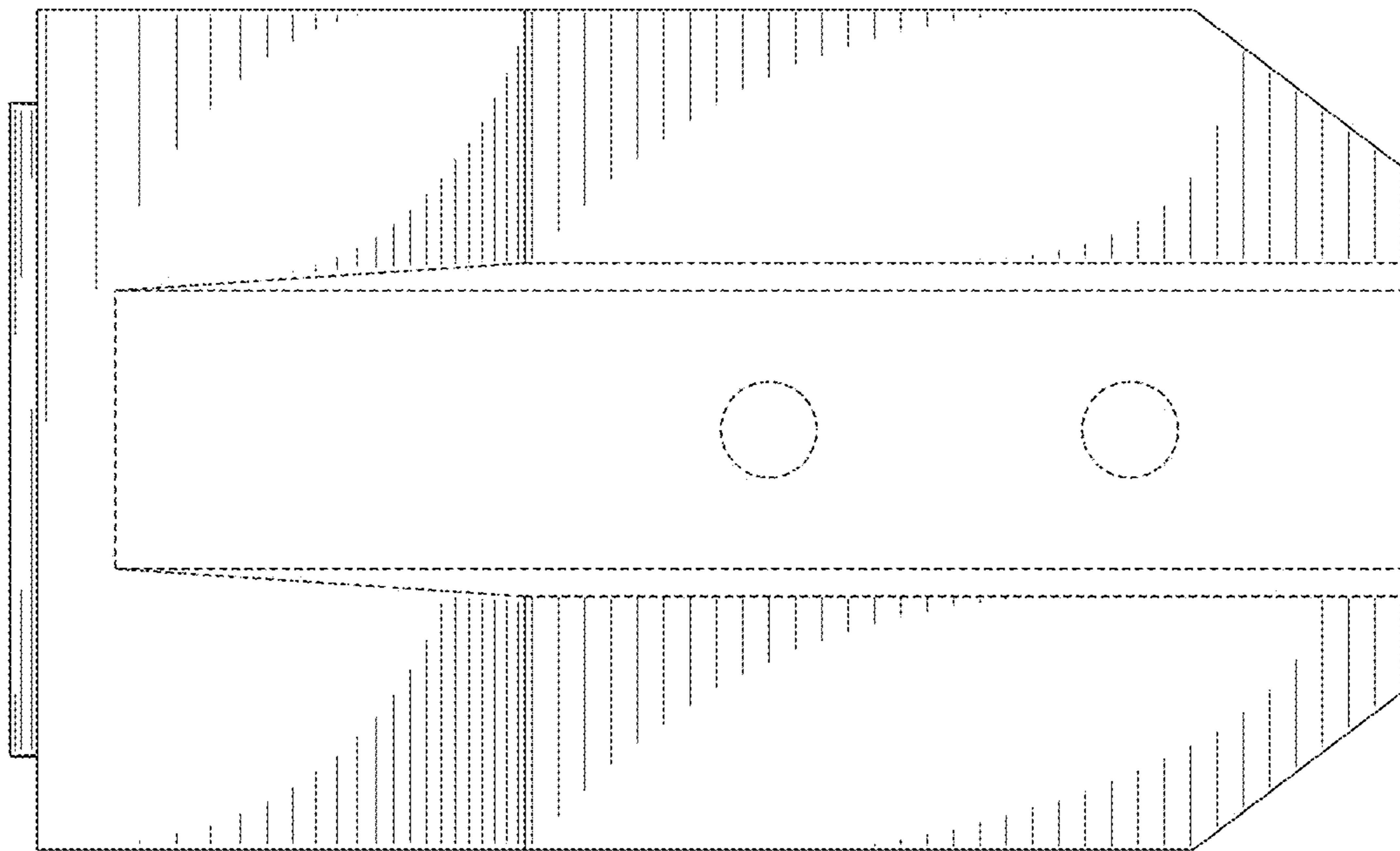


FIG. 7