



US00D891508S

(12) **United States Design Patent**
Hathway et al.

(10) **Patent No.:** **US D891,508 S**

(45) **Date of Patent:** **** Jul. 28, 2020**

(54) **CAMERA COVER**

(71) Applicant: **Arlo Technologies, Inc.**, Carlsbad, CA (US)

(72) Inventors: **James Hathway**, Delta (CA); **David Tong**, San Diego, CA (US)

(73) Assignee: **Arlo Technologies, Inc.**, Carlsbad, CA (US)

(**) Term: **15 Years**

(21) Appl. No.: **29/678,868**

(22) Filed: **Jan. 31, 2019**

(51) **LOC (12) Cl.** **16-05**

(52) **U.S. Cl.**
USPC **D16/237**

(58) **Field of Classification Search**
USPC D16/219, 237–250; D8/354, 355, 363, D8/373, 382–383, 394–396; D14/224, D14/229, 238, 251, 253, 356, 447, 451, D14/457
CPC A45F 5/00; A45F 5/10; A45F 2200/0508–0533; F16M 11/06–10; F16M 11/14; G02B 7/00–002; G03B 17/56; G03B 17/561–566; H04N 5/2253–2254
See application file for complete search history.

(56) **References Cited**

U.S. PATENT DOCUMENTS

D413,435 S *	9/1999	Chapman	224/908
D757,836 S *	5/2016	Miyazaki	D16/219
D785,067 S *	4/2017	Ramones	D16/203
9,967,439 B2 *	5/2018	Ramones	H04N 5/2252
D841,720 S *	2/2019	Ramones	D16/237
D845,310 S *	4/2019	Wengreen	D14/447

D845,373 S *	4/2019	Mittleman	D16/203
D863,398 S *	10/2019	Huang	D16/203
D865,851 S *	11/2019	Ramones	D16/237
D869,540 S *	12/2019	Huang	D16/203
D869,541 S *	12/2019	Wang	D16/203
D874,531 S *	2/2020	Chen	D16/202
D875,310 S *	2/2020	Thompson	D28/18
2017/0131621 A1 *	5/2017	Tang	B64D 47/08

OTHER PUBLICATIONS

Arlo Ultra HD Security Camera. [online] Published on Feb. 14, 2019. Retrieved Feb. 12, 2020 from URL: <https://www.arlo.com/en-us/products/arlo-ultra/default.aspx>.*

Copending U.S. Appl. No. 29/608,627, filed Jun. 23, 2017.

Copending U.S. Appl. No. 29/673,606, filed Dec. 17, 2018.

Copending U.S. Appl. No. 29/673,659, filed Dec. 17, 2018.

* cited by examiner

Primary Examiner — Vy N Koenig

(74) *Attorney, Agent, or Firm* — Boyle Fredrickson S.C.

(57) **CLAIM**

The ornamental design for a camera cover, as shown and described.

DESCRIPTION

FIG. 1 is a top, front, right side perspective view of a camera cover showing our new design;

FIG. 2 is a front elevation view thereof;

FIG. 3 is a rear elevation view thereof;

FIG. 4 is a right-side elevation view thereof;

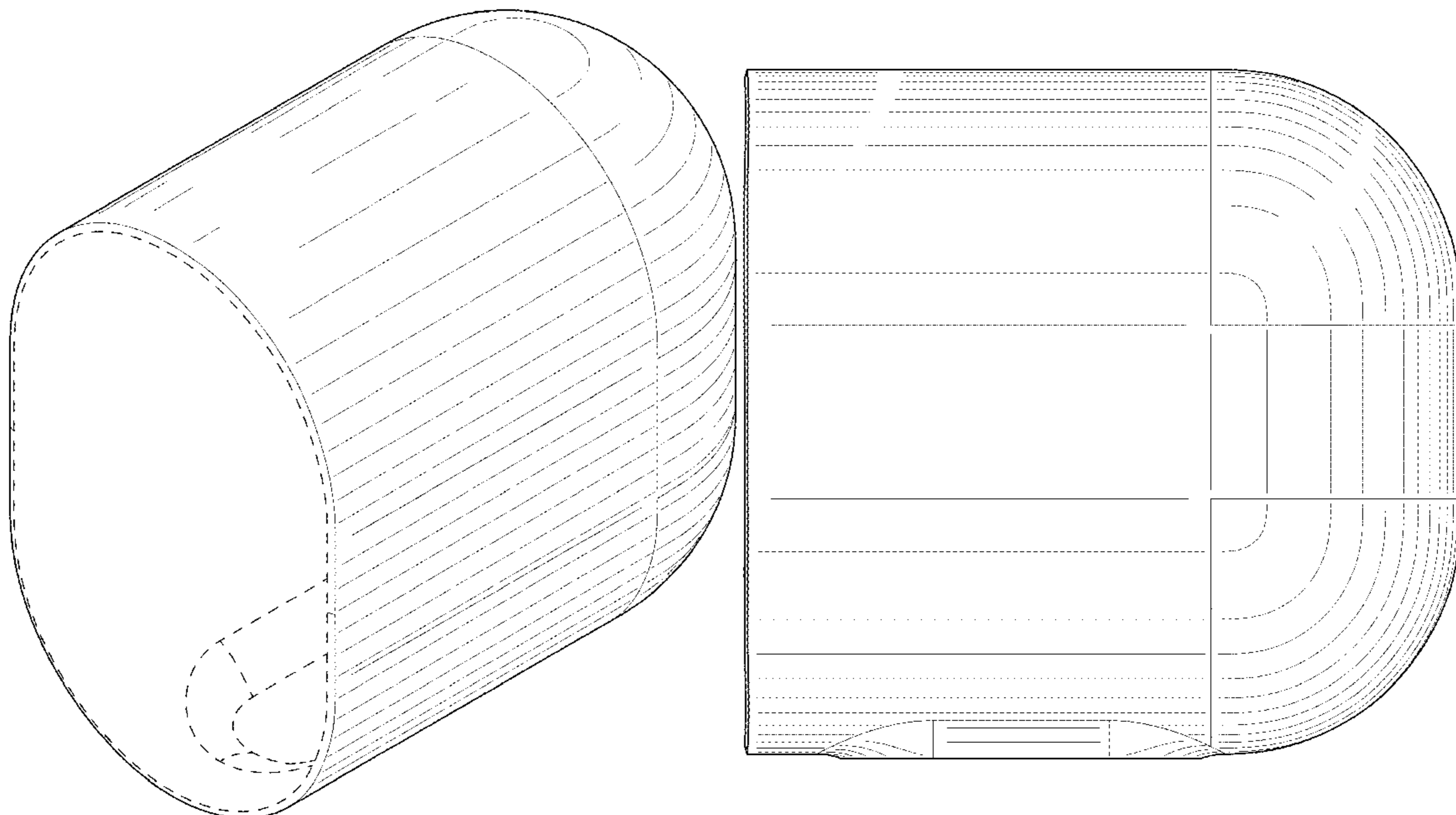
FIG. 5 is a left-side elevation view thereof;

FIG. 6 is a top plan view thereof; and,

FIG. 7 is a bottom plan view thereof.

The dashed broken lines in FIGS. 1-7 depict portions of the camera cover that form no part of the claimed design.

1 Claim, 7 Drawing Sheets



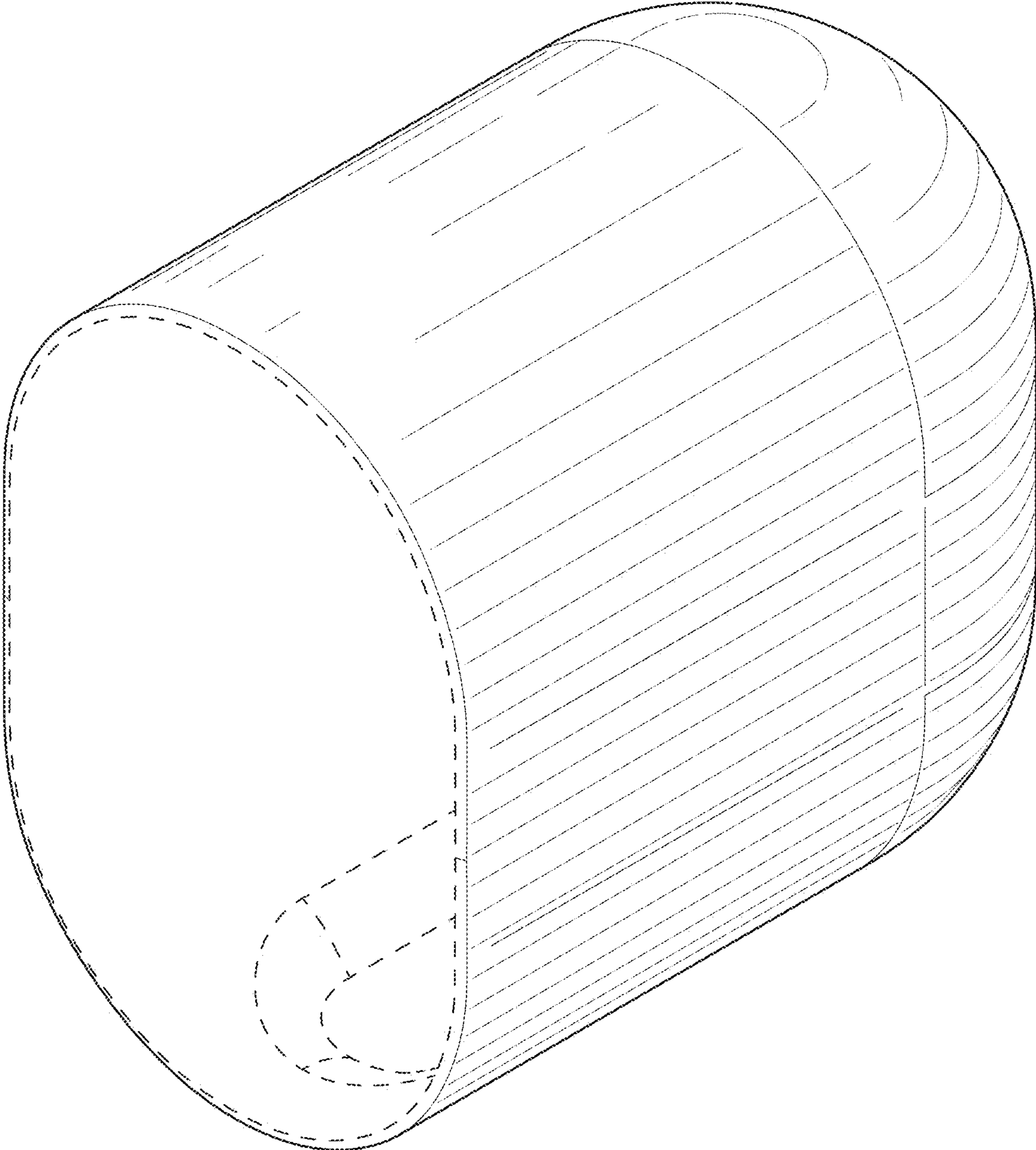


FIG. 1

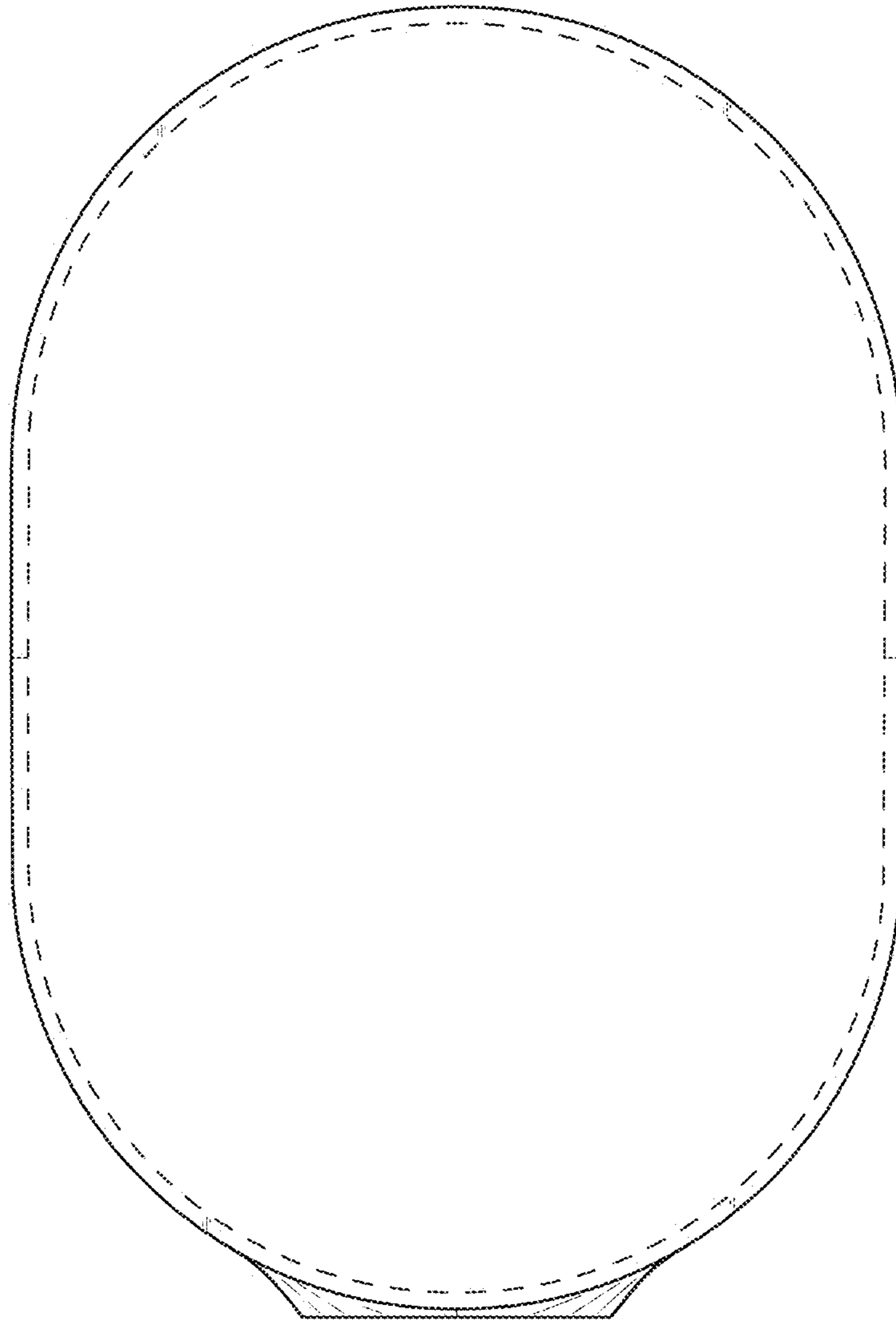


FIG. 2

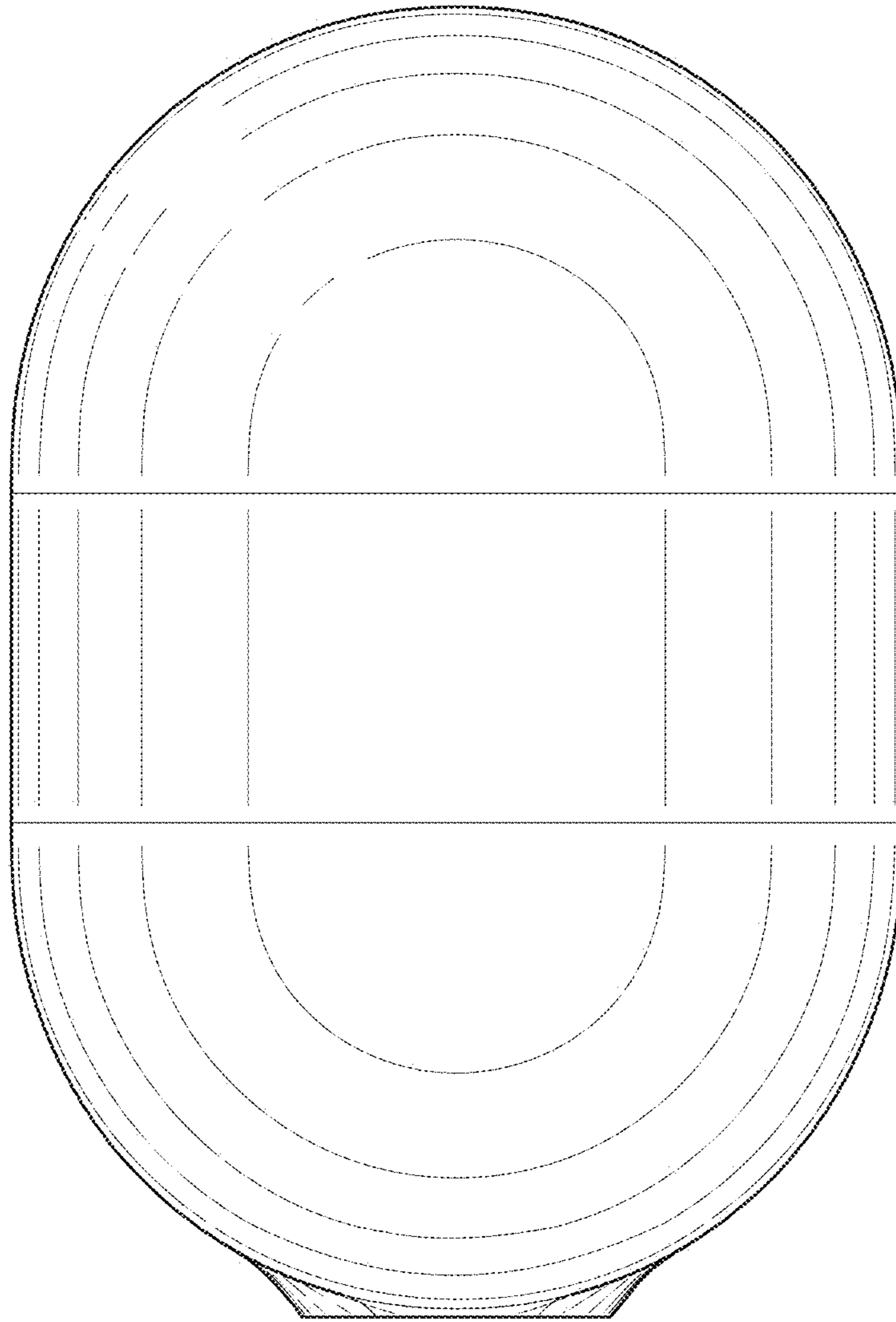


FIG. 3

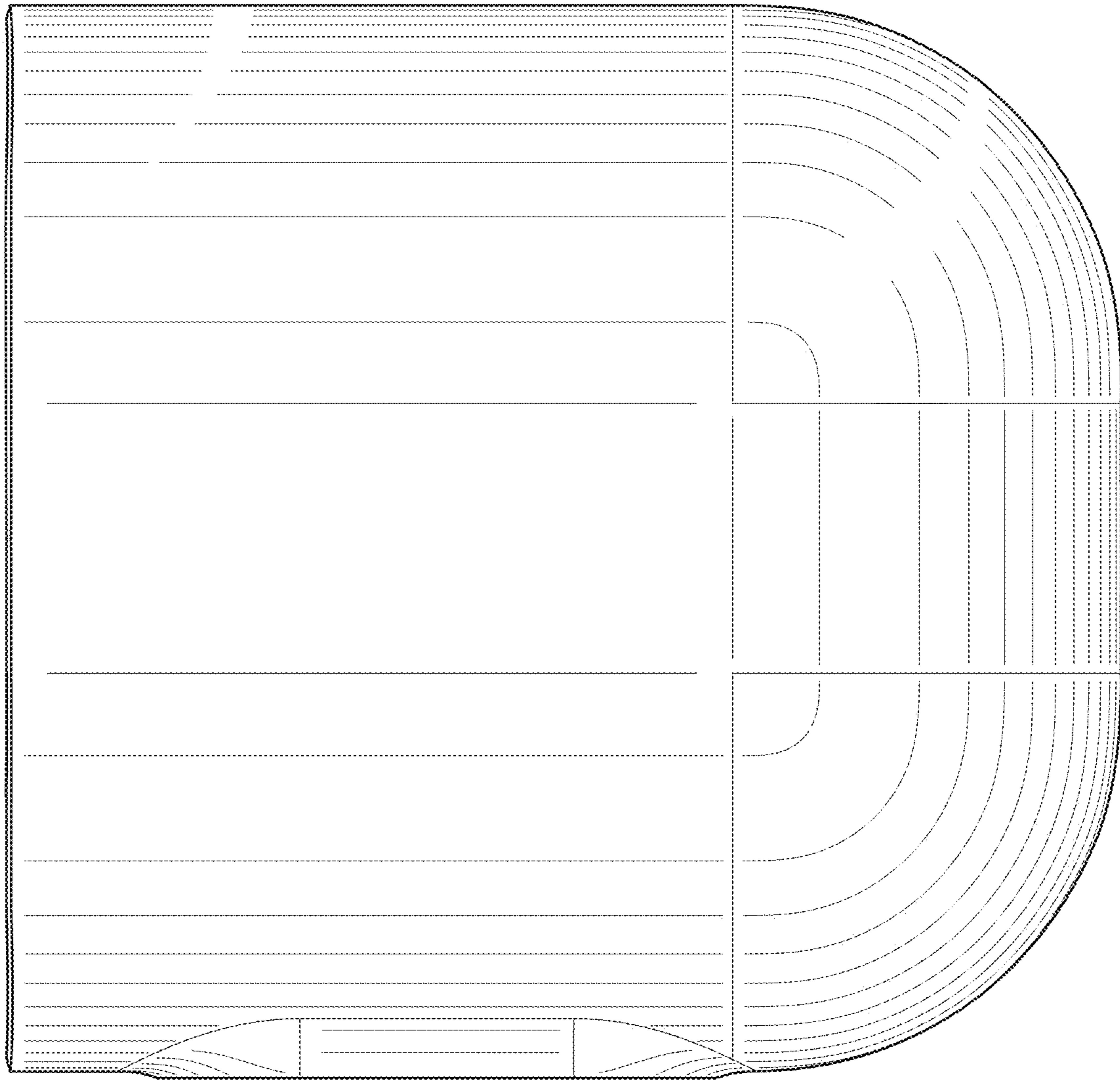


FIG. 4

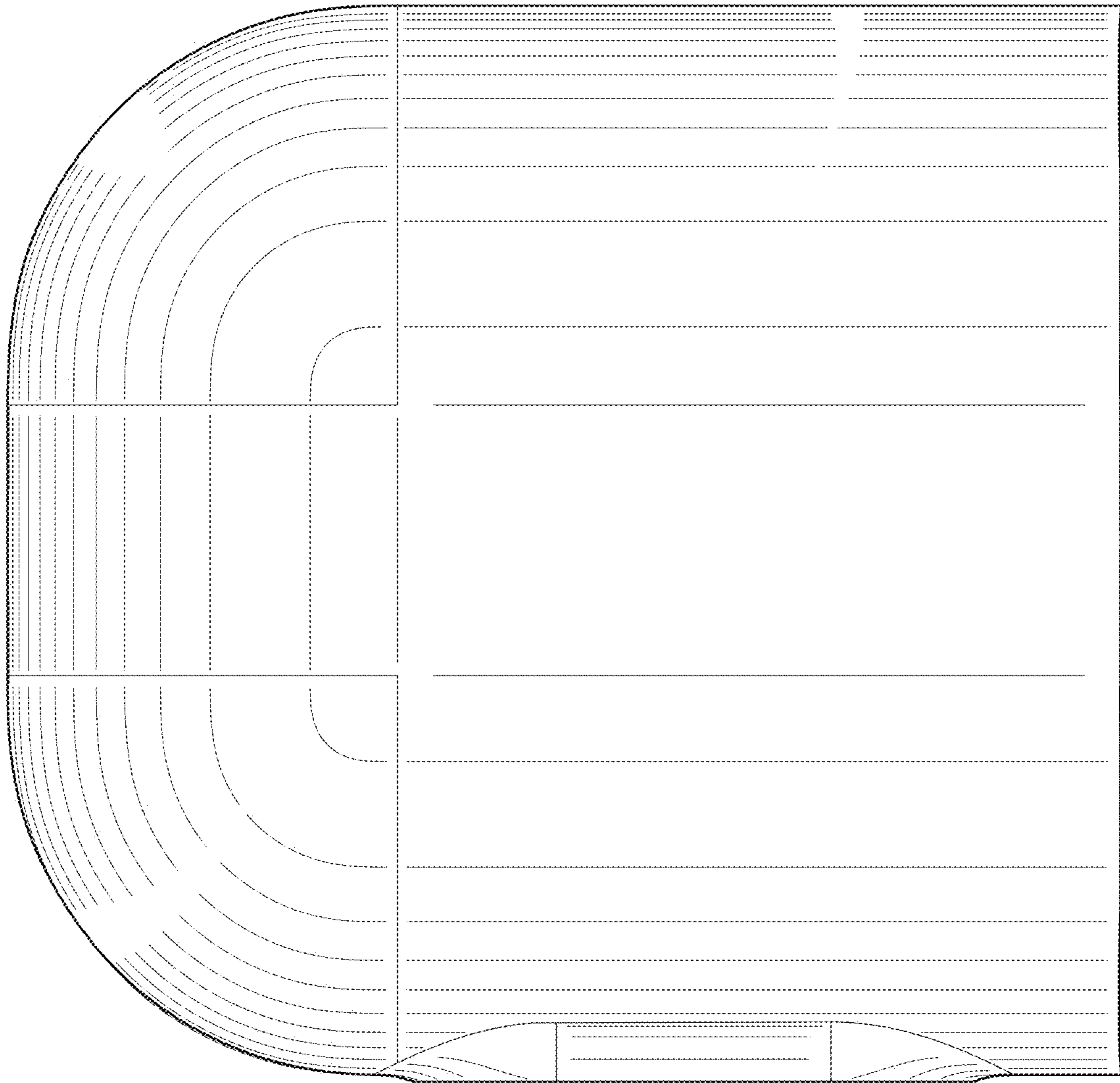


FIG. 5

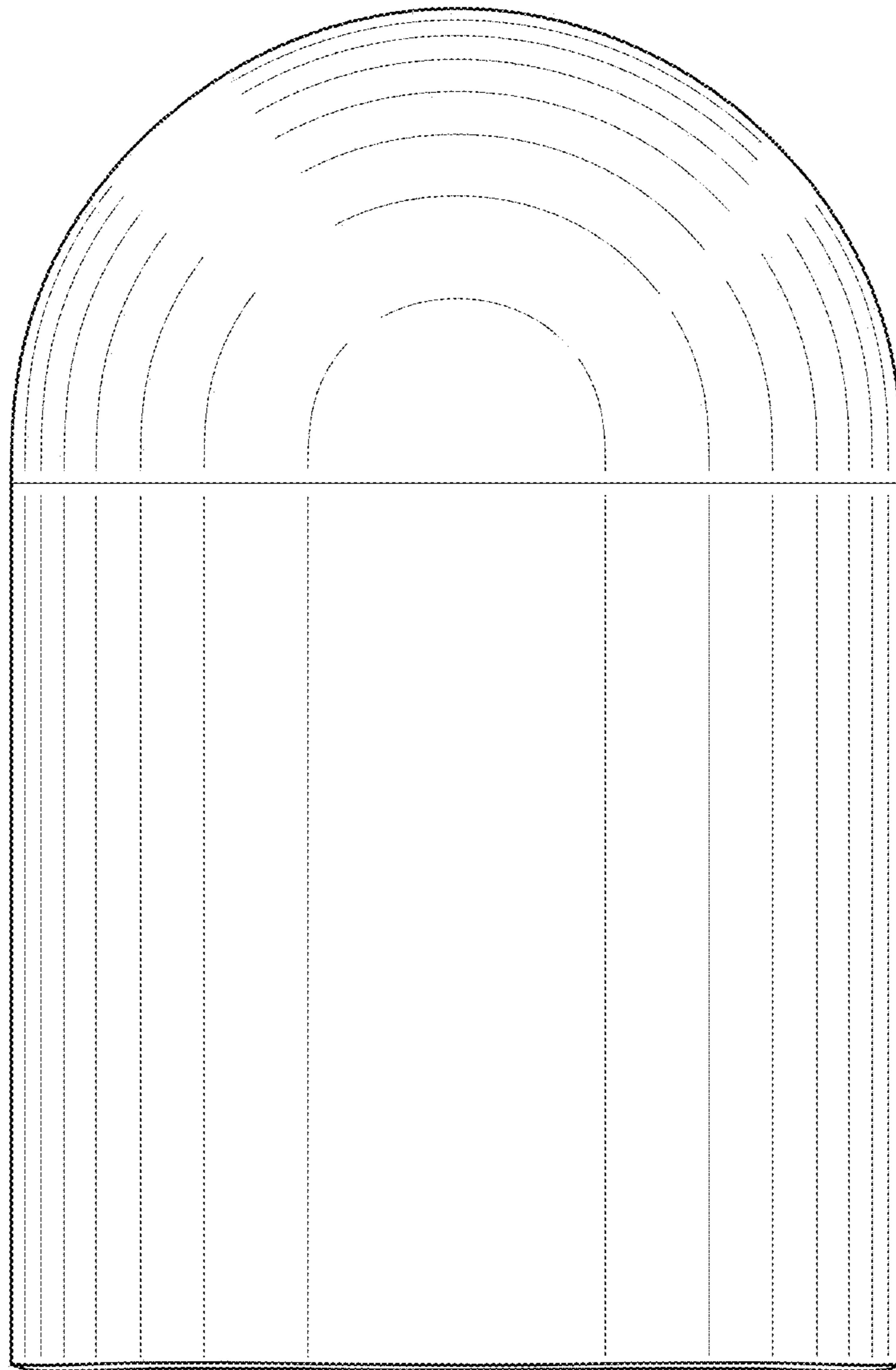


FIG. 6

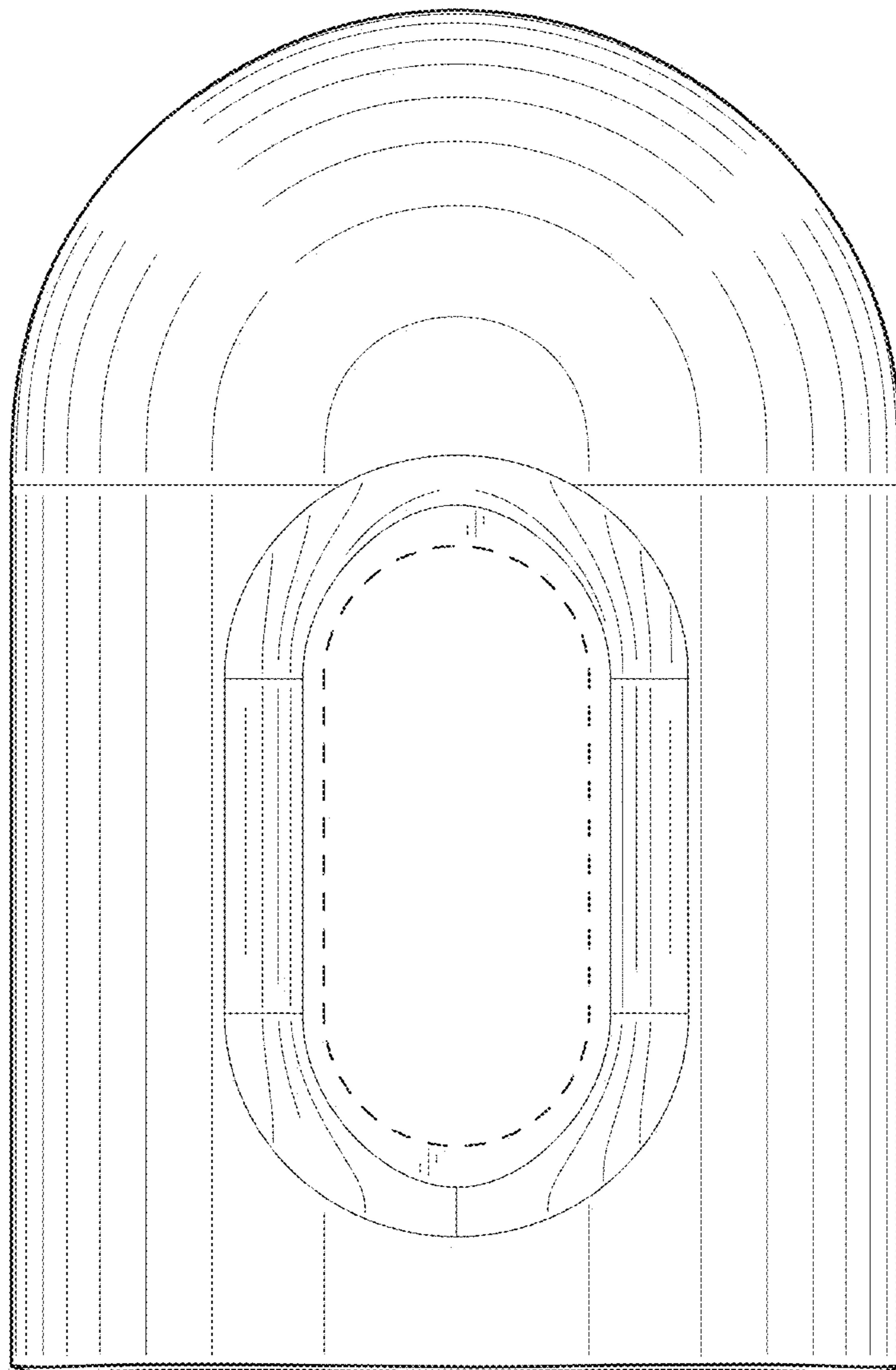


FIG. 7