



US00D891507S

(12) **United States Design Patent**
Chang

(10) **Patent No.:** **US D891,507 S**
(45) **Date of Patent:** **** Jul. 28, 2020**

(54) **COMBINED ROLLABLE SCREEN, REMOTE AND REMOTE CONTAINER WITH A HOOK**

(71) Applicant: **Michael Chau-Lun Chang**, Taipei (TW)

(72) Inventor: **Michael Chau-Lun Chang**, Taipei (TW)

(**) Term: **15 Years**

(21) Appl. No.: **29/666,741**

(22) Filed: **Oct. 16, 2018**

(51) **LOC (12) Cl.** **16-05**

(52) **U.S. Cl.**
USPC **D16/237**; D16/241

(58) **Field of Classification Search**
USPC D16/219, 237-250; D8/354, 355, 363, D8/373, 382-383, 394-396; D14/224, D14/229, 238, 251, 447, 451, 457
CPC H04N 5/2253-2254; G03B 17/561-568; G03B 17/56; G02B 7/00-002; F16M 11/14; F16M 11/06-10; A45F 2200/0508-0533; A45F 5/00; A45F 5/10
See application file for complete search history.

(56) **References Cited**

U.S. PATENT DOCUMENTS

D602,973 S *	10/2009	Adams	D16/241
D607,916 S *	1/2010	Orion	D16/241
D641,750 S *	7/2011	Hu	D14/341
D735,709 S *	8/2015	Daniel	D14/341
9,594,461 B1 *	3/2017	Daniel	G03B 21/608
D847,820 S *	5/2019	Pisapia	D14/447
2003/0160892 A1 *	8/2003	Tamura	H04N 5/2251 348/333.07
2006/0207142 A1 *	9/2006	Kochan	G09F 11/29 40/604
2006/0222442 A1 *	10/2006	Lin	B43K 29/12 401/195

2008/0086925 A1 *	4/2008	Yang	H04M 1/0268 40/610
2012/0038613 A1 *	2/2012	Choi	G06F 1/1652 345/211
2014/0362512 A1 *	12/2014	Hinson	G06F 15/025 361/679.21
2015/0220119 A1 *	8/2015	Seo	G06F 3/041 345/173

(Continued)

OTHER PUBLICATIONS

LG Philips develops oil and water based flexible display. [online] Published on Jul. 30, 2007. Retrieved Oct. 30, 2019 from URL: <https://www.engadget.com/2007/07/30/lg-philips-develops-oil-and-water-based-flexible-display/>.*

(Continued)

Primary Examiner — Vy N Koenig

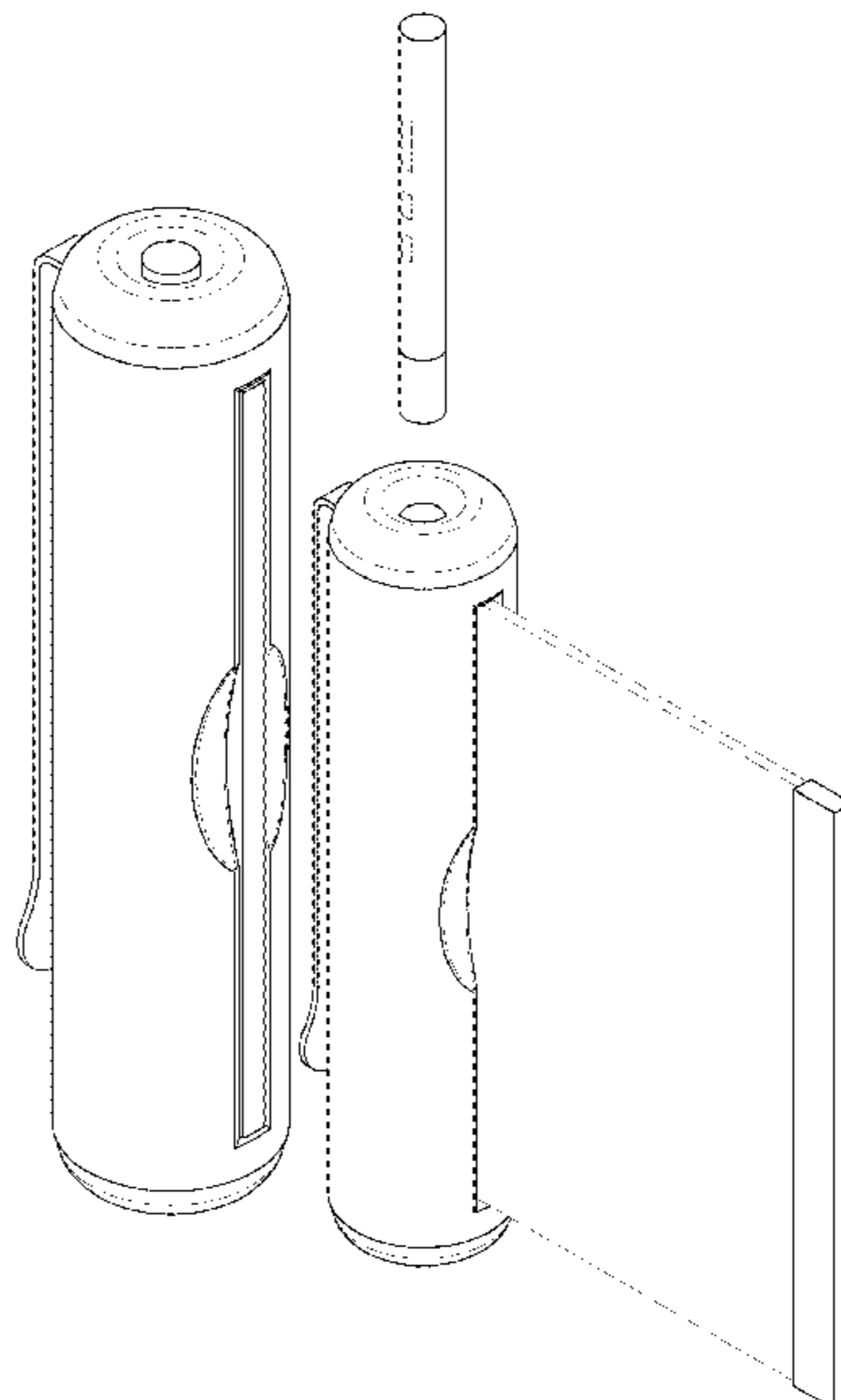
(57) **CLAIM**

The ornamental design for a combined rollable screen, remote and remote container with a hook, as shown and described.

DESCRIPTION

FIG. 1 is a front, top perspective view of combined rollable screen, remote and remote container with a hook showing my new design;
FIG. 2 is a front elevation view thereof;
FIG. 3 is a rear elevation view thereof;
FIG. 4 is a left side view thereof;
FIG. 5 is a right side view thereof;
FIG. 6 is a top plan view thereof;
FIG. 7 is a bottom plan view thereof; and,
FIG. 8 is an exploded perspective view of the combined rollable screen, remote and remote container with a hook, in which the broken line screen and remote portion of the figure drawings is included to show unclaimed subject matter only and forms no part of the claimed design.

1 Claim, 8 Drawing Sheets



(56)

References Cited

U.S. PATENT DOCUMENTS

2016/0079329 A1* 3/2016 Lee G06F 1/1643
257/40
2016/0112667 A1* 4/2016 Park G06F 1/1601
348/739
2016/0205791 A1* 7/2016 Kim G06F 1/1652
361/679.01
2016/0299531 A1* 10/2016 Vertegaal G06F 1/1666
2017/0090659 A1* 3/2017 Shiozaki G06F 1/1652

OTHER PUBLICATIONS

Watch Samsung's rollable display in action. [online] Published on May 24, 2016. Retrieved Oct. 30, 2019 from URL: <https://www.slashgear.com/watch-samsungs-rollable-display-in-action-24441409/>.*

* cited by examiner

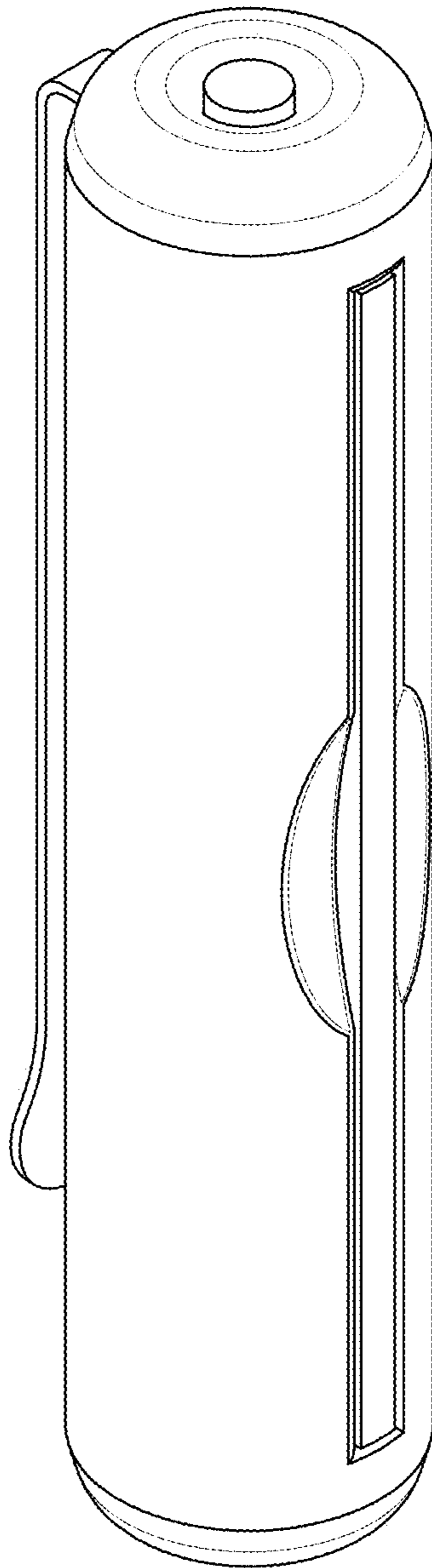


FIG. 1

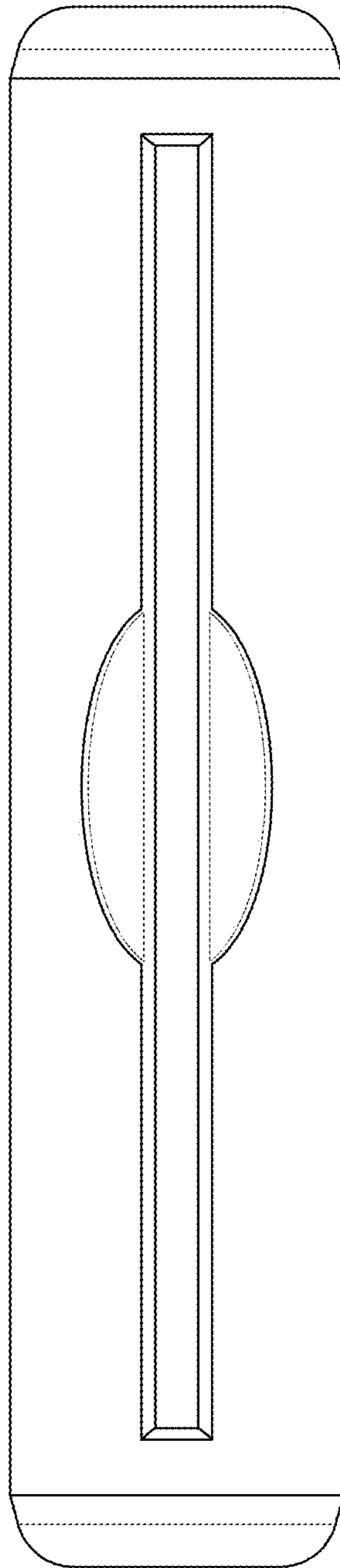


FIG. 2

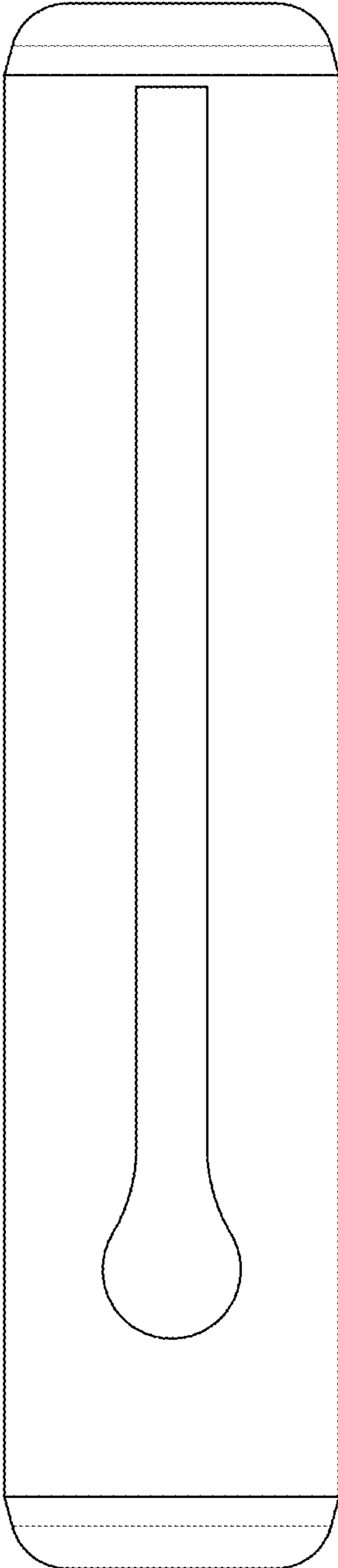


FIG. 3

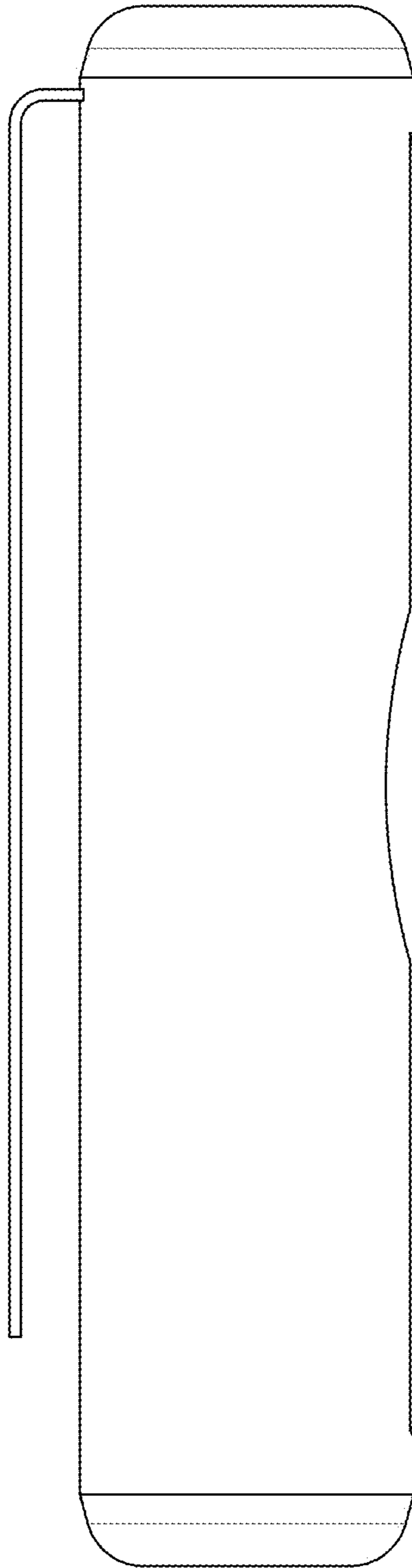


FIG. 4

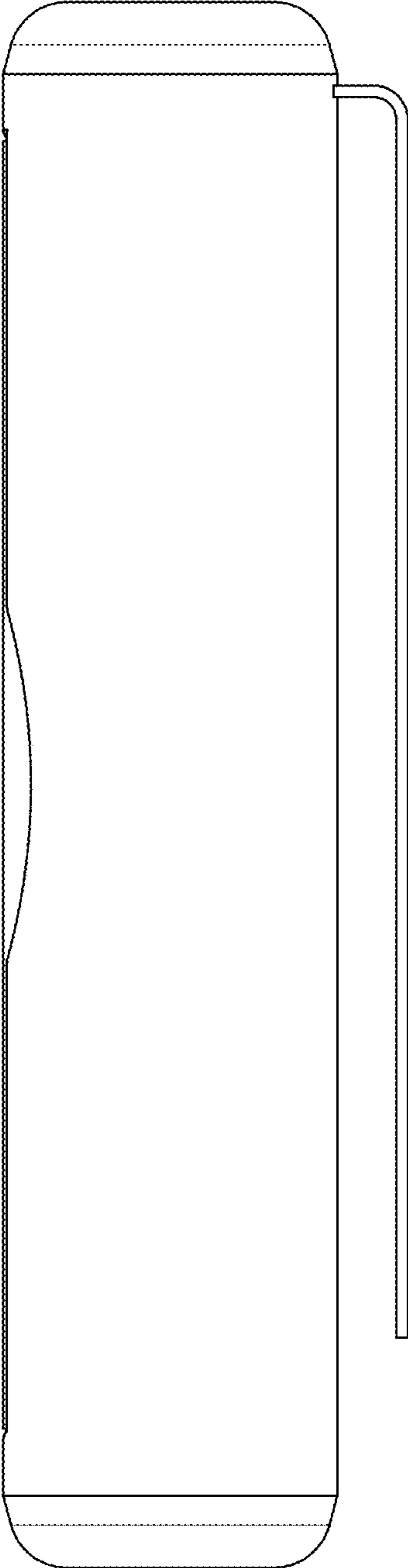


FIG. 5

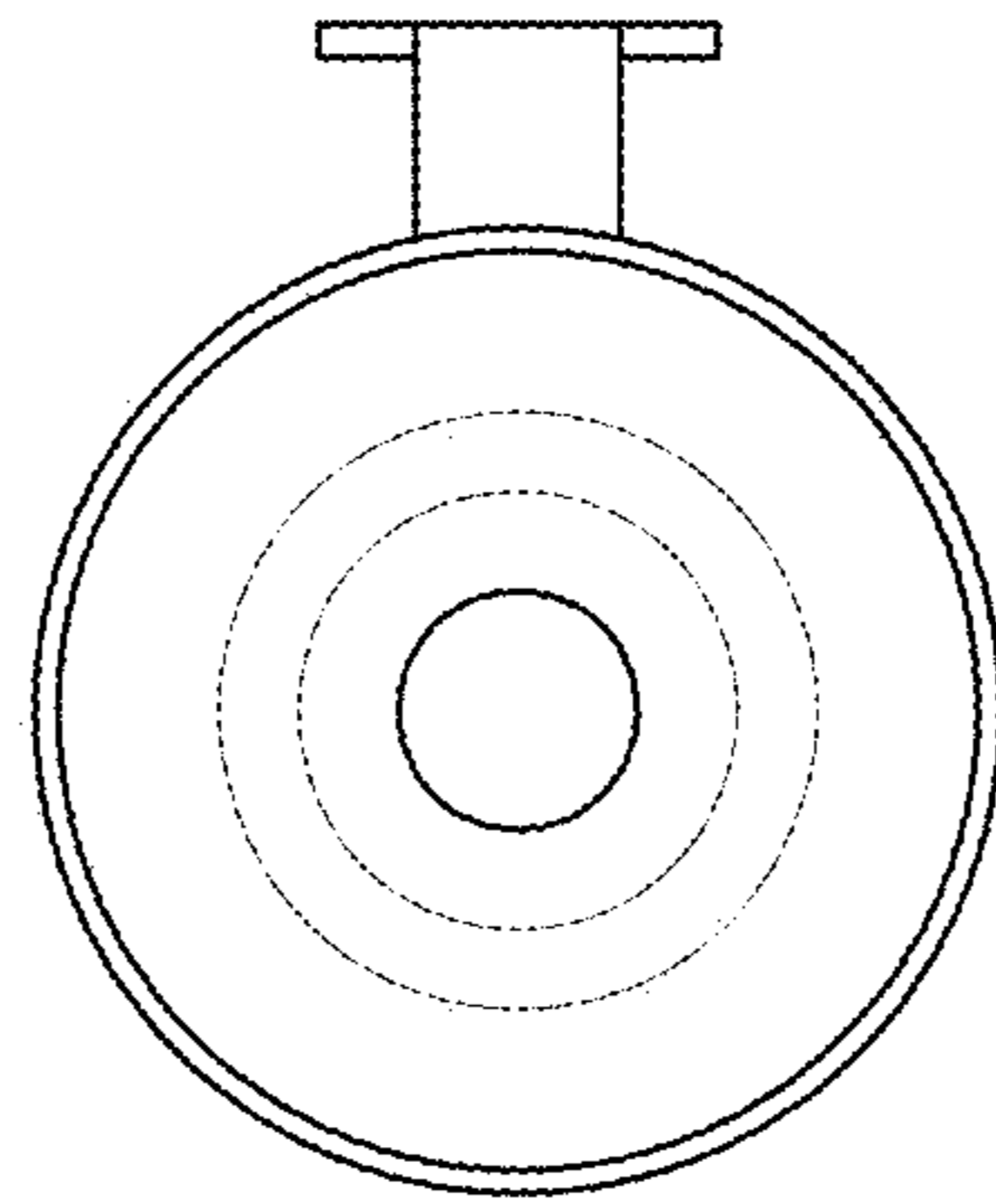


FIG. 6

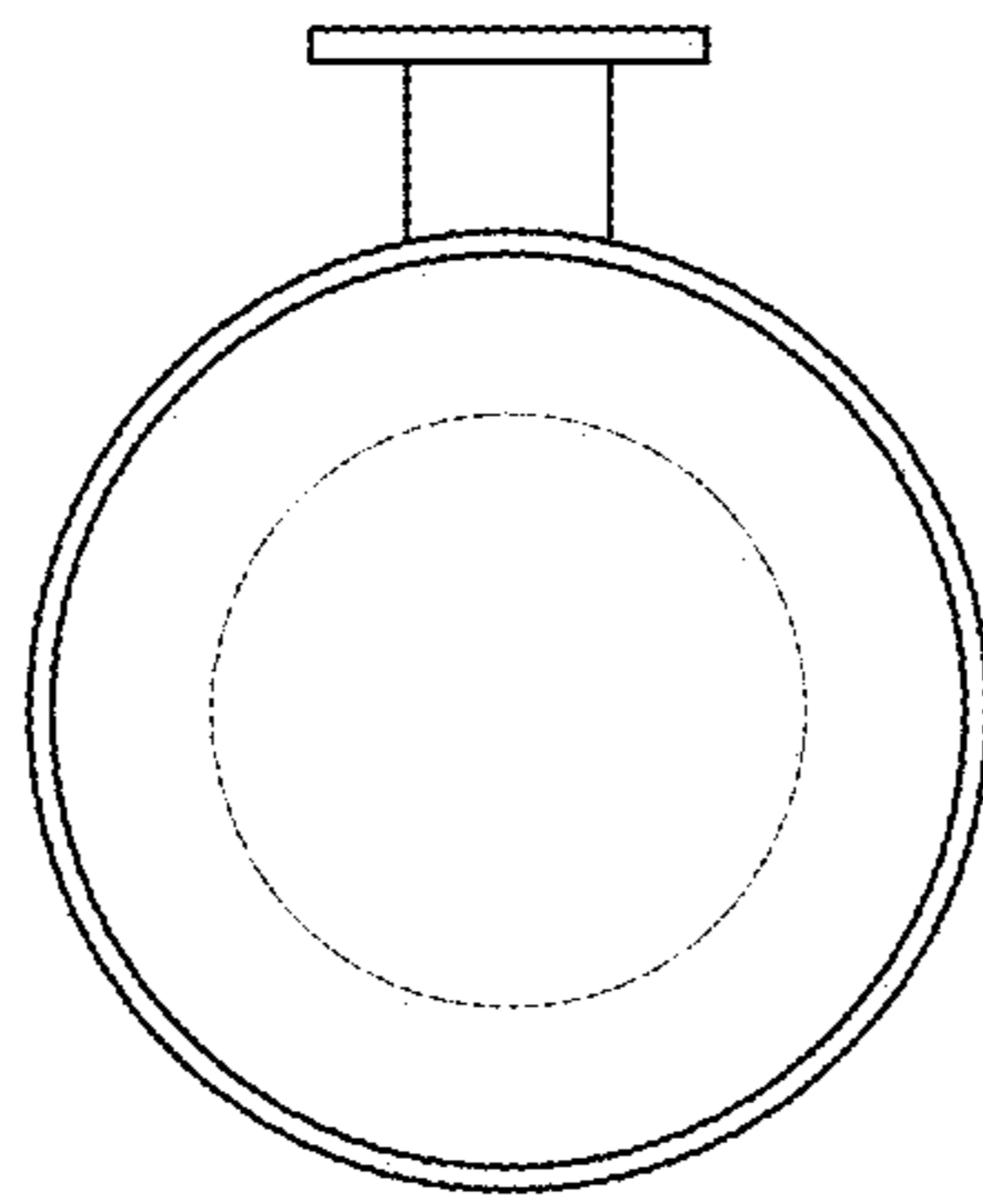


FIG. 7

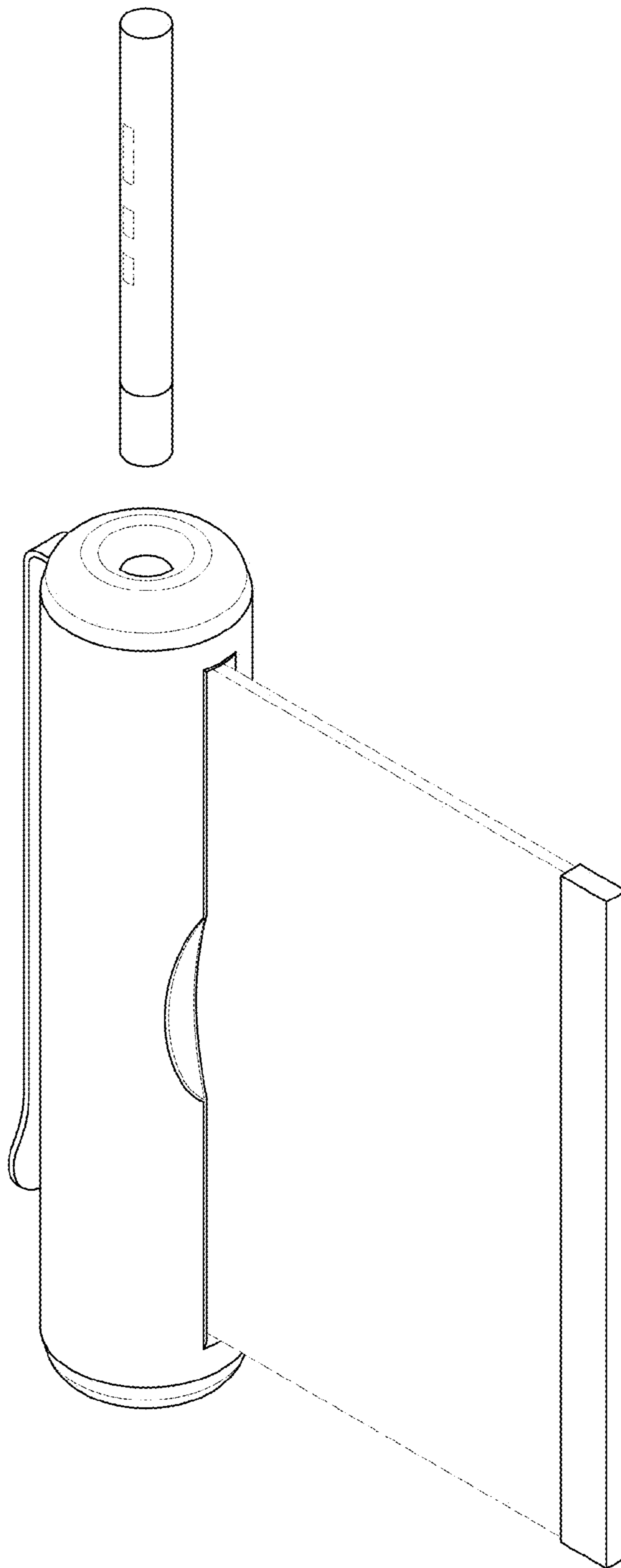


FIG. 8