



US00D891503S

(12) **United States Design Patent**
Wang

(10) **Patent No.:** **US D891,503 S**
(45) **Date of Patent:** **** Jul. 28, 2020**

- (54) **GIMBAL CAMERA**
- (71) Applicant: **AUTEL ROBOTICS CO., LTD.**,
Shenzhen (CN)
- (72) Inventor: **Yongshuai Wang**, Shenzhen (CN)
- (73) Assignee: **AUTEL ROBOTICS CO., LTD.**,
Shenzhen (CN)
- (**) Term: **15 Years**
- (21) Appl. No.: **29/646,329**
- (22) Filed: **May 3, 2018**

D509,842 S *	9/2005	Ou	D16/202
D520,548 S *	5/2006	Tsai	D16/203
D542,319 S *	5/2007	Ishida	D16/202
D576,653 S *	9/2008	Malthouse	D16/203
D608,811 S *	1/2010	Frank	D16/203
D634,345 S *	3/2011	Kim	D16/203
D634,767 S *	3/2011	Ko	D16/242
D649,175 S *	11/2011	Willis	D16/242
D708,654 S *	7/2014	Tani	D16/203
D710,452 S *	8/2014	Barajas	D12/16.1
D718,360 S *	11/2014	Matoba	D16/203
D719,204 S *	12/2014	Nakanishi	D16/203
D723,604 S *	3/2015	Mohan	D16/203
D753,205 S *	4/2016	Stark	D16/203
D753,206 S *	4/2016	Ravat	D16/203
D762,131 S *	7/2016	Hays	D10/106.7
D771,173 S *	11/2016	Hinkel	D16/203
D776,739 S *	1/2017	Urashima	D16/203

(30) **Foreign Application Priority Data**

Dec. 6, 2017 (CN) 2017 3 0617111

(51) **LOC (12) Cl.** **16-01**

(52) **U.S. Cl.**
USPC **D16/218**; D16/219

(58) **Field of Classification Search**
USPC D12/16.1; D14/124, 125, 126, 129, 133,
D14/314, 317, 336, 348–351, 356, 420;
D16/131, 135, 136, 200, 201, 202, 203,
D16/205–221, 225, 232, 235, 241;
348/373–376; 396/535, 539–541
CPC G03B 15/03; G03B 17/02; G03B 17/04;
G03B 17/56; G03B 19/04; H04N
5/2251–2254; H04N 2101/00
See application file for complete search history.

(56) **References Cited**

U.S. PATENT DOCUMENTS

D359,061 S *	6/1995	Omi	D16/136
D470,875 S *	2/2003	Liao	D16/202

* cited by examiner

Primary Examiner — Ramzi S Almatrahi

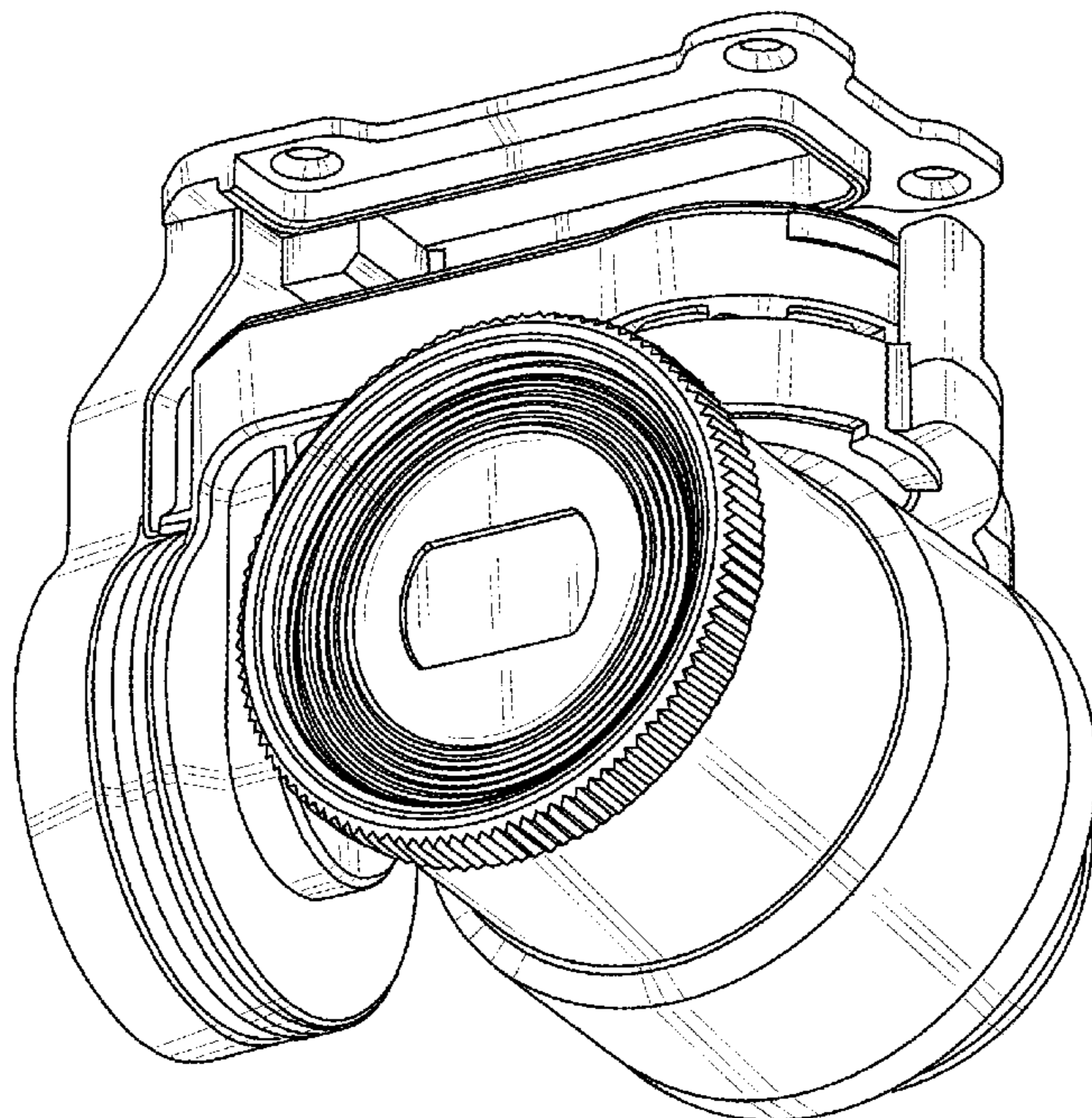
(57) **CLAIM**

The ornamental design for a gimbal camera, as shown and described.

DESCRIPTION

FIG. 1 is a front perspective view of a gimbal camera showing my new design;
FIG. 2 is a front elevational view thereof;
FIG. 3 is a back elevational view thereof;
FIG. 4 is a left side elevational view thereof;
FIG. 5 is a right side elevational view thereof;
FIG. 6 is a top plan view thereof; and,
FIG. 7 is a bottom plan view thereof.
The broken lines depict portions of the gimbal camera in which the design is embodied that form no part of the claimed design.

1 Claim, 7 Drawing Sheets



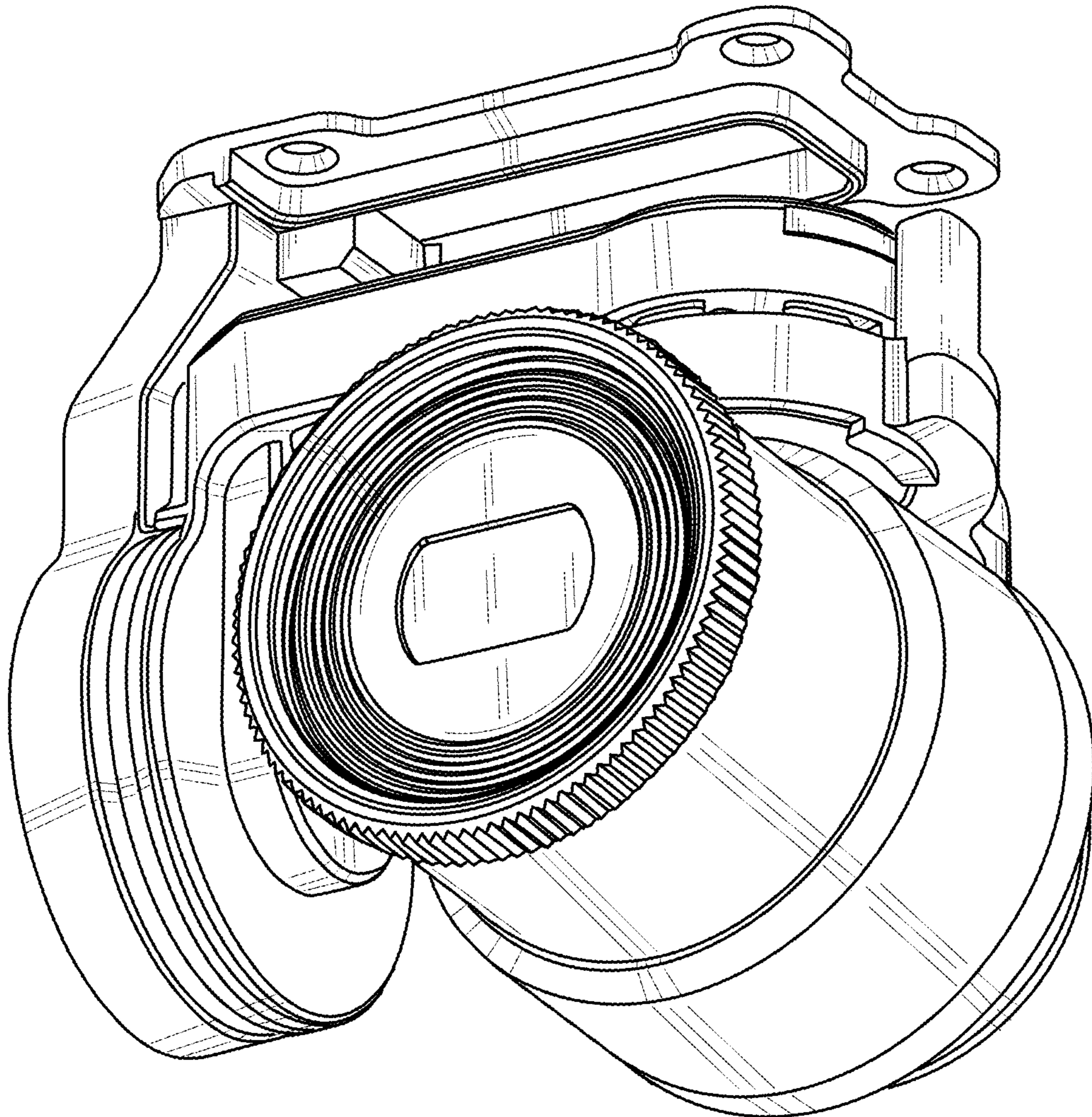


FIG. 1

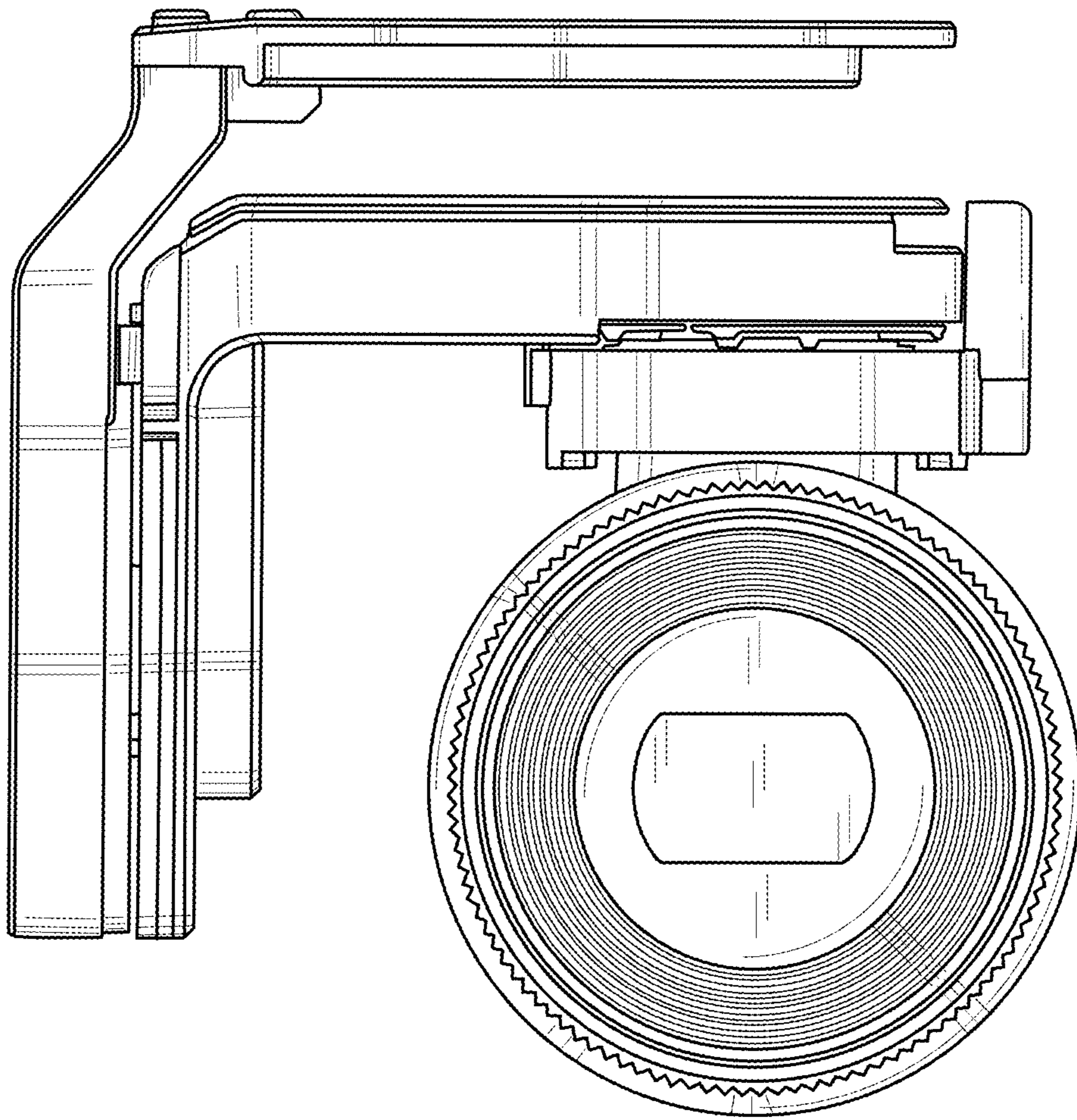


FIG. 2

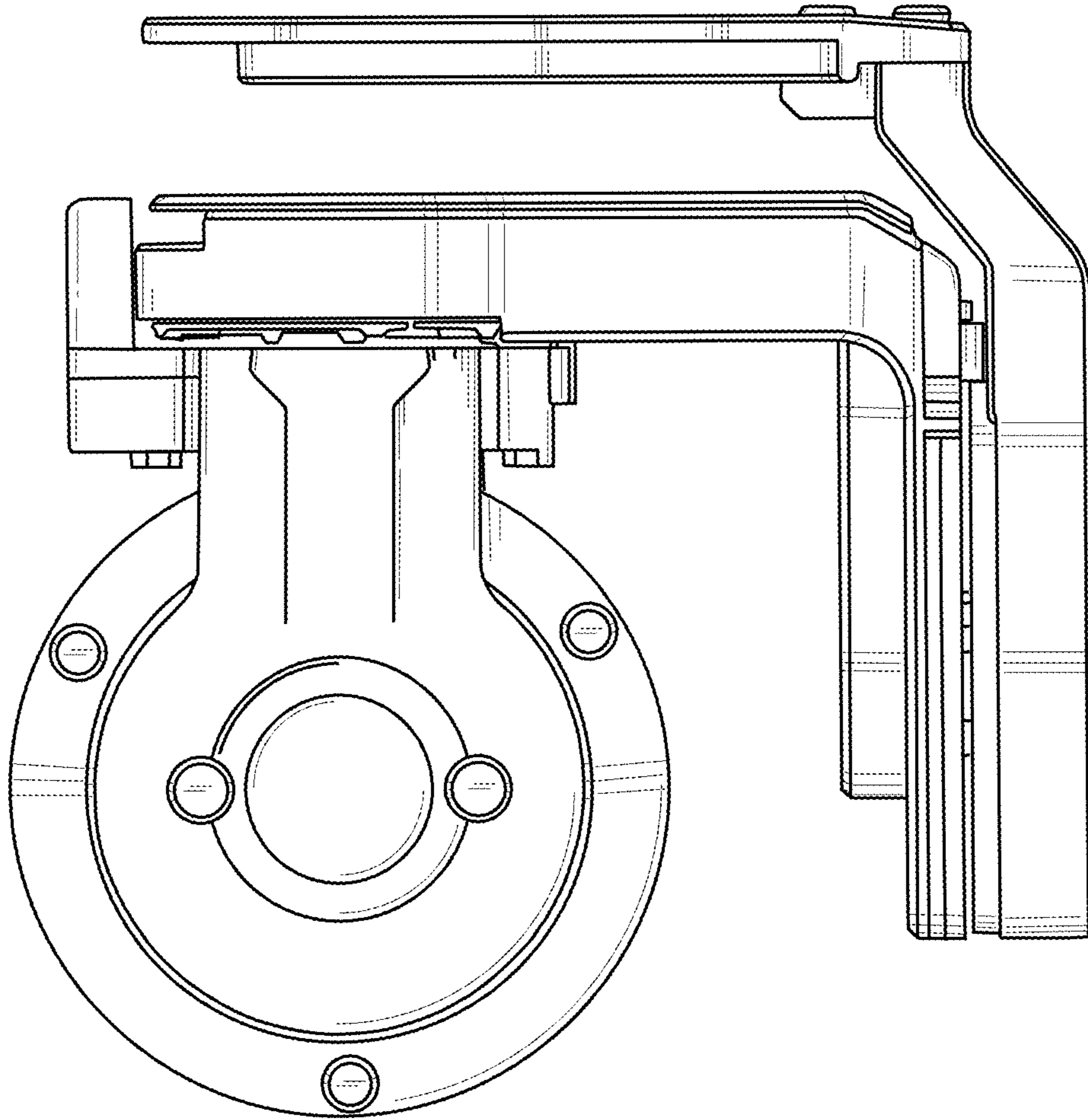


FIG. 3

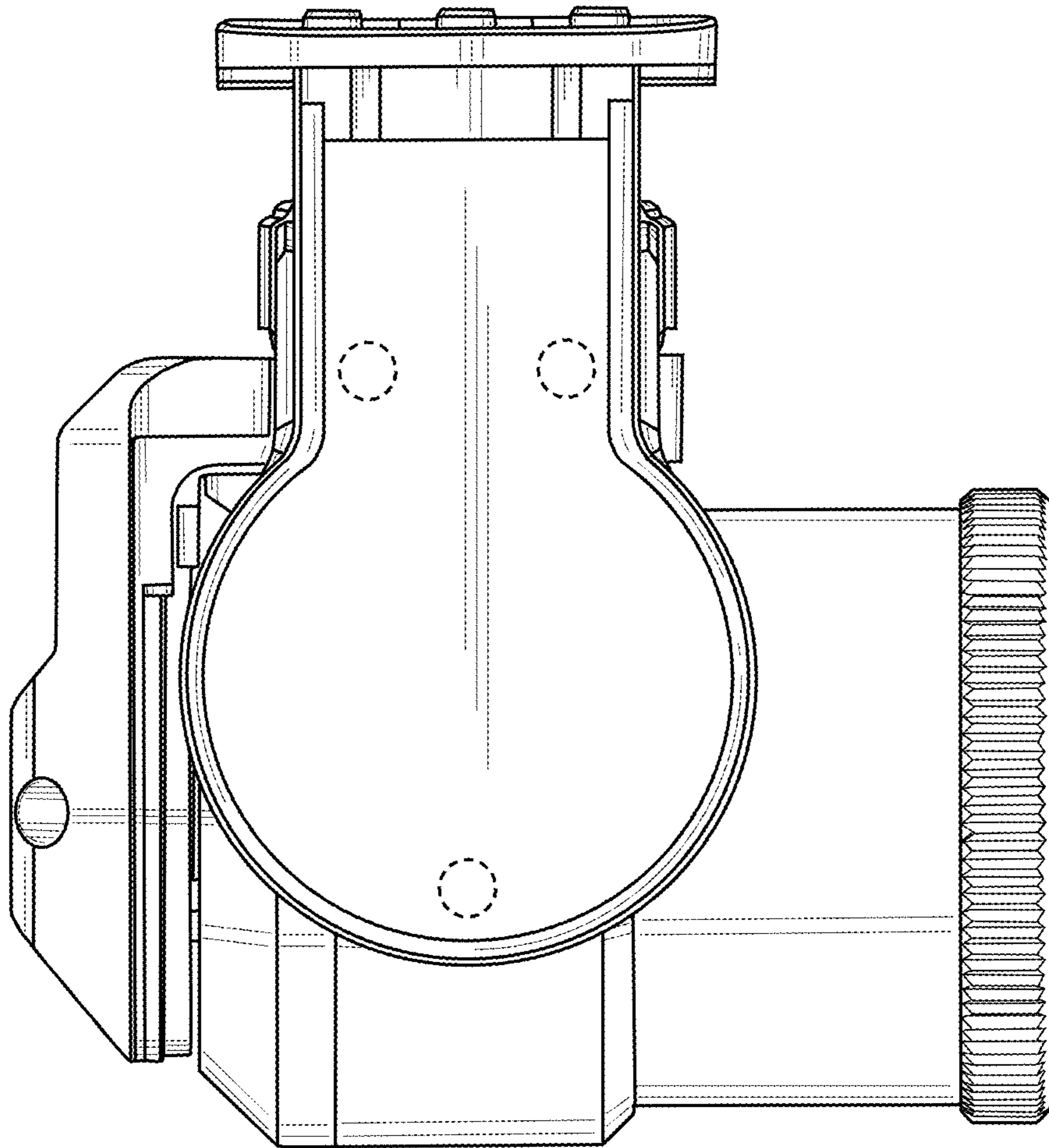


FIG. 4

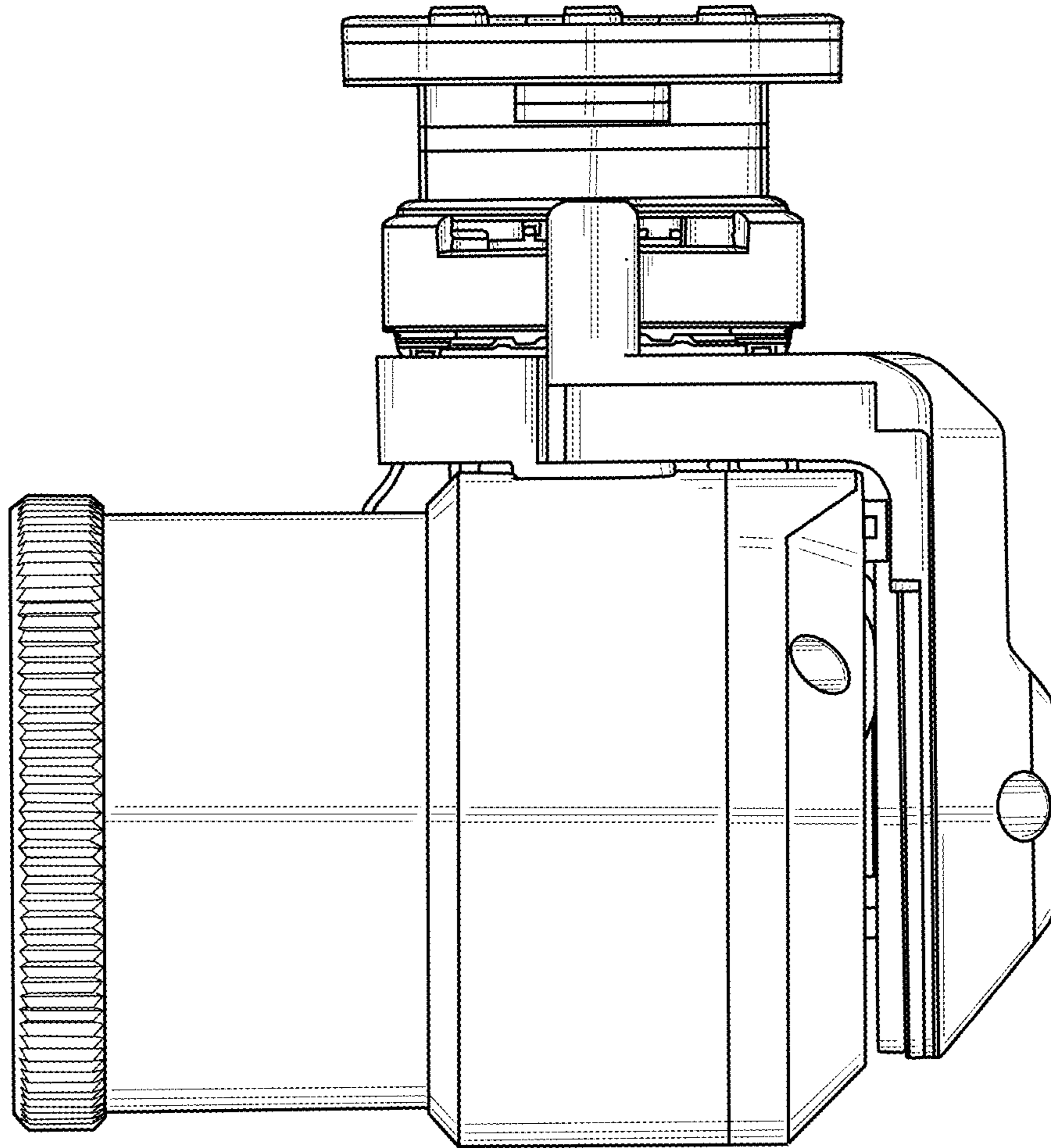


FIG. 5

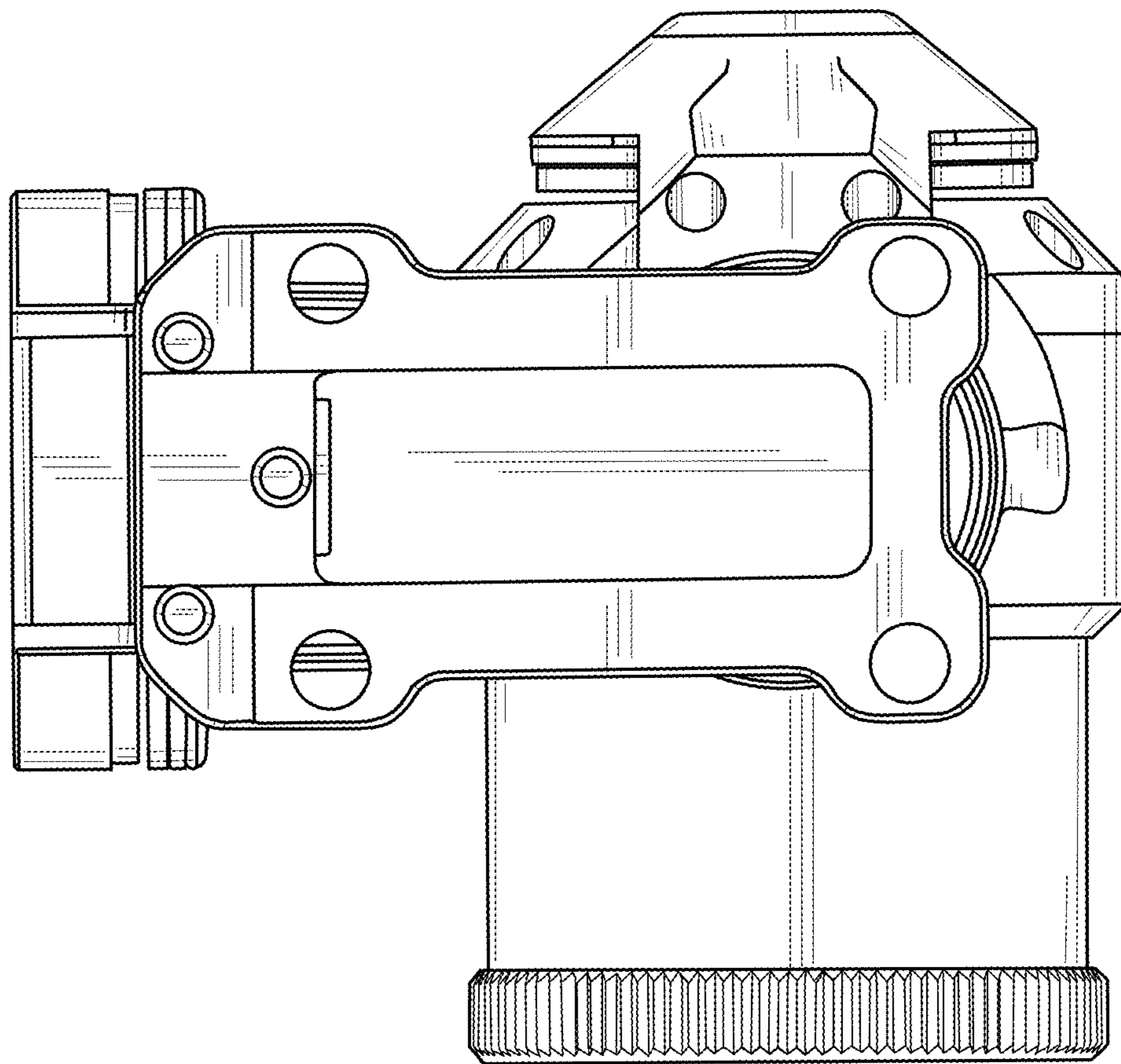


FIG. 6

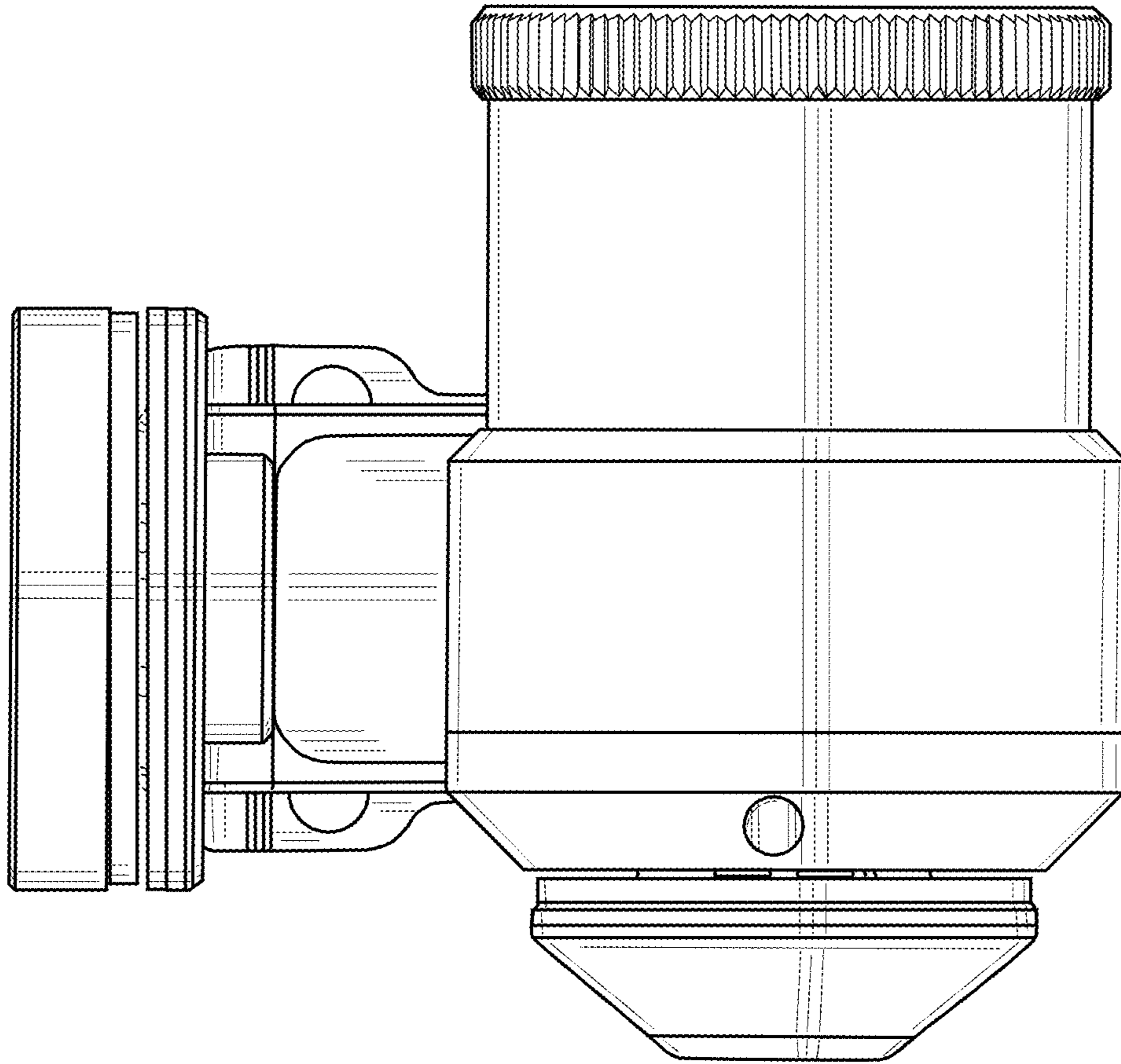


FIG. 7