



US00D891502S

(12) **United States Design Patent**
Kan et al.

(10) **Patent No.:** **US D891,502 S**

(45) **Date of Patent:** **** Jul. 28, 2020**

- (54) **CAMERA**
- (71) Applicant: **DYNACOLOR, INC.**, Taipei (TW)
- (72) Inventors: **Shih-Ting Kan**, Taipei (TW);
Hsing-Fang Yeh, Taipei (TW)
- (73) Assignee: **DYNACOLOR, INC.**, Taipei (TW)
- (**) Term: **15 Years**

D626,984 S *	11/2010	Miyaji	D16/202
8,695,258 B2 *	4/2014	Kori	G09F 7/06 40/663
D723,395 S *	3/2015	Dispenza	D10/53
D741,389 S *	10/2015	Park	D16/203
D783,076 S *	4/2017	Ravat	D16/203
D813,290 S *	3/2018	Song	D16/203
D813,926 S *	3/2018	Shin	D16/203
D884,769 S *	5/2020	Katori	D16/203

* cited by examiner

Primary Examiner — Ramzi S Almatrahi

- (21) Appl. No.: **29/691,579**
- (22) Filed: **May 17, 2019**
- (51) **LOC (12) Cl.** **16-01**
- (52) **U.S. Cl.**
USPC **D16/203**
- (58) **Field of Classification Search**
USPC D16/200, 202–205, 208, 218, 219, 242;
348/143, 148, 151, 373–376; 396/419,
396/427, 535, 539–541
CPC G03B 17/02; G03B 19/04; G03B 17/56;
G03B 17/04; G03B 15/03; H04N 5/2251;
H04N 5/2252; H04N 5/2253; H04N
5/2254; H04N 7/181; H04N 7/183; H04N
7/18; G08B 13/1963; G08B 13/19619;
G08B 13/19632; F16M 11/04; F16M
13/00
See application file for complete search history.

(57) **CLAIM**

The ornamental design for a camera, as shown and described.

DESCRIPTION

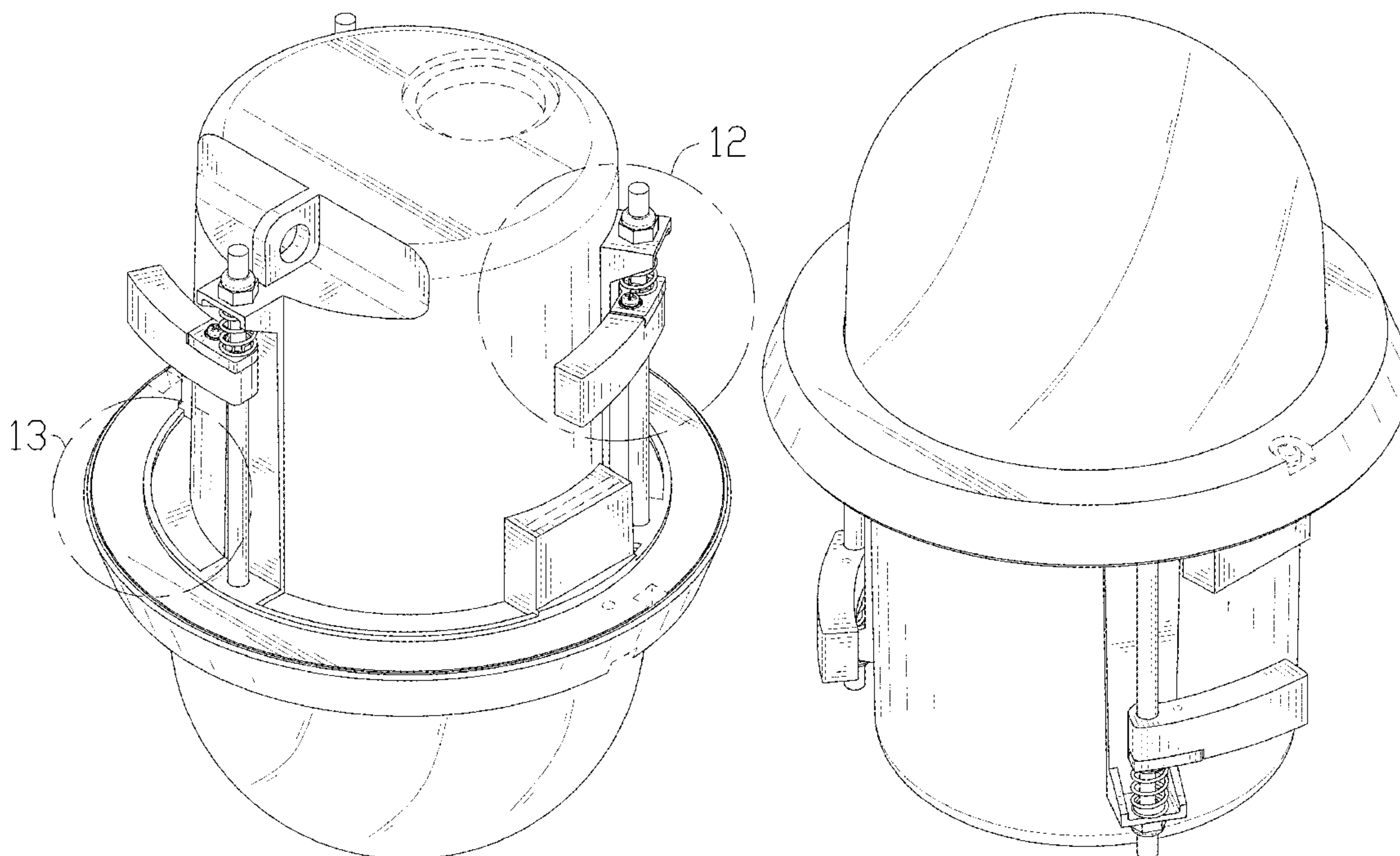
FIG. 1 is a top, front and right side perspective view of a camera showing our new design;
 FIG. 2 is a top, front and left side perspective view thereof;
 FIG. 3 is a top, rear and left side perspective view thereof;
 FIG. 4 is a bottom, rear and right side perspective view thereof;
 FIG. 5 is a bottom, front and left side perspective view thereof;
 FIG. 6 is a front elevational view thereof;
 FIG. 7 is a rear elevational view thereof;
 FIG. 8 is a left side view thereof;
 FIG. 9 is a right side view thereof;
 FIG. 10 is a top plan view thereof;
 FIG. 11 is a bottom plan view thereof;
 FIG. 12 is an enlarged view of portion 12 in FIG. 1; and,
 FIG. 13 is an enlarged view of portion 13 in FIG. 1.
 The broken lines in the drawings illustrate portions of the camera which form no part of the claimed design.

(56) **References Cited**

U.S. PATENT DOCUMENTS

D542,319 S *	5/2007	Ishida	D16/202
D552,650 S *	10/2007	Yamakawa	D16/203
D562,870 S *	2/2008	Komatsu	D16/203
D609,732 S *	2/2010	Frank	D16/203

1 Claim, 13 Drawing Sheets



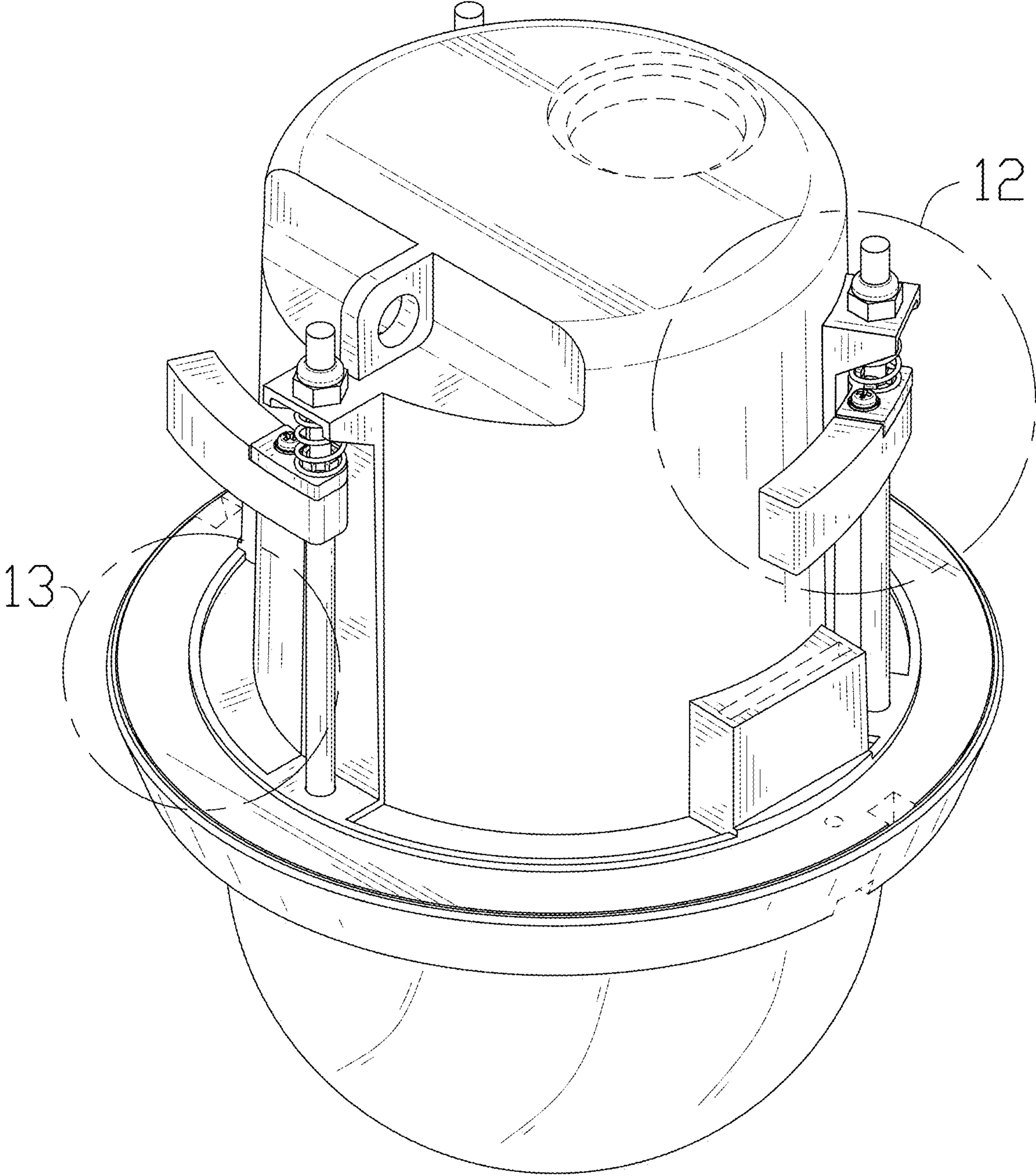


FIG. 1

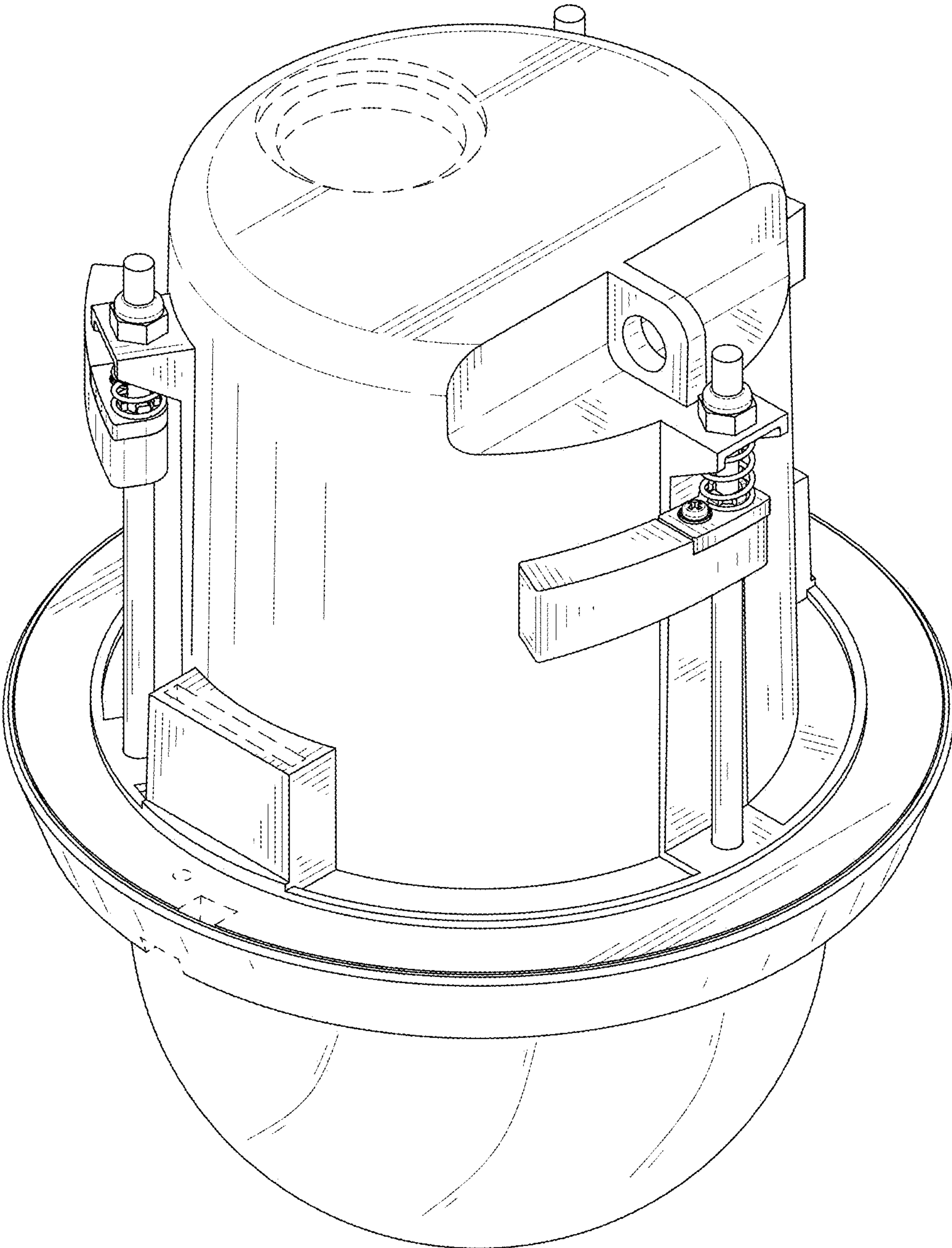


FIG. 2

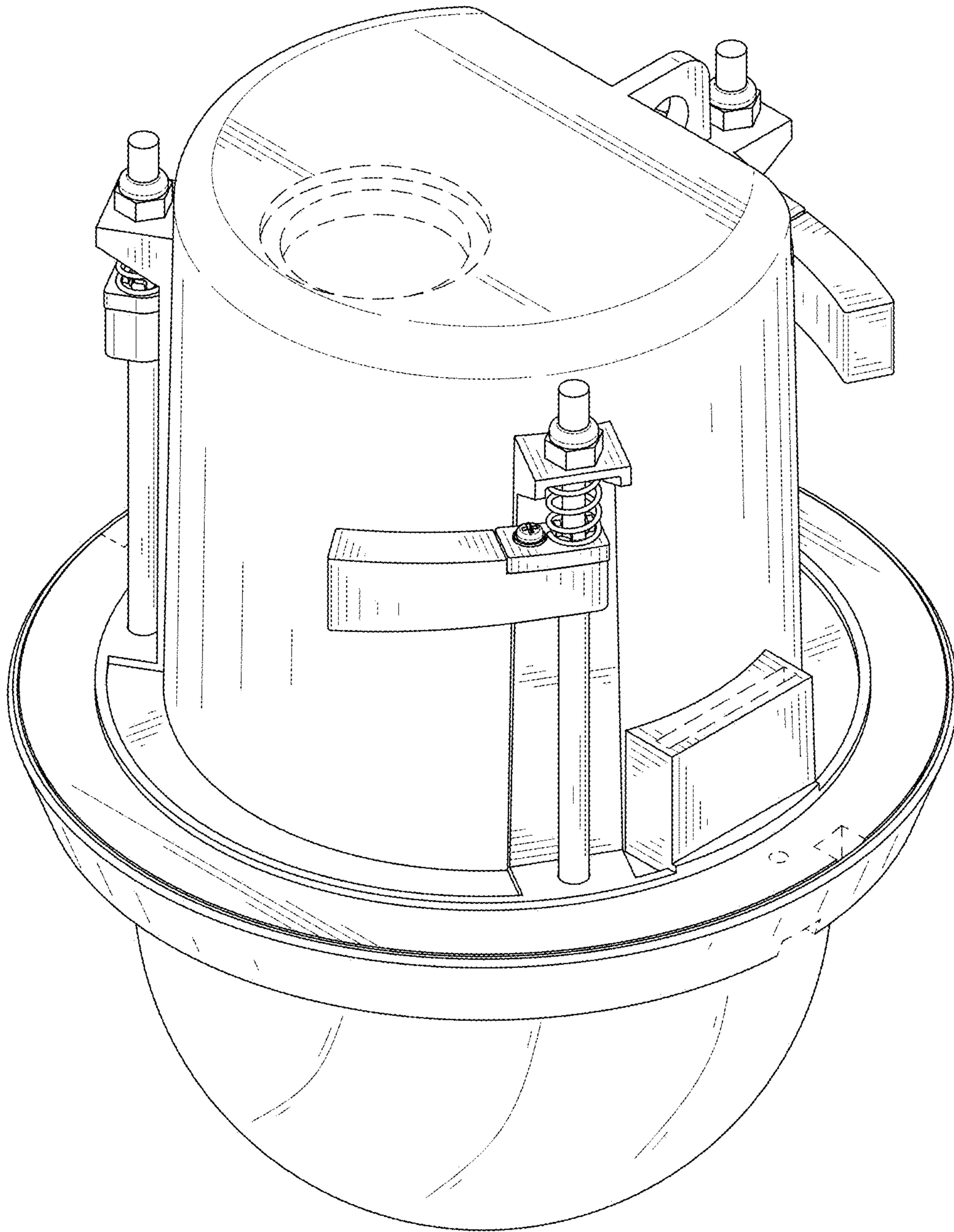


FIG. 3

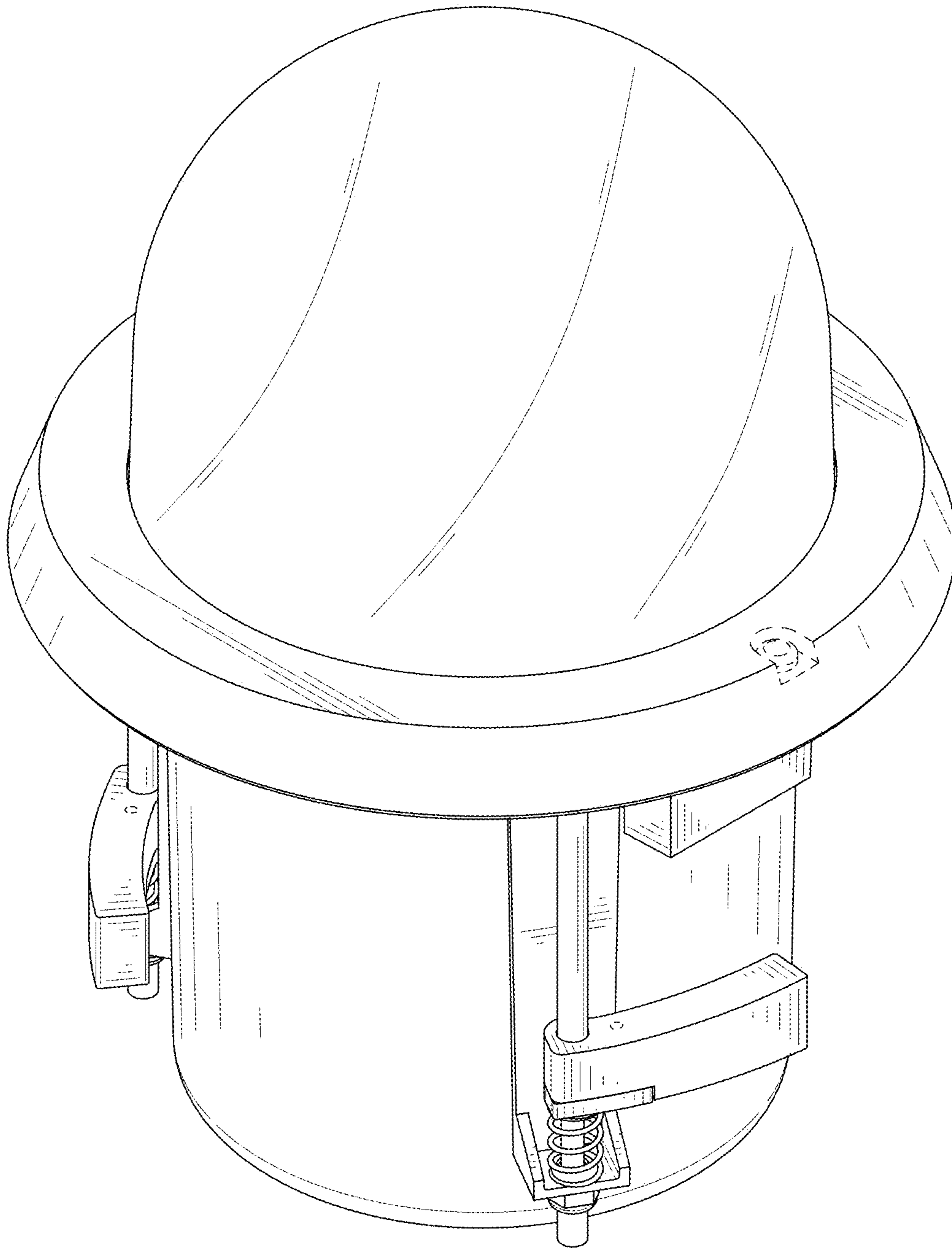


FIG. 4

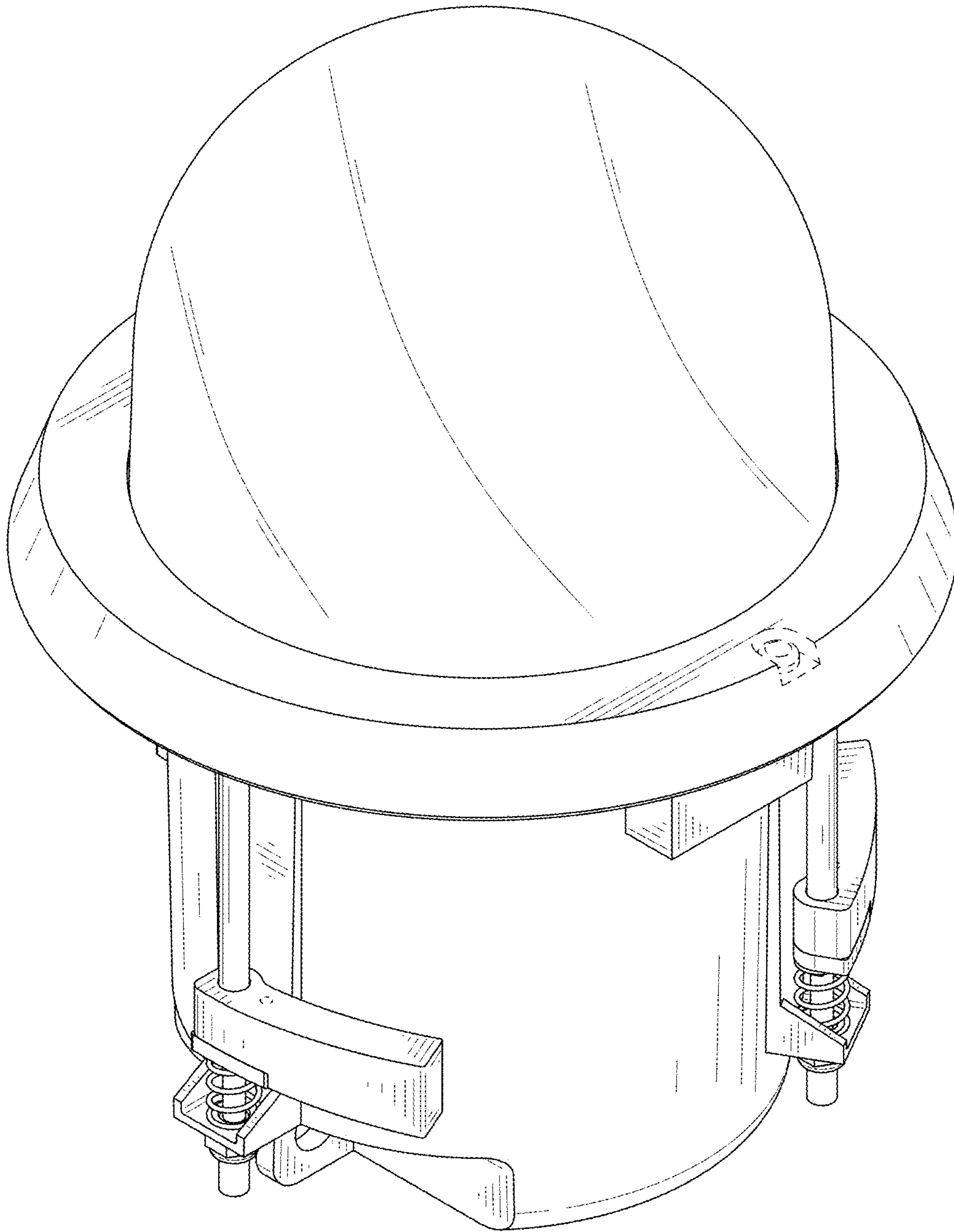


FIG. 5

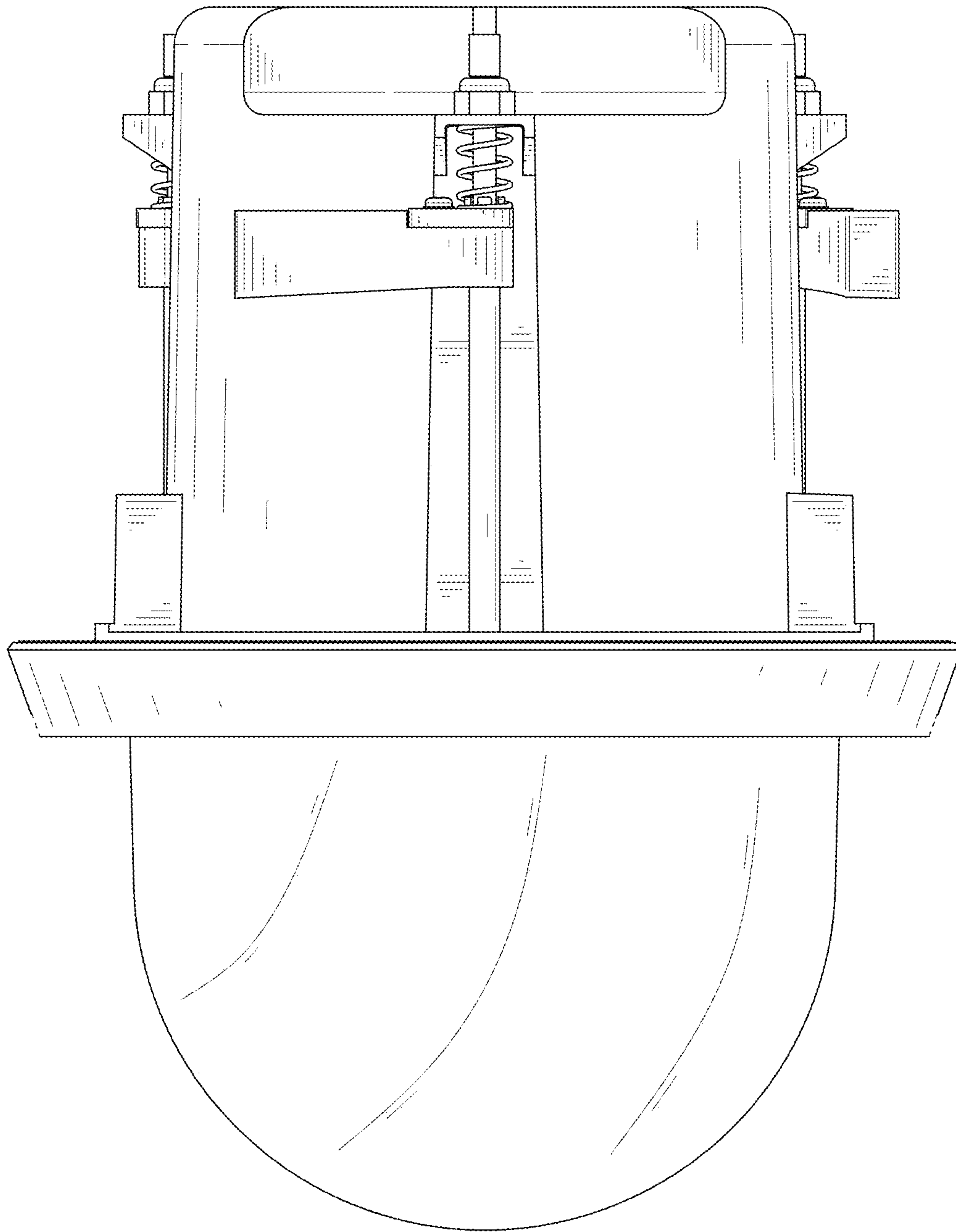


FIG. 6

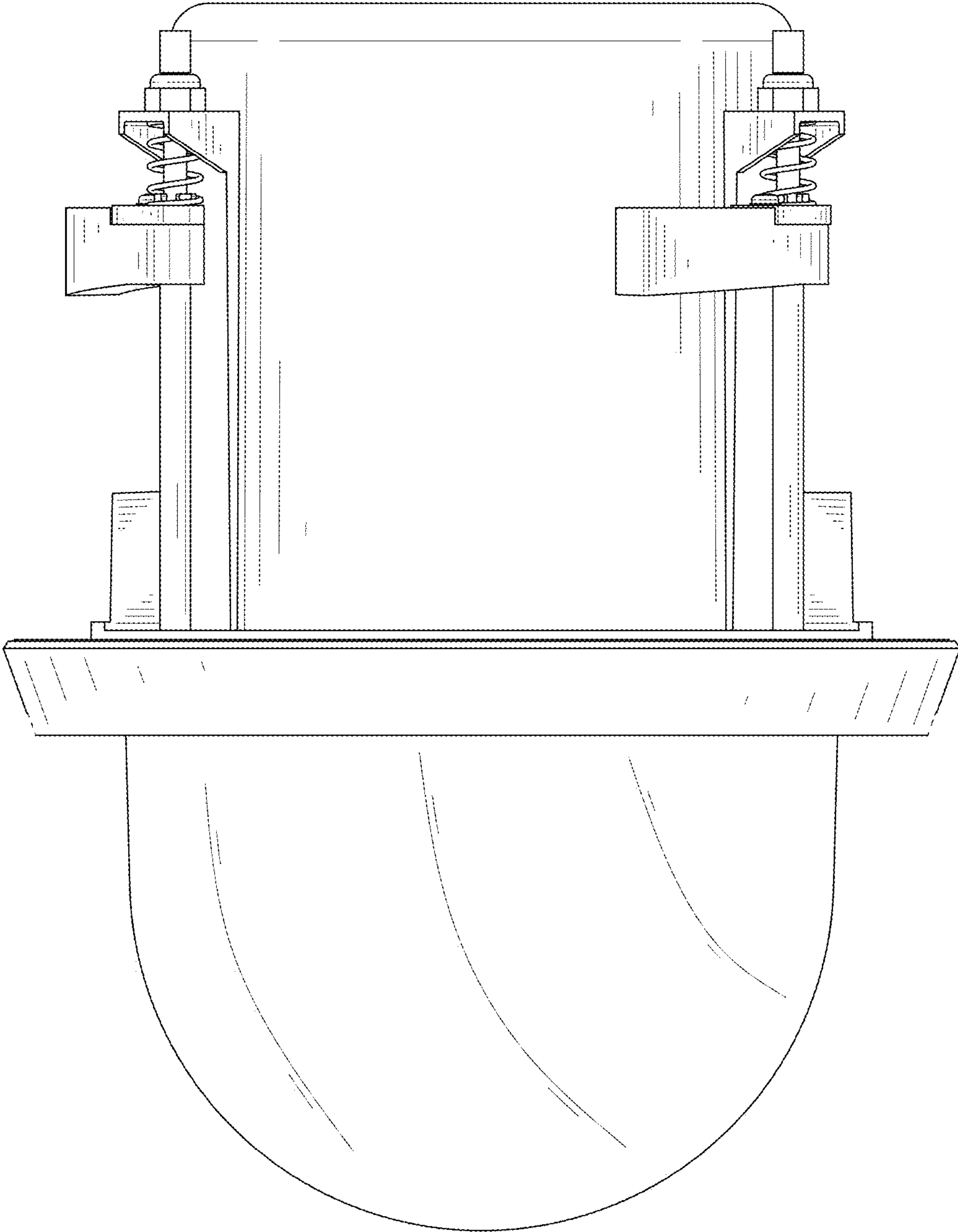


FIG. 7

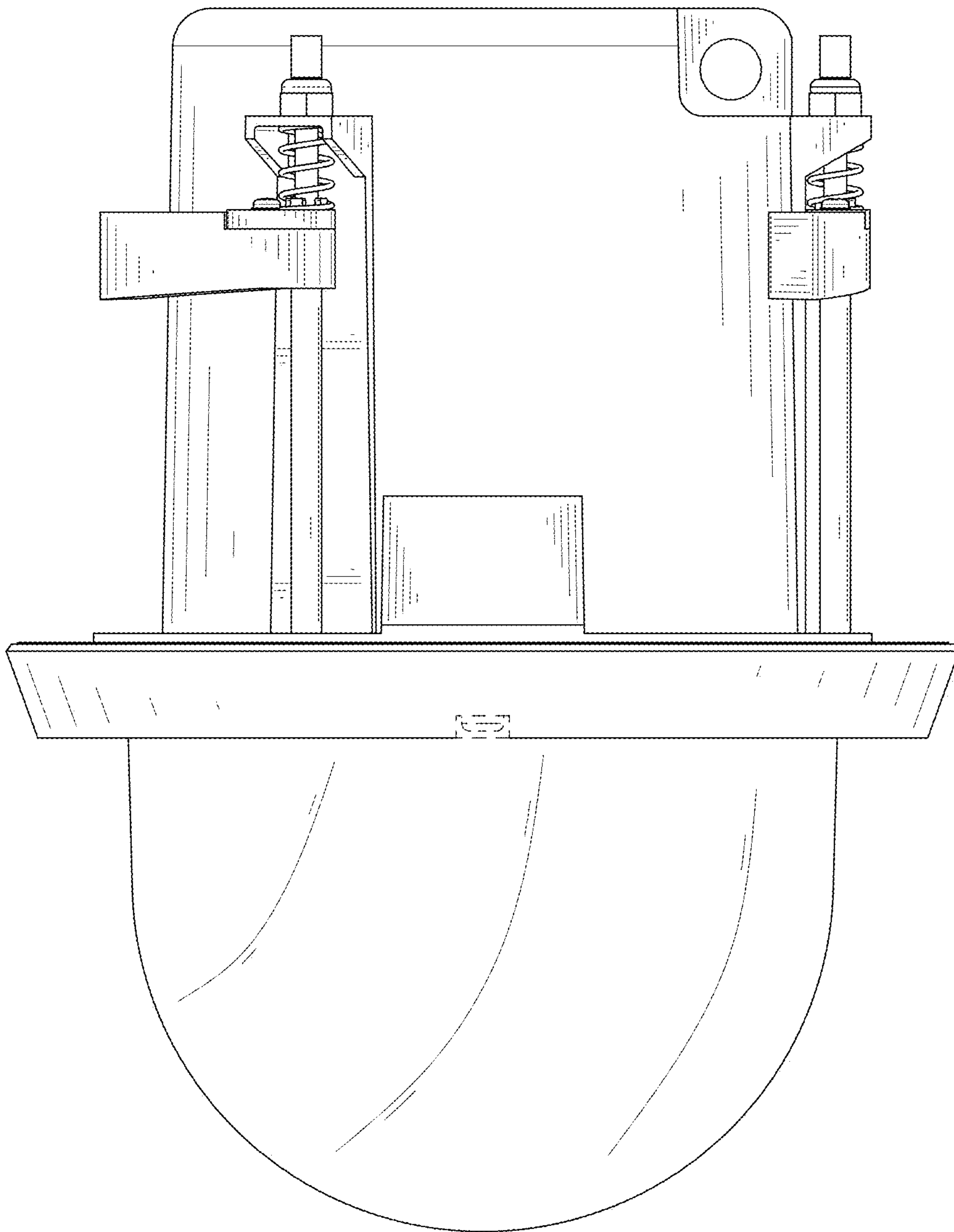


FIG. 8

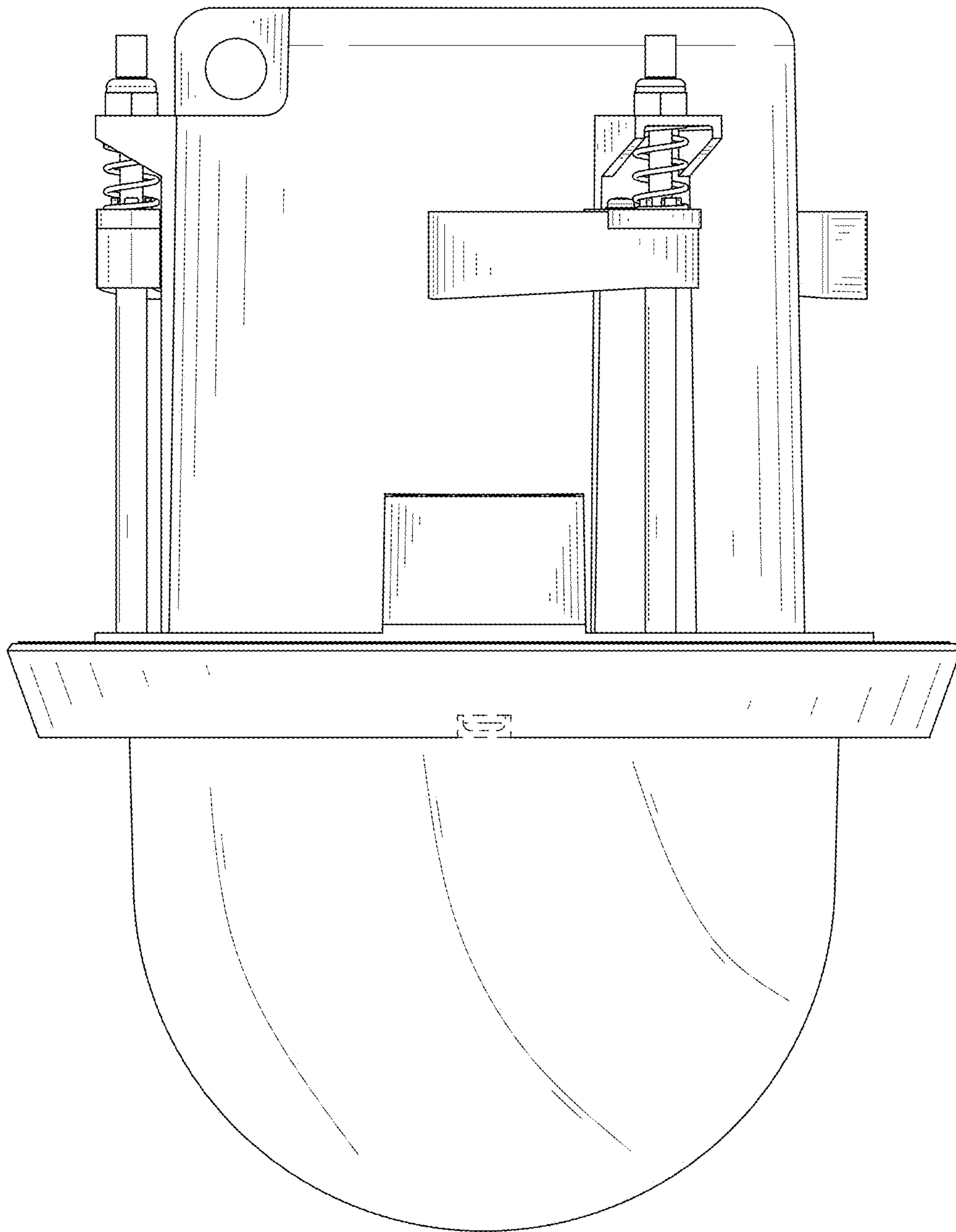


FIG. 9

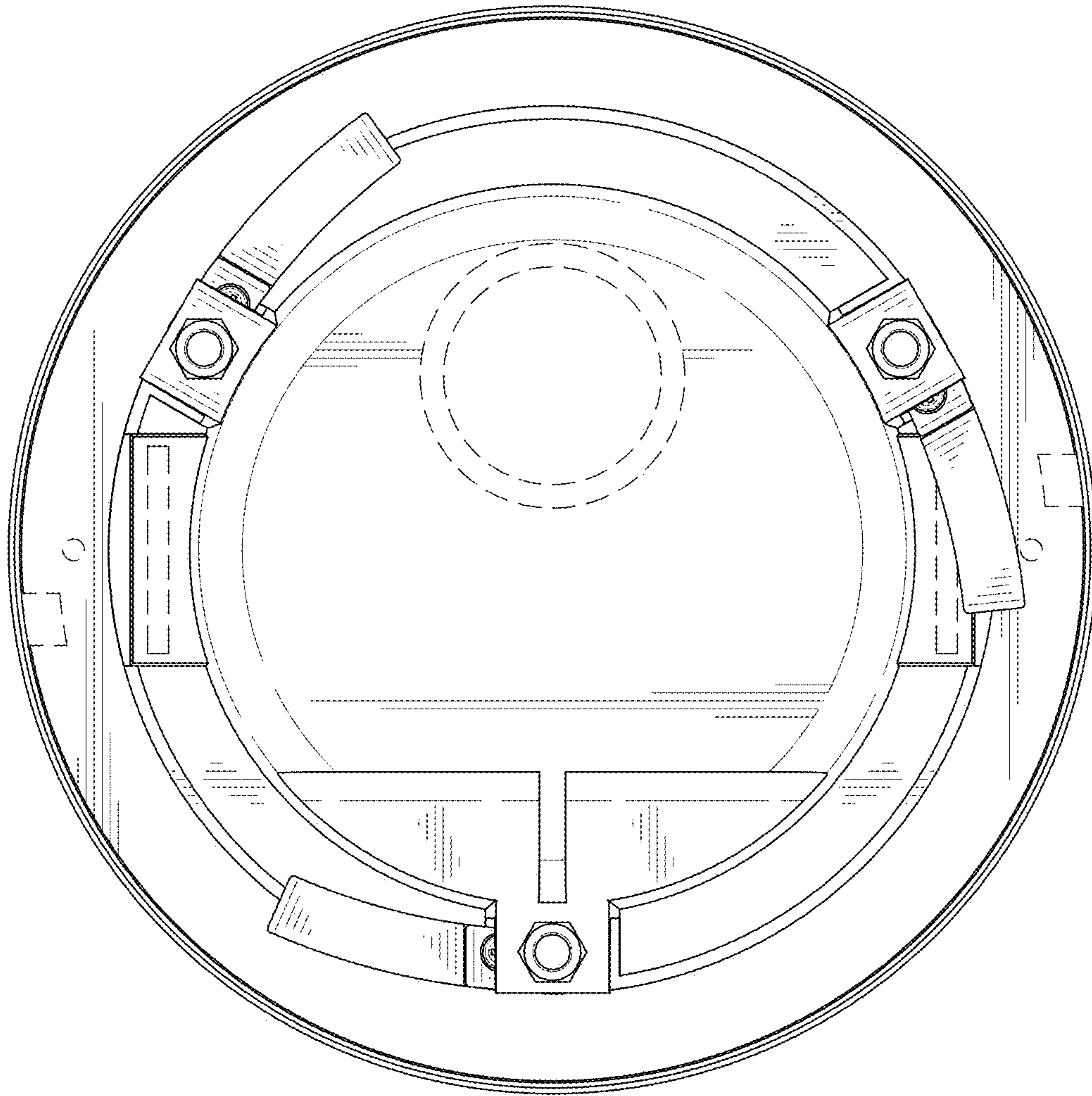


FIG. 10

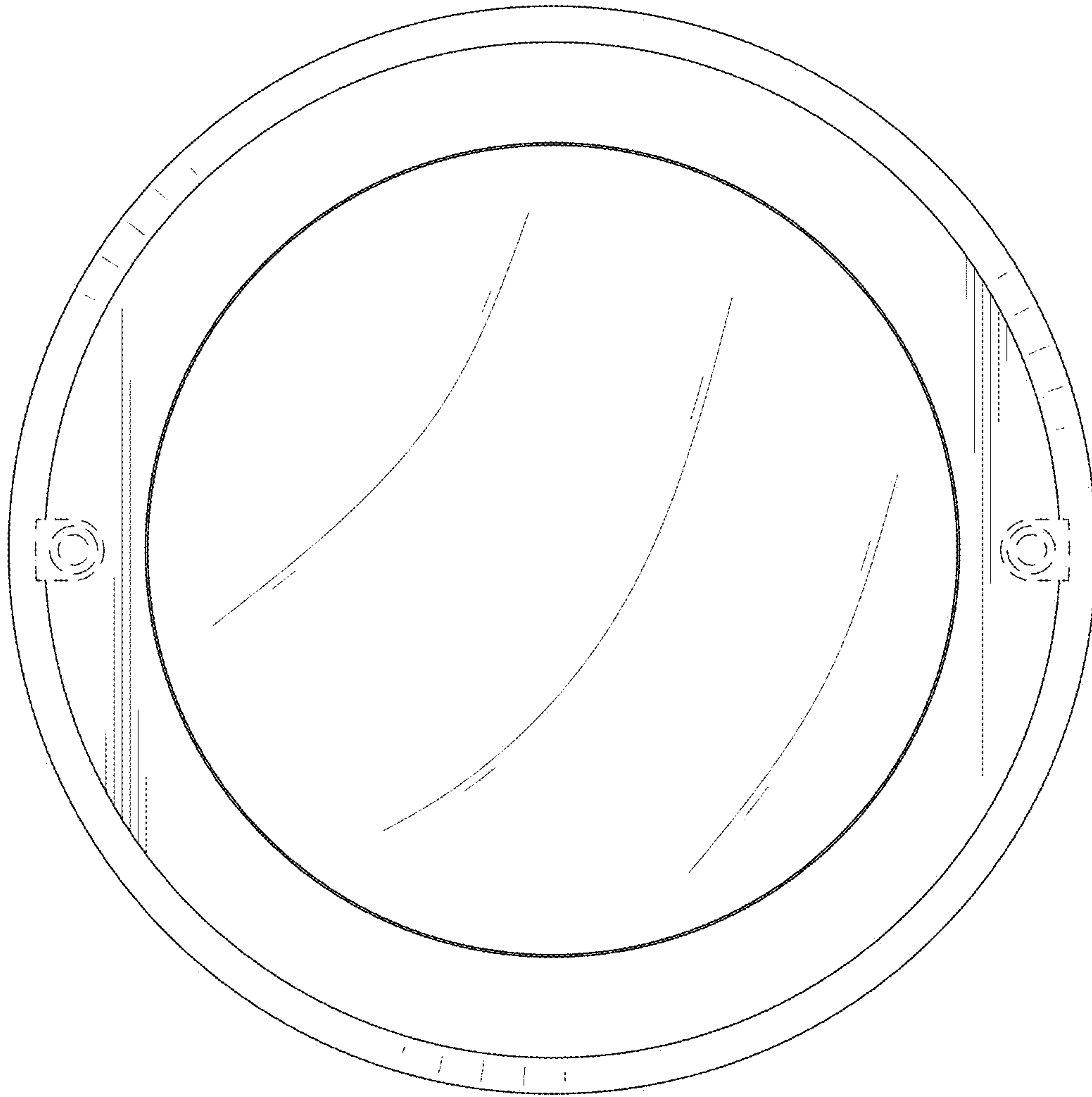


FIG. 11

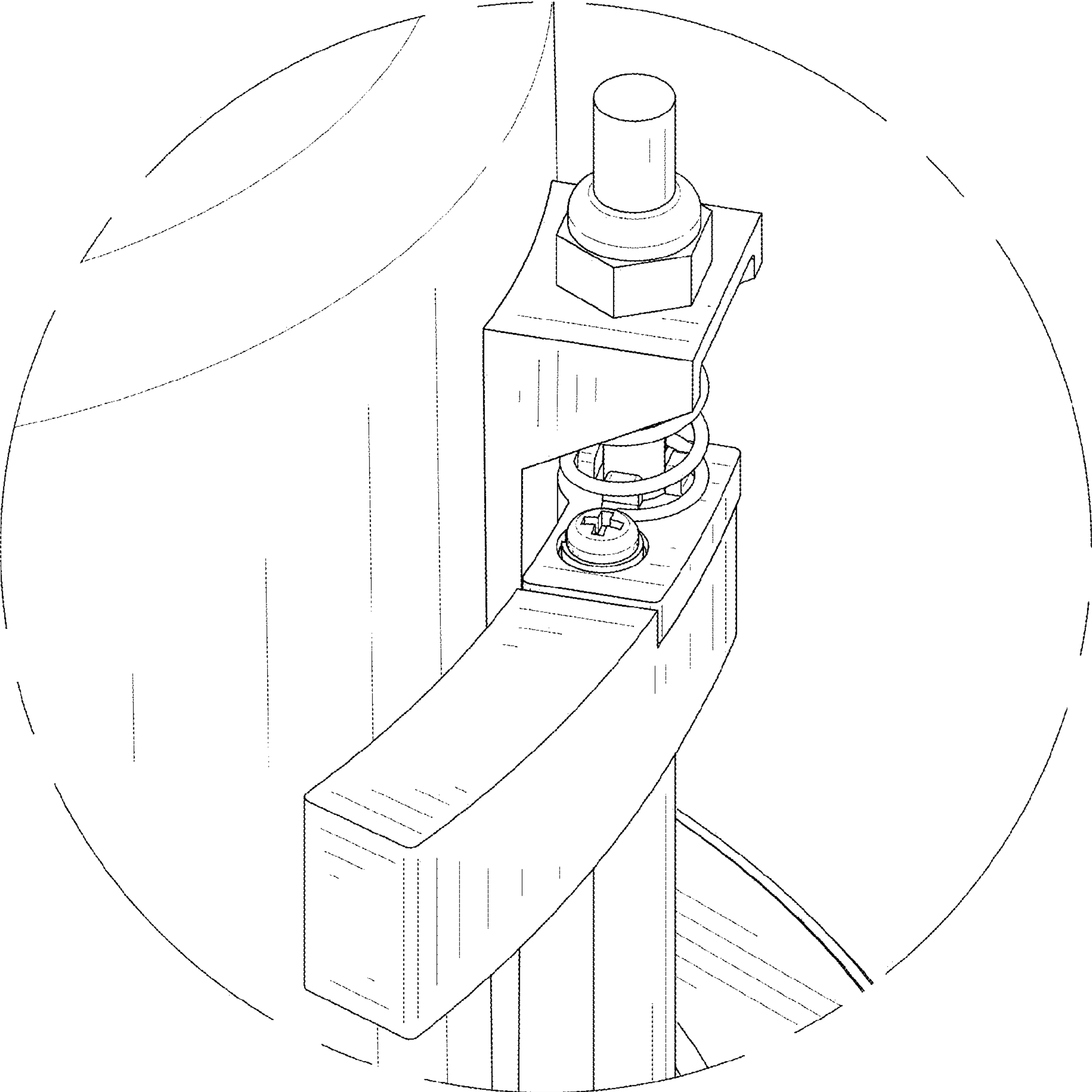


FIG. 12

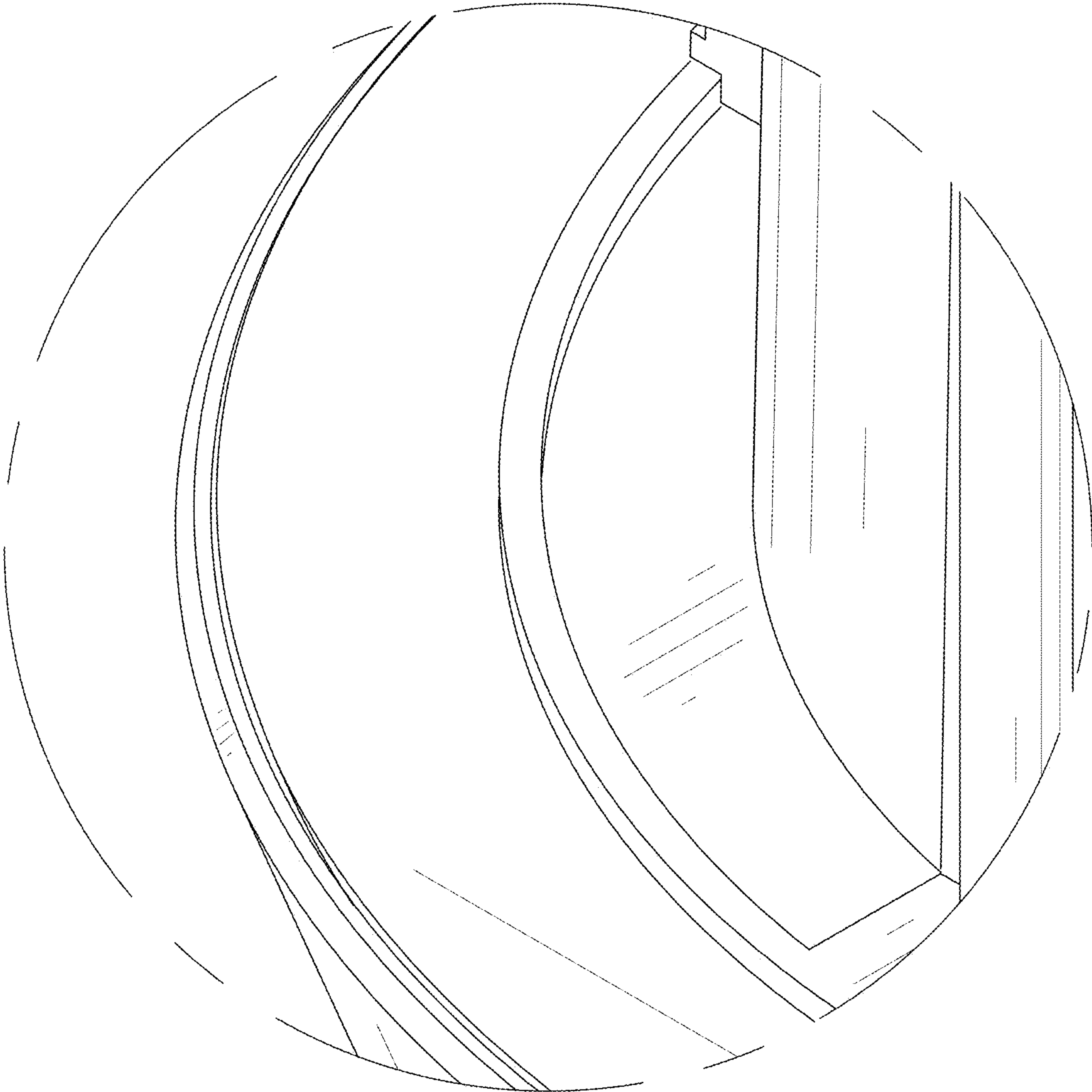


FIG. 13