



US00D891500S

(12) **United States Design Patent**  
**Tang et al.**

(10) **Patent No.:** **US D891,500 S**  
(45) **Date of Patent:** **\*\* Jul. 28, 2020**

(54) **CAMERA**

(71) Applicant: **VIVOTEK INC.**, New Taipei (TW)

(72) Inventors: **Wei-Kai Tang**, New Taipei (TW);  
**Szu-Hsing Cheng**, New Taipei (TW)

(73) Assignee: **VIVOTEK INC.**, New Taipei (TW)

(\*\*) Term: **15 Years**

(21) Appl. No.: **29/627,635**

(22) Filed: **Nov. 29, 2017**

(30) **Foreign Application Priority Data**

Jun. 2, 2017 (TW) ..... 106303002

(51) **LOC (12) Cl.** ..... **16-01**

(52) **U.S. Cl.**  
USPC ..... **D16/203**

(58) **Field of Classification Search**

USPC ..... D16/200, 202–206, 218, 219, 242;  
348/143, 148, 151, 373–376; 396/419,  
396/427, 535, 539–541

CPC ..... G03B 17/02; G03B 19/04; G03B 17/56;  
G03B 17/04; G03B 15/03; H04N 5/2251;  
H04N 5/2252; H04N 5/2253; H04N  
5/2254; H04N 7/181; H04N 7/183; H04N  
7/18; G08B 13/1963; G08B 13/19619;  
G08B 13/19632; F16M 11/04; F16M  
13/00

See application file for complete search history.

(56) **References Cited**

U.S. PATENT DOCUMENTS

D744,024 S *	11/2015	Oh	.....	D16/219
D747,509 S *	1/2016	Liang	.....	D26/24
D777,235 S *	1/2017	Jang	.....	D16/203
D784,963 S *	4/2017	Saule	.....	D14/228
D795,058 S *	8/2017	Buck	.....	D9/428
D803,926 S *	11/2017	Katori	.....	D16/219
D828,429 S *	9/2018	Moon	.....	D16/218
D832,276 S *	10/2018	Miles	.....	D14/451
D860,288 S *	9/2019	Ohashi	.....	D16/203
D865,032 S *	10/2019	Katori	.....	D16/219

\* cited by examiner

*Primary Examiner* — Ramzi S Almatrahi

(74) *Attorney, Agent, or Firm* — Winston Hsu

(57) **CLAIM**

The ornamental design for a camera, as shown and described.

**DESCRIPTION**

FIG. 1 is a perspective view of a camera showing our new design;

FIG. 2 is a front view thereof;

FIG. 3 is a rear view thereof;

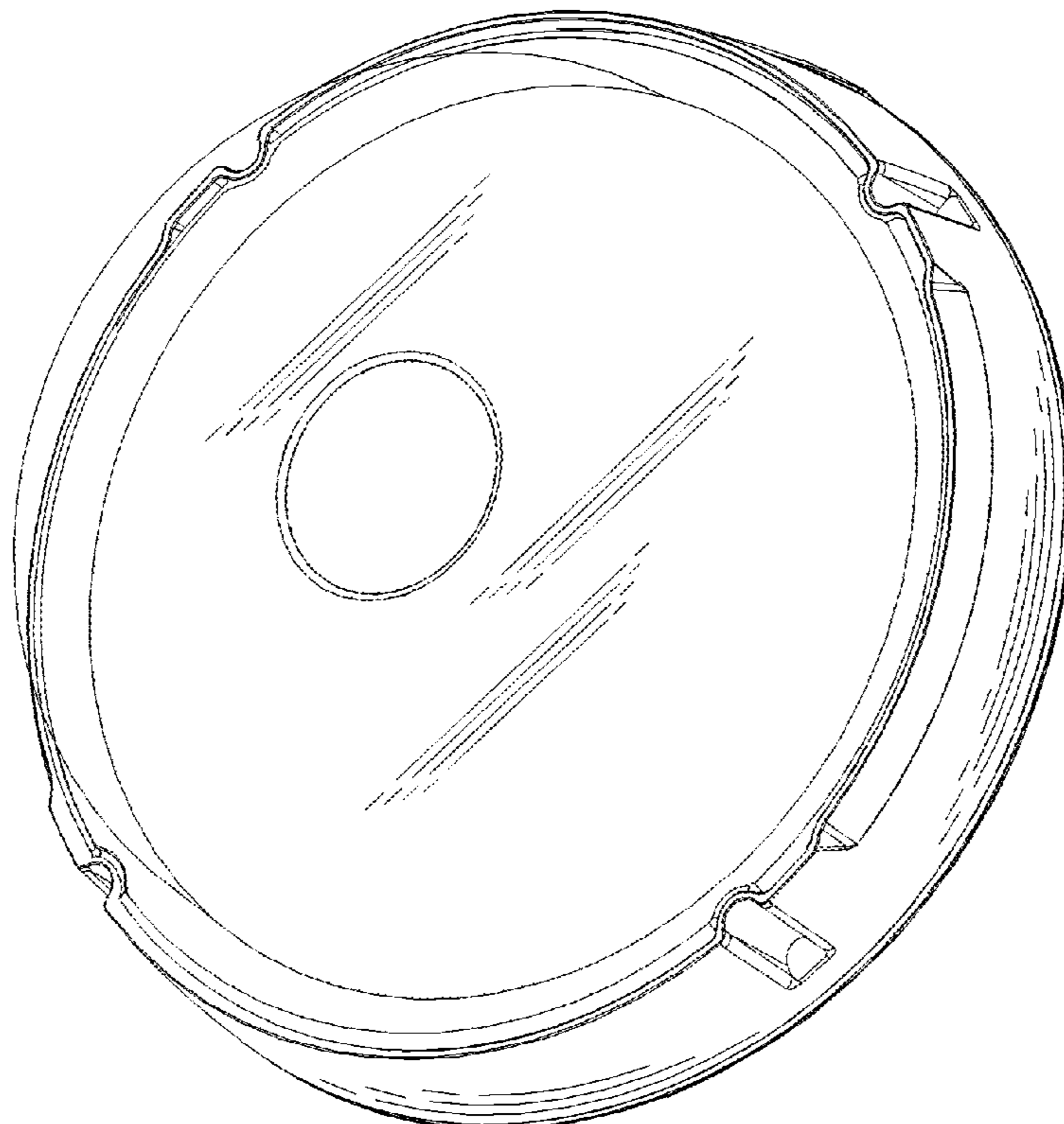
FIG. 4 is a left side view thereof;

FIG. 5 is a right side view thereof;

FIG. 6 is a top view thereof; and,

FIG. 7 is a bottom view thereof.

**1 Claim, 7 Drawing Sheets**



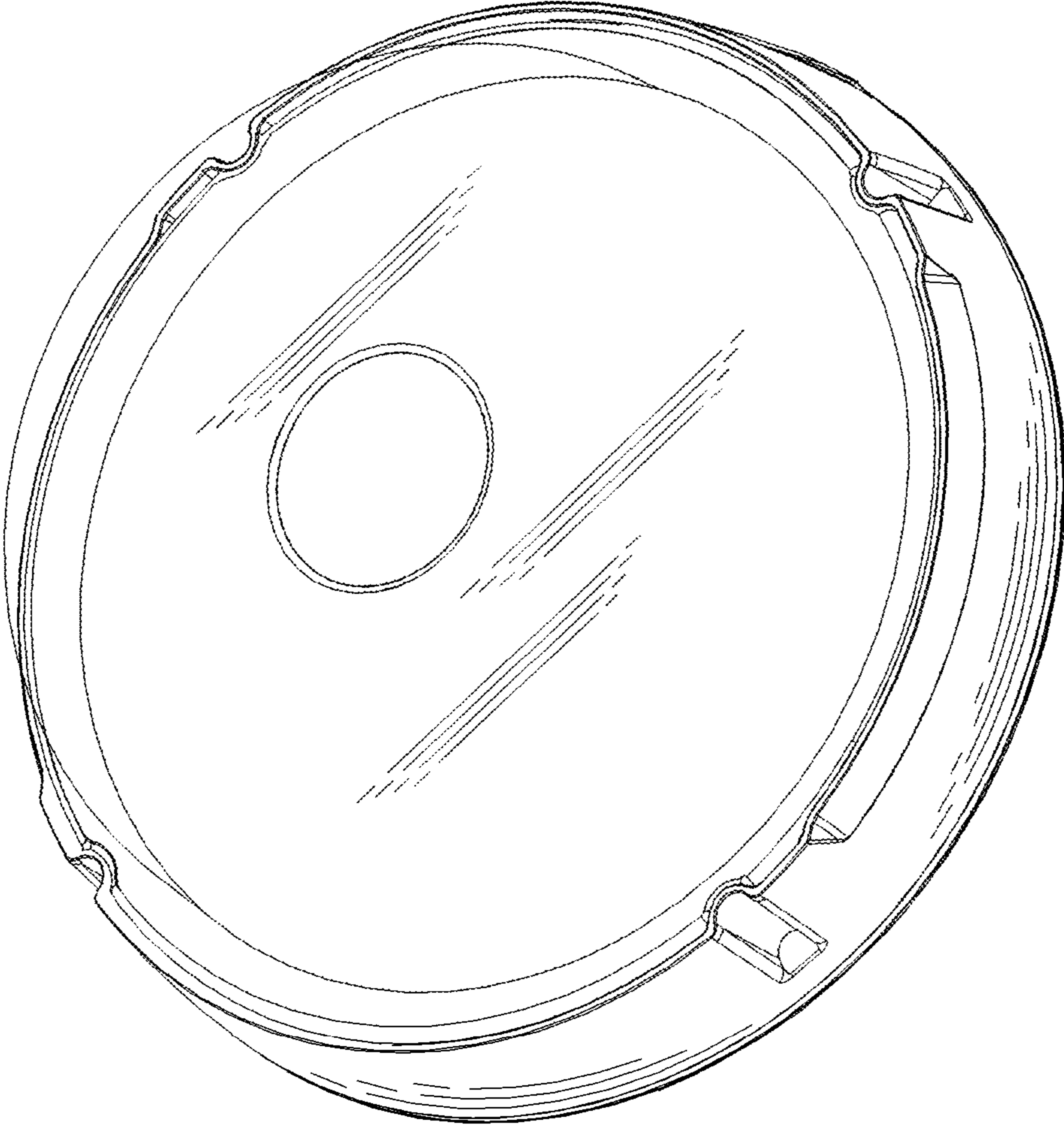


FIG. 1

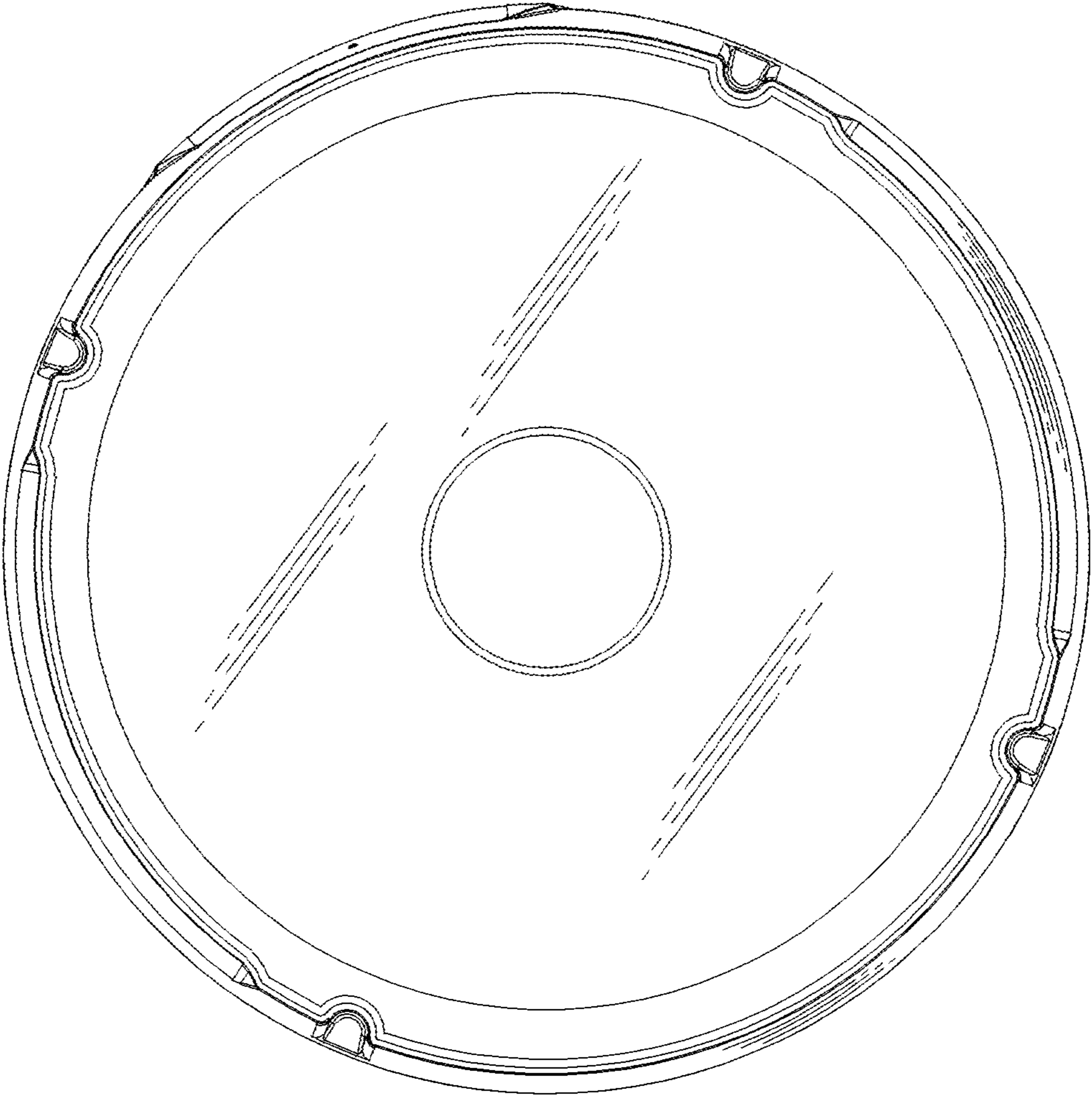


FIG. 2

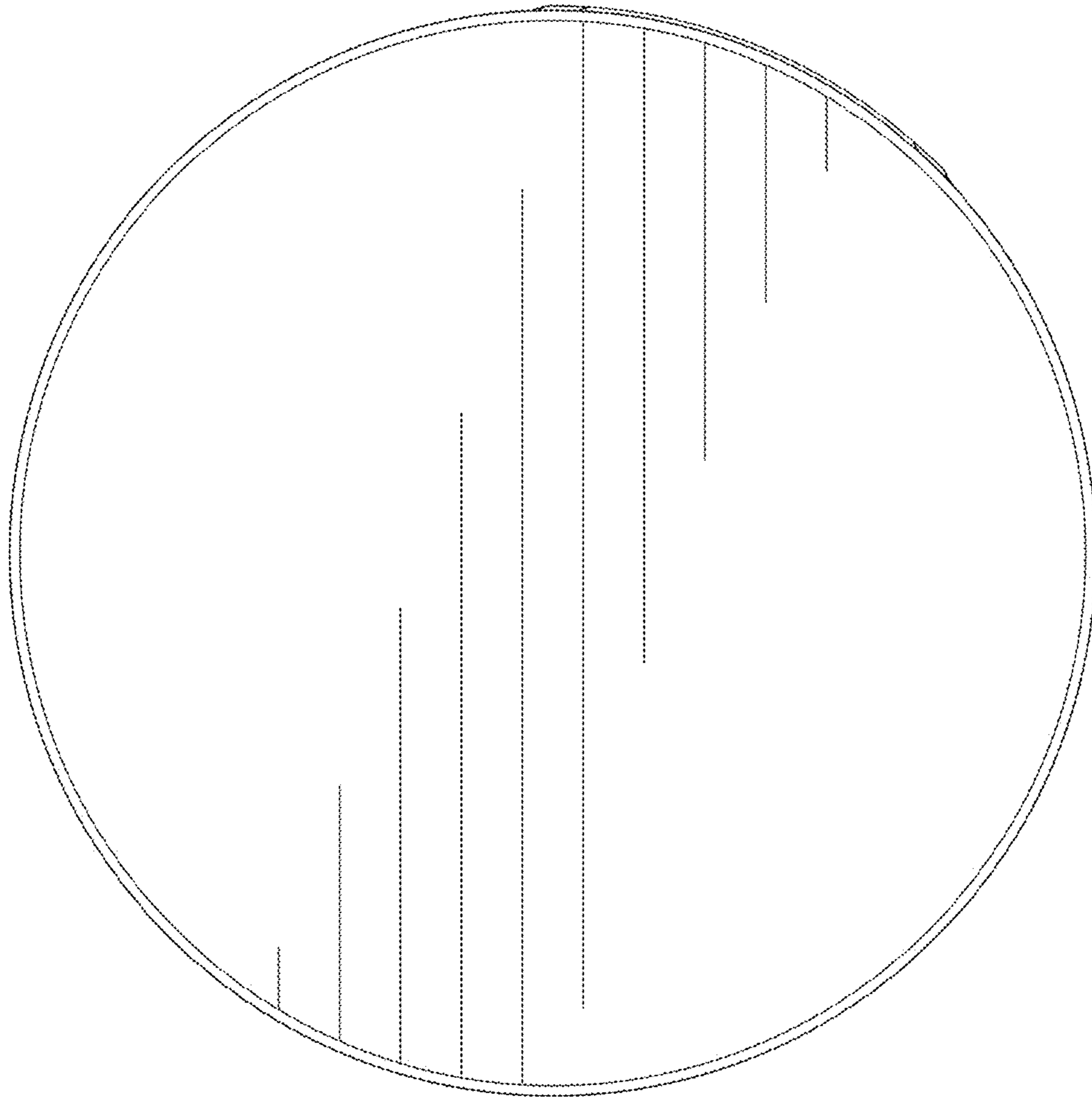


FIG. 3

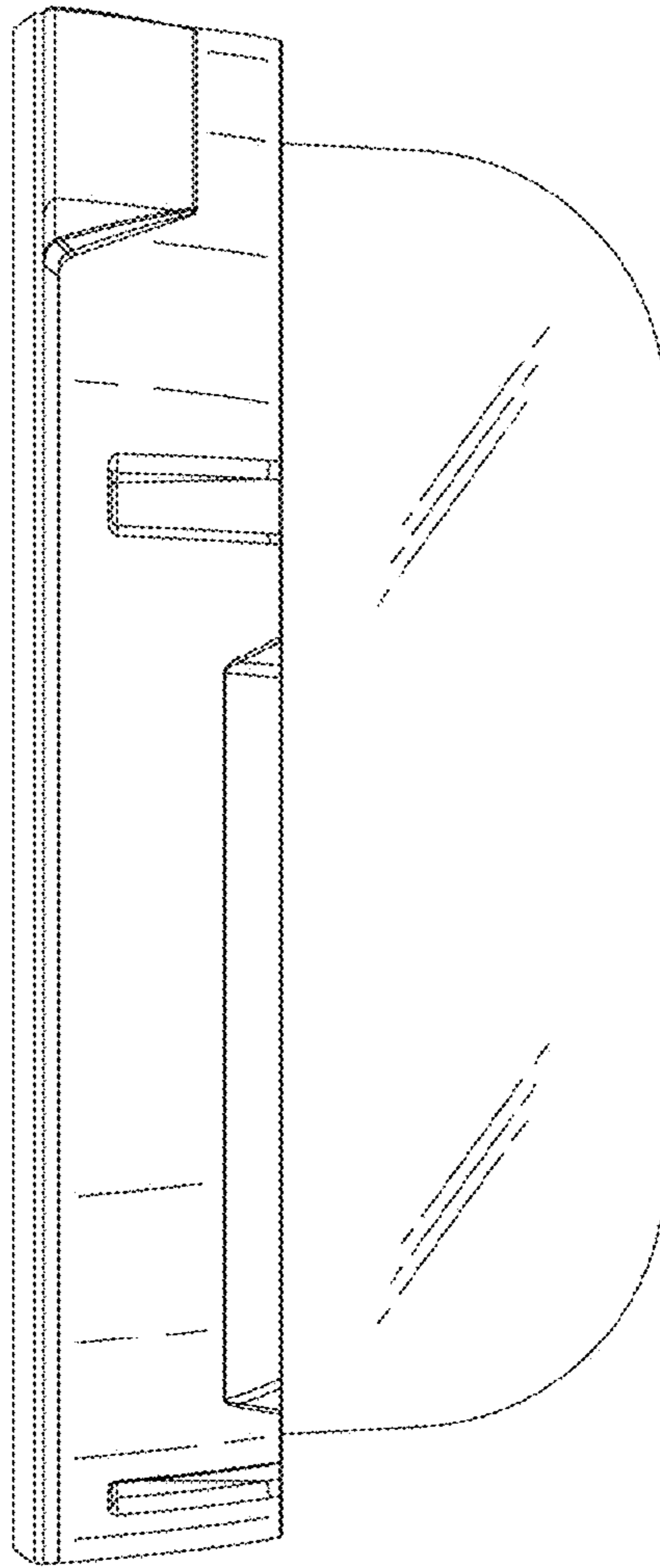


FIG. 4



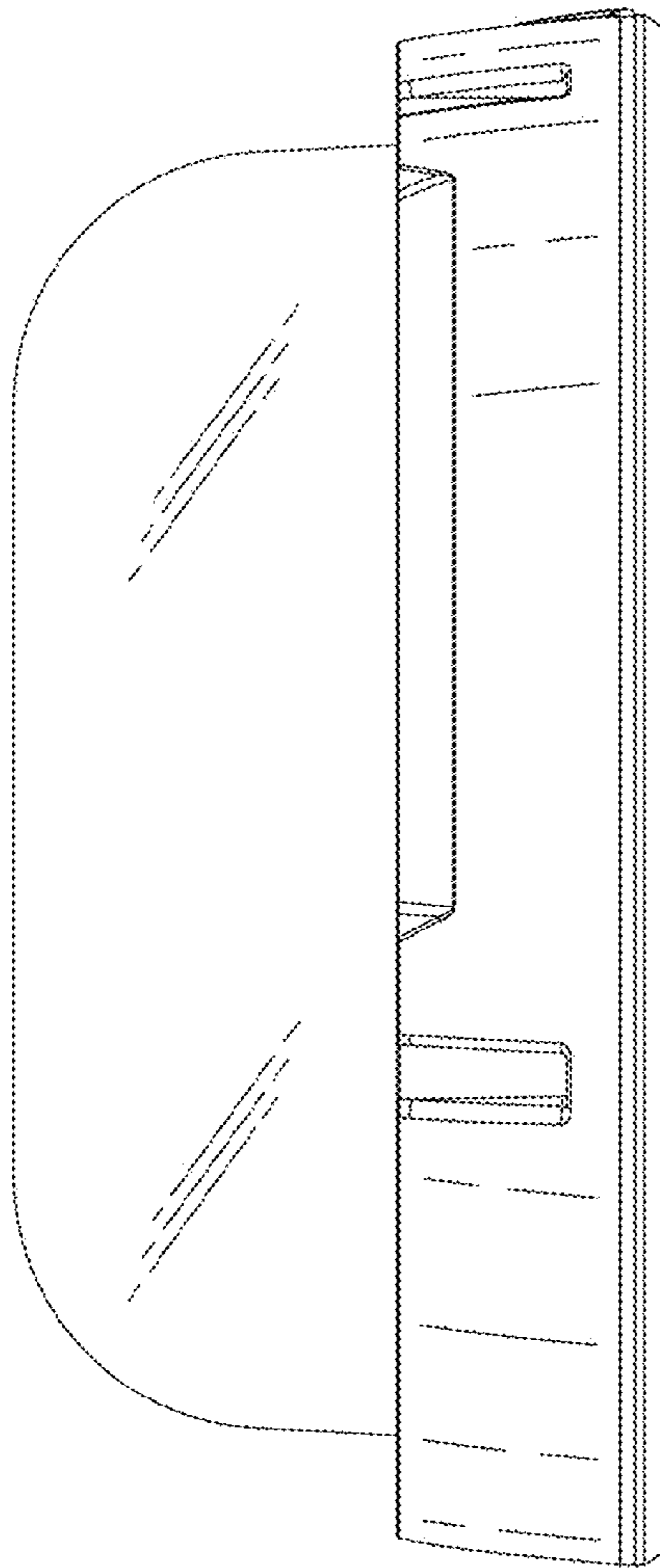


FIG. 5

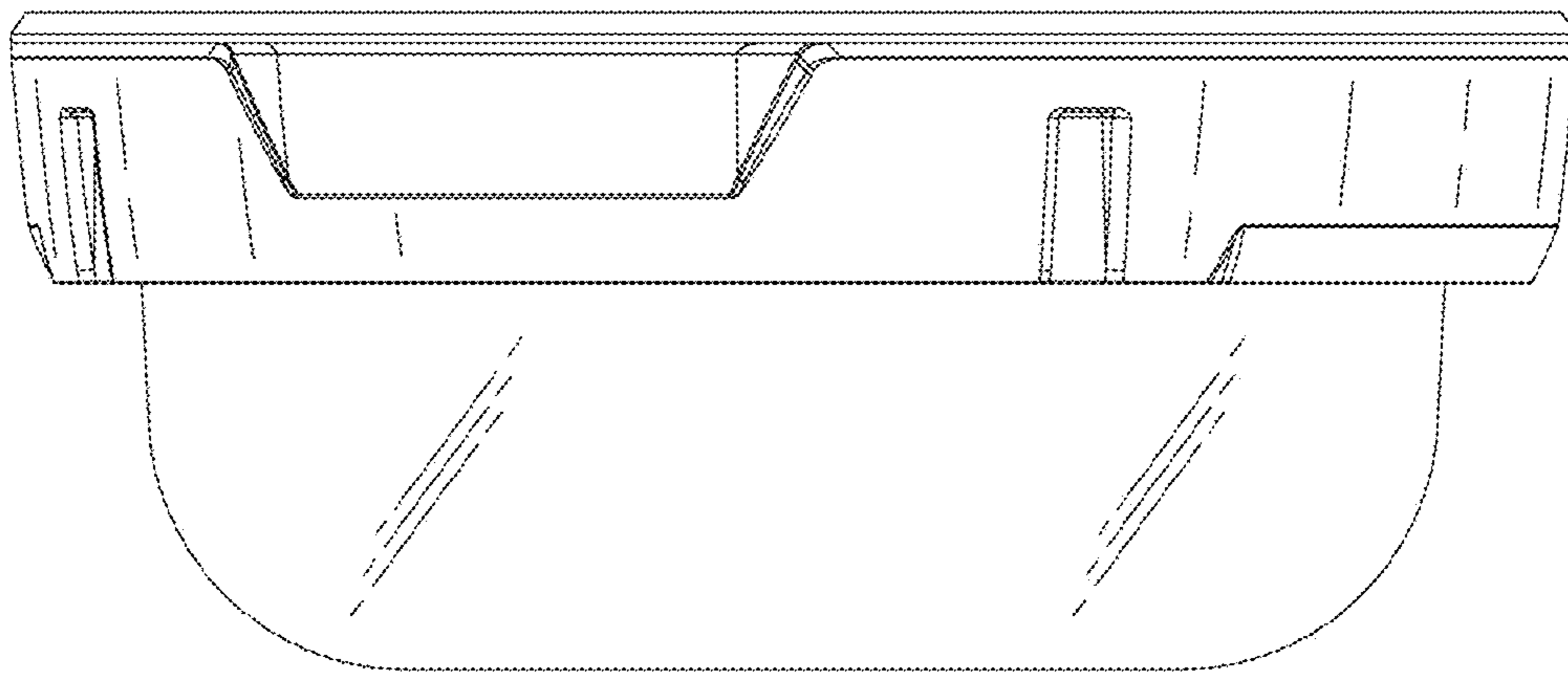


FIG. 6

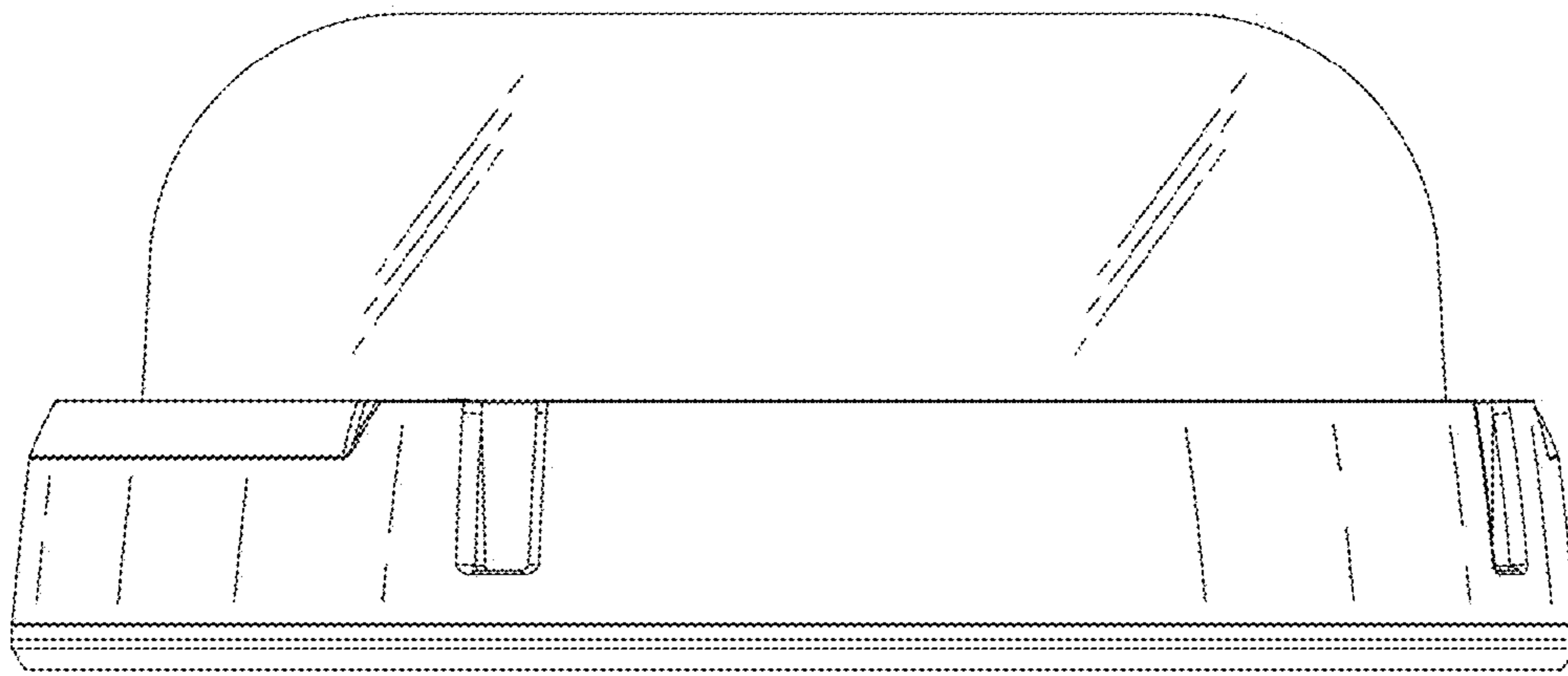


FIG. 7