



US00D891499S

(12) **United States Design Patent** (10) **Patent No.:** **US D891,499 S**  
**Fletcher et al.** (45) **Date of Patent:** **\*\* Jul. 28, 2020**

(54) **IMAGER DEVICE**

(71) Applicant: **Hand Held Products, Inc.**, Fort Mill, SC (US)

(72) Inventors: **Donna Marie Fletcher**, Auburn, NY (US); **Dwight Linwood Franz**, Haddonfield, NJ (US); **Anthony Raymond Charpentier**, Corronsac (FR)

(73) Assignee: **HAND HELD PRODUCTS, INC.**, Fort Mill, SC (US)

(\*\*) Term: **15 Years**

(21) Appl. No.: **29/715,961**

(22) Filed: **Dec. 5, 2019**

**Related U.S. Application Data**

(63) Continuation of application No. 29/599,600, filed on Apr. 5, 2017, now Pat. No. Des. 872,792.

(51) **LOC (12) Cl.** ..... **16-01**

(52) **U.S. Cl.**  
USPC ..... **D16/202; D10/70**

(58) **Field of Classification Search**

USPC ..... D10/61, 63, 65, 70, 71, 104.1, 106.7; D16/200, 202–203, 207, 208, 218, 219; D14/203.1, 204, 209.1, 496, 497; 348/14.01–14.6, 373–376; 396/427, 535, 396/539–541  
CPC ..... G03B 17/02; G03B 19/04; G03B 17/56; G03B 17/04; G03B 15/03; H04N 5/2251; H04N 5/2252; H04N 5/2253; H04N 5/2254; H04N 2101/00; H04N 2007/145; H04N 7/141; H04N 7/142; H04N 7/147; H04N 7/148; H04N 7/15; H04N 7/152

See application file for complete search history.

(56) **References Cited**

U.S. PATENT DOCUMENTS

D615,888 S \* 5/2010 Ikeda ..... D10/70  
D619,484 S \* 7/2010 Ikeda ..... D10/106.7  
D665,441 S \* 8/2012 McManigal ..... D16/202  
8,323,106 B2 \* 12/2012 Zalewski ..... G06F 3/0304  
463/31  
D685,015 S \* 6/2013 Wang ..... D16/202  
D693,711 S \* 11/2013 Jacobs ..... D10/106.6  
D709,117 S \* 7/2014 Gan ..... D16/202  
D711,949 S \* 8/2014 Koenck ..... D16/130

(Continued)

OTHER PUBLICATIONS

Non-Final Rejection dated Jul 26, 2018 for U.S. Appl. No. 29/599,600.  
(Continued)

*Primary Examiner* — Ramzi S Almatrahi

(74) *Attorney, Agent, or Firm* — Alston & Bird LLP

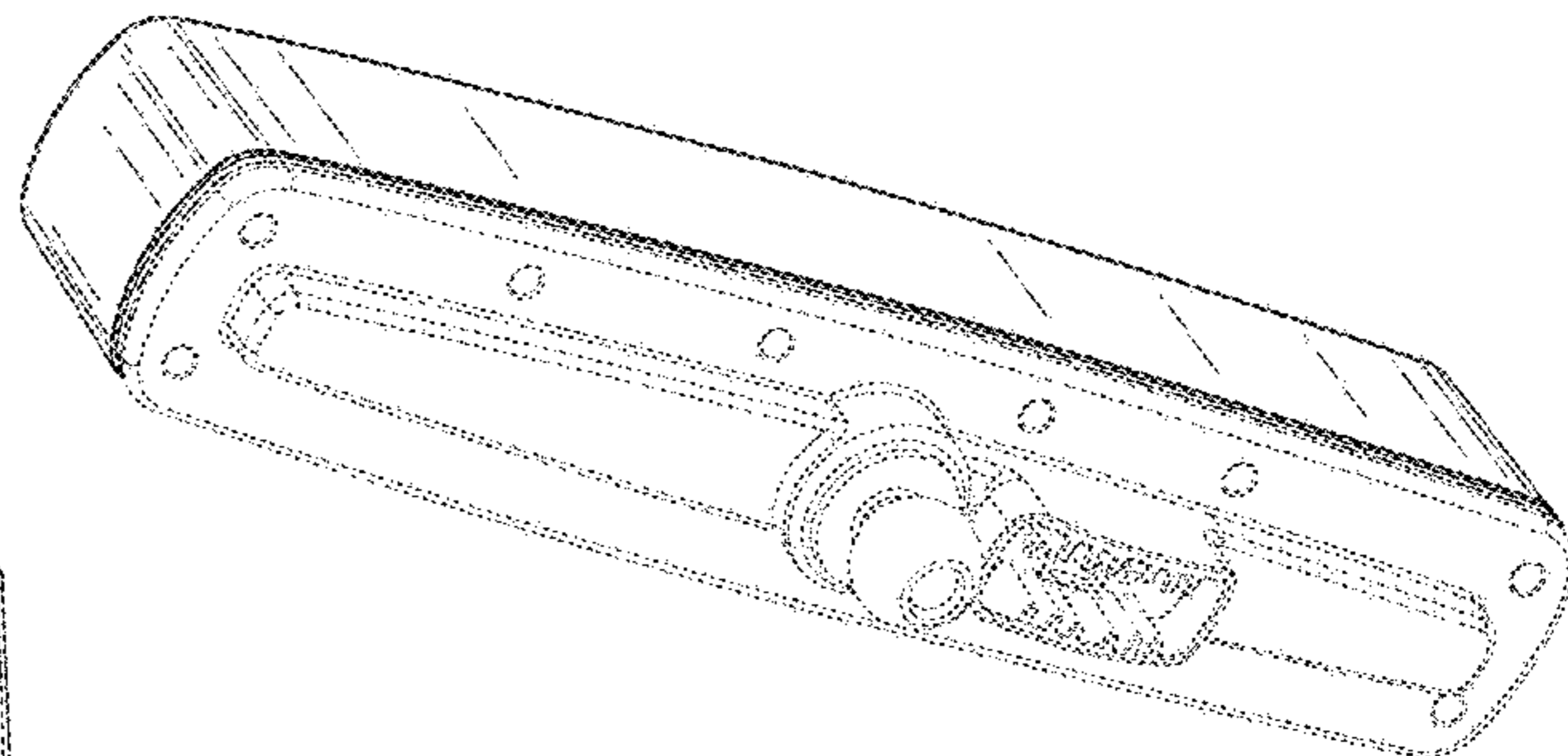
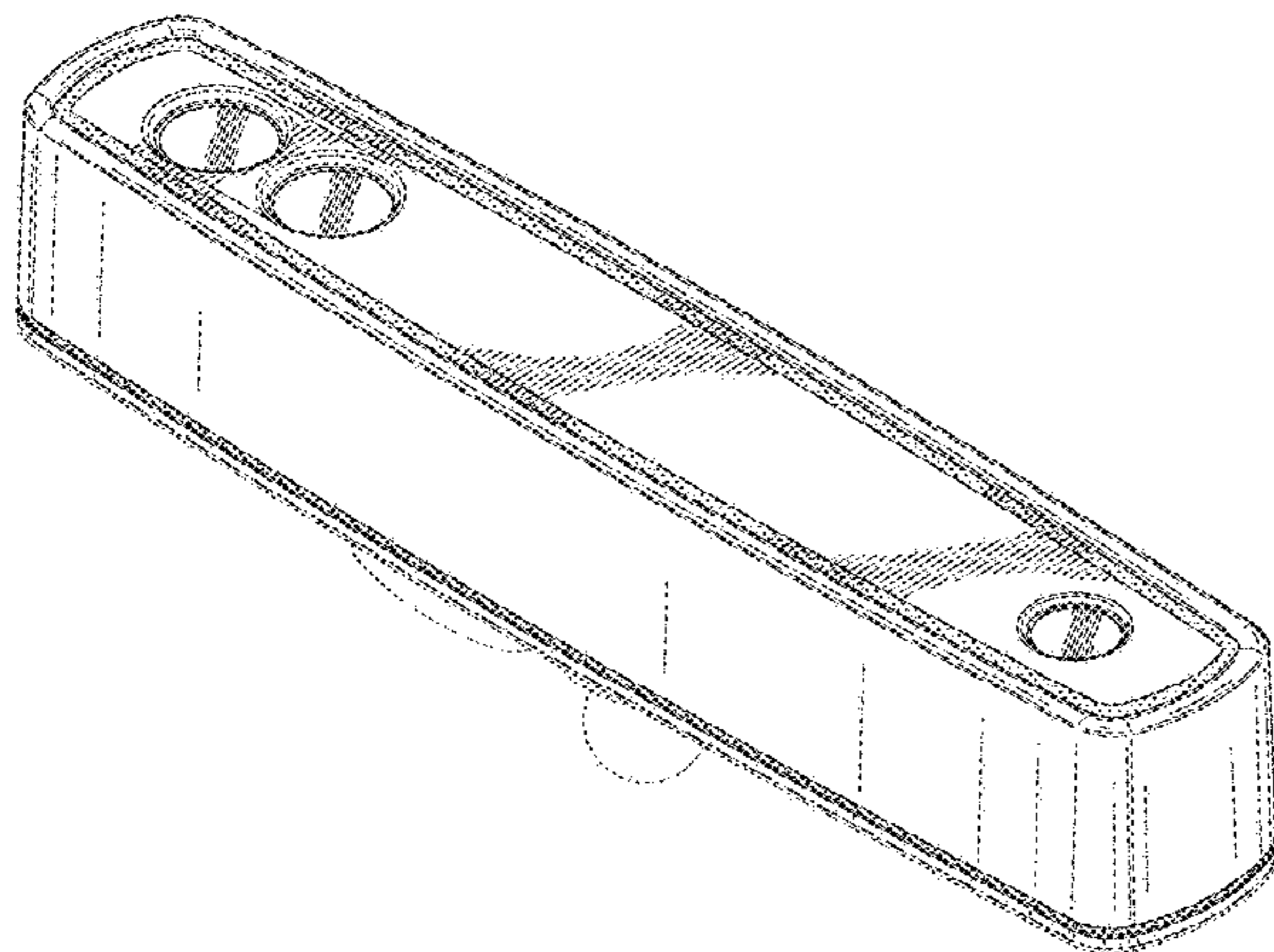
(57) **CLAIM**

The ornamental design for an imager device, as shown and described.

**DESCRIPTION**

FIG. 1 is a front perspective view of an imager device of the present invention;  
FIG. 2 is a rear perspective view thereof;  
FIG. 3 is a front elevation view thereof;  
FIG. 4 is a rear elevation view thereof;  
FIG. 5 is a top plan view thereof;  
FIG. 6 is a bottom plan view thereof;  
FIG. 7 is a left elevation view thereof; and,  
FIG. 8 is a right elevation view thereof.  
The broken lines depict portions of the imager device in which the design is embodied that form no part of the claimed design. The dash-dot-dash lines represent a boundary of the claim and form no part of the claimed design.

**1 Claim, 7 Drawing Sheets**



(56)

**References Cited**

U.S. PATENT DOCUMENTS

D712,952 S \* 9/2014 Sumii ..... D14/496  
D744,573 S \* 12/2015 Matsumiya ..... D16/218  
D800,201 S \* 10/2017 Song ..... D16/202  
D835,701 S \* 12/2018 Song ..... D16/219  
2006/0061655 A1\* 3/2006 Wang ..... B60R 11/04  
348/148

OTHER PUBLICATIONS

Non-Final Rejection dated Mar 1, 2019 for U.S. Appl. No. 29/599,600.  
Notice of Allowance and Fees Due (PTOL-85) dated Aug 29, 2019  
for U.S. Appl. No. 29/599,600.

\* cited by examiner

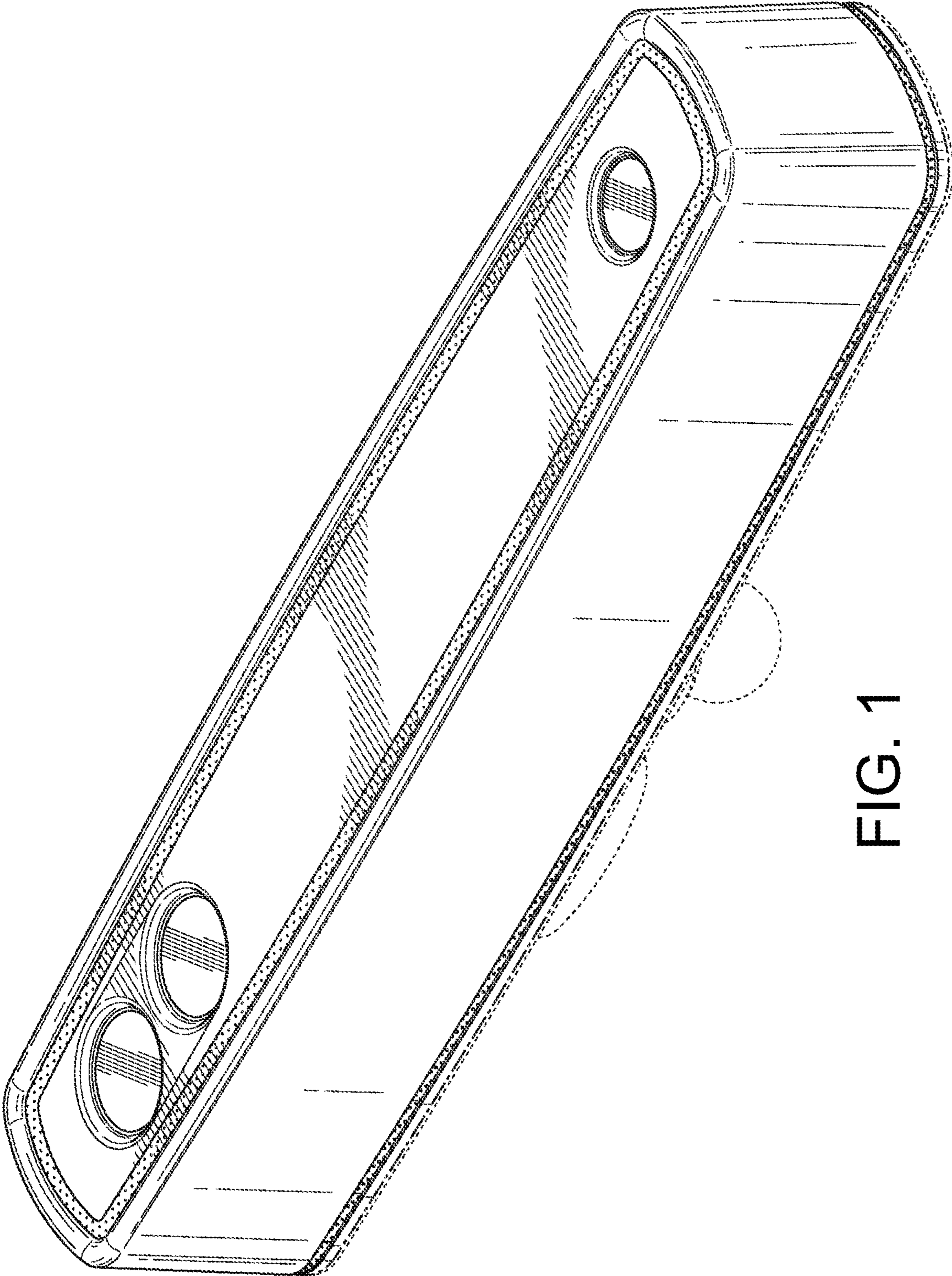


FIG. 1

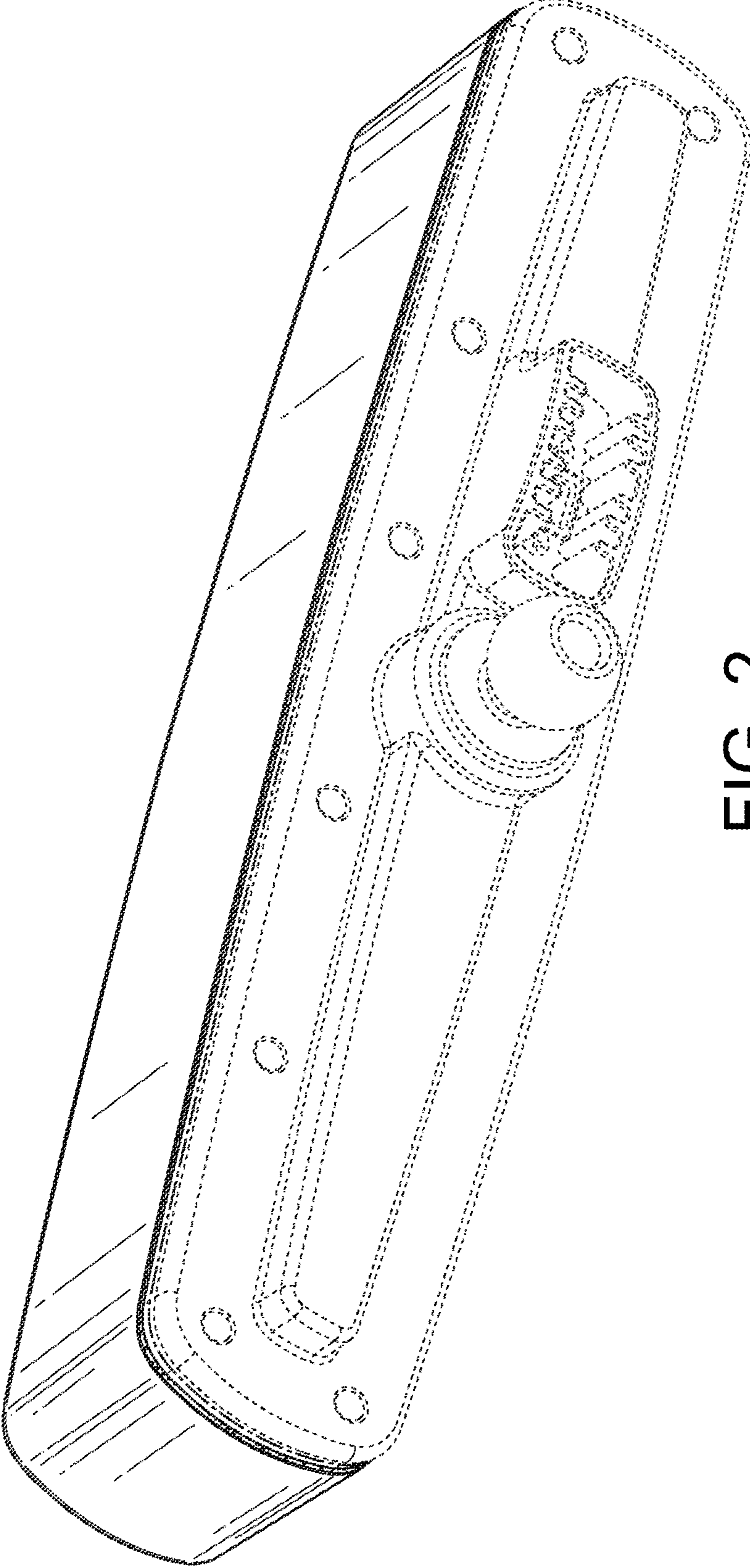


FIG. 2

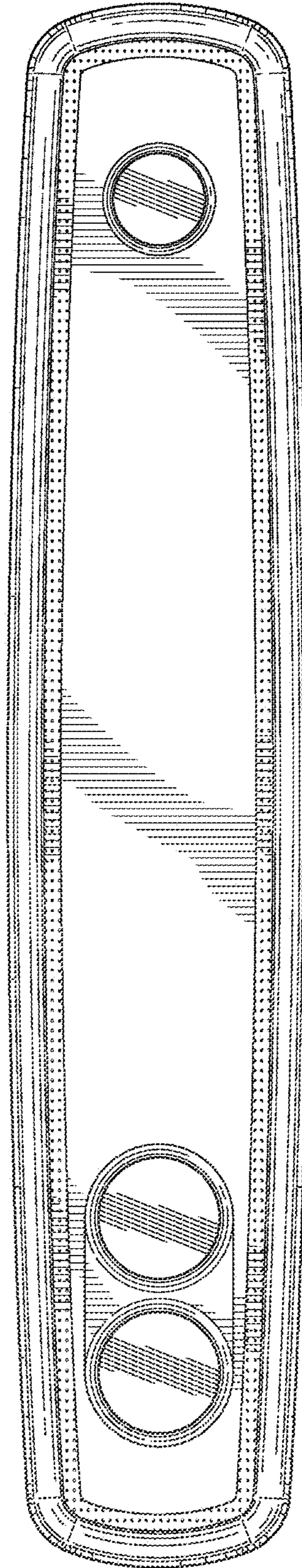


FIG. 3

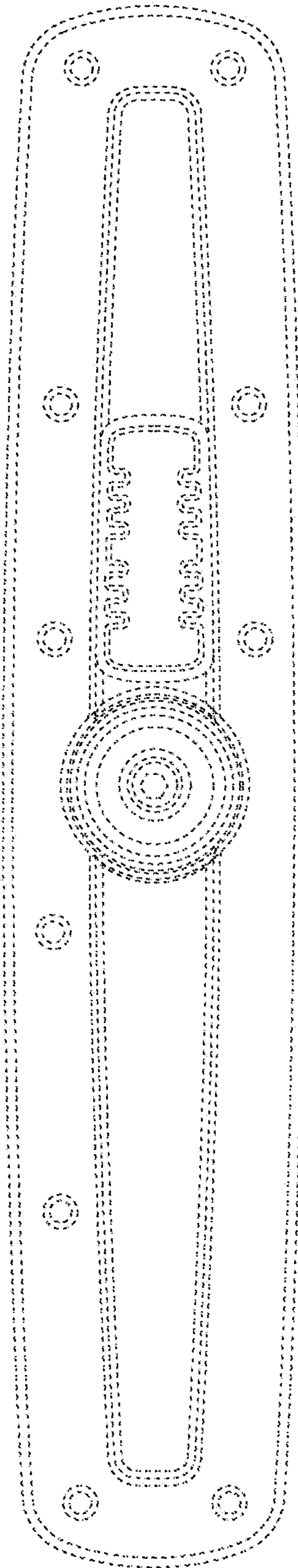


FIG. 4

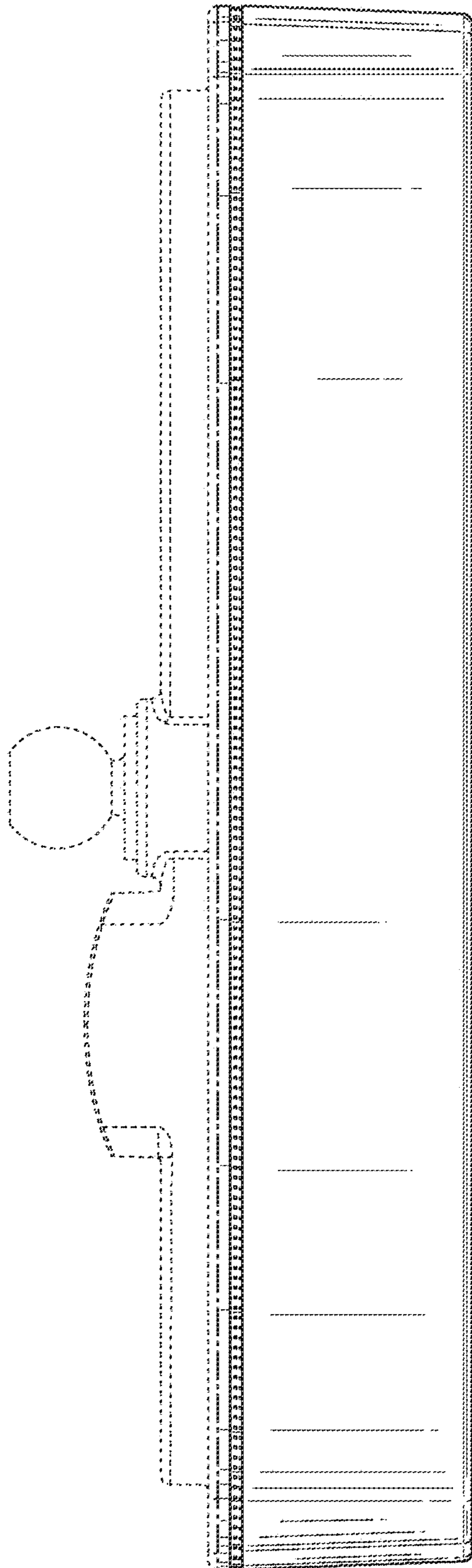


FIG. 5

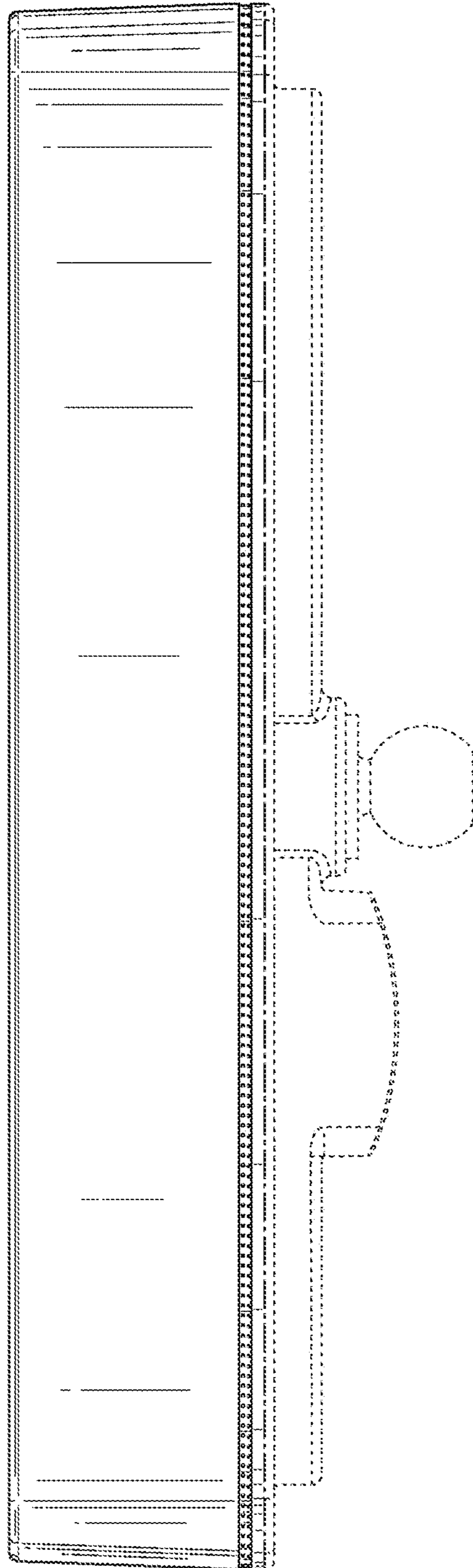


FIG. 6



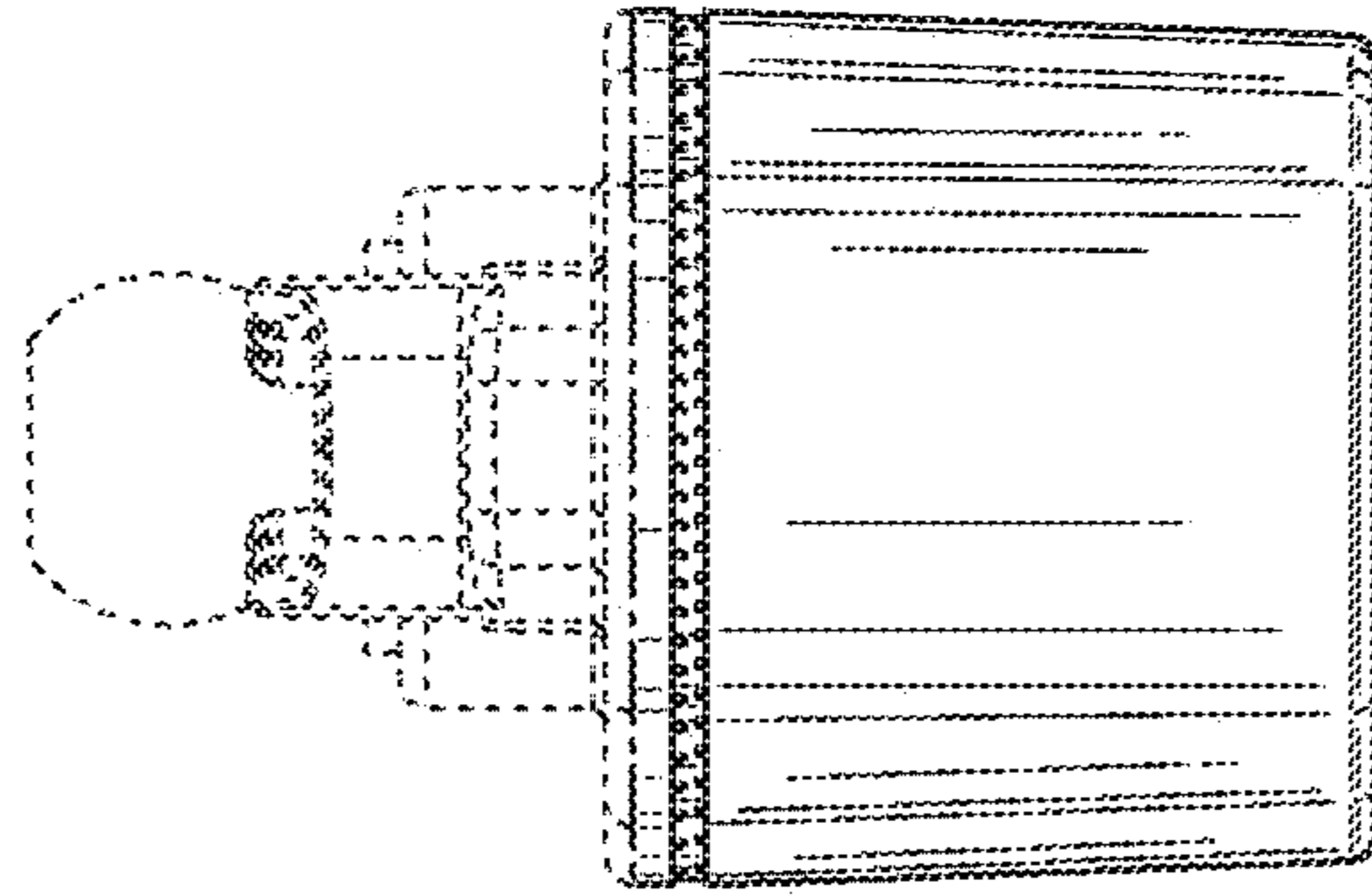


FIG. 7

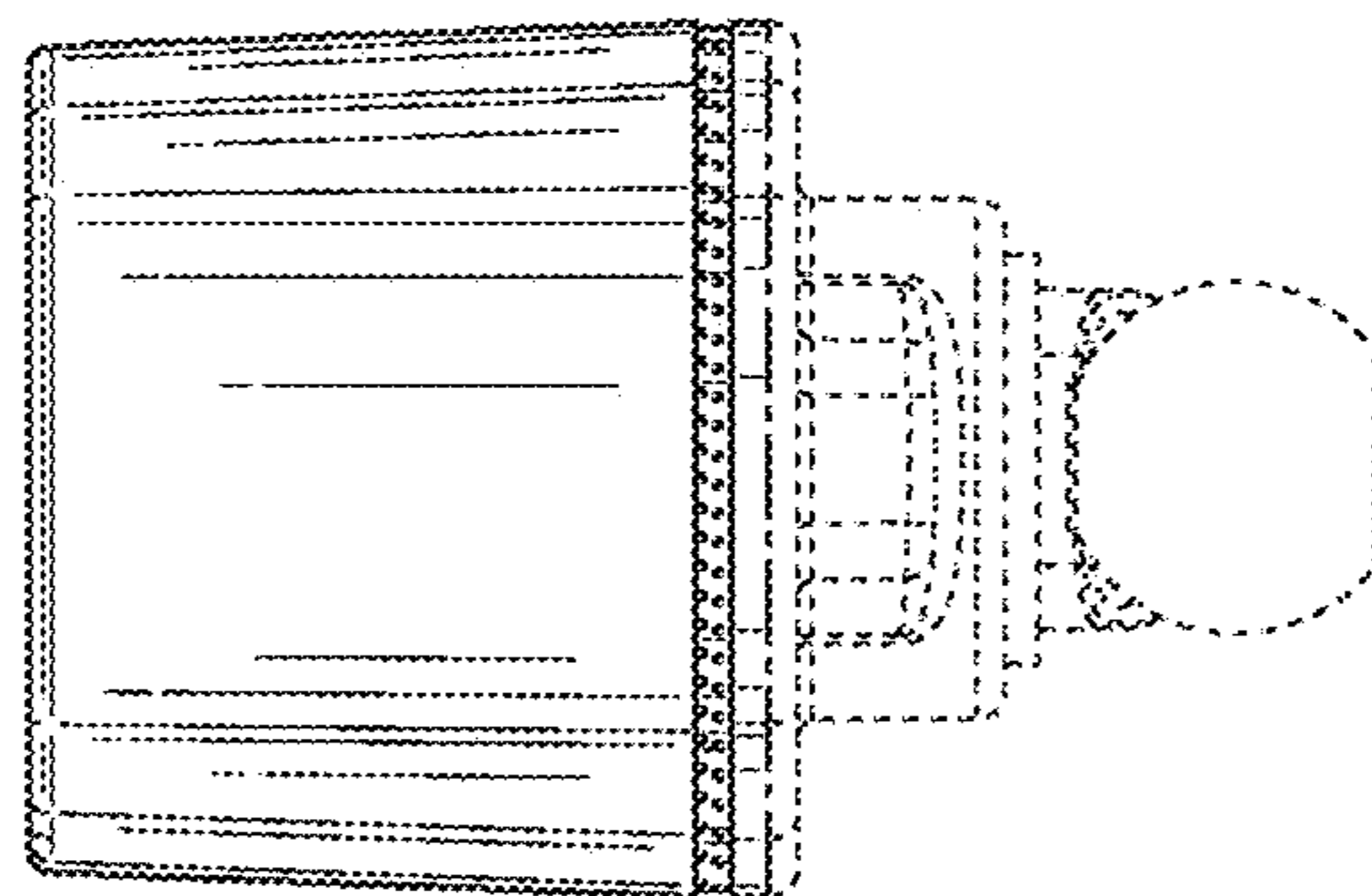


FIG. 8