



US00D891497S

(12) **United States Design Patent** (10) **Patent No.:** **US D891,497 S**
Kouthoofd et al. (45) **Date of Patent:** **** Jul. 28, 2020**

- (54) **ROBOT**
- (71) Applicant: **Teenage Engineering AB**, Johanneshov (SE)
- (72) Inventors: **Jesper Kouthoofd**, Stockholm (SE); **Cheng Lyu**, Johanneshov (SE); **Gustav Funck**, Johanneshov (SE)
- (73) Assignee: **TEENAGE ENGINEERING AB**, Johanneshov (SE)
- (**) Term: **15 Years**
- (21) Appl. No.: **29/730,216**
- (22) Filed: **Apr. 2, 2020**

D308,213 S	5/1990	Jones et al.	
5,413,454 A	5/1995	Movsesian	
D452,517 S	12/2001	Kawaguchi	
D711,061 S	8/2014	Chen	
D782,553 S	3/2017	Goto et al.	
D792,917 S	7/2017	Fischer	
9,854,203 B2	12/2017	Benetti et al.	
D819,103 S	5/2018	Kapuria et al.	
D819,711 S	6/2018	Li et al.	
D822,736 S	7/2018	Kato et al.	
D822,739 S	7/2018	Kato et al.	
D829,250 S	9/2018	Zilbershtein et al.	
D855,674 S *	8/2019	Lyu	D15/199
D865,828 S *	11/2019	Bogart	D15/199
D873,878 S *	1/2020	Vazquez	D15/199
D874,530 S *	2/2020	Haddadin	D15/199
D882,655 S *	4/2020	Kouthoofd	D15/199
2007/0080000 A1	4/2007	Tobey et al.	
2013/0104676 A1	5/2013	Yang et al.	
2015/0285721 A1	10/2015	Watanabe et al.	

(Continued)

Related U.S. Application Data

- (63) Continuation of application No. 29/646,945, filed on May 8, 2018, now Pat. No. Des. 882,655.

Foreign Application Priority Data

- (30) Nov. 9, 2017 (EM) 004500882

- (51) **LOC (12) Cl.** **15-99**

- (52) **U.S. Cl.**
USPC **D15/199**

- (58) **Field of Classification Search**
USPC D15/199; D21/578-583, 621, 622;
D32/21
CPC B25J 9/044; B25J 9/102; G06F 3/0485;
Y10T 74/20305
See application file for complete search history.

References Cited

U.S. PATENT DOCUMENTS

- 4,273,506 A 6/1981 Thomson et al.
- D293,449 S 12/1987 Kaufmann et al.

Primary Examiner — Patricia A Palasik
(74) *Attorney, Agent, or Firm* — RMCK Law Group, PLC

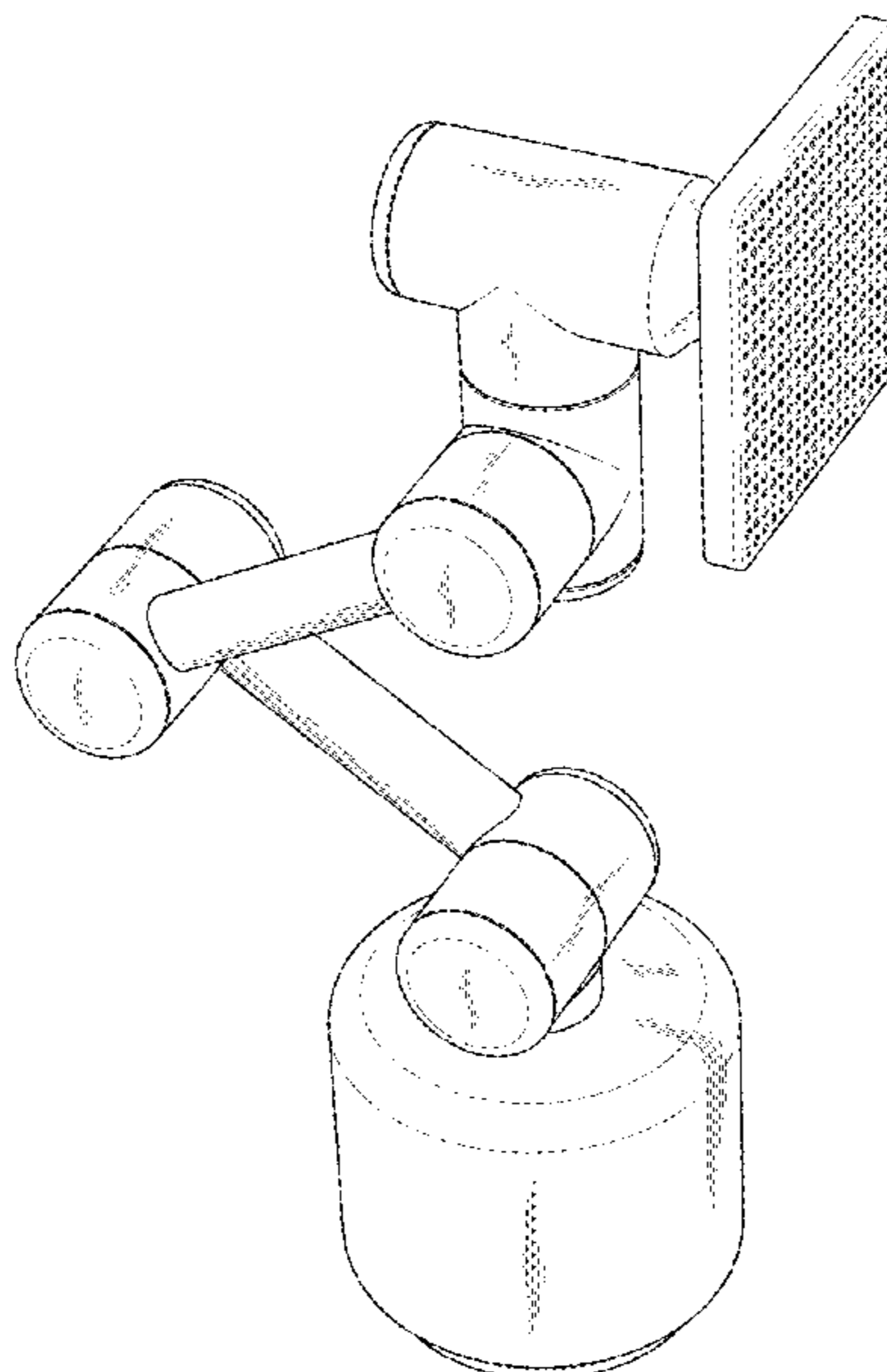
(57) **CLAIM**

The ornamental design for a robot, as shown and described.

DESCRIPTION

FIG. 1 is a perspective view of a robot showing our new design;
FIG. 2 is a first side view of the robot of FIG. 1;
FIG. 3 is a second side view of the robot of FIG. 1;
FIG. 4 is a front view of the robot of FIG. 1;
FIG. 5 is a rear view of the robot of FIG. 1;
FIG. 6 is a bottom view of the robot of FIG. 1; and,
FIG. 7 is a top view of the robot of FIG. 1.
The broken line showing of the robot is included for the purpose of illustrating portions of the robot and forms no part of the claimed design.

1 Claim, 7 Drawing Sheets



(56)

References Cited

U.S. PATENT DOCUMENTS

2016/0229058 A1 8/2016 Pinter et al.
2017/0080577 A1 3/2017 Motoyoshi

* cited by examiner

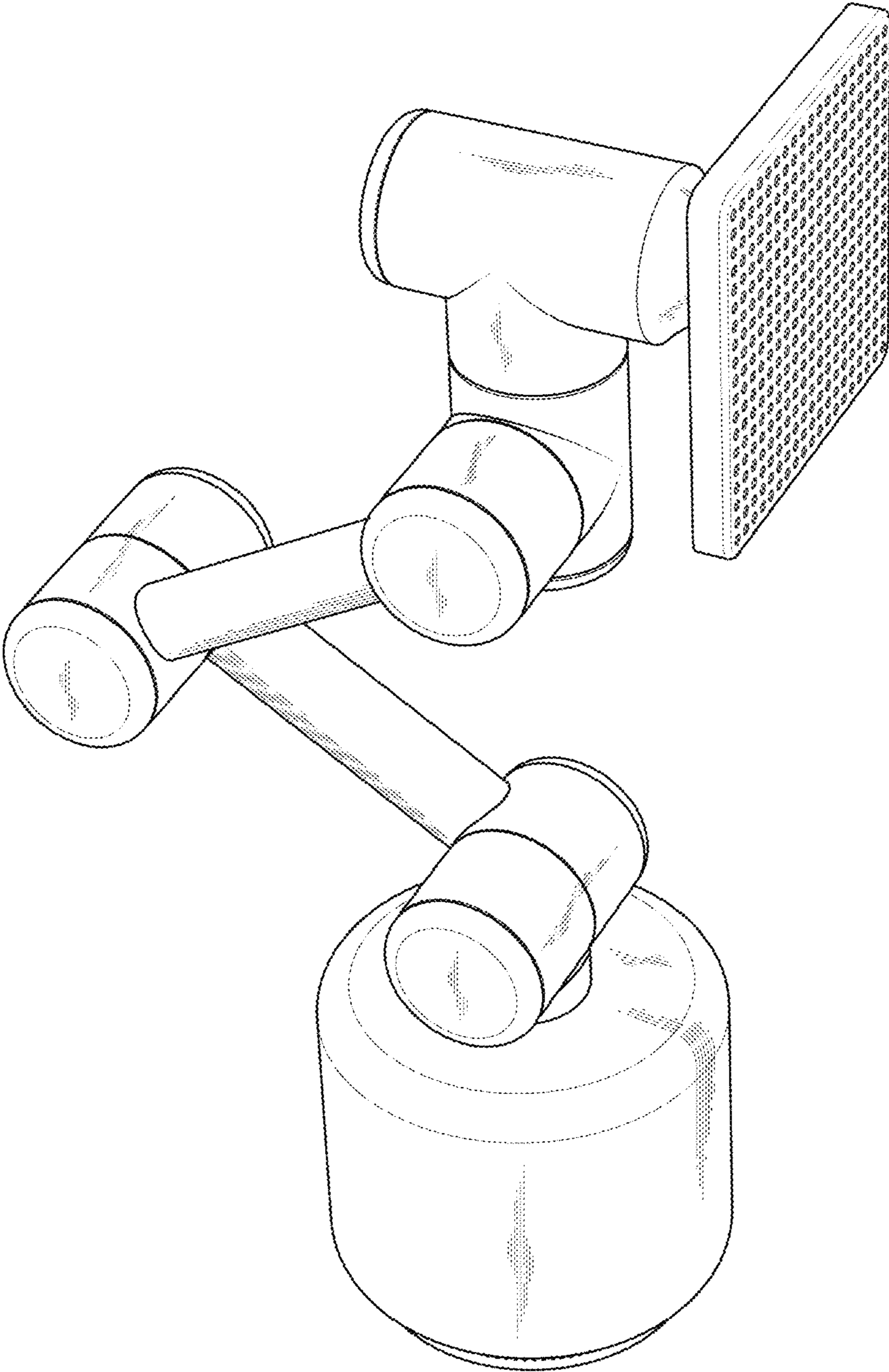


FIG. 1

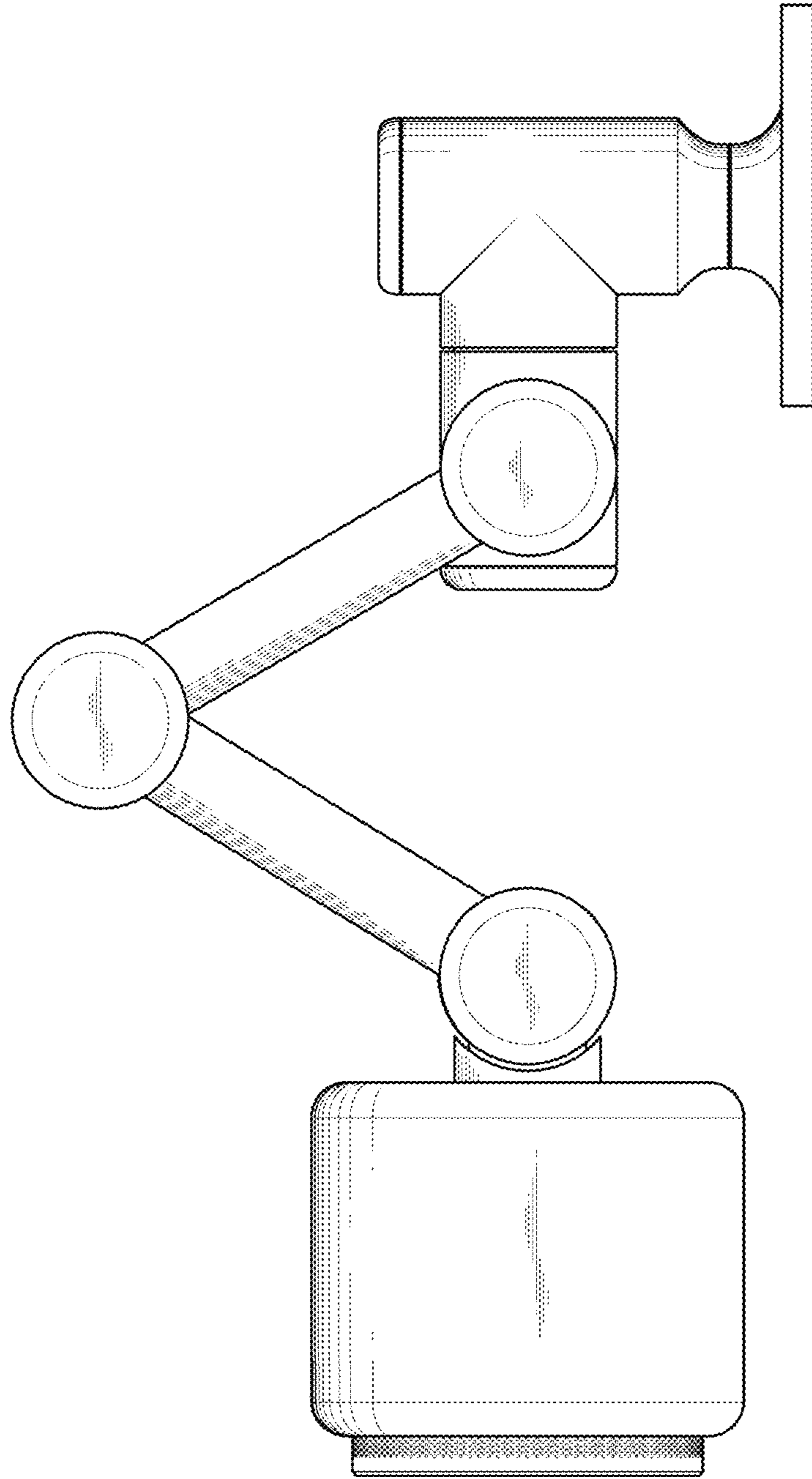


FIG. 2

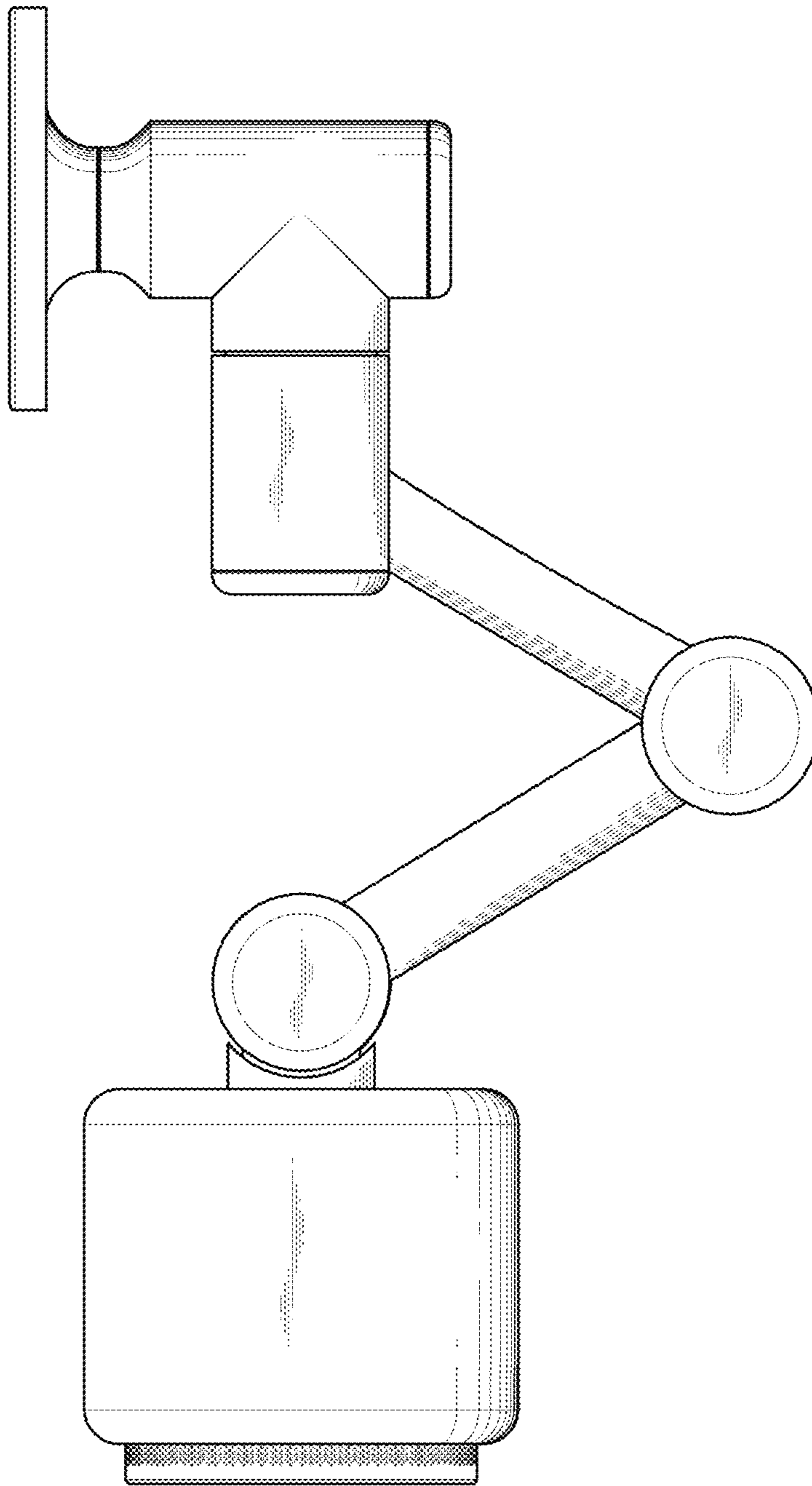


FIG. 3

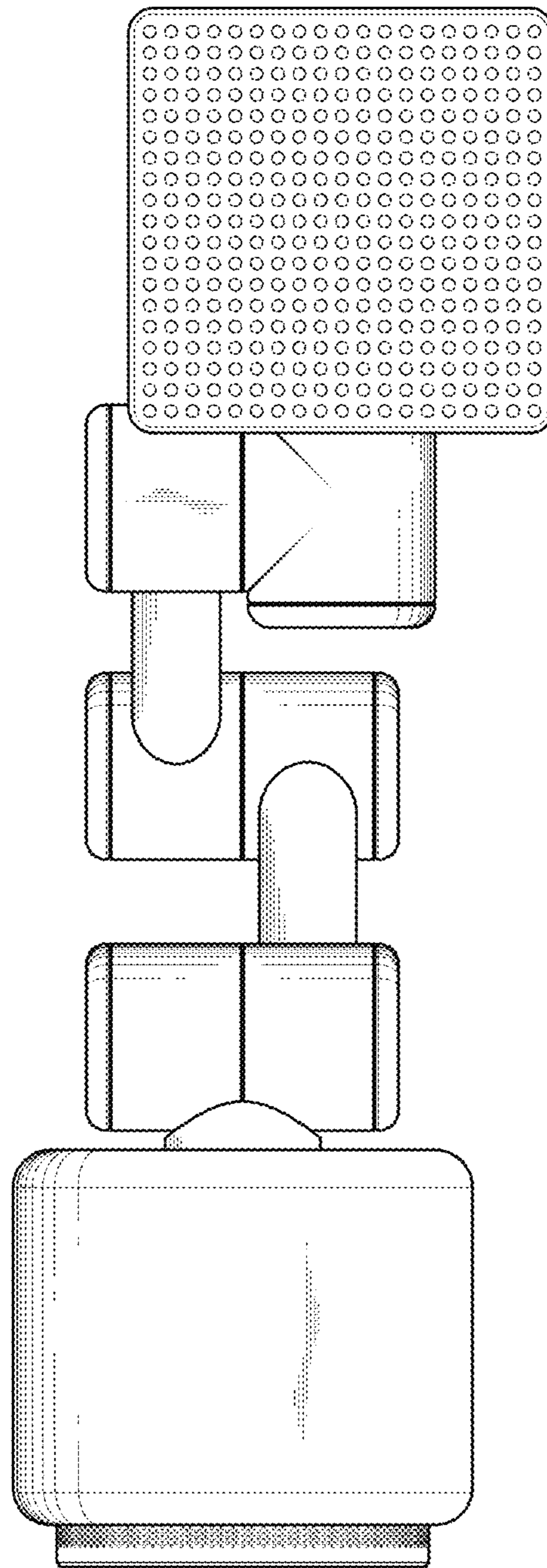


FIG. 4

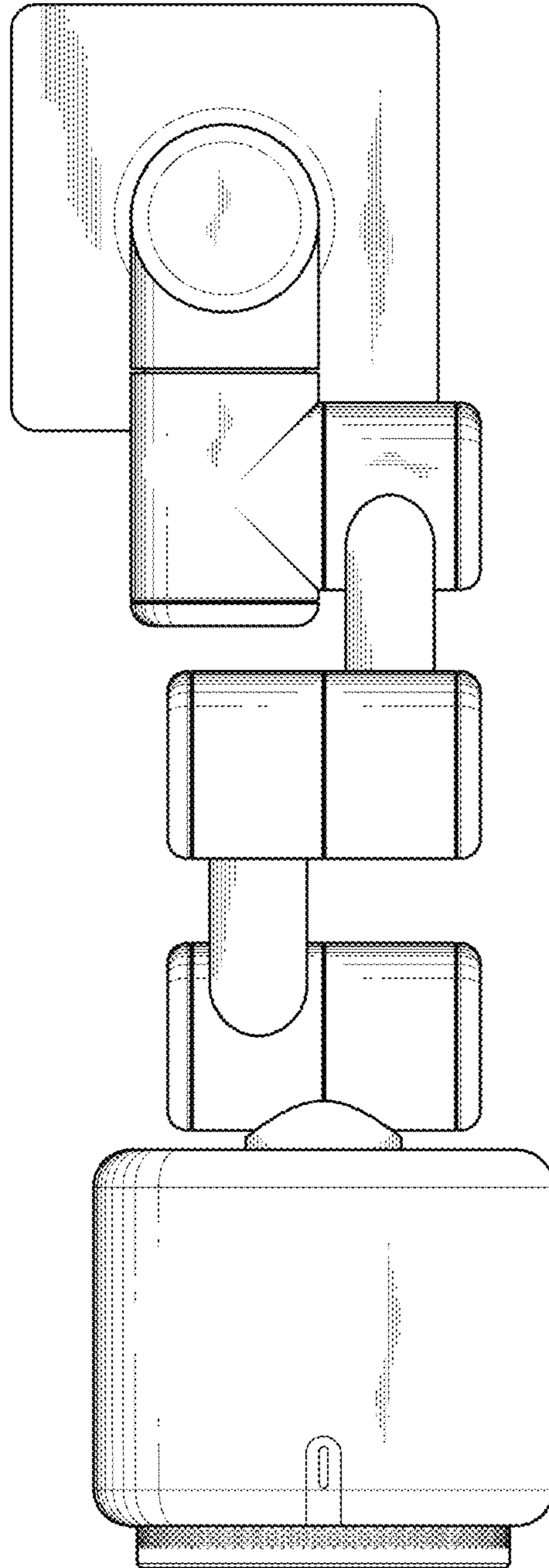


FIG. 5

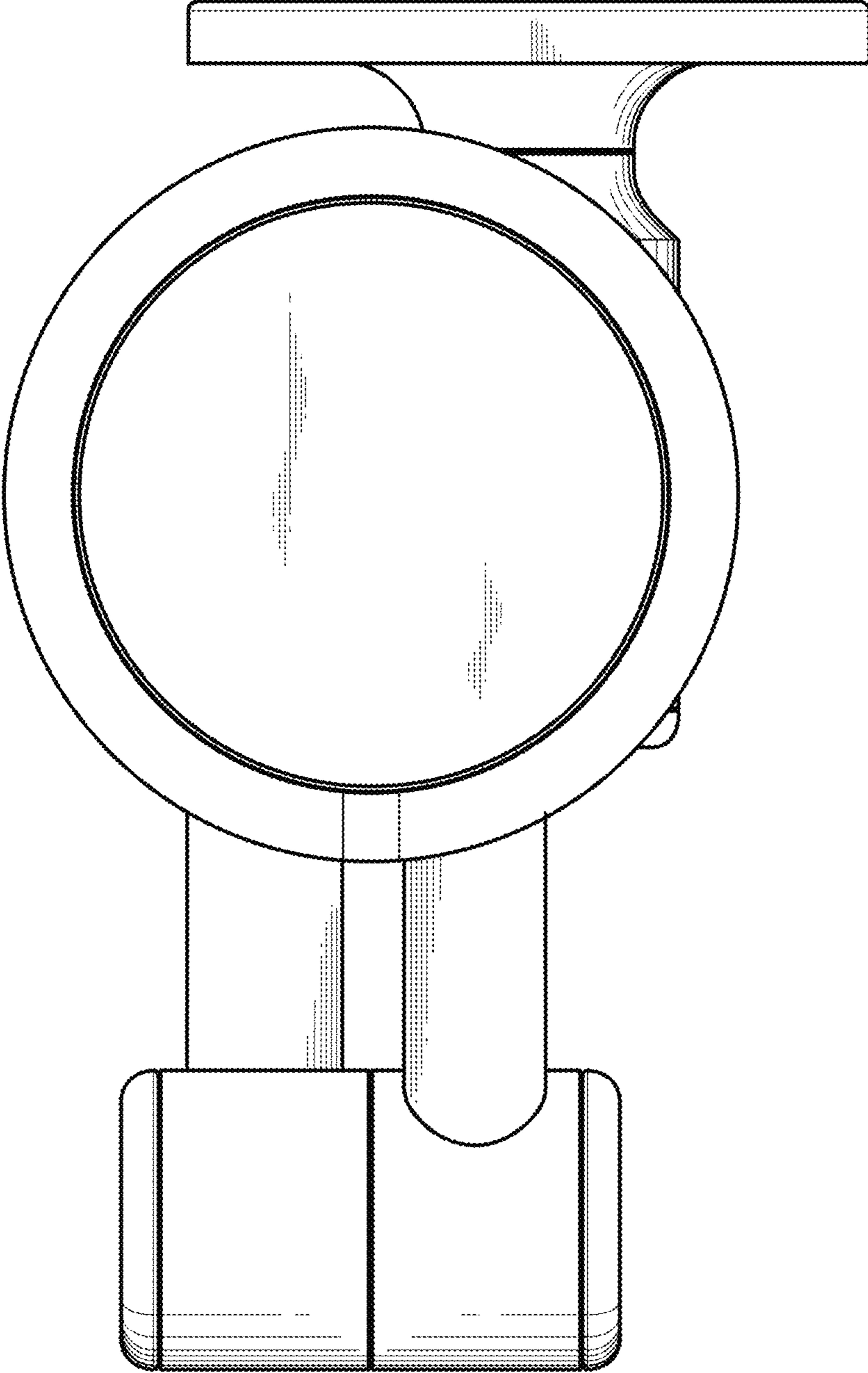


FIG. 6

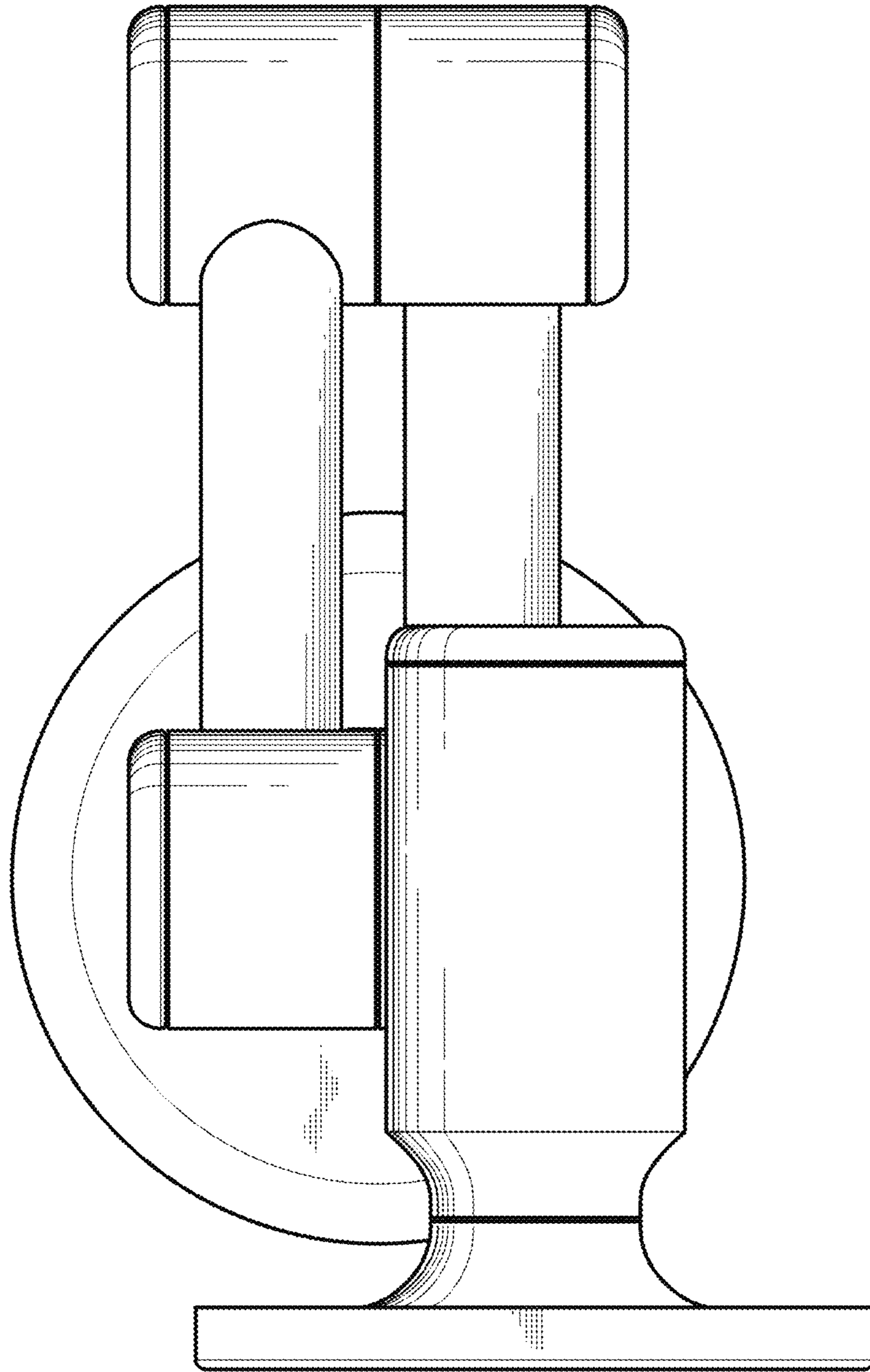


FIG. 7