



US00D891496S

(12) **United States Design Patent** (10) **Patent No.:** **US D891,496 S**
Okawa et al. (45) **Date of Patent:** **** Jul. 28, 2020**

(54) **AUTONOMOUS MOBILE ROBOT**
(71) Applicant: **Panasonic Intellectual Property Management Co., Ltd., Osaka (JP)**
(72) Inventors: **Takayuki Okawa, Tokyo (JP); Sugiko Honda, Kanagawa (JP); Satoshi Tanigawa, Tokyo (JP)**
(73) Assignee: **Panasonic Intellectual Property Management Co., Ltd., Osaka (JP)**

D701,256 S * 3/2014 Song D15/199
D725,166 S * 3/2015 Paik D15/199
D726,836 S * 4/2015 Song D15/199
D793,145 S * 8/2017 Huang D15/199
D806,805 S * 1/2018 Takahashi D21/578
D810,167 S * 2/2018 Yang D15/199
D811,458 S * 2/2018 Wang D15/199
D813,285 S * 3/2018 Wei D15/199
D825,010 S * 8/2018 Osentoski D21/578
D829,250 S * 9/2018 Zilbershtein D15/199
D829,252 S * 9/2018 Wang D15/199
D835,693 S * 12/2018 Lee D15/199

(Continued)

(**) Term: **15 Years**

FOREIGN PATENT DOCUMENTS

(21) Appl. No.: **29/696,338**

JP D1560757 10/2016
JP D1590087 11/2017

(22) Filed: **Jun. 27, 2019**

Primary Examiner — Patricia A Palasik

(30) **Foreign Application Priority Data**

(74) *Attorney, Agent, or Firm* — Panasonic IP Management; Kerry S. Culpepper

Jan. 9, 2019 (JP) 2019-000178

(51) **LOC (12) Cl.** **15-99**

(57) **CLAIM**

(52) **U.S. Cl.**
USPC **D15/199**

We claim the ornamental design for an autonomous mobile robot, as shown and described.

(58) **Field of Classification Search**
USPC D15/199; D21/578–583, 621, 622;
D29/100; D32/21
CPC B25J 5/007; B60B 19/006; B62D 57/024;
H01F 7/0221; Y10S 901/01
See application file for complete search history.

DESCRIPTION

(56) **References Cited**

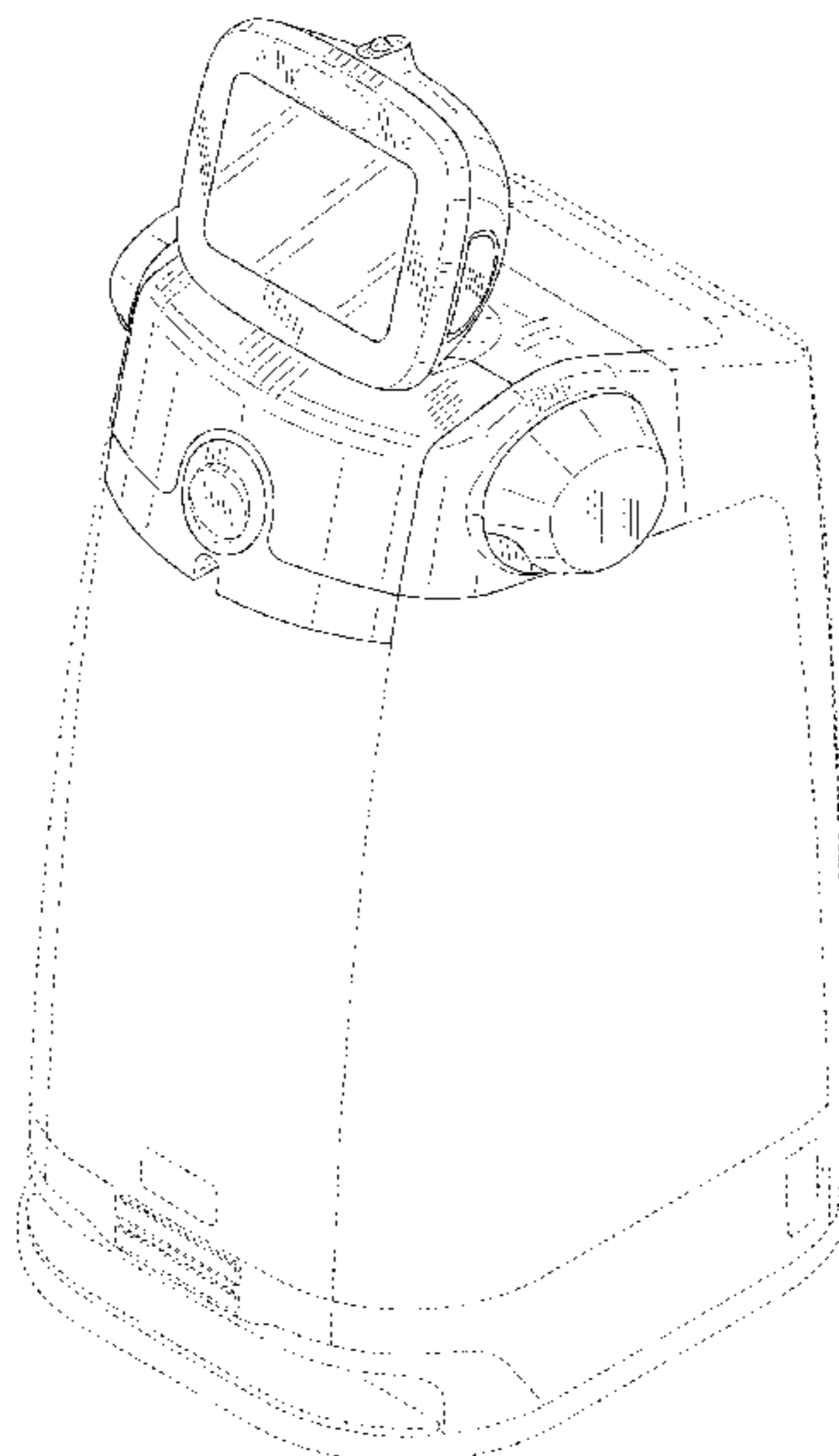
FIG. 1 is a front perspective view of an autonomous mobile robot of the present invention;
FIG. 2 is a front view thereof;
FIG. 3 is a rear view thereof;
FIG. 4 is a first side view thereof;
FIG. 5 is a second side view thereof;
FIG. 6 is a top view thereof; and,
FIG. 7 is a bottom view thereof.

U.S. PATENT DOCUMENTS

3,728,815 A * 4/1973 Tomiyama A63H 11/08
446/291
D549,756 S * 8/2007 Park D15/199
D559,288 S * 1/2008 Matsuda D15/199
D579,035 S * 10/2008 Kim B25J 11/008
D15/199
D635,603 S * 4/2011 Paz Rodriguez D15/199
D644,256 S * 8/2011 Kitano D15/199
D663,333 S * 7/2012 Kitano D15/199

The broken lines shown represent portions of the autonomous mobile robot which form no part of the claimed design. Additionally, the unevenly broken lines in the drawings depict the boundaries of the claimed design and form no part thereof.

1 Claim, 7 Drawing Sheets



(56)

References Cited

U.S. PATENT DOCUMENTS

D840,453 S *	2/2019	Yoo	D15/199
D842,353 S *	3/2019	Lee	D15/199
D851,148 S *	6/2019	Wang	D15/199
D852,861 S *	7/2019	Lee	D15/199
D881,249 S *	4/2020	Kim	D15/199
D881,250 S *	4/2020	Yao	D15/199
2015/0019103 A1 *	1/2015	Choi	B60T 8/172 701/82
2016/0221191 A1 *	8/2016	Ota	B25J 9/1674
2018/0178375 A1 *	6/2018	Yang	B25J 5/007

* cited by examiner

FIG. 1

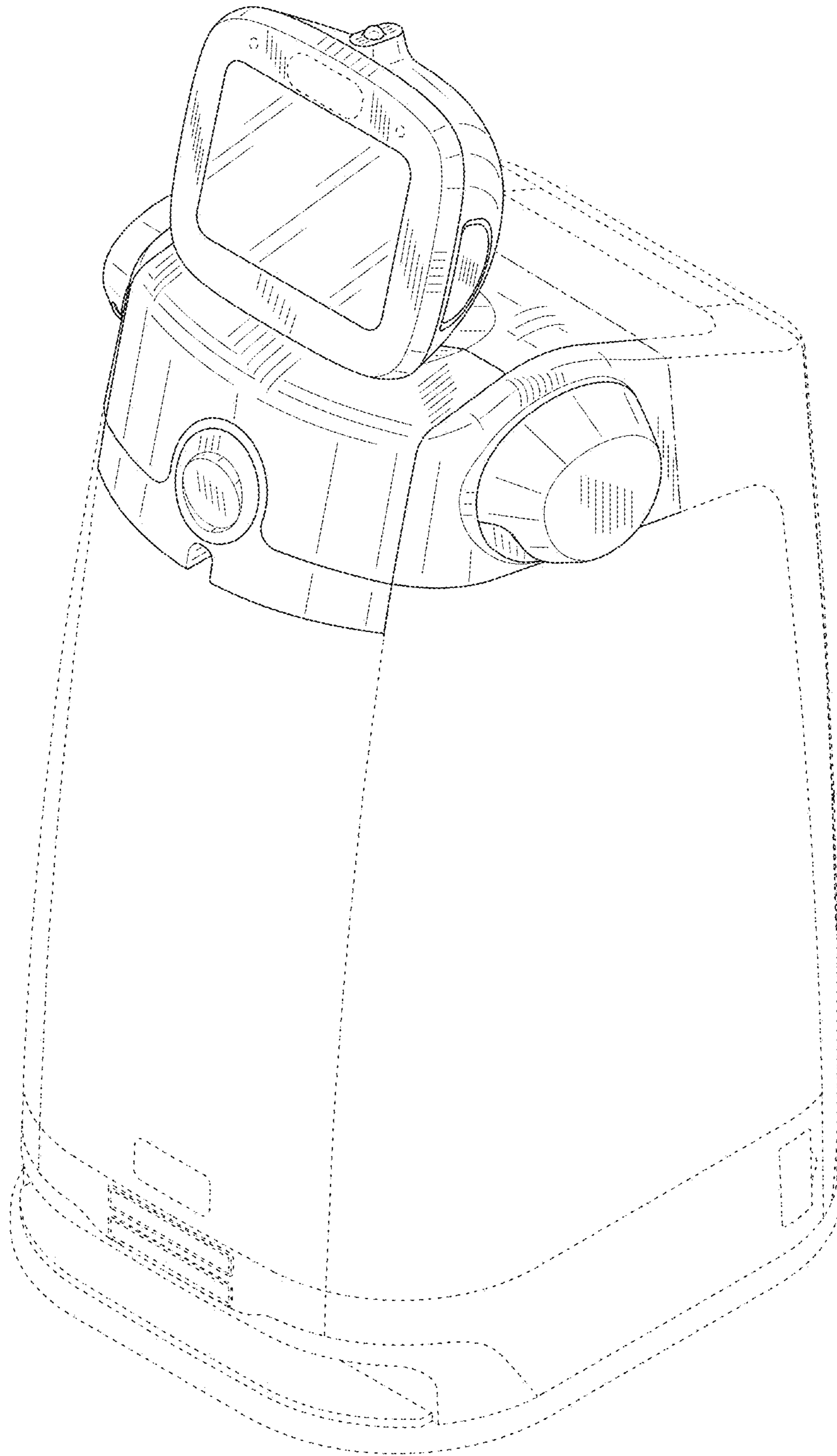


FIG. 2

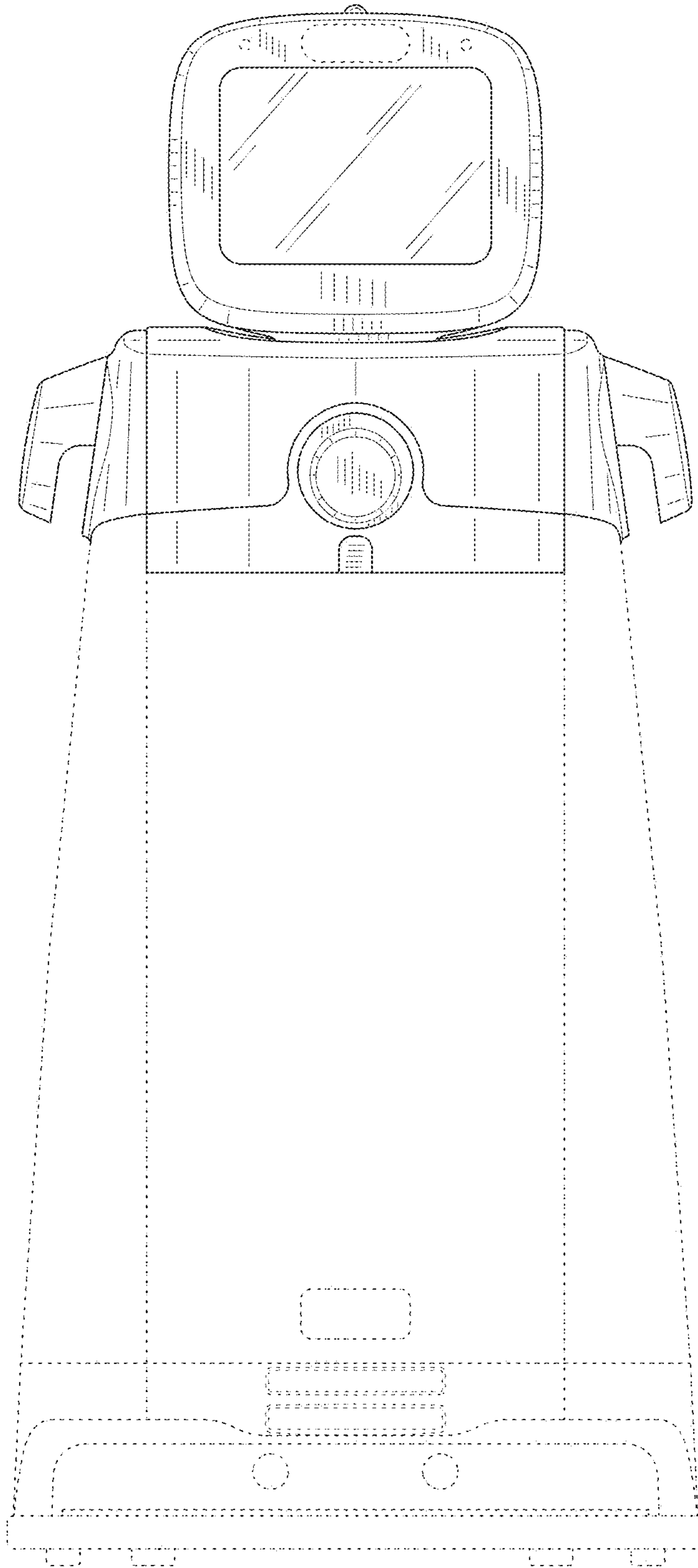


FIG. 3

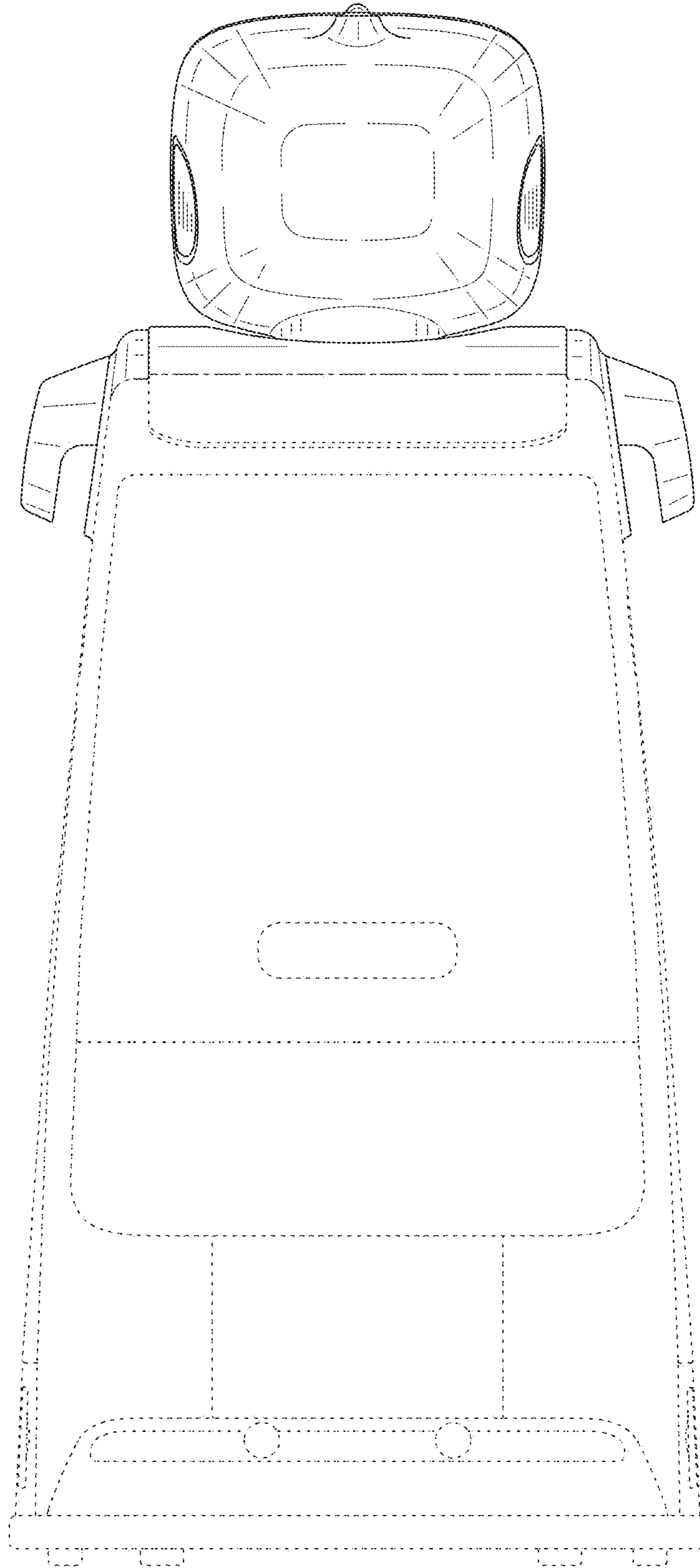


FIG. 4

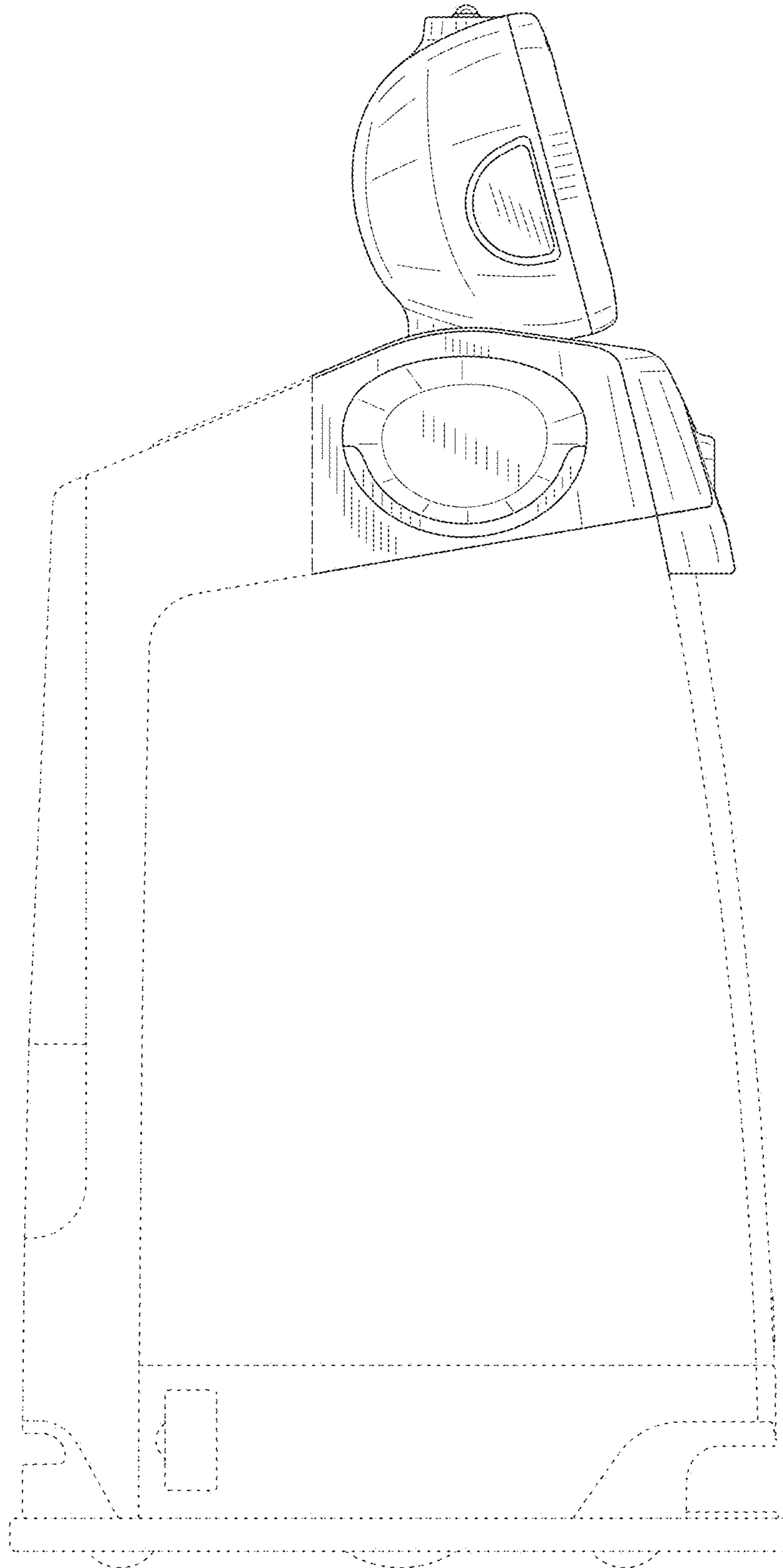


FIG. 5

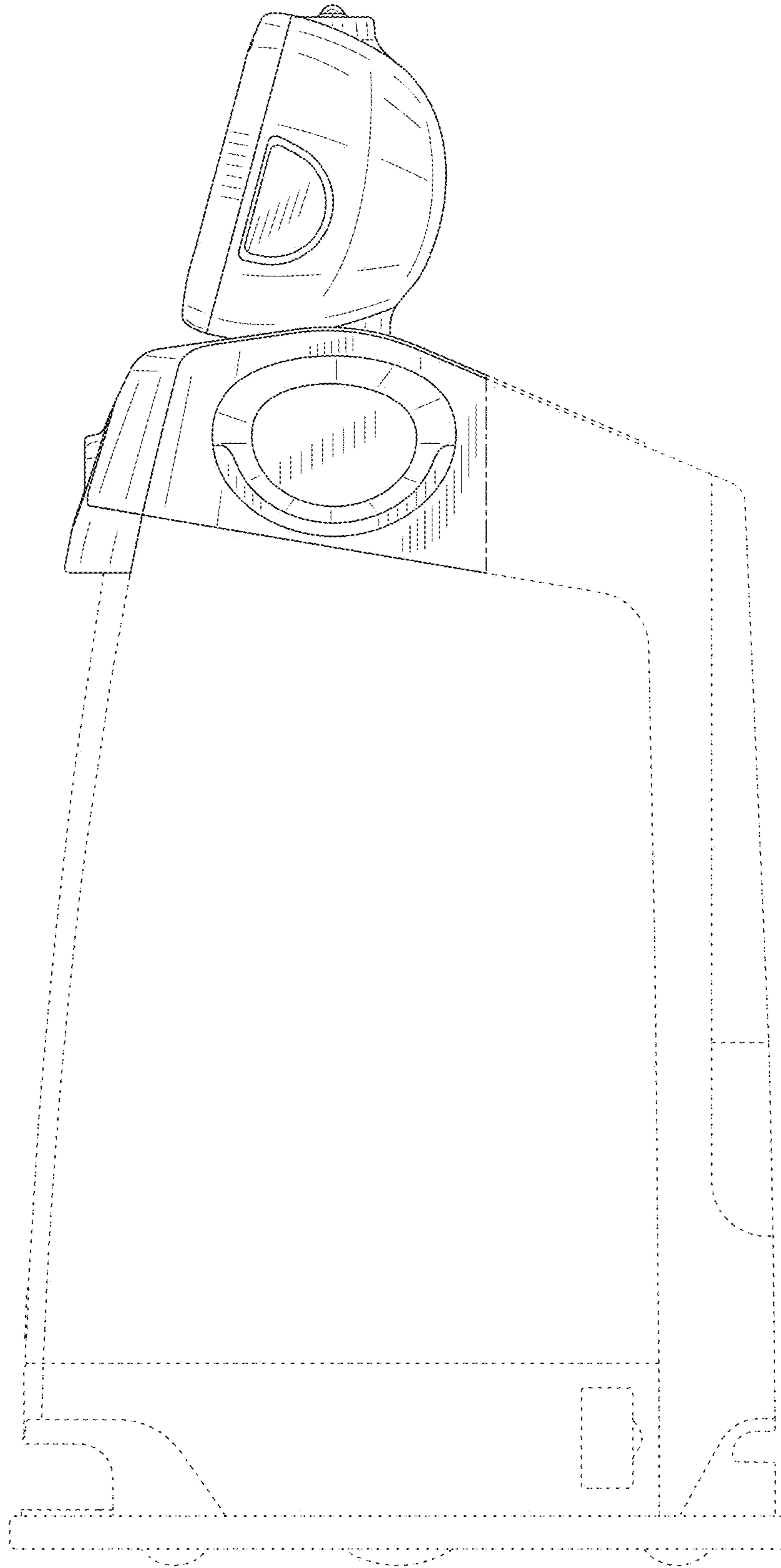


FIG. 6

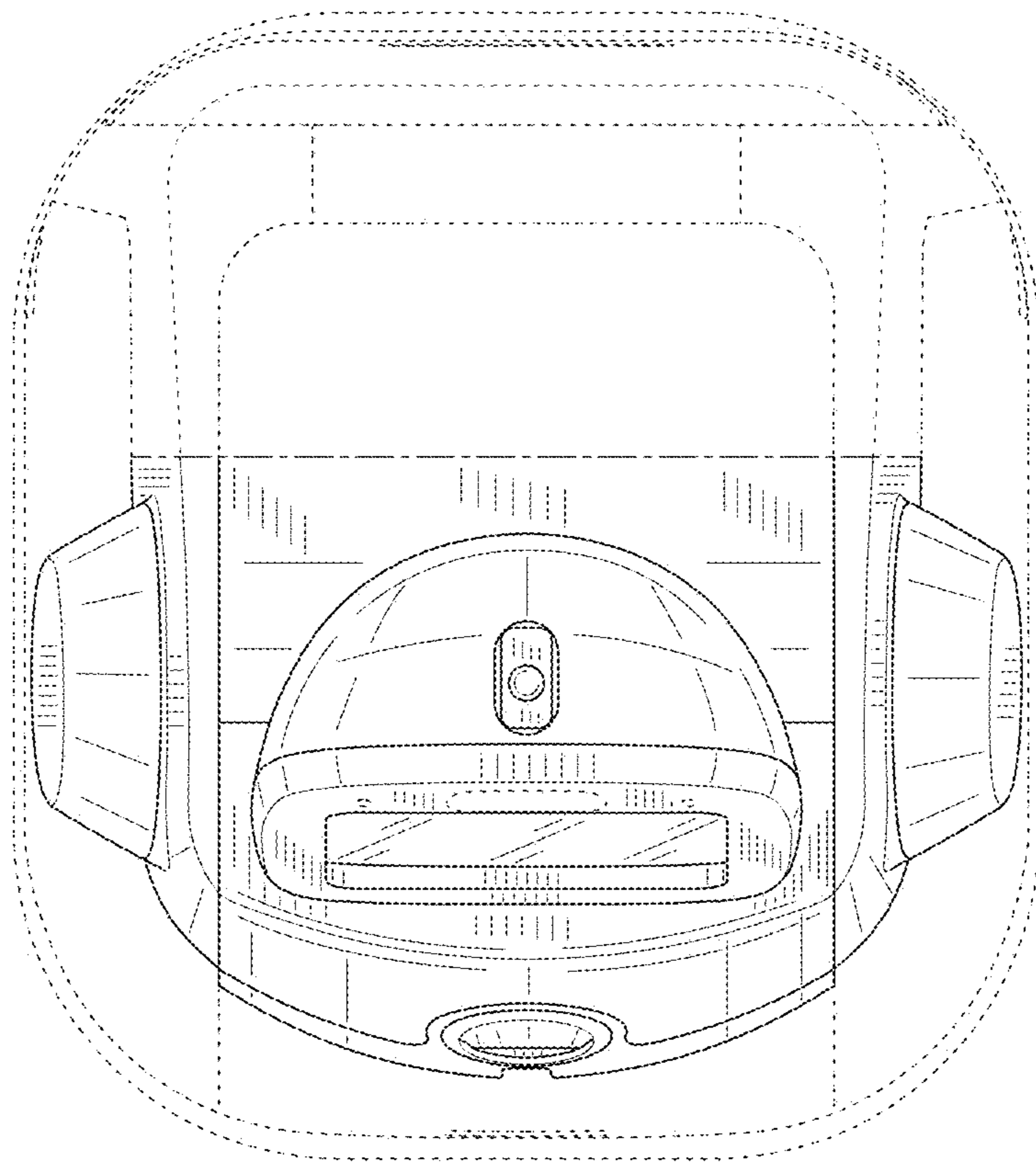


FIG. 7

