

US00D891495S

(12) **United States Design Patent** (10) **Patent No.:** **US D891,495 S**
Wilson et al. (45) **Date of Patent:** **** Jul. 28, 2020**

- (54) **PLUG ACCESSORY FOR A ROBOTIC DEVICE**
- (71) Applicant: **Misty Robotics, Inc.**, Boulder, CO (US)
- (72) Inventors: **Adam Wilson**, Boulder, CO (US); **Kyle Wheeler**, Boulder, CO (US); **Lenn Soderlund**, Boulder, CO (US)
- (73) Assignee: **Misty Robotics, Inc.**, Boulder, CO (US)
- (**) Term: **15 Years**
- (21) Appl. No.: **29/683,846**
- (22) Filed: **Mar. 15, 2019**
- (51) **LOC (12) Cl.** **15-99**
- (52) **U.S. Cl.**
USPC **D15/199**
- (58) **Field of Classification Search**
USPC 15/199; 21/578-583, 621, 622; 23/259, 23/262, 263
CPC B23P 19/006; B25J 9/104; B25J 15/0253; B25J 17/0208; B25J 17/0275; B25J 17/0283; H05K 13/0408; Y10T 29/53039; Y10T 74/19; Y10T 74/20305; Y10T 74/20323; Y10T 74/20329; Y10T 74/20311; Y10T 74/20317; Y10T 403/32041
See application file for complete search history.

8,525,460 B2 *	9/2013	Reiland	B25J 9/1641
				267/277
D696,324 S *	12/2013	Takahashi	D15/199
D794,692 S *	8/2017	Haranaka	D15/199
D806,805 S *	1/2018	Takahashi	D21/578
D842,353 S *	3/2019	Lee	D15/199
D872,152 S *	1/2020	Xiong	D15/199
2012/0272774 A1 *	11/2012	Kirihara	B25J 9/0027
				74/490.06
2014/0102239 A1 *	4/2014	Umeno	B25J 15/0033
				74/490.01
2014/0125080 A1 *	5/2014	Dan	B25J 15/0019
				294/213
2017/0173800 A1 *	6/2017	Genefke	B65H 5/14

* cited by examiner

Primary Examiner — Patricia A Palasik

(57) **CLAIM**

The ornamental design for a plug accessory for a robotic device, as shown and described.

DESCRIPTION

FIG. 1 is a perspective view of a first embodiment of a plug accessory for a robotic device showing our new design.

FIG. 2 is a right perspective view of the plug accessory for a robotic device of FIG. 1.

FIG. 3 is a left perspective view of the plug accessory for a robotic device of FIG. 1.

FIG. 4 is a rear view of the plug accessory for a robotic device of FIG. 1.

FIG. 5 is a top perspective view of the plug accessory for a robotic device of FIG. 1; and,

FIG. 6 is a bottom perspective of the plug accessory for a robotic device of FIG. 1.

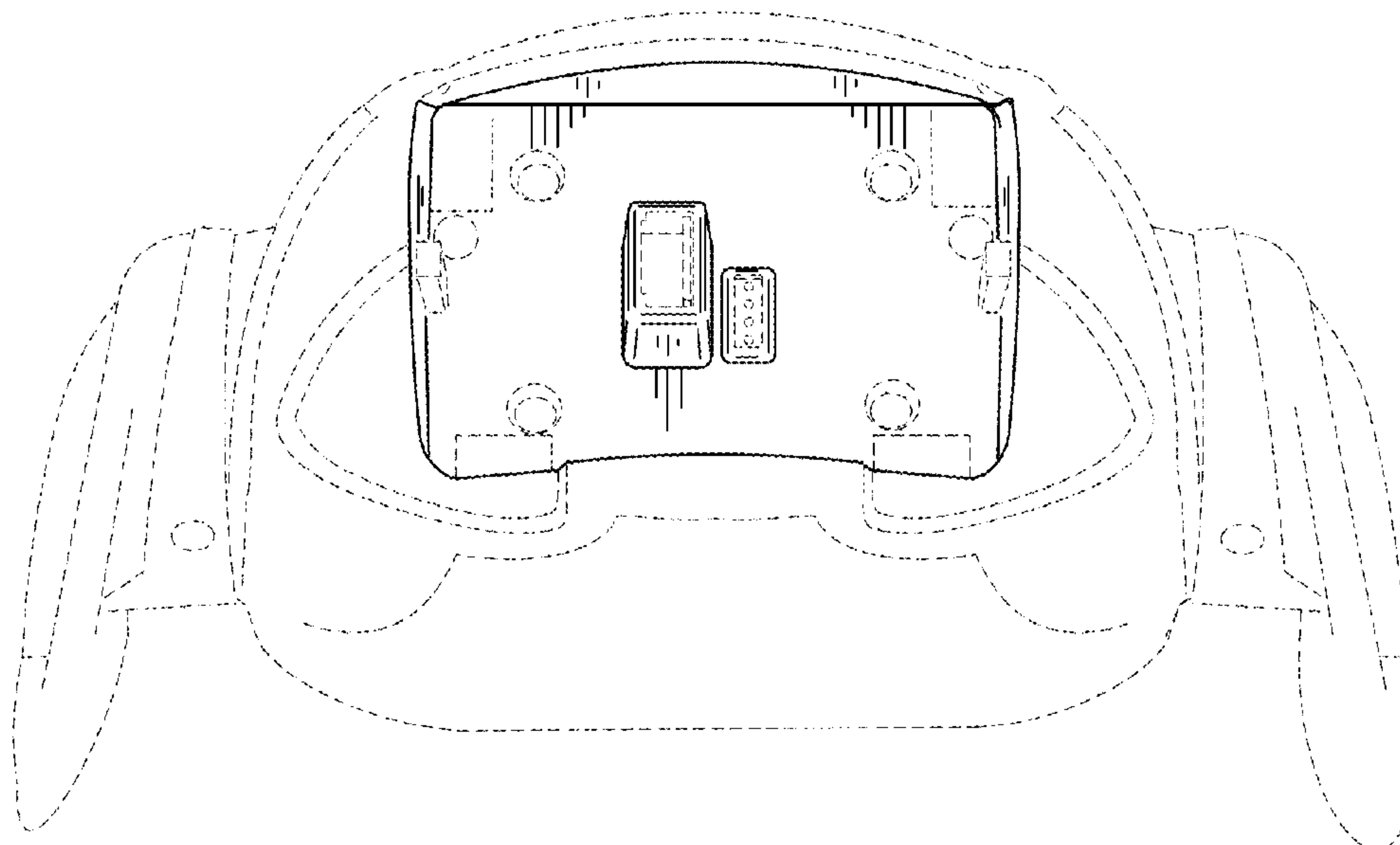
The plug accessory for a robotic device in FIGS. 1-6 includes broken lines depicting environmental or unclaimed portions of the plug accessory for a robotic device that form no part of the claimed design.

1 Claim, 6 Drawing Sheets

(56) **References Cited**

U.S. PATENT DOCUMENTS

6,550,346 B2 *	4/2003	Gombert	G01L 5/166
				250/208.6
D536,010 S *	1/2007	Takahashi	D15/199
D541,353 S *	4/2007	Takahashi	D21/578
D550,735 S *	9/2007	Takahashi	D15/199



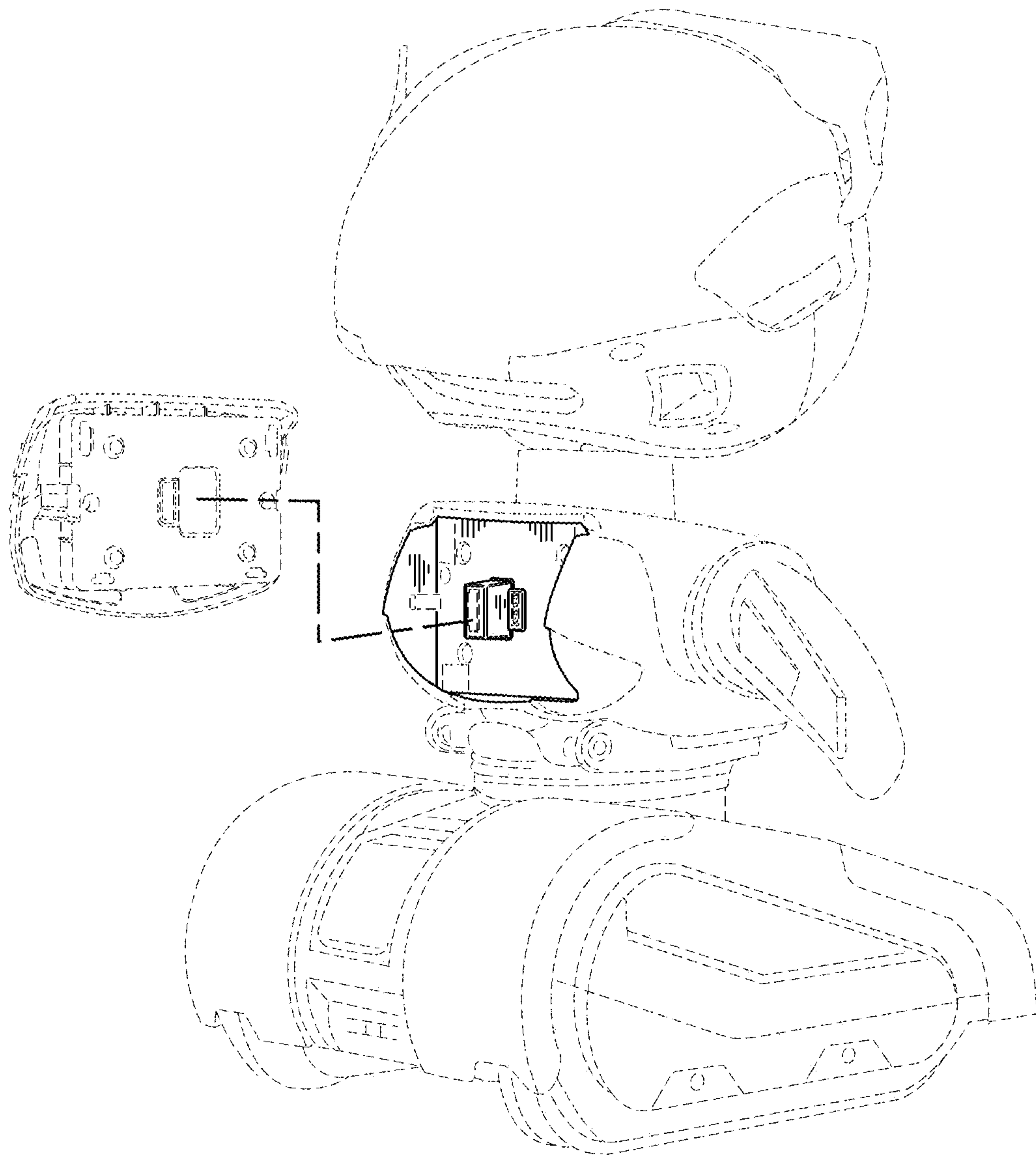


FIG. 1

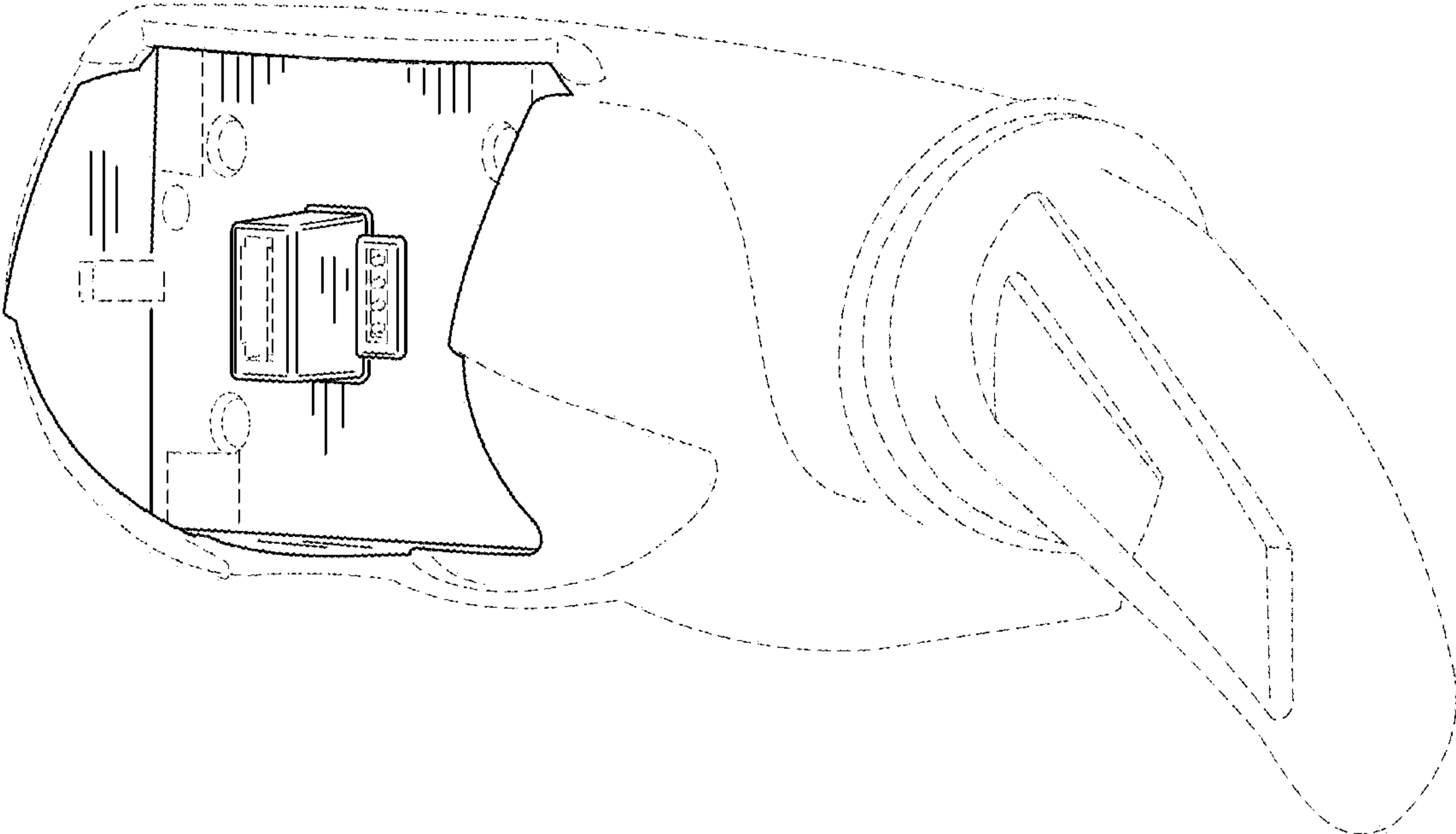


FIG. 2

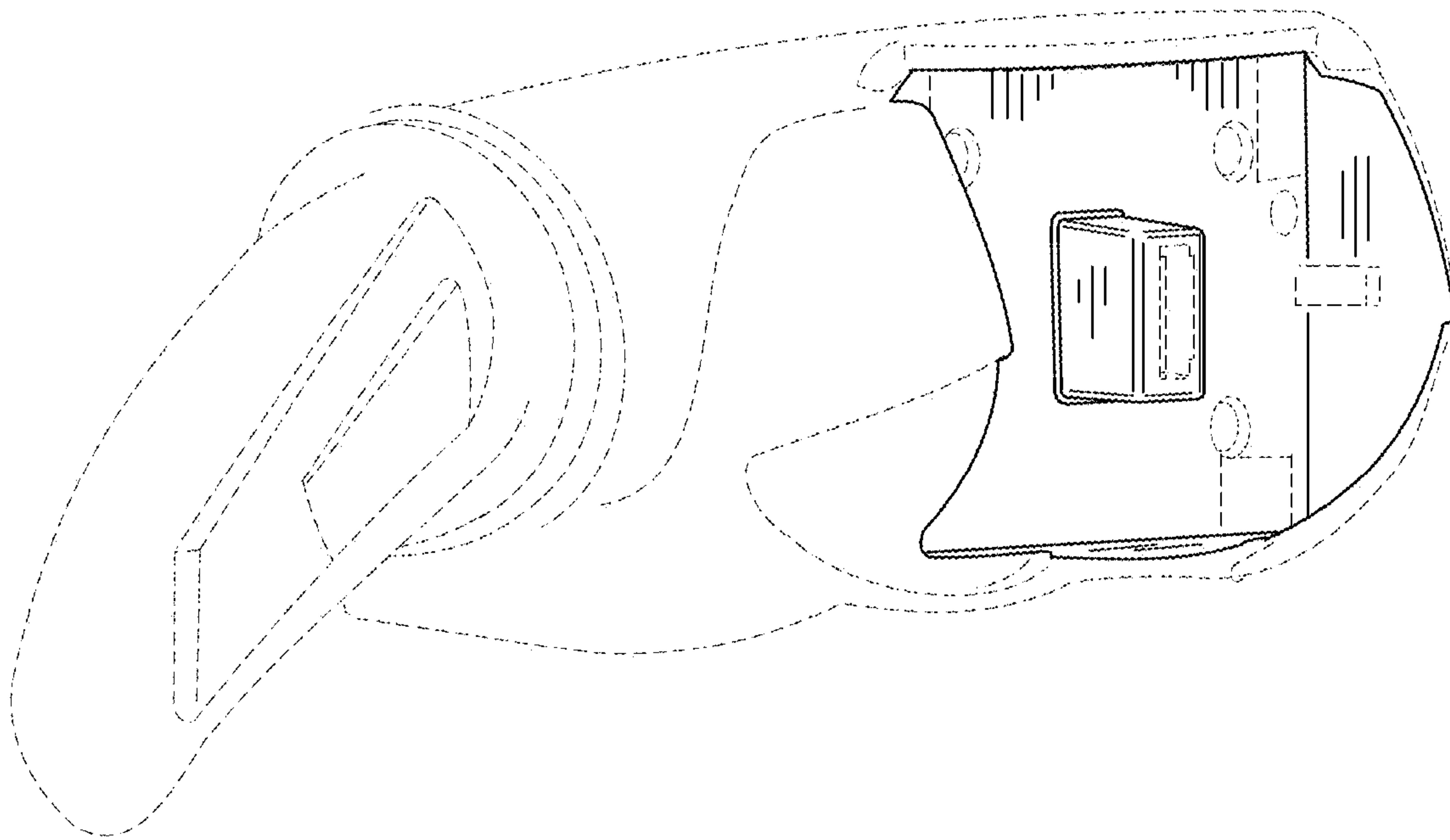


FIG. 3

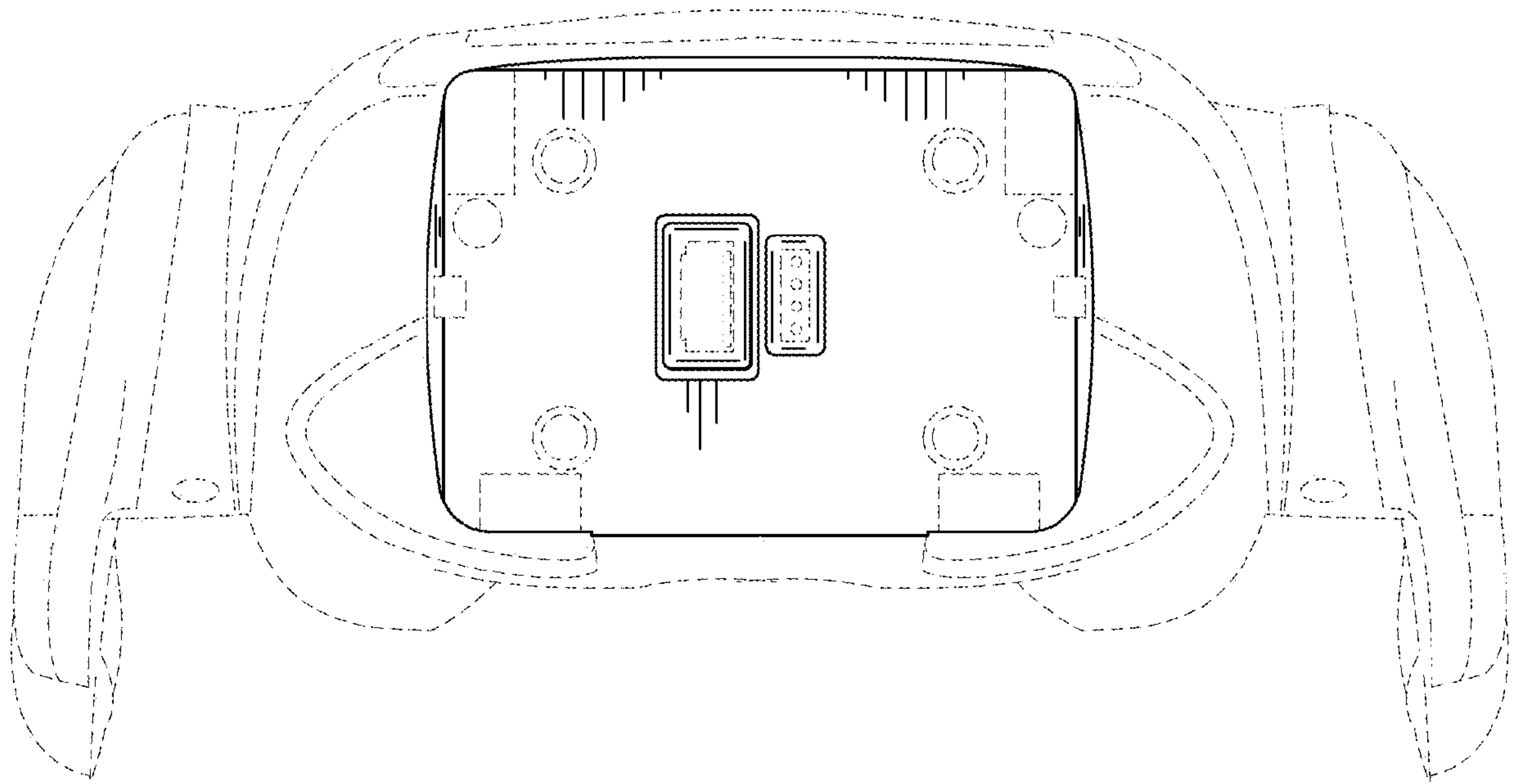


FIG. 4

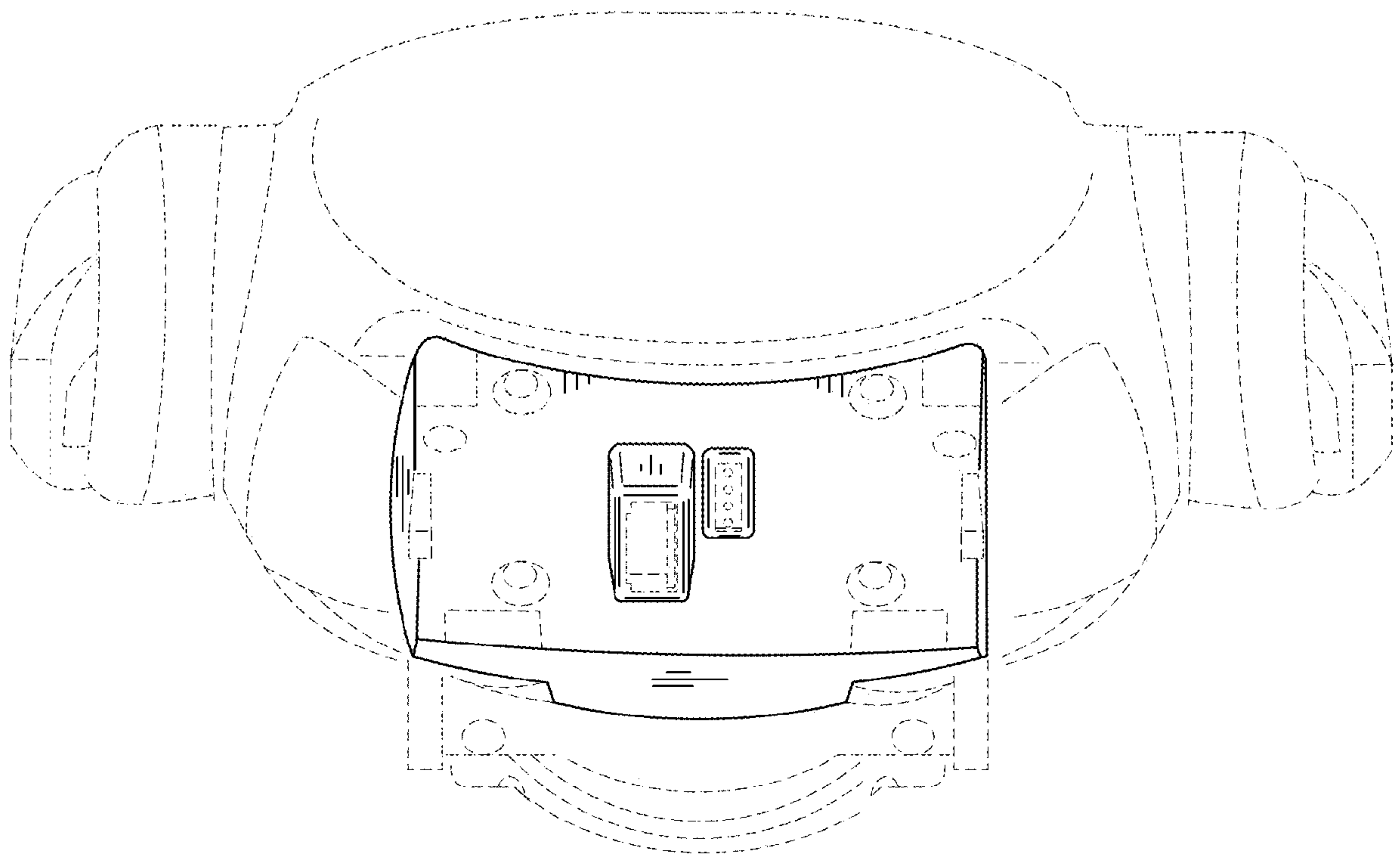


FIG. 5

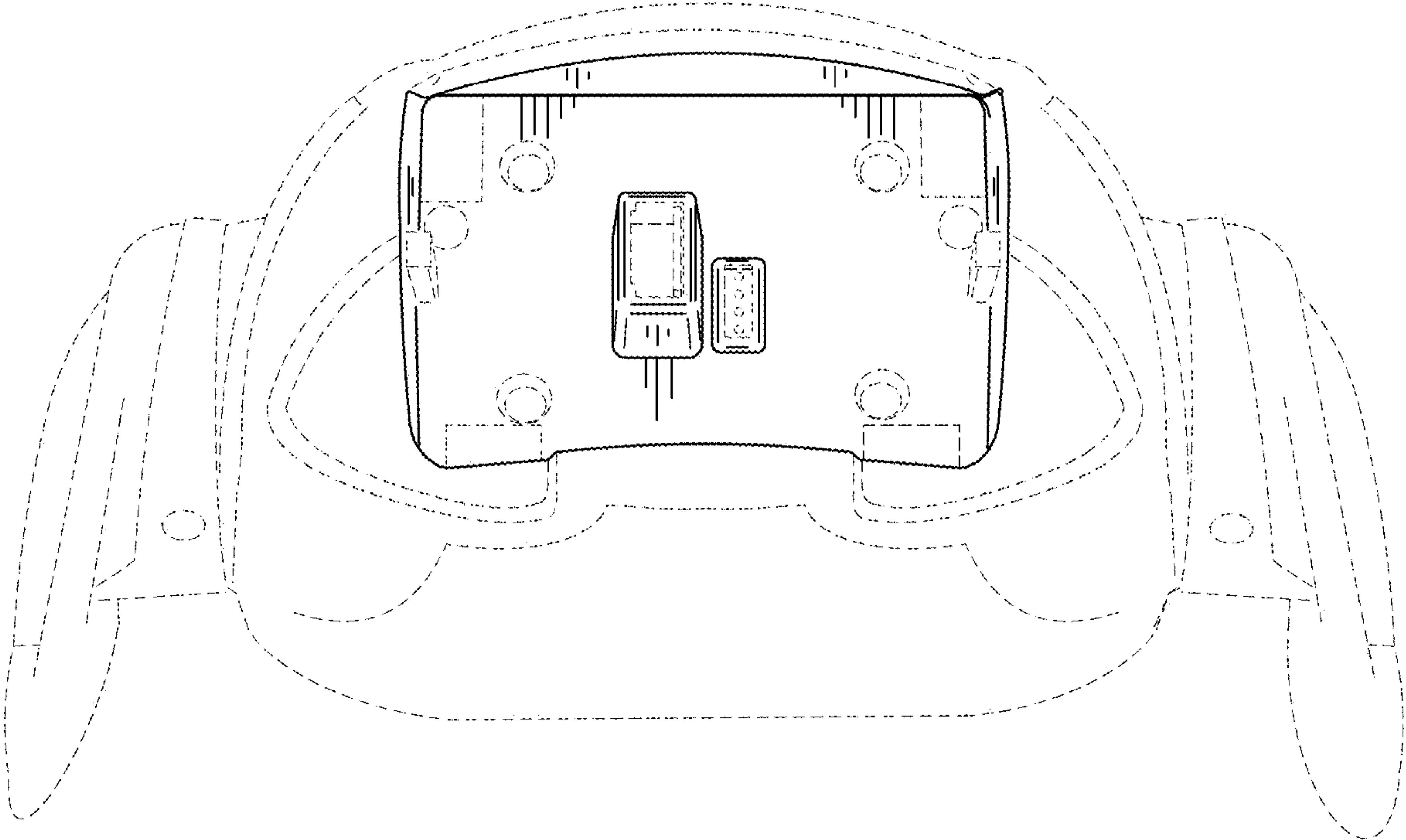


FIG. 6