



US00D891494S

(12) **United States Design Patent** (10) **Patent No.:** **US D891,494 S**
Wilson et al. (45) **Date of Patent:** **** Jul. 28, 2020**

(54) SOCKET FOR A ROBOTIC ARM	8,425,620 B2 *	4/2013	Johnson	A61F 2/76 623/24
(71) Applicant: Misty Robotics, Inc. , Boulder, CO (US)	8,525,460 B2 *	9/2013	Reiland	B25J 9/1641 267/277
(72) Inventors: Adam Wilson , Boulder, CO (US); Kyle Wheeler , Boulder, CO (US); Lenn Soderlund , Boulder, CO (US)	D740,371 S *	10/2015	Ries	D21/333
	D776,178 S *	1/2017	Ries	D15/199
	9,561,595 B1 *	2/2017	Dellon	B25J 9/144
	D781,943 S *	3/2017	Ries	D15/148
	10,131,012 B2 *	11/2018	Cenko	B23K 9/10
	10,343,277 B2 *	7/2019	Gombert	B25J 9/1602
	10,369,702 B2 *	8/2019	Vulcano	B25J 11/00
	10,404,010 B2 *	9/2019	Berrocal	B25J 19/0033
(73) Assignee: Misty Robotics, Inc. , Boulder, CO (US)	2008/0216596 A1 *	9/2008	Madhani	B25J 9/104 74/490.05
(**) Term: 15 Years	2011/0154933 A1 *	6/2011	Liu	B25J 19/0029 74/490.02

(21) Appl. No.: **29/683,844**

(22) Filed: **Mar. 15, 2019**

(51) **LOC (12) Cl.** **15-99**

(52) **U.S. Cl.**
USPC **D15/199**

(58) **Field of Classification Search**
USPC D15/199; D21/578-583, 621, 622;
D23/259, 262, 263
CPC B23P 19/006; B25J 9/104; B25J 15/0253;
B25J 17/0208; B25J 17/0275; B25J
17/0283; H05K 13/0408; Y10T 29/53039;
Y10T 74/19; Y10T 74/20305; Y10T
74/20323; Y10T 74/20329; Y10T
74/20311; Y10T 74/20317; Y10T
403/32041

See application file for complete search history.

(56) **References Cited**

U.S. PATENT DOCUMENTS

4,848,179 A *	7/1989	Ubhayakar	B25J 9/06 74/490.04
5,782,571 A *	7/1998	Hufford	B25J 15/04 403/288
6,550,346 B2 *	4/2003	Gombert	G01L 5/166 250/208.6

(Continued)

Primary Examiner — Patricia A Palasik

(57) **CLAIM**

The ornamental design for a socket for a robotic arm, as shown and described.

DESCRIPTION

FIG. 1 is a perspective view of an embodiment of a socket for a robotic arm showing our new design.

FIG. 2 is a front view of the socket for a robotic arm of FIG. 1.

FIG. 3 is a left perspective view of the socket for a robotic arm of FIG. 1.

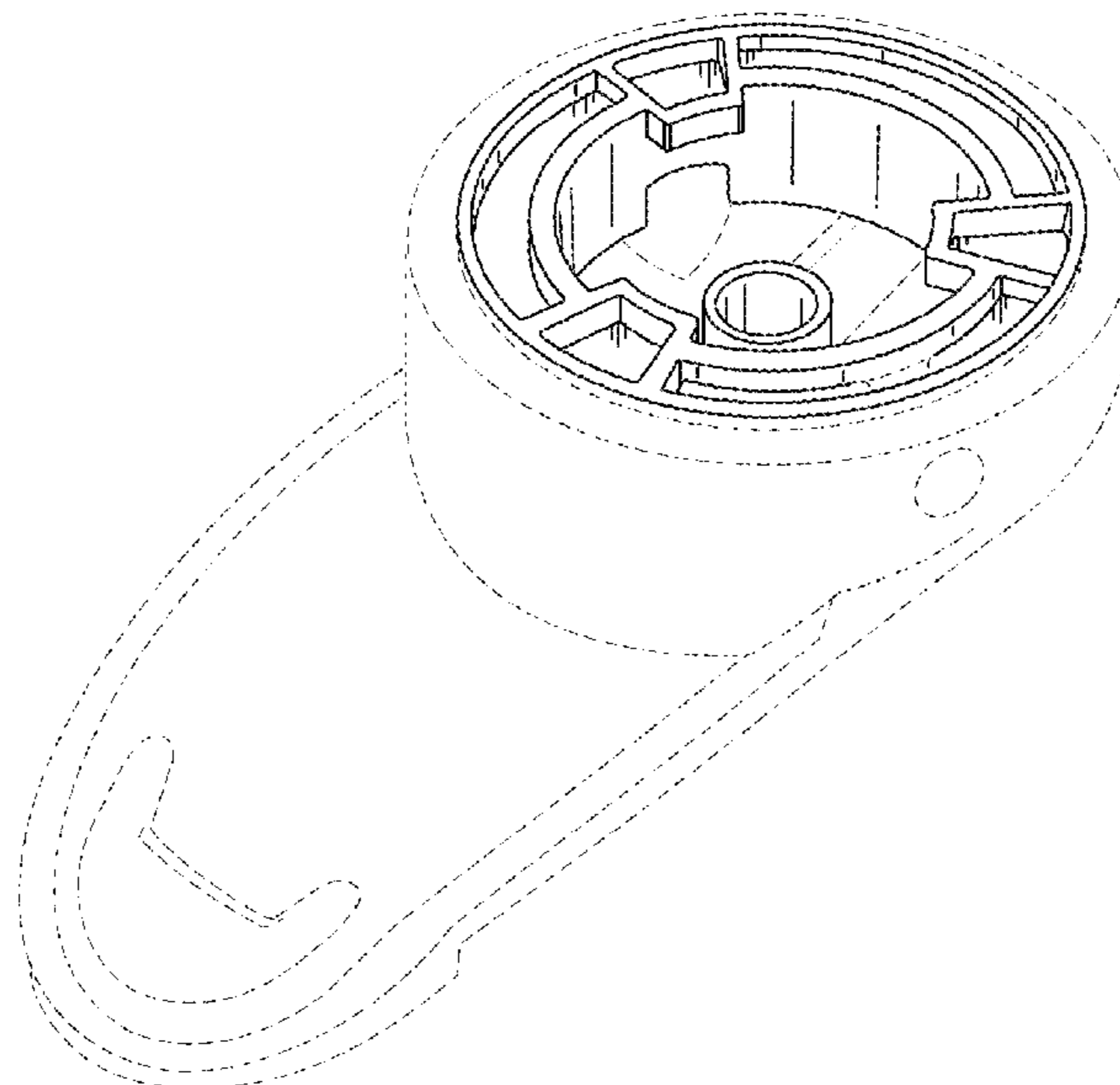
FIG. 4 is a right perspective view of the socket for a robotic arm of FIG. 1.

FIG. 5 is a bottom perspective view of the socket for a robotic arm of FIG. 1; and,

FIG. 6 is a top perspective view of the socket for a robotic arm of FIG. 1.

The socket for a robotic arm in FIGS. 1-6 includes broken lines depicting environmental or unclaimed portions of the socket for a robotic arm that form no part of the claimed design.

1 Claim, 6 Drawing Sheets



US D891,494 S

Page 2

(56)

References Cited

U.S. PATENT DOCUMENTS

2011/0232411	A1*	9/2011	Long	B25J 17/0258	74/490.05
2011/0265597	A1*	11/2011	Long	B25J 9/102	74/490.05
2011/0290059	A1*	12/2011	Pan	B25J 9/101	74/490.01
2011/0296944	A1*	12/2011	Carter	B25J 17/0275	74/490.05
2012/0034022	A1*	2/2012	Long	B25J 9/102	403/81
2012/0048051	A1*	3/2012	Long	B25J 19/0054	74/490.03
2012/0067148	A1*	3/2012	Long	F16H 1/22	74/412 R
2012/0085191	A1*	4/2012	Long	B25J 9/102	74/423
2013/0047769	A1*	2/2013	Long	B25J 9/102	74/490.01
2013/0068060	A1*	3/2013	Xu	F16D 9/06	74/490.05
2013/0081502	A1*	4/2013	Long	B25J 9/102	74/490.04
2013/0118286	A1*	5/2013	Long	B25J 17/0283	74/490.01
2013/0125696	A1*	5/2013	Long	B25J 18/04	74/490.05
2013/0145891	A1*	6/2013	Long	B25J 18/00	74/490.02
2013/0340560	A1*	12/2013	Burridge	B25J 17/00	74/490.05
2014/0116182	A1*	5/2014	Long	B25J 9/102	74/490.04
2014/0290418	A1*	10/2014	Long	B25J 9/103	74/490.05
2015/0251322	A1*	9/2015	Goodwin	B25J 11/008	74/490.03
2019/0200498	A1*	6/2019	Kondo	H05K 13/085	
2019/0270207	A1*	9/2019	Motowaki	B25J 9/1664	

* cited by examiner

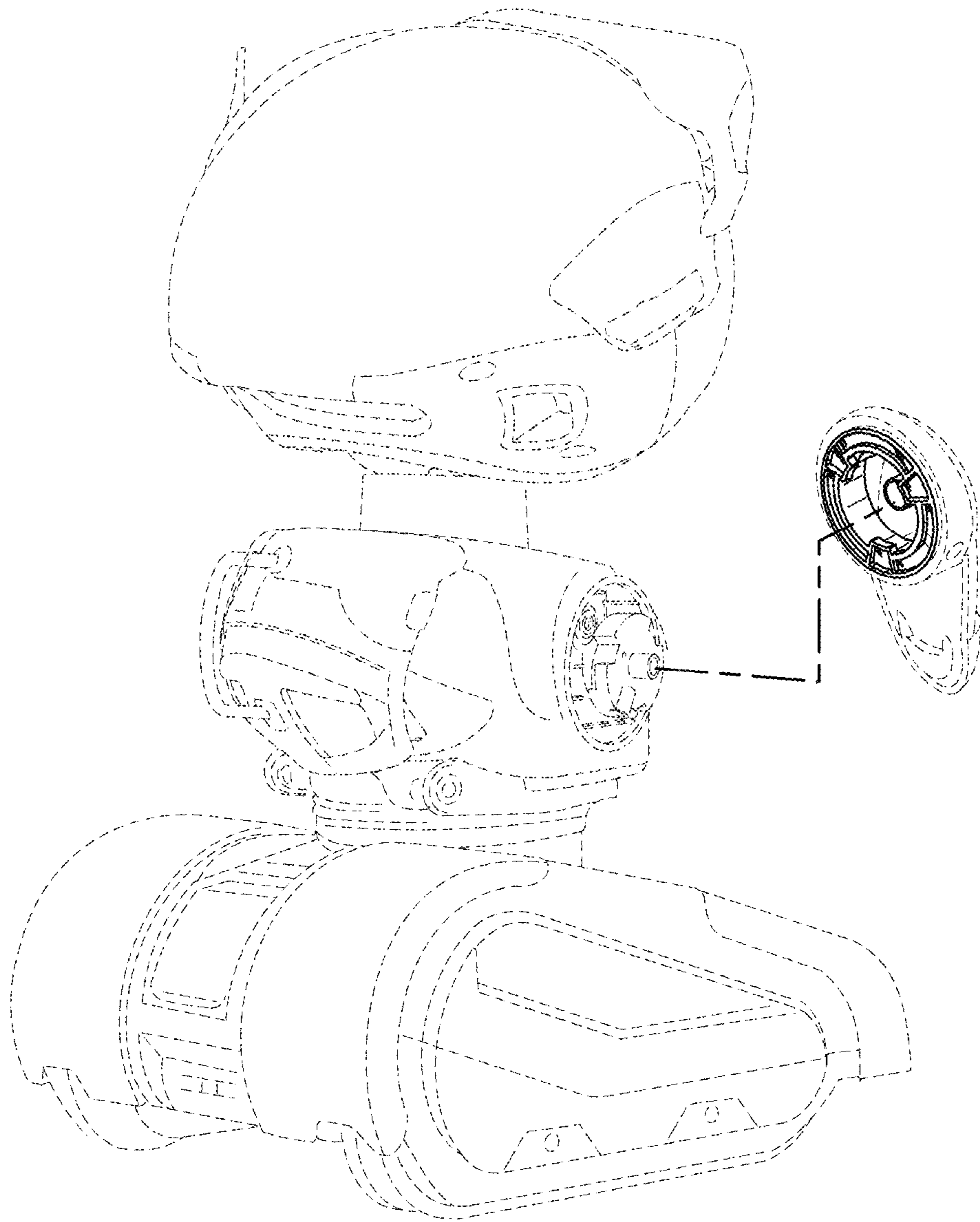


FIG. 1

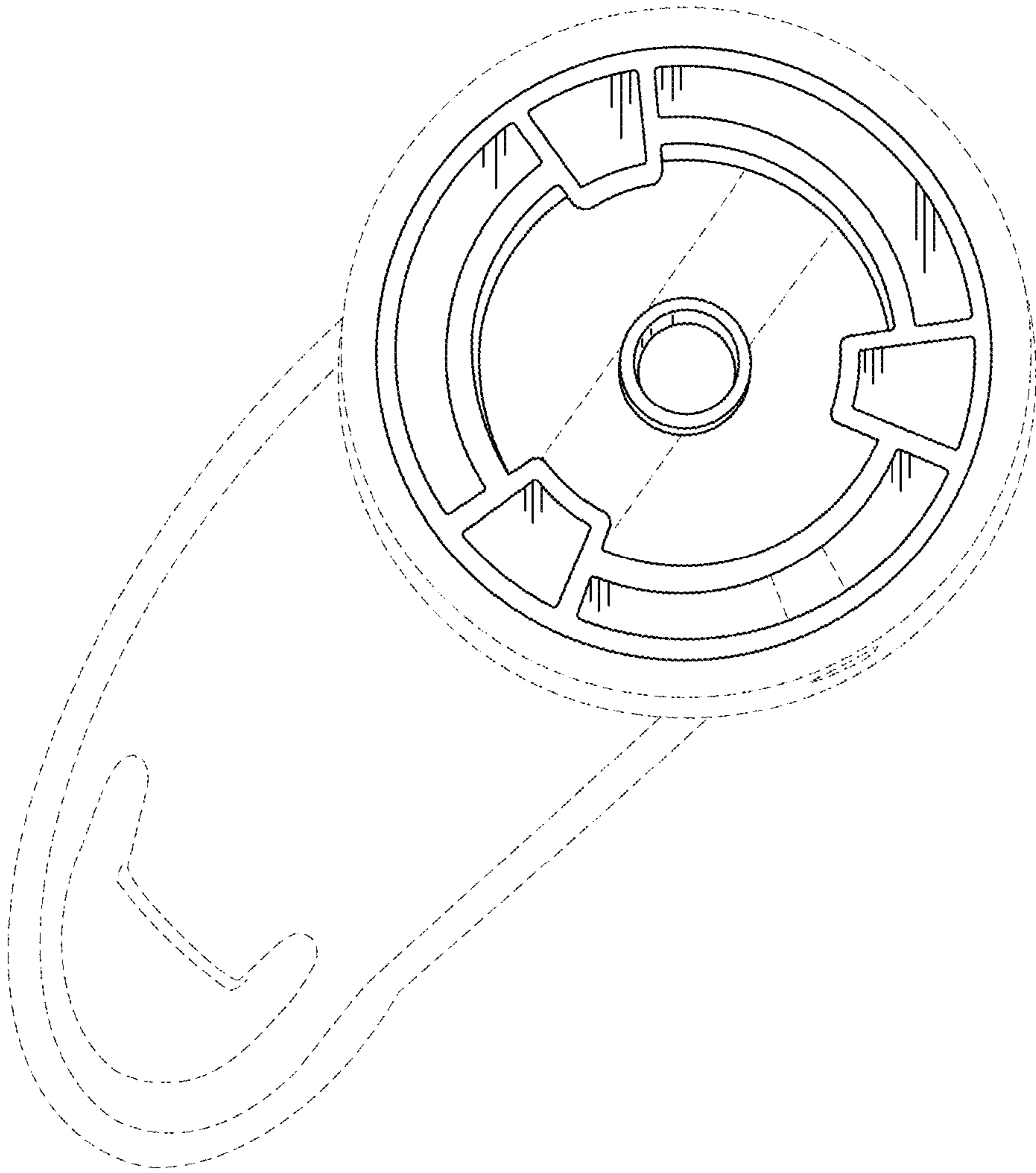


FIG. 2

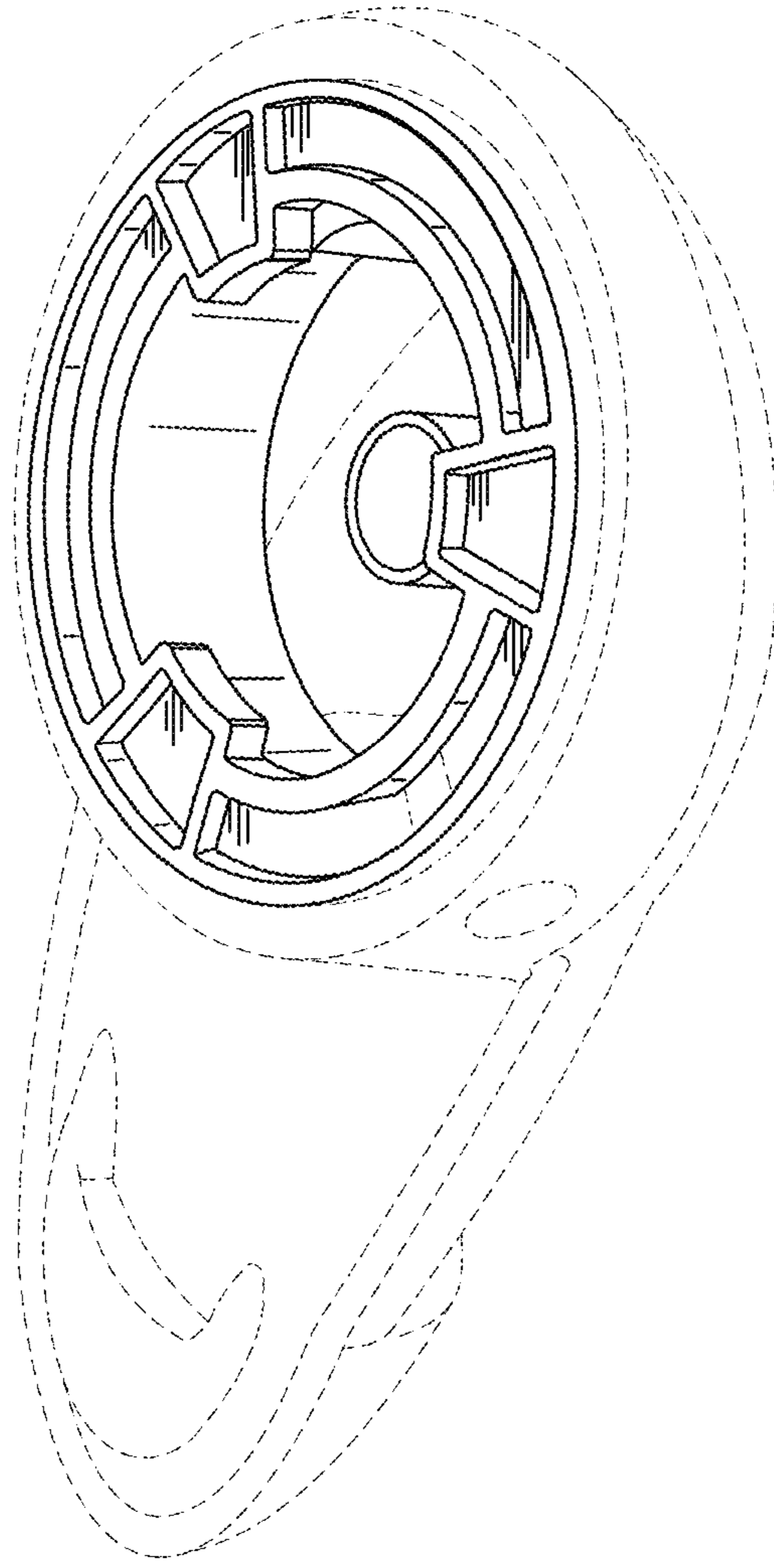


FIG. 3

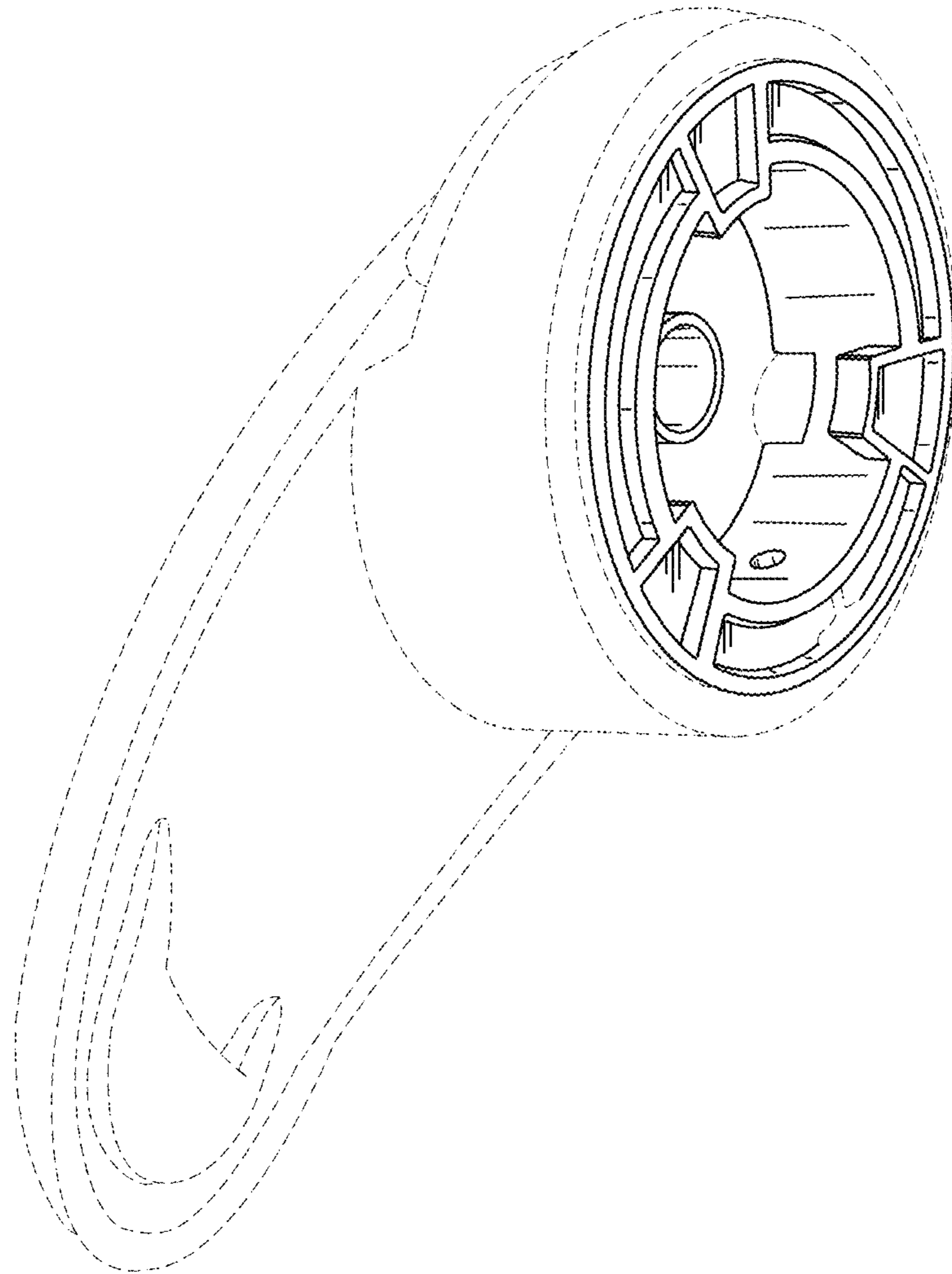


FIG. 4

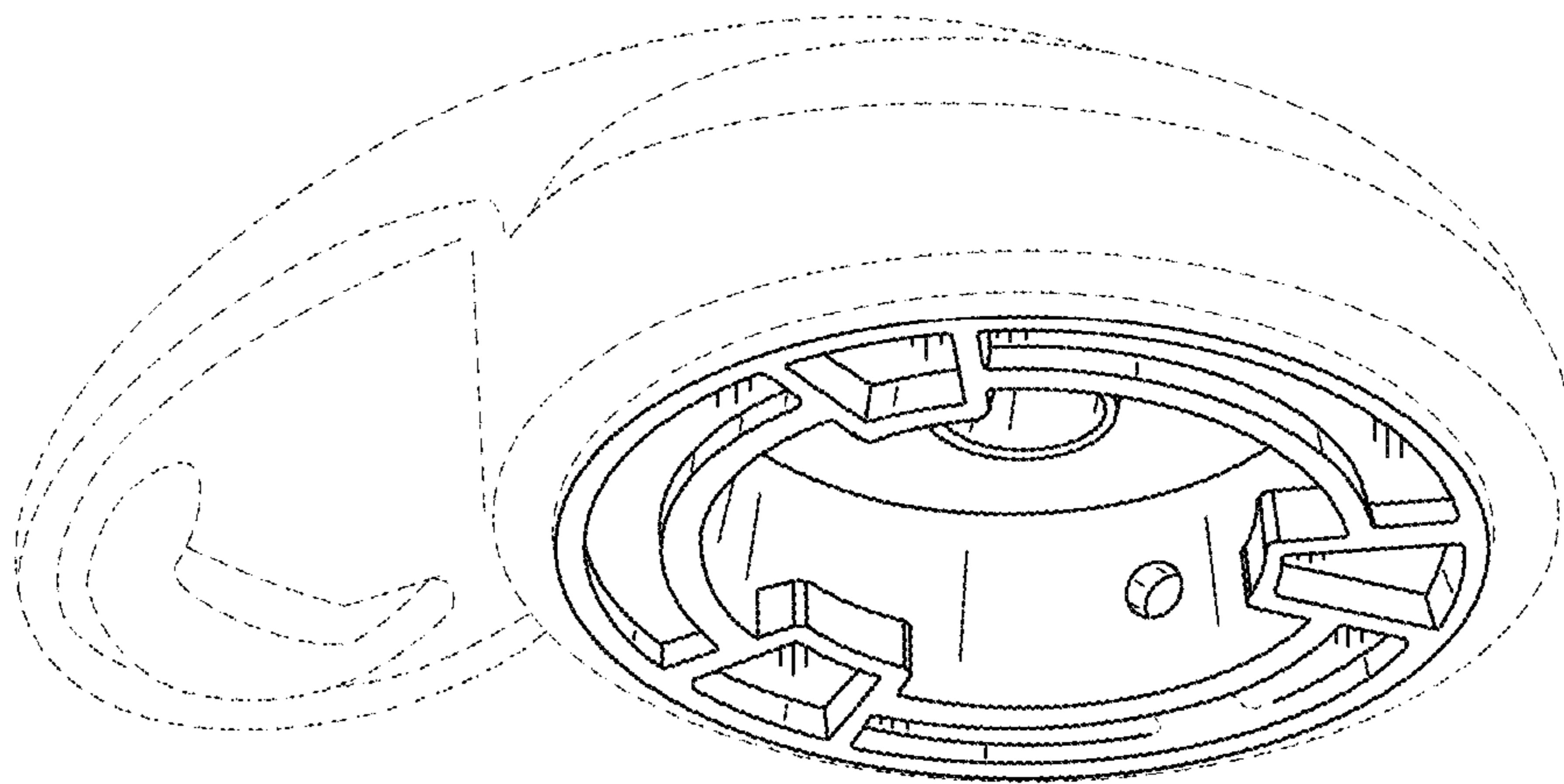


FIG. 5

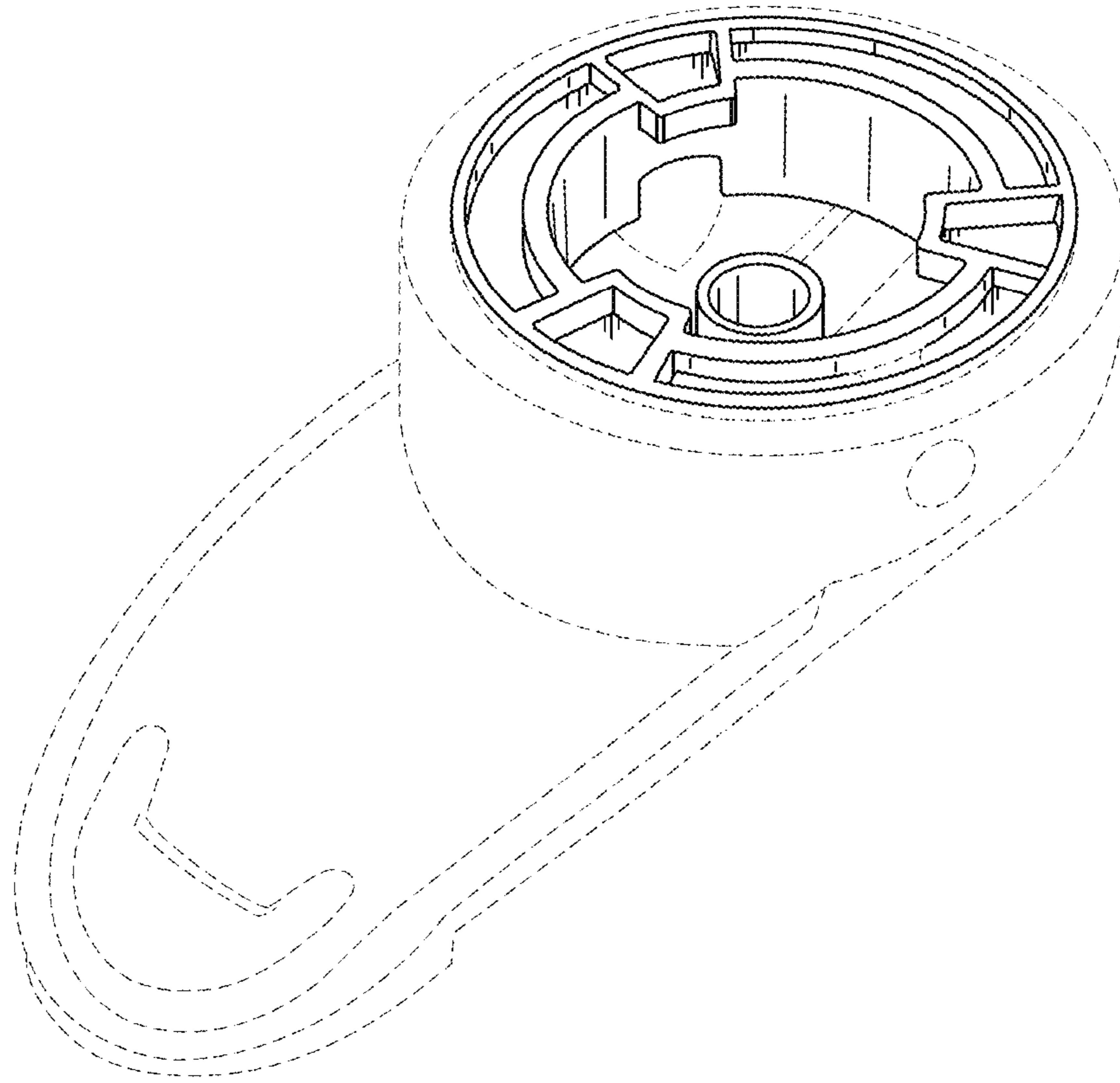


FIG. 6