



US00D891492S

(12) **United States Design Patent**
Kawaguchi et al.

(10) **Patent No.:** **US D891,492 S**
(45) **Date of Patent:** **** Jul. 28, 2020**

- (54) **MOTION ASSISTANCE APPARATUS** 5,342,254 A * 8/1994 Sula B25J 9/102
475/223
- (71) Applicant: **MITSUBISHI ELECTRIC CORPORATION**, Tokyo (JP) 5,593,293 A * 1/1997 Machino B25J 9/0009
414/729
- (72) Inventors: **Noboru Kawaguchi**, Tokyo (JP); **Hidetaka Yamauchi**, Tokyo (JP); **Koji Hirose**, Tokyo (JP) 5,740,699 A * 4/1998 Ballantyne B25J 17/0266
403/120
- (73) Assignee: **Mitsubishi Electric Corporation**, Tokyo (JP) 5,893,296 A * 4/1999 Rosheim G05G 5/03
74/490.03
- 6,151,981 A * 11/2000 Costa B25J 9/023
74/490.03
- 6,220,813 B1 * 4/2001 Launiere B23Q 1/50
198/468.6
- 6,240,799 B1 * 6/2001 Yau B23Q 1/5462
74/479.01

(**) Term: **15 Years**

(Continued)

(21) Appl. No.: **29/666,979**

Primary Examiner — Patricia A Palasik

(22) Filed: **Oct. 17, 2018**

(74) *Attorney, Agent, or Firm* — Studebaker & Brackett PC

(30) **Foreign Application Priority Data**

Apr. 18, 2018 (JP) 2018-008540

(51) **LOC (12) Cl.** **15-99**

(52) **U.S. Cl.**
USPC **D15/199**

(58) **Field of Classification Search**
USPC D15/199; D21/369, 578–583, 621, 622;
D24/190
CPC B25J 9/102; B25J 9/104; B25J 17/0241;
Y10T 74/20317; Y10T 74/20323
See application file for complete search history.

(56) **References Cited**

U.S. PATENT DOCUMENTS

- 5,002,242 A * 3/1991 Nagai B25J 17/0241
248/49
- 5,099,707 A * 3/1992 Tori B25J 9/02
384/296
- 5,107,716 A * 4/1992 Torii B25J 9/02
384/296
- 5,119,753 A * 6/1992 Milad B23Q 1/5406
114/338

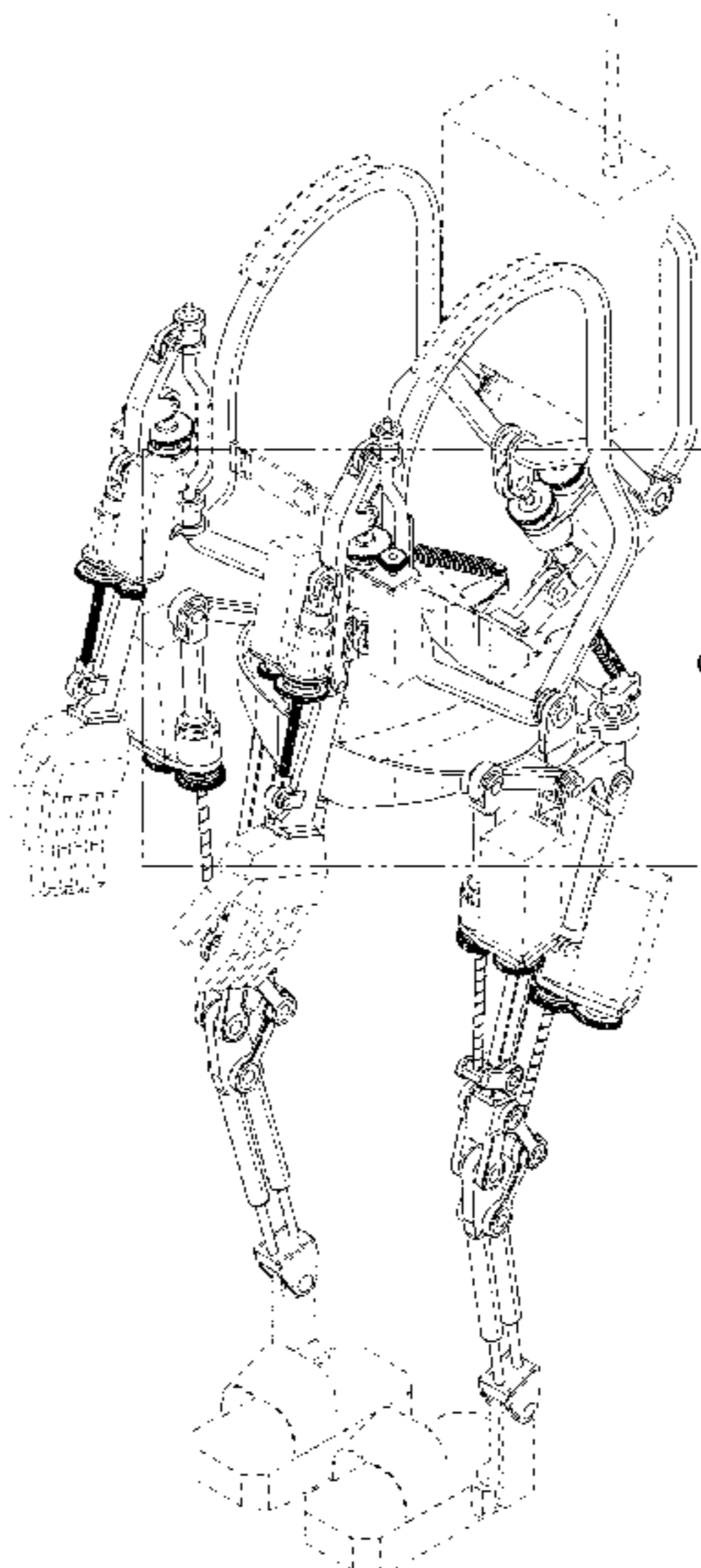
(57) **CLAIM**

The ornamental design for a motion assistance apparatus, as shown and described.

DESCRIPTION

FIG. 1 is front perspective view of the front, right, and top sides of a motion assistance apparatus showing our new design;
 FIG. 2 is a rear perspective view of the rear, left, and bottom sides thereof;
 FIG. 3 is a front view thereof;
 FIG. 4 is a rear view thereof;
 FIG. 5 is a left side view thereof;
 FIG. 6 is a right side view thereof;
 FIG. 7 is a top plan view thereof;
 FIG. 8 is a bottom plan view thereof;
 FIG. 9 is an enlarged view of part 9 of FIG. 1; and,
 FIG. 10 is an enlarged view of part 10 of FIG. 2.
 The broken lines shown represent unclaimed subject matter of the motion assistance apparatus or environments and form no part of the claimed design.

1 Claim, 9 Drawing Sheets



(56)

References Cited

U.S. PATENT DOCUMENTS

7,013,750	B1 *	3/2006	Kazami	B25J 9/08	74/490.03
9,512,912	B1 *	12/2016	Edsinger	F16H 48/12	
9,568,074	B2 *	2/2017	Gosselin	B25J 9/102	
9,849,925	B2 *	12/2017	Outa	B23Q 1/5406	114/338
10,040,206	B2 *	1/2018	Jeong et al.	B25J 9/102	475/223
D810,801	S *	2/2018	Hsu et al.	B25J 9/0009	414/729
10,144,464	B1 *	12/2018	Buerger et al.	B23Q 1/5462	74/479.01
D847,891	S *	5/2019	Kawaguchi	D15/199	
2002/0078778	A1 *	6/2002	Grover	B25J 9/042	74/490.03
2005/0275367	A1 *	12/2005	Buehler	B25J 9/102	318/568.12
2007/0062321	A1 *	3/2007	Chablat	B23Q 1/5462	74/479.01
2009/0308188	A1 *	12/2009	Yang	B25J 9/104	74/89.27
2010/0122602	A1 *	5/2010	Marcroft	B25J 17/0216	74/490.03
2010/0162846	A1 *	7/2010	Lee	B25J 9/1045	74/490.04
2010/0170357	A1 *	7/2010	Kim	B25J 9/102	74/89.32
2011/0048158	A1 *	3/2011	Maisonnier	B25J 17/0275	74/490.03
2011/0056321	A1 *	3/2011	Sim	B25J 9/1025	74/490.04
2011/0067518	A1 *	3/2011	Park	B25J 9/102	74/490.04
2011/0113914	A1 *	5/2011	Zhang	B25J 9/107	74/490.01
2011/0126651	A1 *	6/2011	Pan	B25J 9/102	74/89.2
2011/0137423	A1 *	6/2011	Ouyang	B25J 9/102	623/18.11
2011/0214524	A1 *	9/2011	Jacobsen	A61F 2/68	74/490.04
2011/0314949	A1 *	12/2011	Long	B25J 19/0029	74/490.04
2012/0011956	A1 *	1/2012	Lundberg	B25J 9/04	74/490.03
2012/0048047	A1 *	3/2012	Zhang	B25J 9/046	74/425
2012/0067150	A1 *	3/2012	Zhang	B25J 9/102	74/423
2012/0204670	A1 *	8/2012	Ryland	B08B 9/045	74/490.03
2012/0271207	A1 *	10/2012	Schoen	A61F 5/0102	601/34
2012/0291582	A1 *	11/2012	Kang	B25J 19/0016	74/490.03
2013/0104676	A1 *	5/2013	Yang	B25J 9/06	73/865.8
2013/0282174	A1 *	10/2013	Xi	B25J 9/1682	700/248
2013/0296746	A1 *	11/2013	Herr	A61H 3/00	601/34
2014/0007730	A1 *	1/2014	DeLouis	B25J 15/0009	74/490.03
2014/0123800	A1 *	5/2014	Choi	F16H 48/10	74/490.03
2014/0213409	A1 *	7/2014	Yoon	F16H 1/203	475/343
2015/0114163	A1 *	4/2015	Rosheim	B25J 9/0045	74/490.03
2015/0122071	A1 *	5/2015	Lee	B25J 9/06	74/490.04
2015/0190246	A1 *	7/2015	Ryu	G06F 3/011	74/89.22
2015/0272811	A1 *	10/2015	Choi	B25J 17/00	623/27
2016/0038313	A1 *	2/2016	Kim	B25J 9/102	623/24
2016/0114479	A1 *	4/2016	Rosheim	B25J 9/0075	74/490.03
2016/0288319	A1 *	10/2016	Kfoury	B25J 9/104	
2017/0120453	A1 *	5/2017	Roy	B25J 5/04	
2017/0297197	A1 *	10/2017	King	B25J 9/126	
2017/0319421	A1 *	11/2017	Julin	A61H 3/00	
2017/0348852	A1 *	12/2017	Sarh	B25J 9/106	
2018/0009116	A1 *	1/2018	Jeong et al.	B25J 9/08	74/490.03
2018/0079084	A1 *	3/2018	Woo et al.	B25J 17/0266	403/120
2018/0133894	A1 *	5/2018	Choi et al.	G05G 5/03	74/490.03
2018/0140441	A1 *	5/2018	Poirters	B25J 9/023	74/490.03
2018/0193172	A1 *	7/2018	Smith et al.	F16H 48/12	
2018/0236655	A1 *	8/2018	Nakanishi	B23Q 1/50	198/468.6

* cited by examiner

FIG. 1

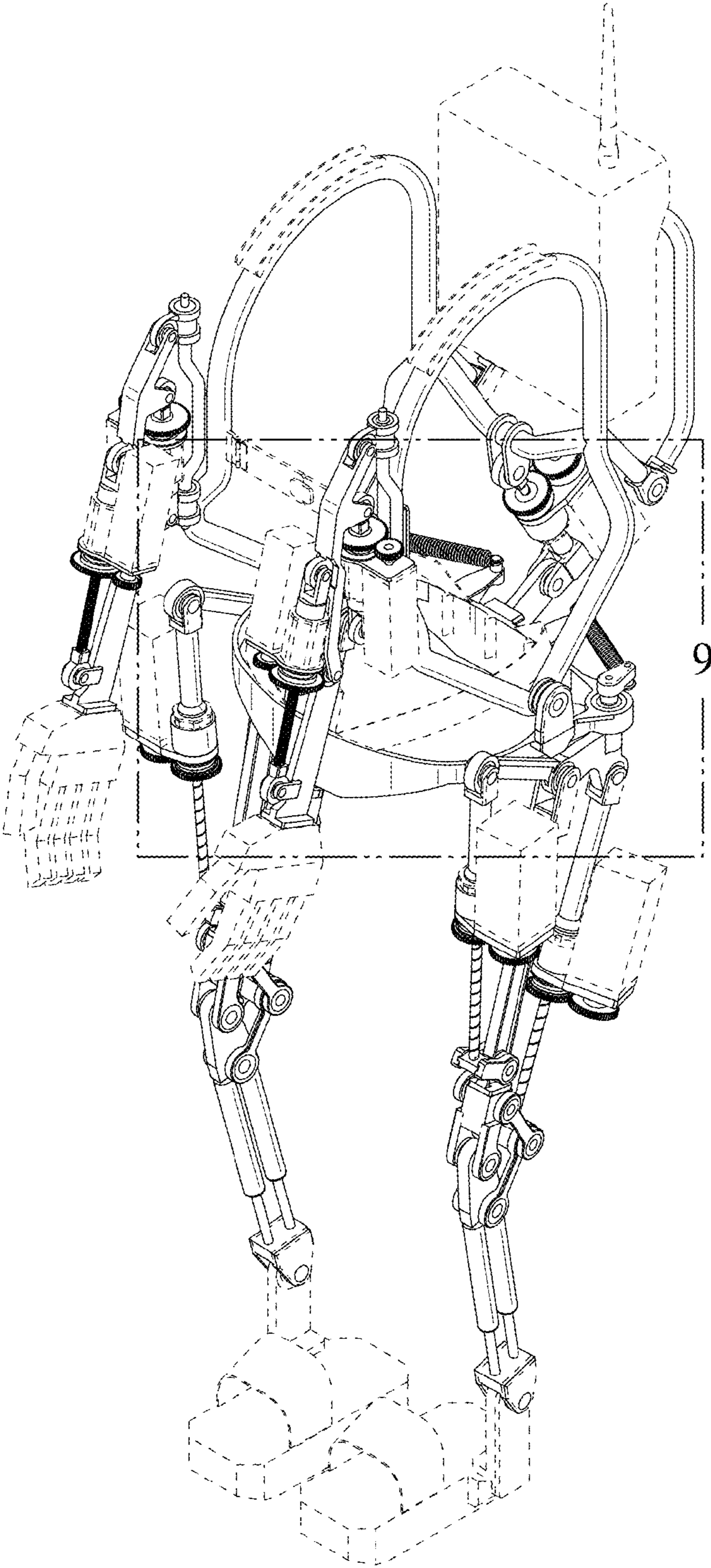


FIG. 2

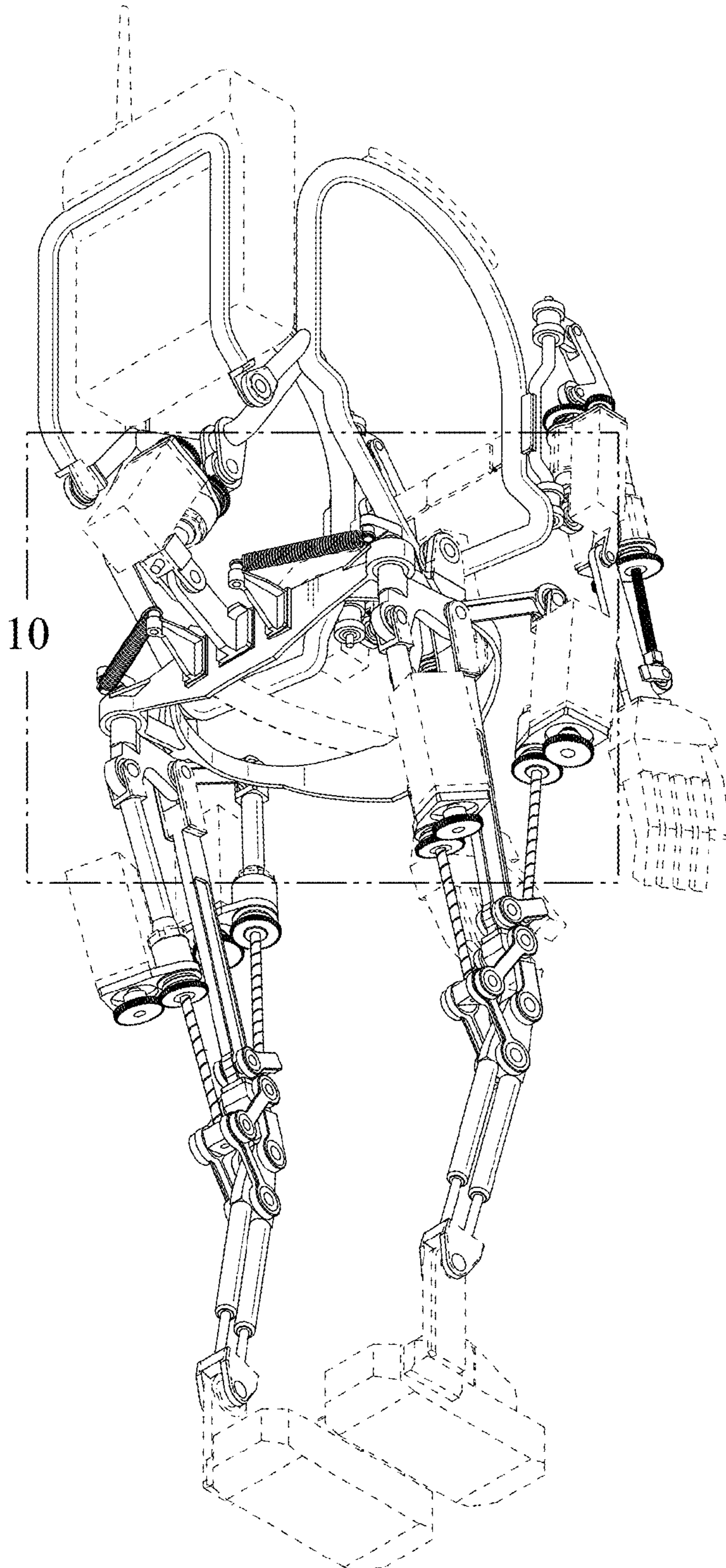


FIG. 3

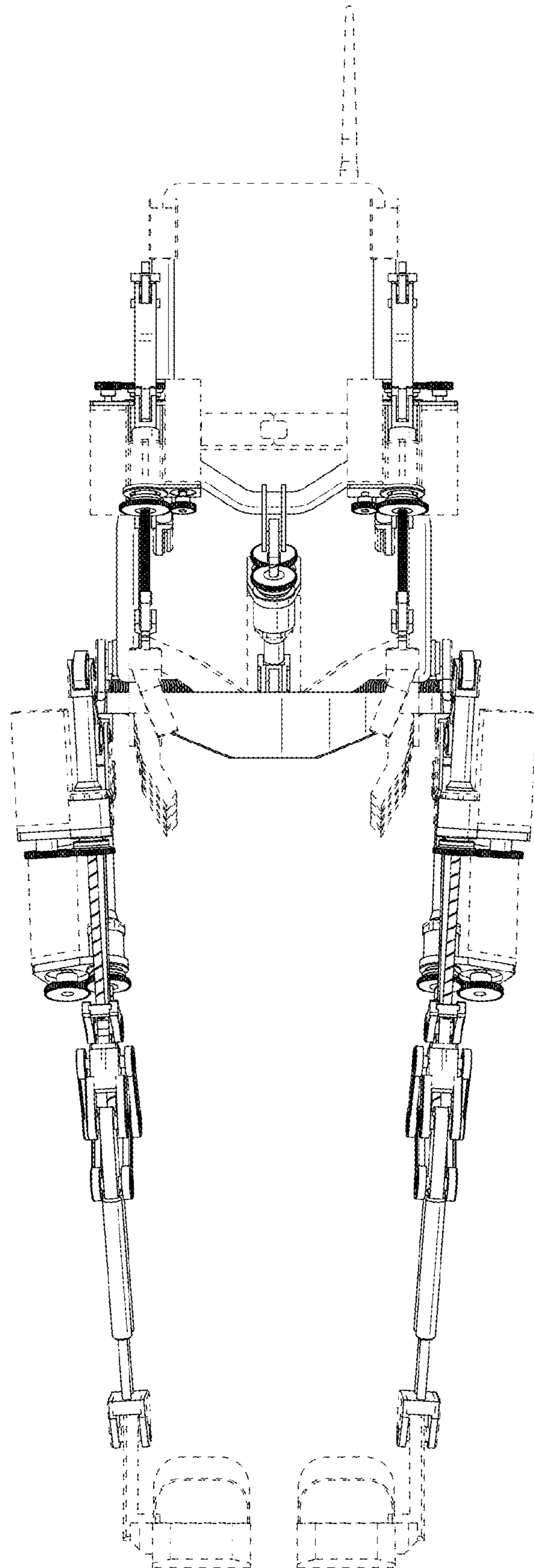


FIG. 4

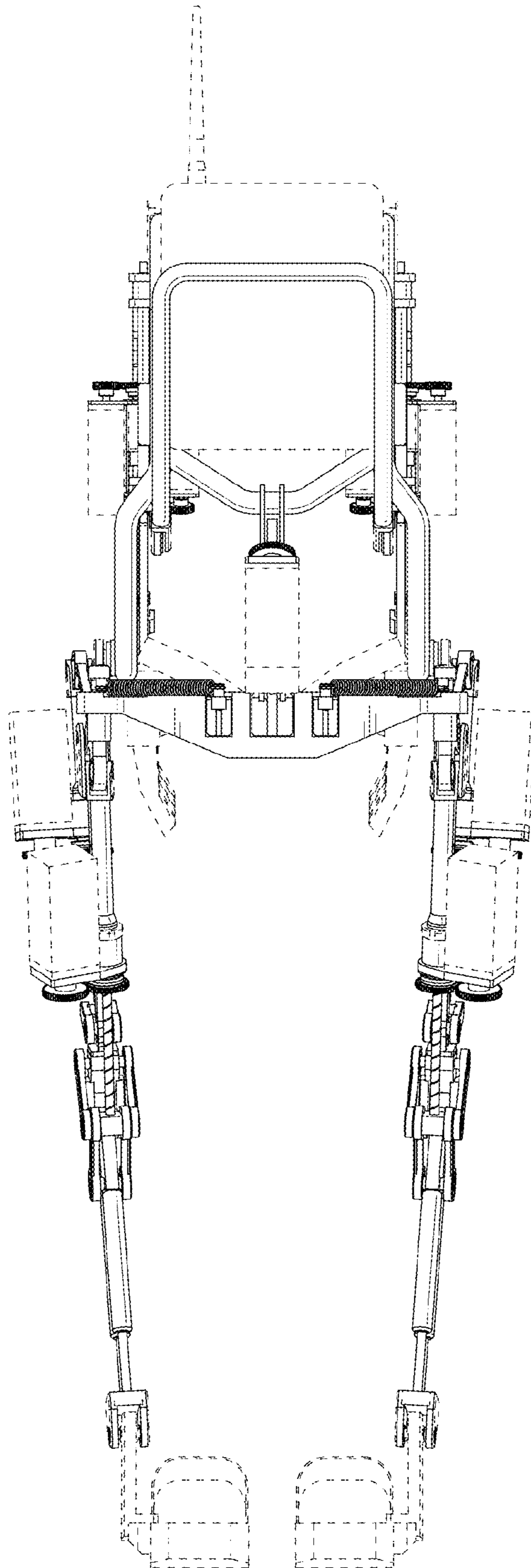


FIG. 5

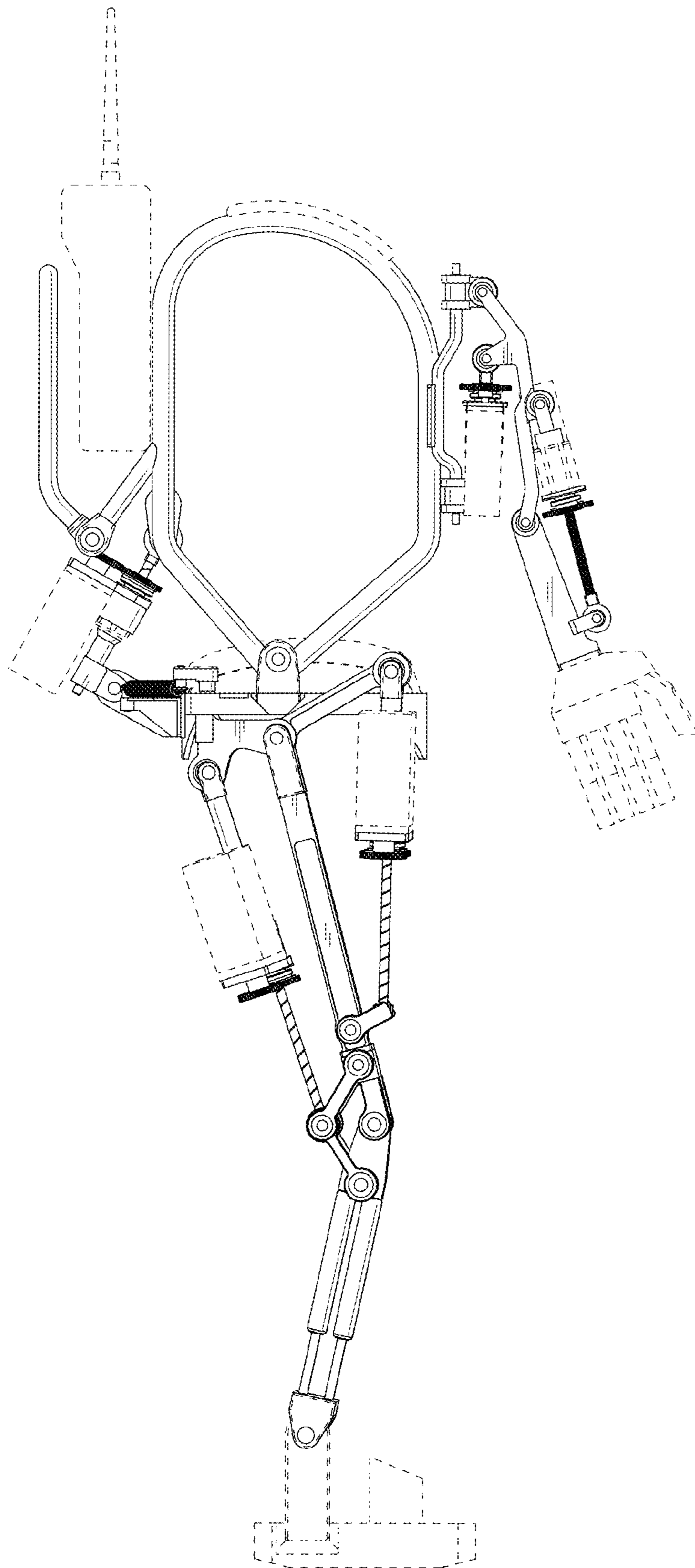


FIG. 6

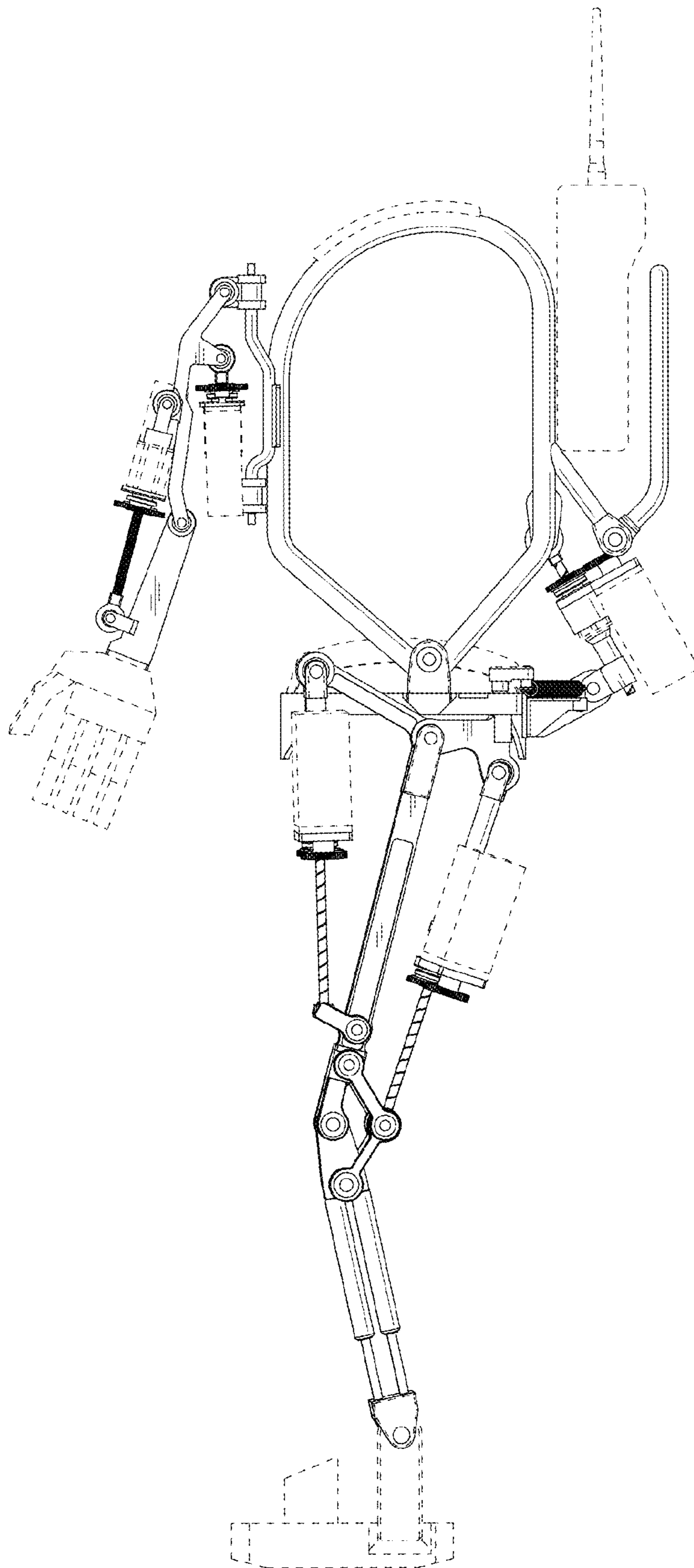


FIG. 7

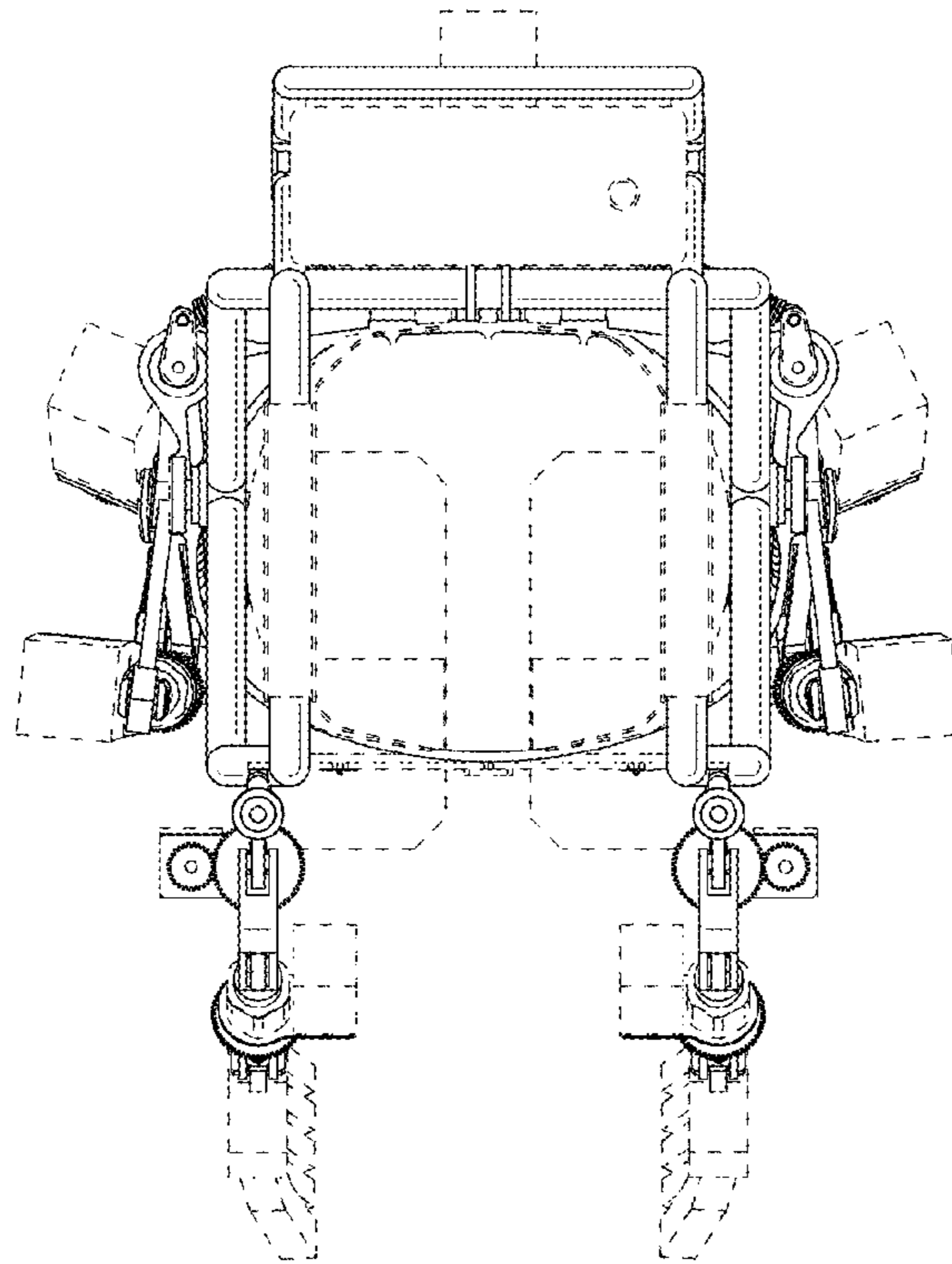


FIG. 8

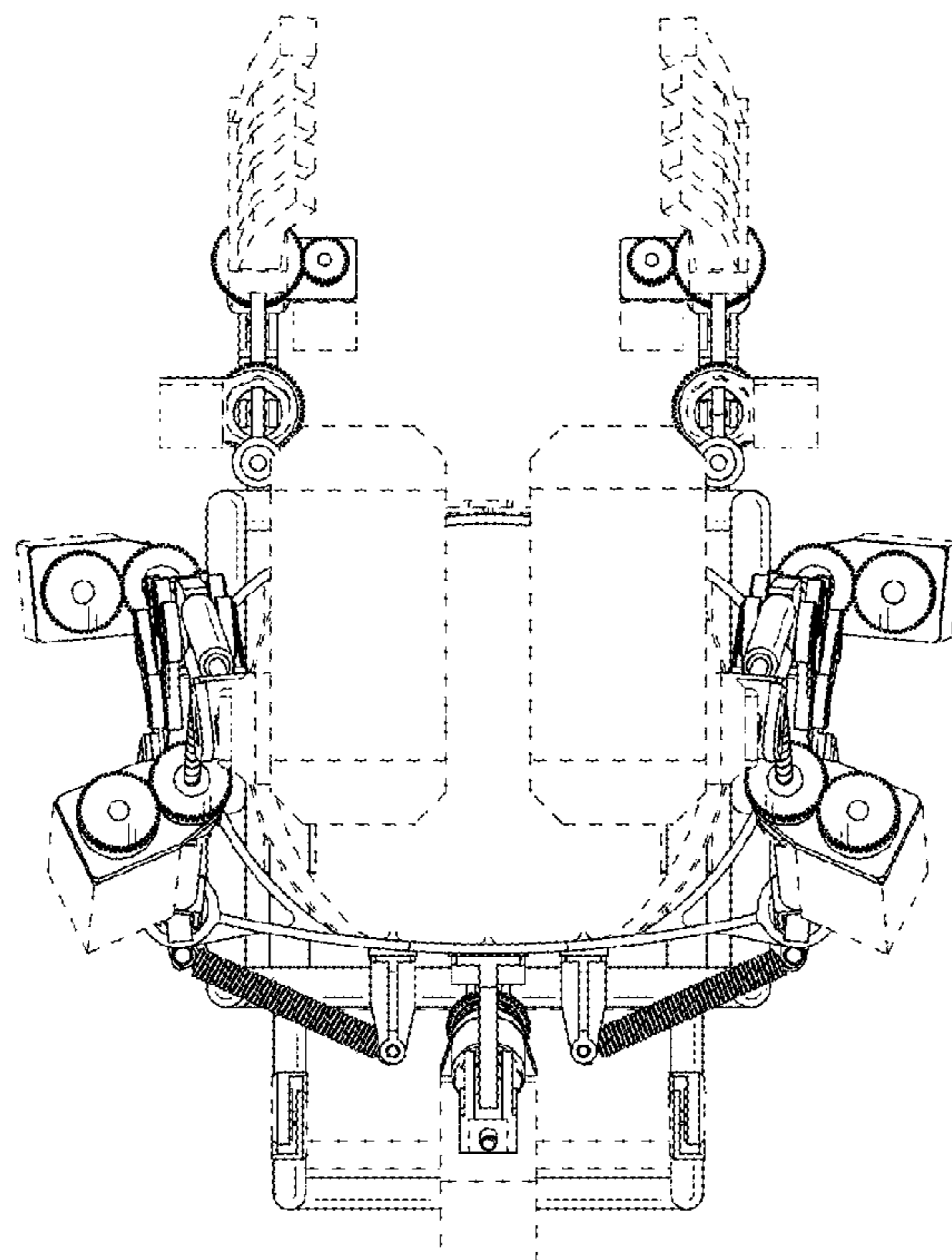


FIG. 9

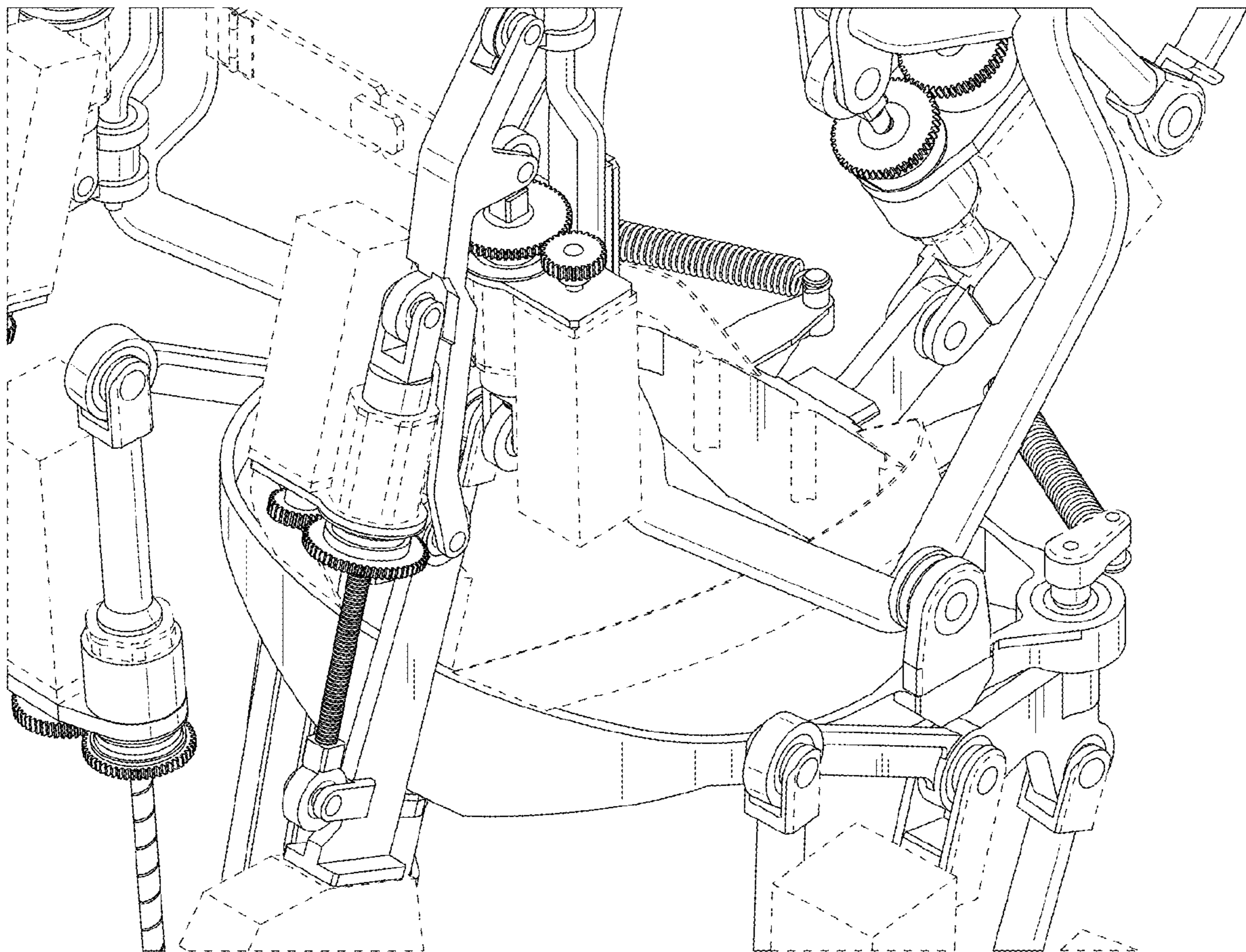


FIG. 10

