

US00D891489S

(12) **United States Design Patent** (10) **Patent No.:** **US D891,489 S**  
**Kim et al.** (45) **Date of Patent:** **\*\* Jul. 28, 2020**

(54) **REFRIGERATOR**

(71) Applicant: **LG ELECTRONICS INC.**, Seoul (KR)

(72) Inventors: **Sanghun Kim**, Seoul (KR); **Yong Kim**, Seoul (KR); **Jinhee Park**, Seoul (KR); **Daesung Lee**, Seoul (KR); **Kyukwan Choi**, Seoul (KR)

(73) Assignee: **LG Electronics Inc.**, Seoul (KR)

(\*\*) Term: **15 Years**

(21) Appl. No.: **35/506,508**

(22) Filed: **Aug. 14, 2018**

(80) **Hague Agreement Data**

Int. Filing Date: **Aug. 14, 2018**  
Int. Reg. No.: **DM/102655**  
Int. Reg. Date: **Aug. 14, 2018**  
Int. Reg. Pub. Date: **Feb. 15, 2019**

(30) **Foreign Application Priority Data**

Feb. 14, 2018 (KR) ..... 30-2018-0008165

(51) **LOC (12) Cl.** ..... **15-07**

(52) **U.S. Cl.**  
USPC ..... **D15/90**

(58) **Field of Classification Search**  
USPC ..... D15/79-91  
CPC ..... F25D 25/025; F25D 23/028; F25D 2323/024; F25D 23/00; F25D 23/02; F25D 2323/021; F25D 23/065; F25D 11/00; F25D 2201/14; F25D 23/021; F25D 23/025; F25D 23/04; F25D 27/00; F25D 23/062; F25D

(Continued)

(56) **References Cited**

U.S. PATENT DOCUMENTS

D615,565 S \* 5/2010 Kristiansen ..... D15/86  
D629,022 S \* 12/2010 Cho ..... D15/85

(Continued)

*Primary Examiner* — Richard E Chilcot

(74) *Attorney, Agent, or Firm* — Birch, Stewart, Kolasch & Birch, LLP

(57) **CLAIM**

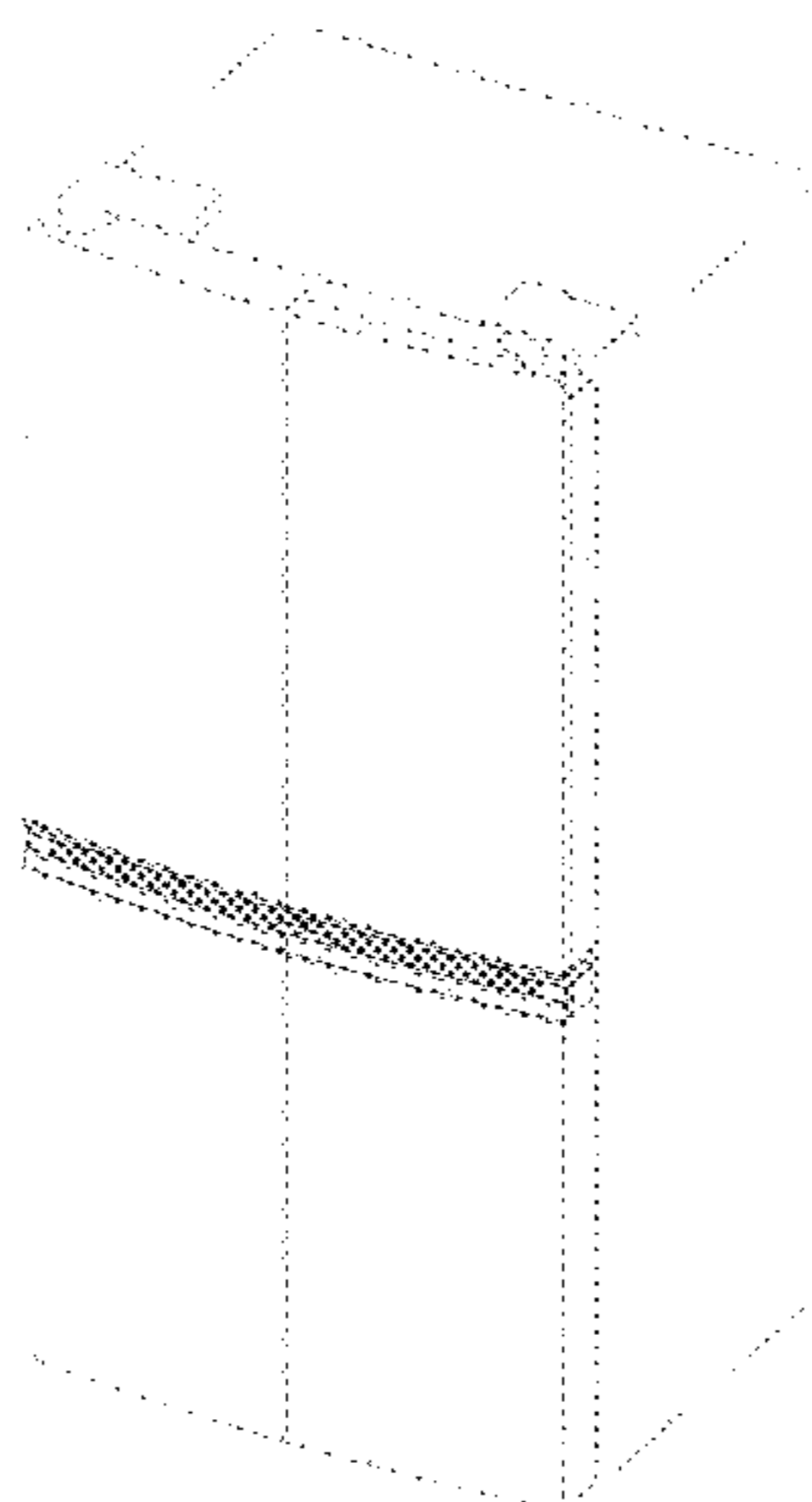
The ornamental design for a refrigerator, as shown and described.

**DESCRIPTION**

- 1. Refrigerator
- 1.1 : Perspective
- 1.2 : Perspective view 2
- 1.3 : Perspective view 3
- 1.4 : Perspective view 4
- 1.5 : Front
- 1.6 : Back
- 1.7 : Left
- 1.8 : Right
- 1.9 : Top
- 1.10 : Bottom
- 1.11 : Perspective view 5
- 1.12 : Perspective view 6

The broken lines depict portions of the refrigerator that form no part of the claimed design; the dash-dot broken lines define the boundary of the claimed design and form no part thereof; reproduction 1.1 is a top right perspective view of the refrigerator; reproduction 1.2 is a top left perspective view thereof; reproduction 1.3 is a bottom right perspective view thereof; reproduction 1.4 is a bottom left perspective view thereof; reproductions 1.5 to 1.10 are the front, back, left, right, top and bottom views thereof; reproduction 1.11 is a perspective view showing the handle at the lower part of

(Continued)



the refrigerator by removing the upper part of the refrigerator; reproduction 1.12 is a perspective view showing the handle at the upper part of the refrigerator by removing the lower part of the refrigerator; this design is for refrigerator having recessed shape handles, and the inside of the handle at the lower part is transparent.

**1 Claim, 12 Drawing Sheets**

- (52) **U.S. Cl.**  
CPC ..... *F25D 25/025* (2013.01)
- (58) **Field of Classification Search**  
CPC .... 23/067; F25D 2400/18; F25D 23/08; F25D 23/085; F25D 2500/02; F25D 25/00; F25D 25/005; F25D 25/022; F25D 25/024; F25D 17/047; F25D 2317/041; F25D 2317/04131; F25D 2317/043; F25D

2317/0664; F25D 2321/147; F25D 2323/02; F25D 2323/023

See application file for complete search history.

(56)

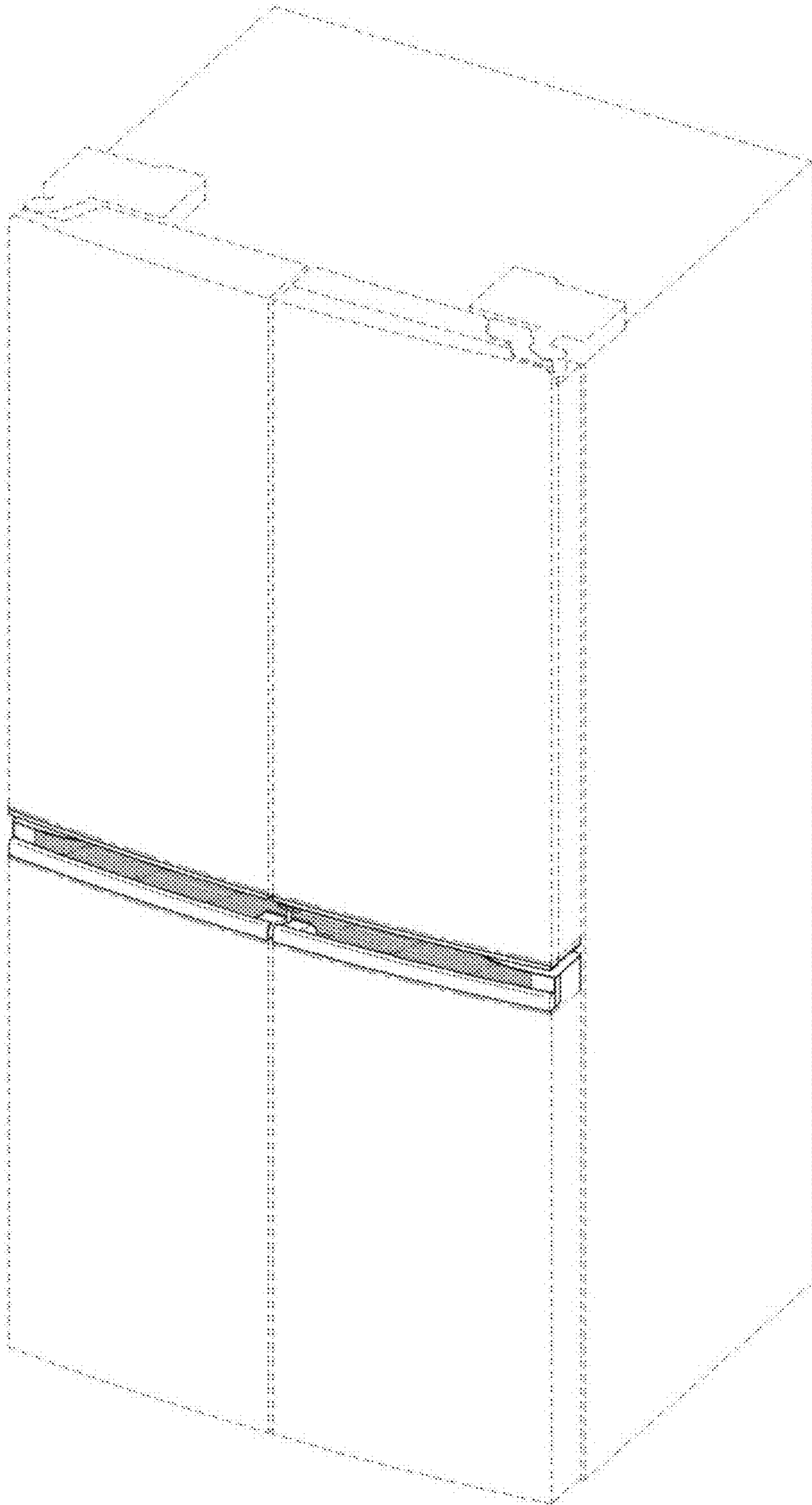
**References Cited**

U.S. PATENT DOCUMENTS

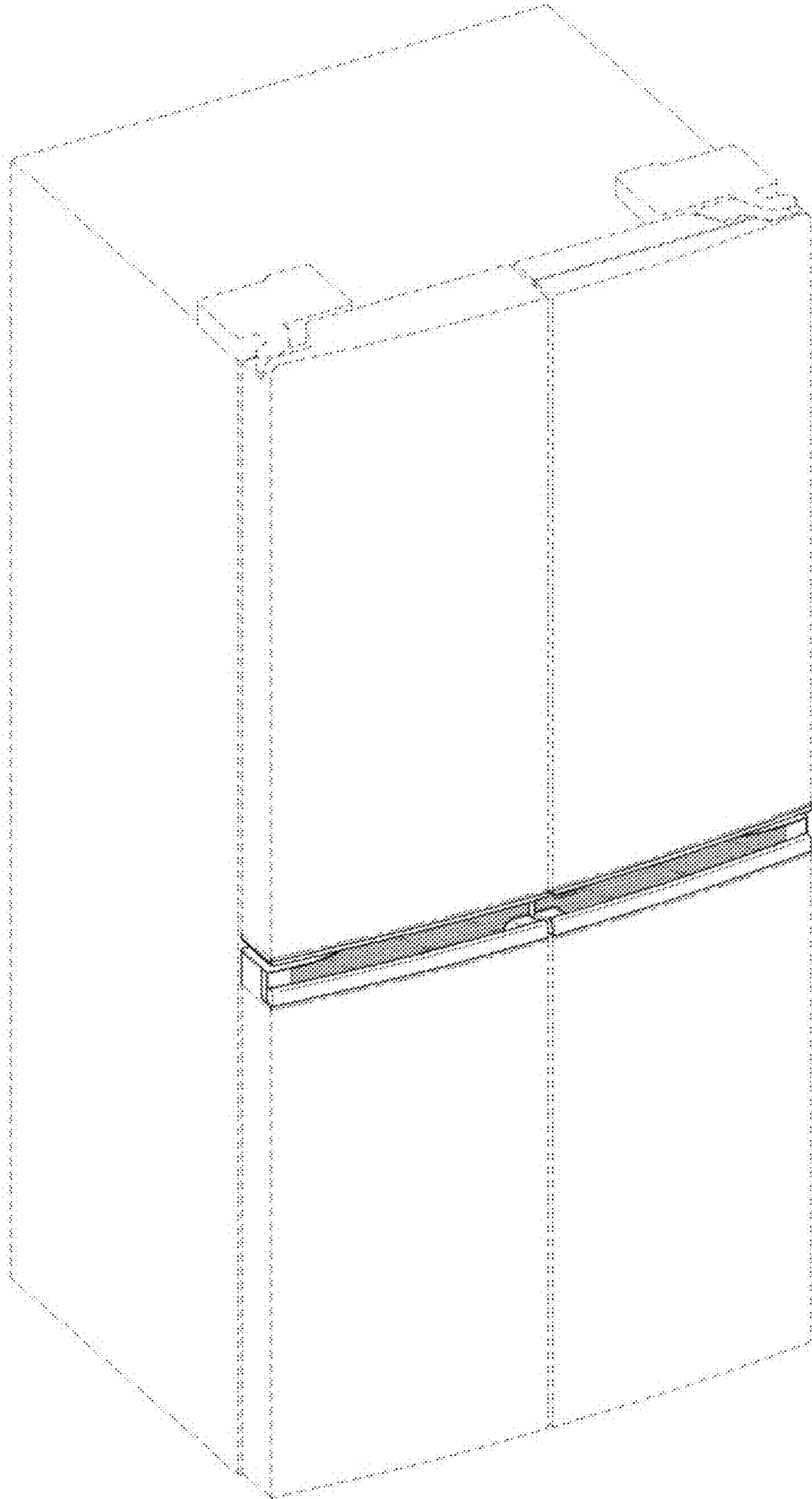
|          |   |   |         |           |       |        |
|----------|---|---|---------|-----------|-------|--------|
| D656,967 | S | * | 4/2012  | Yi        | ..... | D15/86 |
| D673,189 | S | * | 12/2012 | Kwak      | ..... | D15/86 |
| D681,075 | S | * | 4/2013  | Yi        | ..... | D15/86 |
| D691,644 | S | * | 10/2013 | Cho       | ..... | D15/86 |
| D701,539 | S | * | 3/2014  | Saejin    | ..... | D15/85 |
| D702,739 | S | * | 4/2014  | Kim       | ..... | D15/86 |
| D724,629 | S | * | 3/2015  | Choi      | ..... | D15/85 |
| D729,286 | S | * | 5/2015  | Kwak      | ..... | D15/85 |
| D732,584 | S | * | 6/2015  | Sin       | ..... | D15/86 |
| D742,434 | S | * | 11/2015 | Yeo       | ..... | D15/86 |
| D767,648 | S | * | 9/2016  | Shoemaker | ..... | D15/86 |
| D826,998 | S | * | 8/2018  | Lee       | ..... | D15/91 |

\* cited by examiner

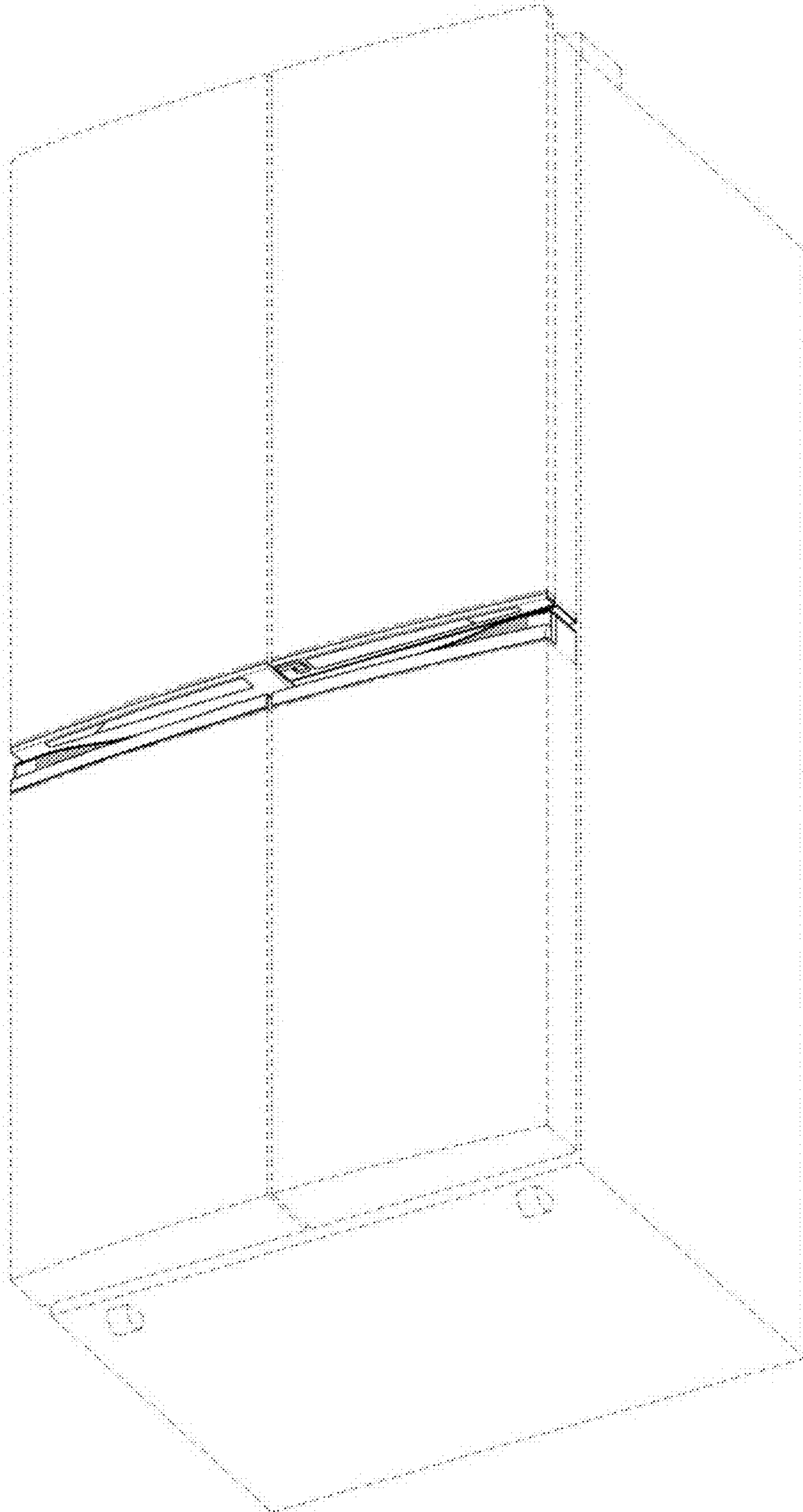
1.1



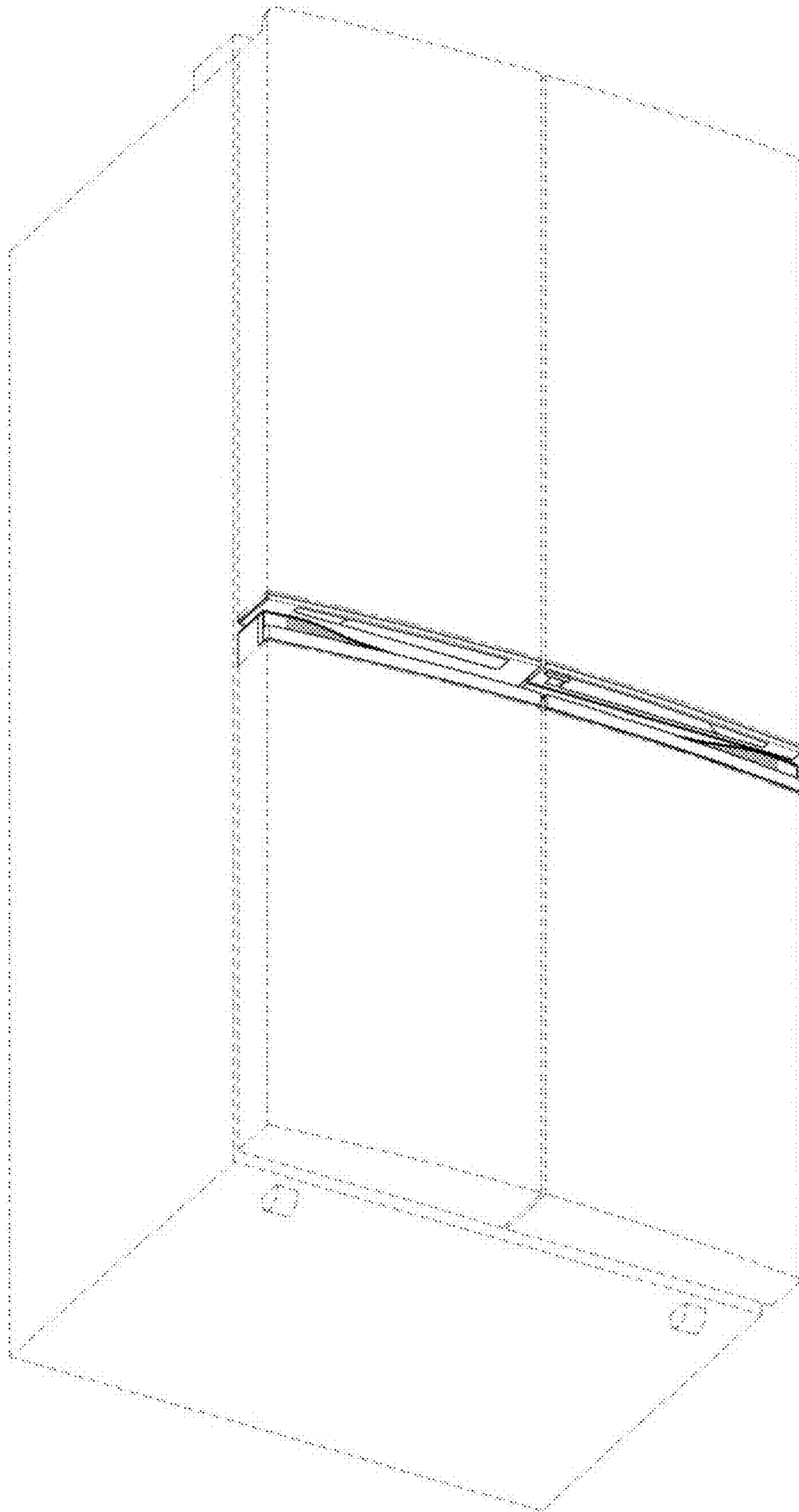
1.2



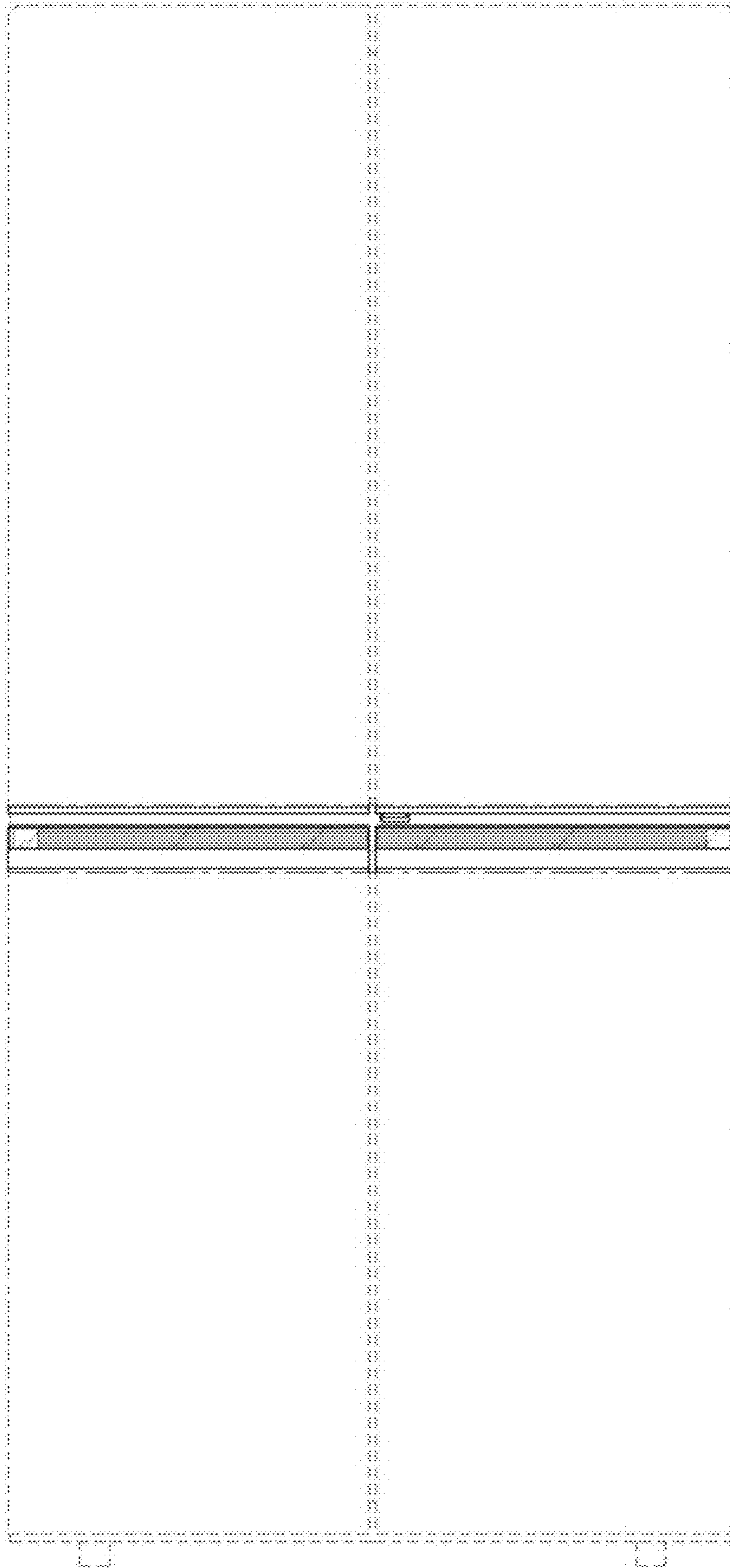
1.3



1.4



1.5

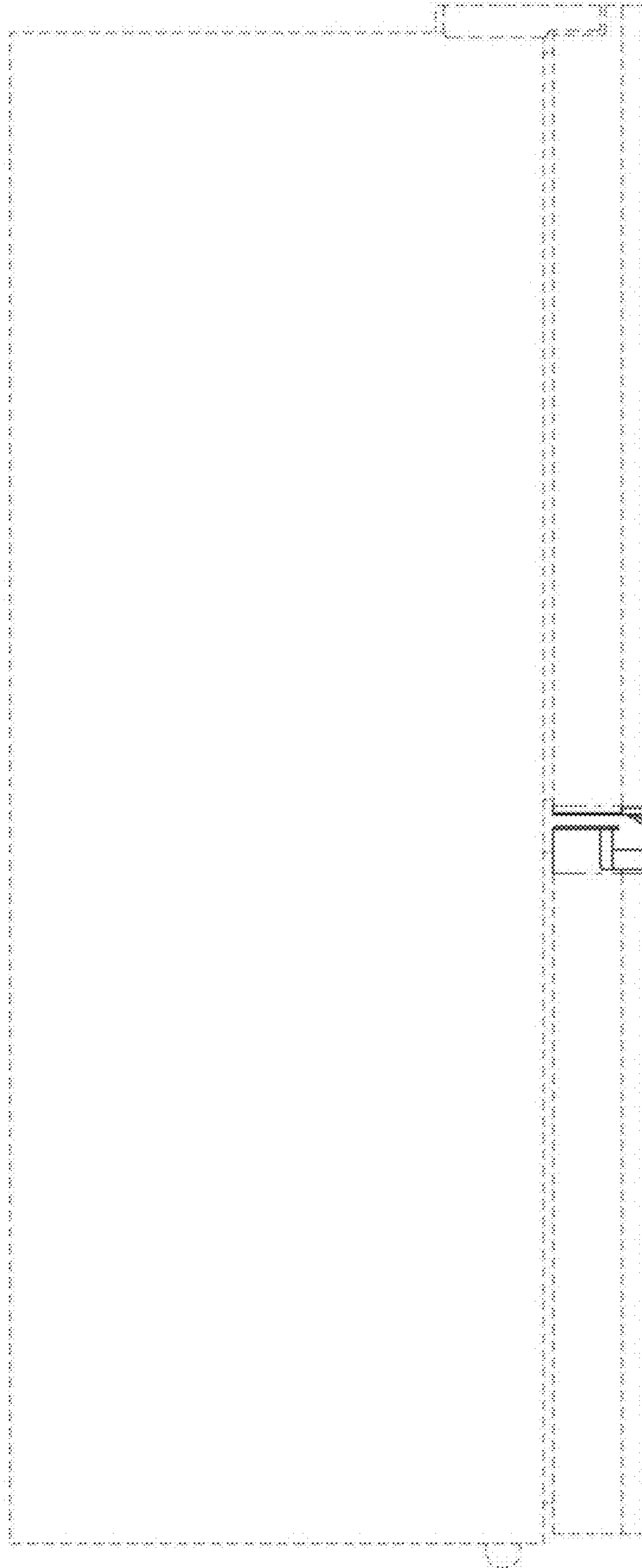


1.6

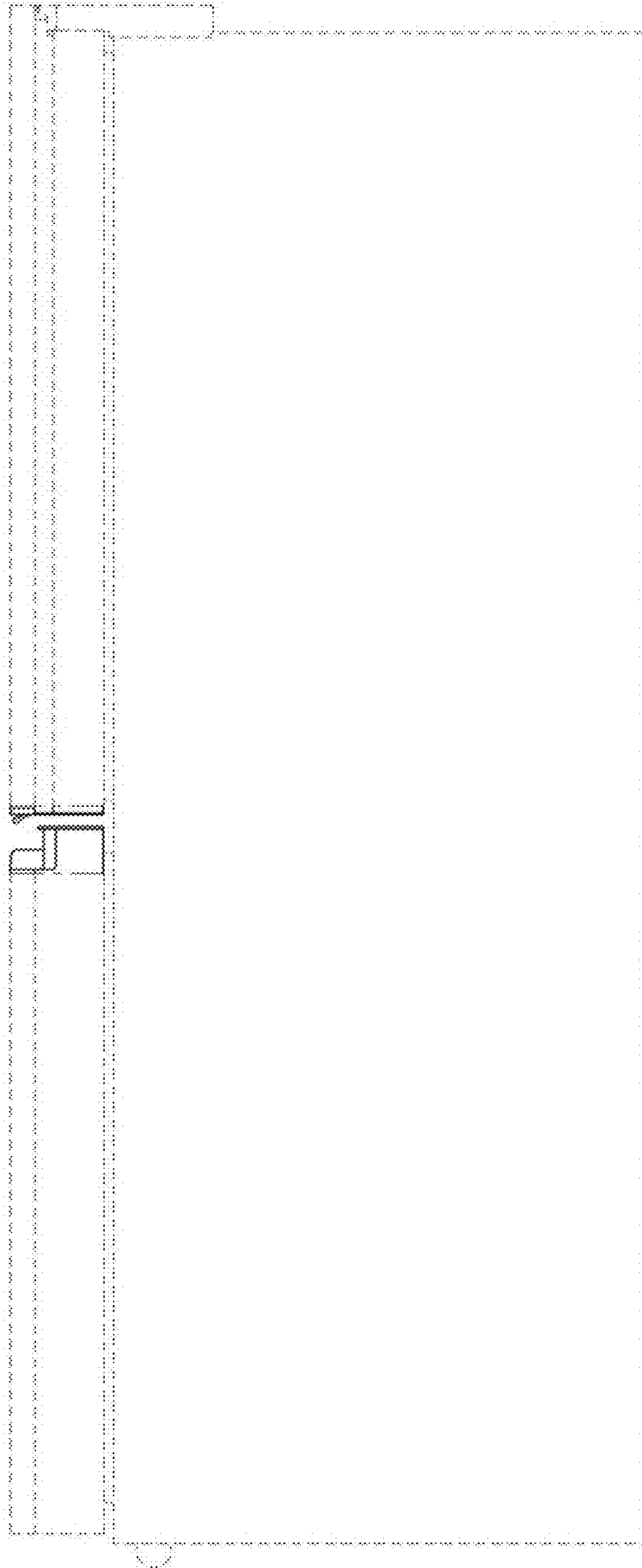




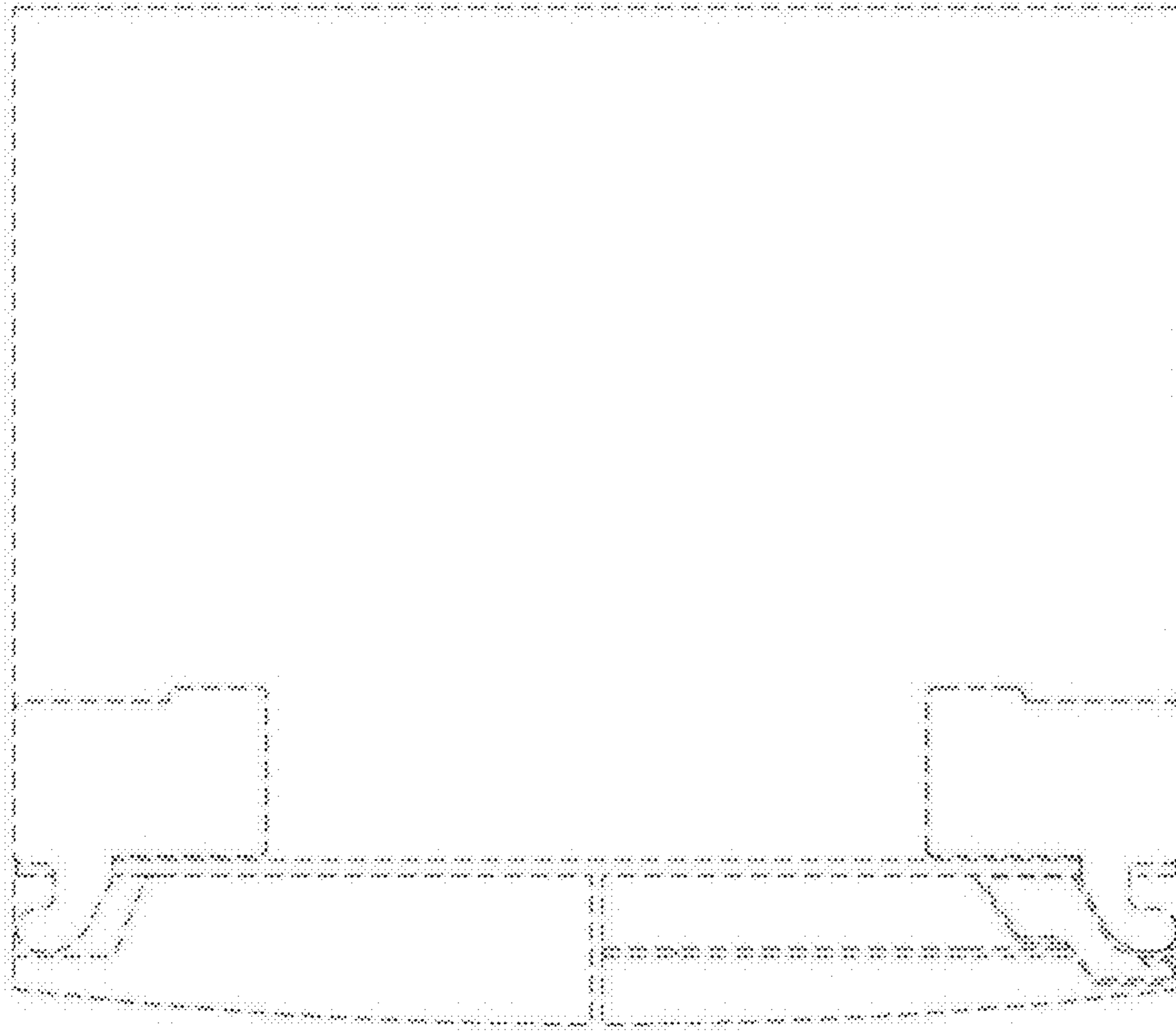
1.7



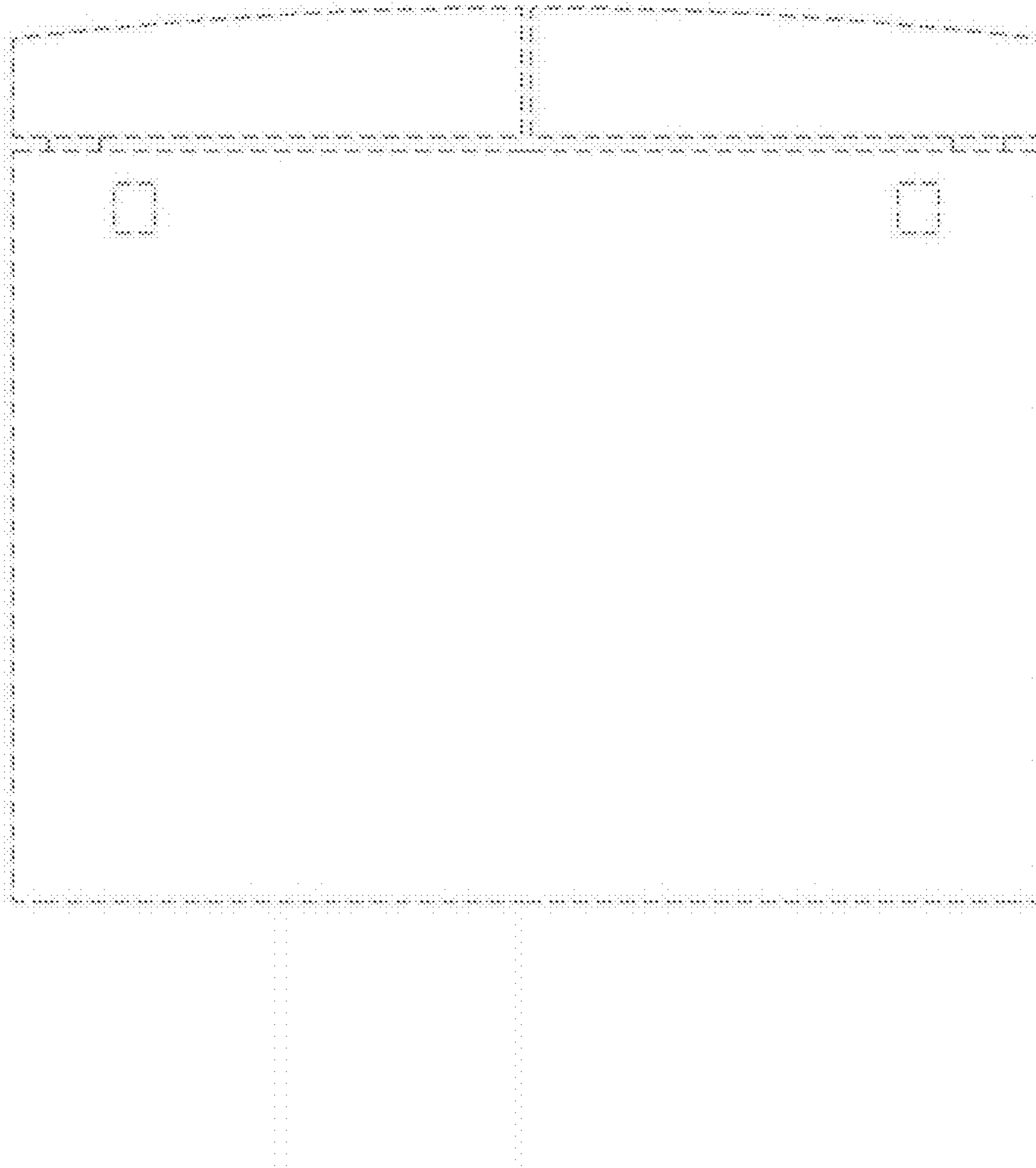
1.8



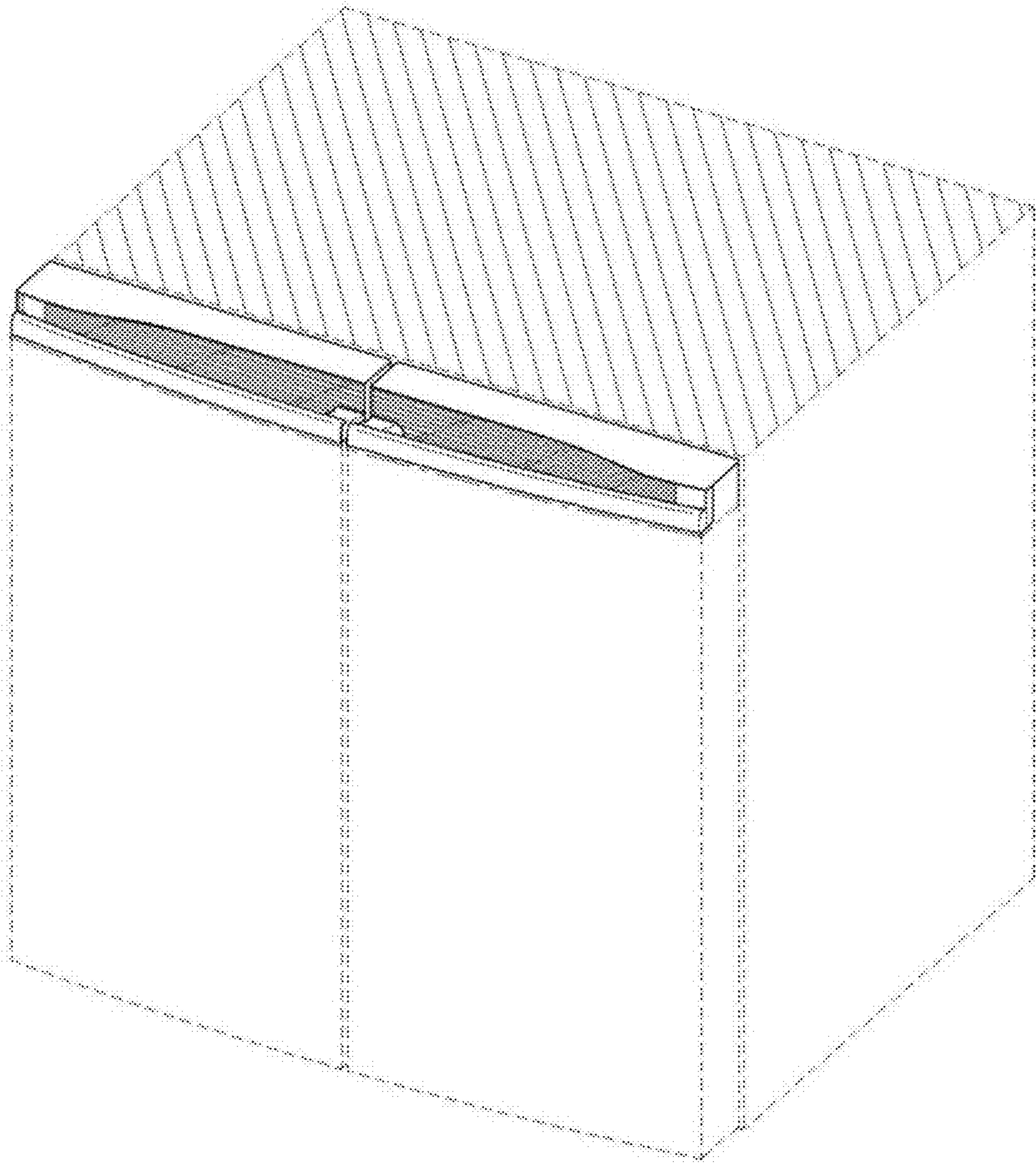
1.9



**1.10**



**1.11**



1.12

