

US00D891488S

(12) **United States Design Patent** (10) **Patent No.:** **US D891,488 S**
McKee et al. (45) **Date of Patent:** **** Jul. 28, 2020**

(54) **REFRIGERATING DIAPER RECEPTACLE**

(71) Applicant: **Austin McKee**

(72) Inventors: **Austin McKee**, Denver, CO (US); **Eric M Sia**, Ballwin, MO (US)

(**) Term: **15 Years**

(21) Appl. No.: **29/683,429**

(22) Filed: **Mar. 13, 2019**

(51) **LOC (12) Cl.** **15-07**

(52) **U.S. Cl.**
USPC **D15/79**

(58) **Field of Classification Search**

USPC D15/79-91; D34/1, 5, 6, 8, 9, 11, 19, 27
CPC F25D 17/065; F25D 23/04; F25D 23/02;
F25D 23/126; F25D 2400/06; F25D
2317/061; F25D 23/028; F25D 25/025;
F25D 2317/0666; F25D 29/00; F25D
11/02; F25D 11/022; F25D 2317/067;
F25D 2400/40; F25D 2317/04131; F25D
2317/043; F25D 2317/0651; F25D
2317/0664; F25D 2317/0681; F25D
2317/0683; F25D 2323/00264; F25D
2323/121; F25D 2323/122; F25D
2325/022; F25D 23/00; F25D 23/021;
F25D 23/064; F25D 23/067; F25D
2323/024; F25D 2323/021; F25D 23/065;
F25D 11/00; F25D 2201/14; F25D
23/025; F25D 27/00; F25D 23/062; F25D
2400/18; B65D 33/14; B65D 33/28;
B65D 75/008; B65D 75/525; B65D
75/5811; B65D 75/5855; B65D 75/5866;
B65D 83/0072; B65D 83/04; B65D 88/76

See application file for complete search history.

(56) **References Cited**

U.S. PATENT DOCUMENTS

D344,962 S * 3/1994 Colman D15/79
D644,390 S * 8/2011 Smeets D34/7

D793,457 S * 8/2017 Kim D15/79
D837,473 S * 1/2019 Magnuson D34/9
D853,067 S * 7/2019 Chen D34/9
D860,570 S * 9/2019 Chen D34/7
D872,958 S * 1/2020 Chen D34/7
D872,959 S * 1/2020 Chen D34/7
D877,441 S * 3/2020 Zhou D34/9
D882,903 S * 4/2020 Chen D34/9
2009/0230131 A1 * 9/2009 McDuffie B65F 1/1607
220/495.06

* cited by examiner

Primary Examiner — Khawaja Anwar

(74) *Attorney, Agent, or Firm* — Leyendecker & Lemire, LLC

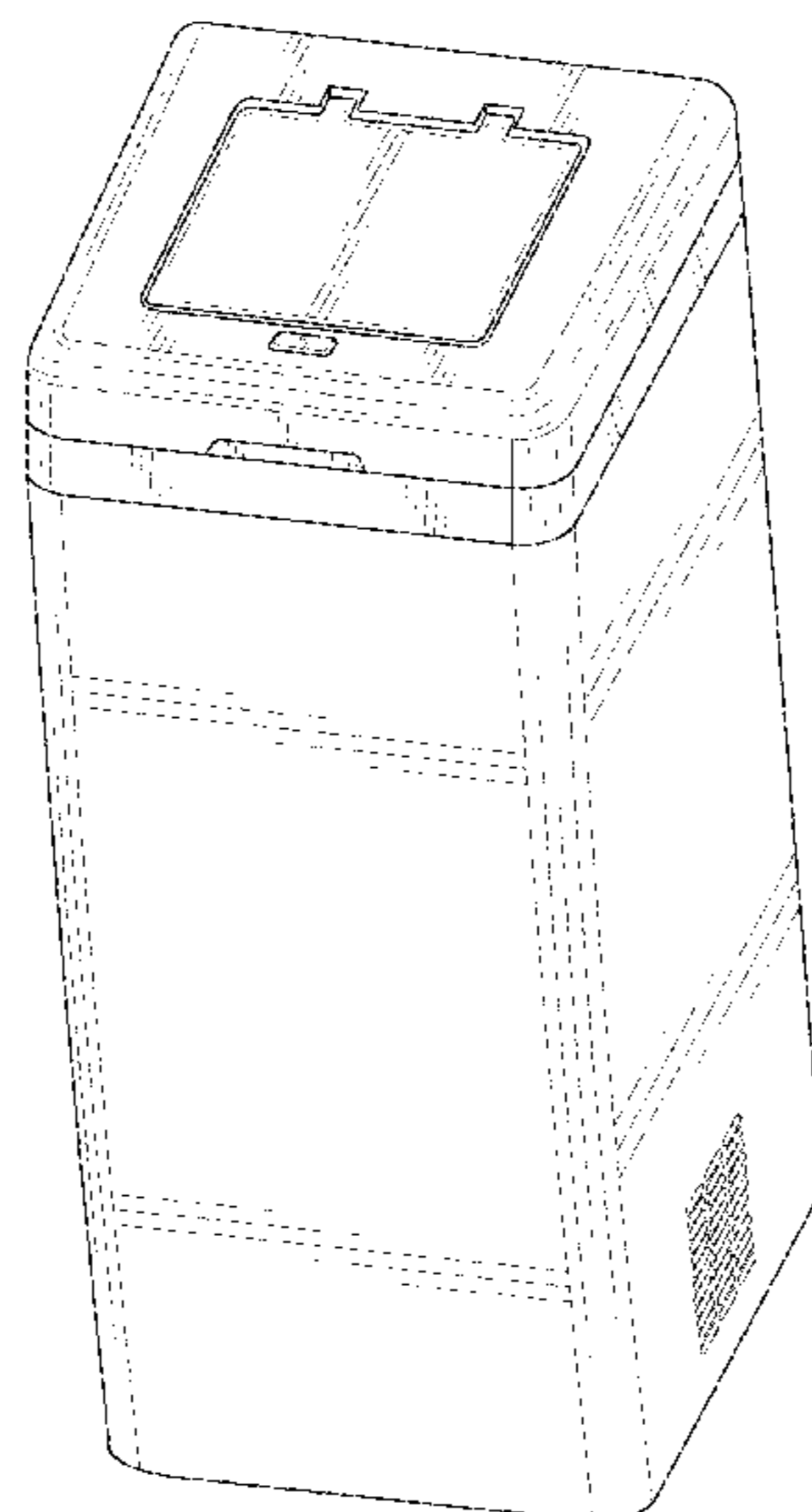
(57) **CLAIM**

The ornamental design for a refrigerating diaper receptacle, as shown and described.

DESCRIPTION

FIG. 1 is a perspective view of a refrigerating diaper receptacle according to the present invention.
FIG. 2 is a front side view of the refrigerating diaper receptacle according to the present invention.
FIG. 3 is a right side view of the refrigerating diaper receptacle according to the present invention.
FIG. 4 is a left side view of the refrigerating diaper receptacle according to the present invention.
FIG. 5 is a top side view of the refrigerating diaper receptacle according to the present invention.
FIG. 6 is a bottom side view of the refrigerating diaper receptacle according to the present invention; and,
FIG. 7 is a back side view of the refrigerating diaper receptacle according to the present invention.
The broken lines as shown for the vents in FIGS. 3 & 4, and the features shown in FIGS. 6 & 7 represent environment and form no parts of the claimed design.

1 Claim, 7 Drawing Sheets



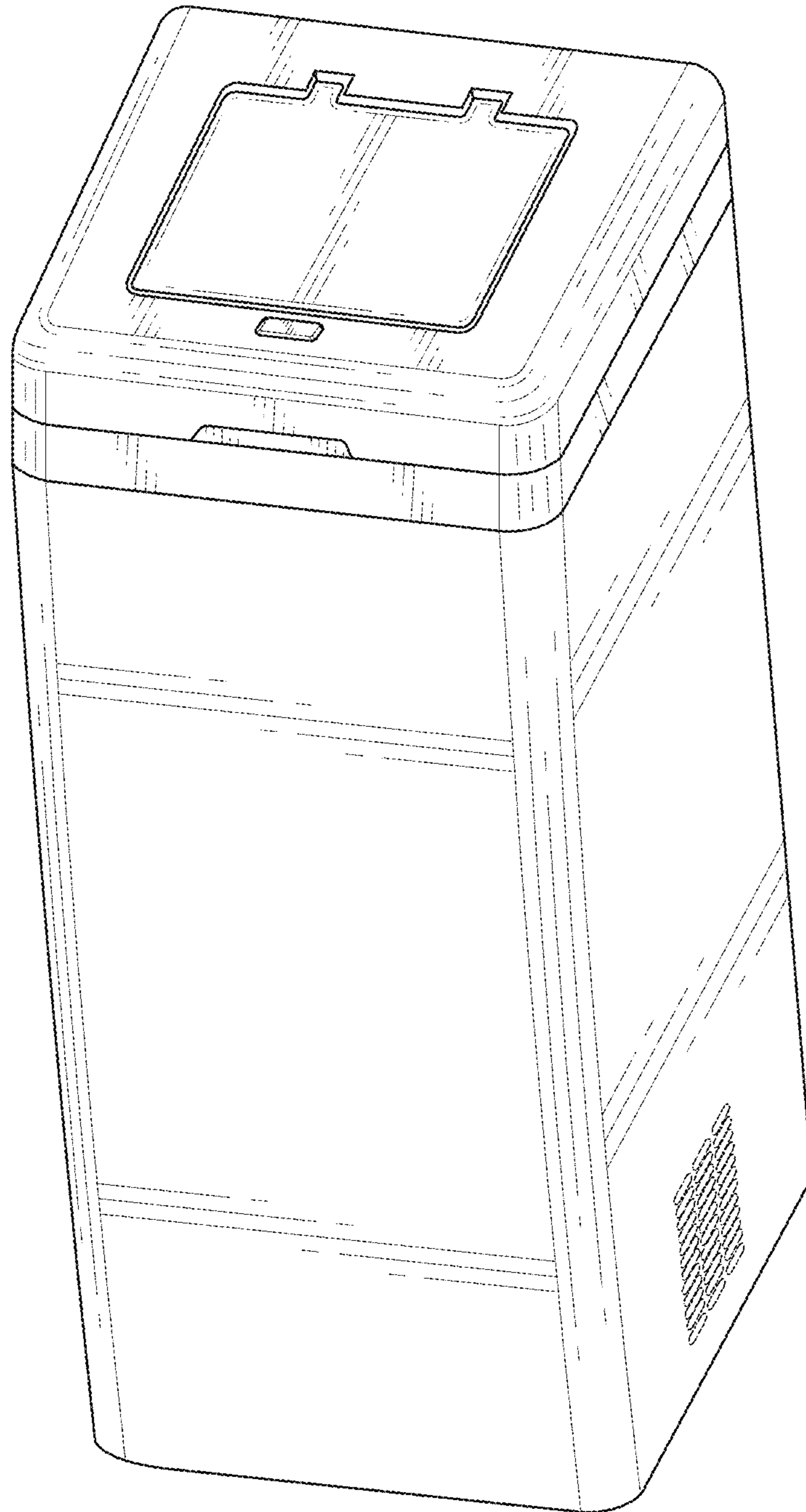


FIG. 1

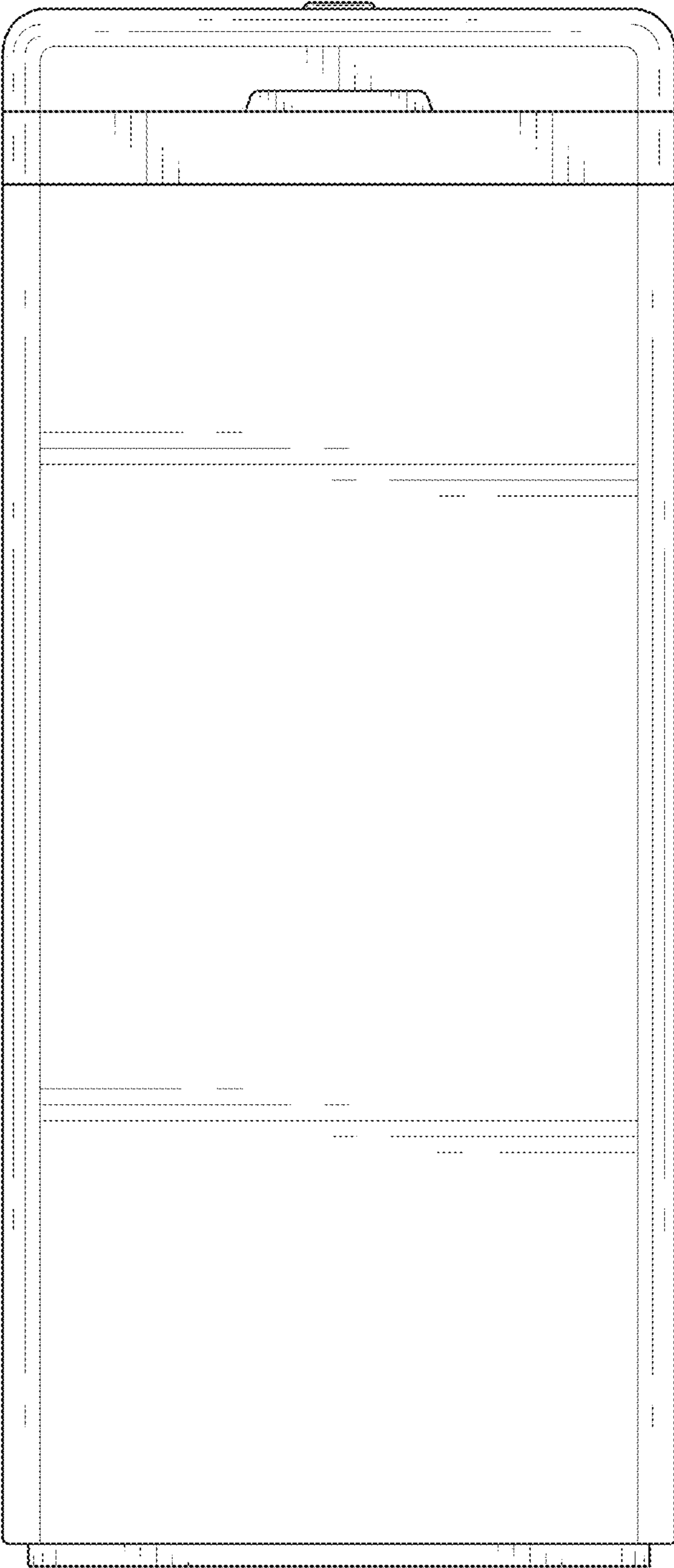


FIG. 2

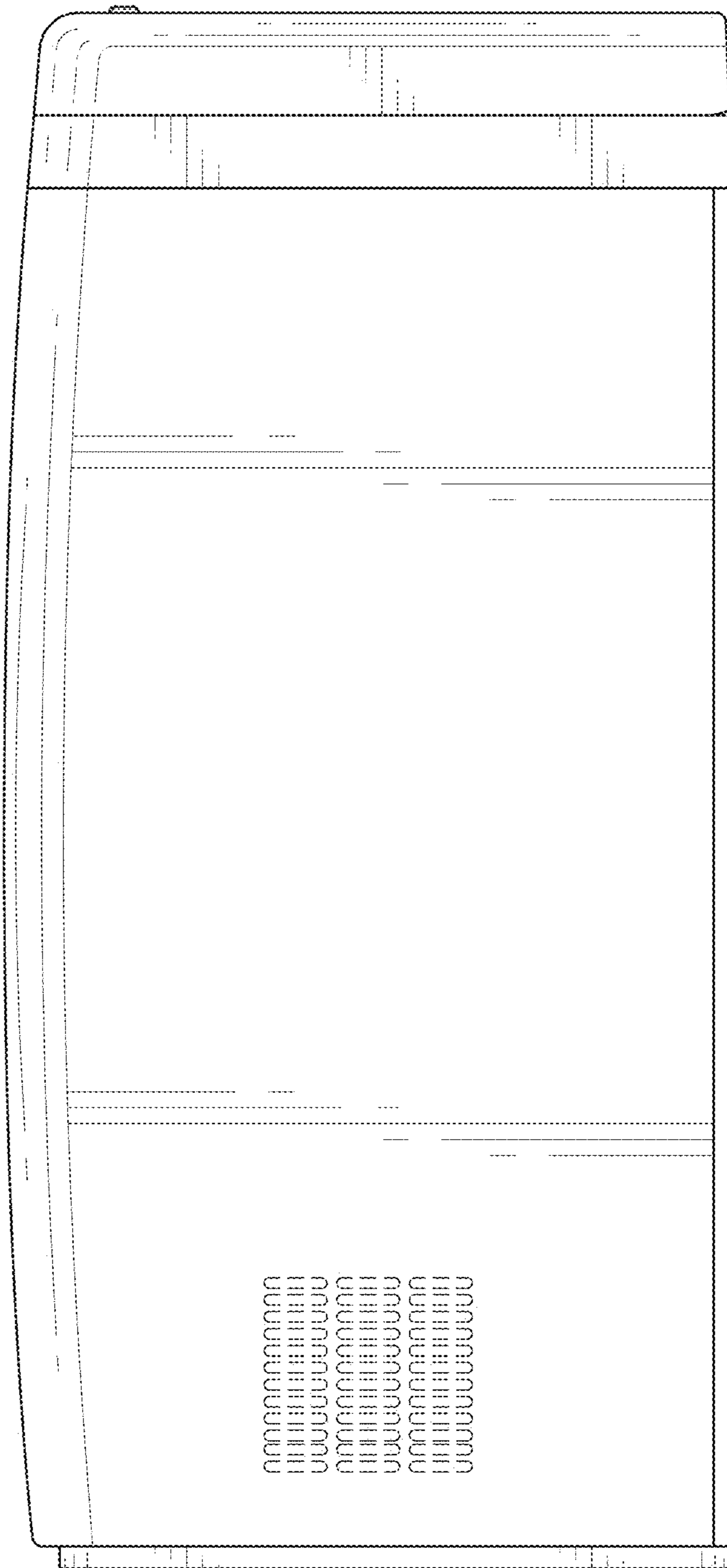


FIG. 3

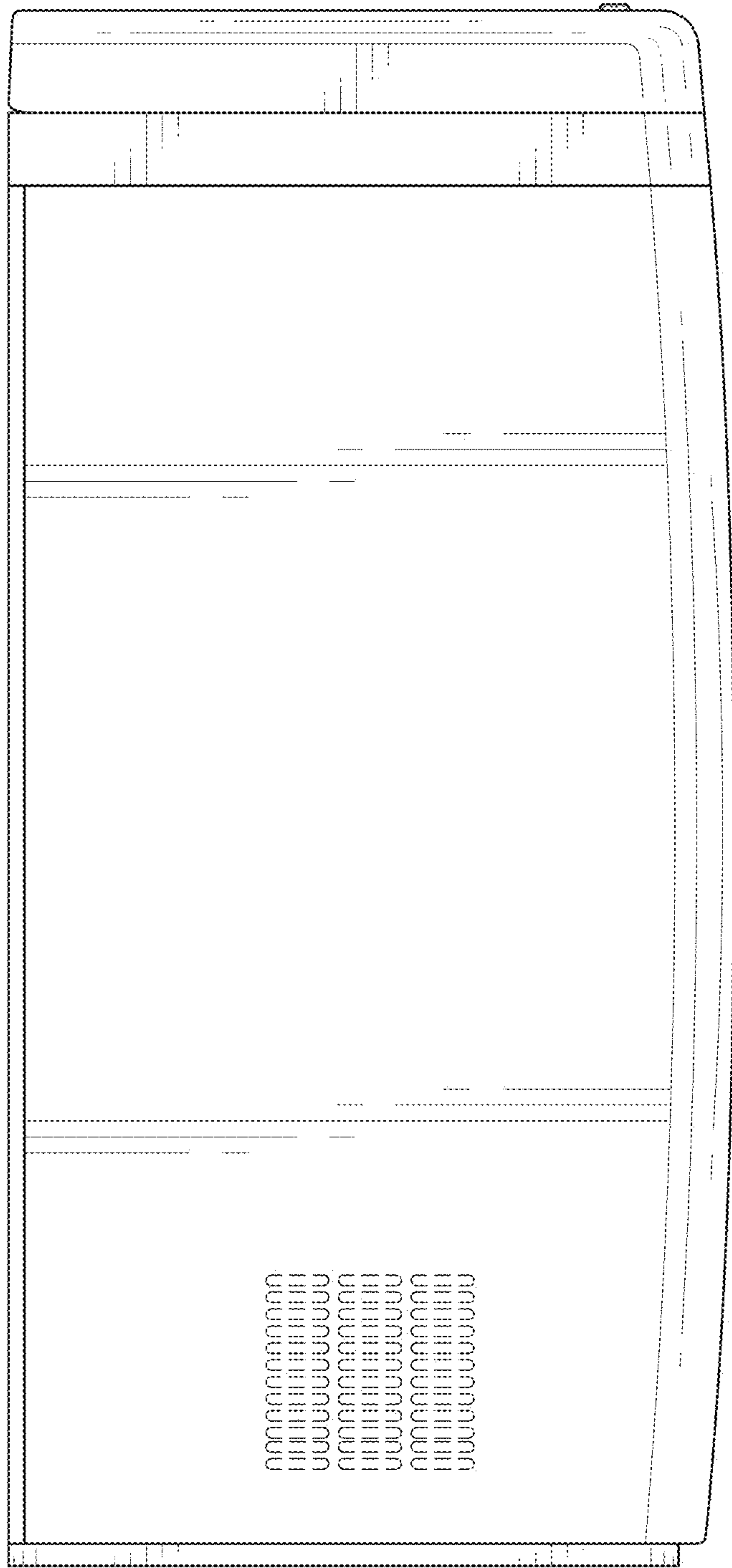


FIG. 4

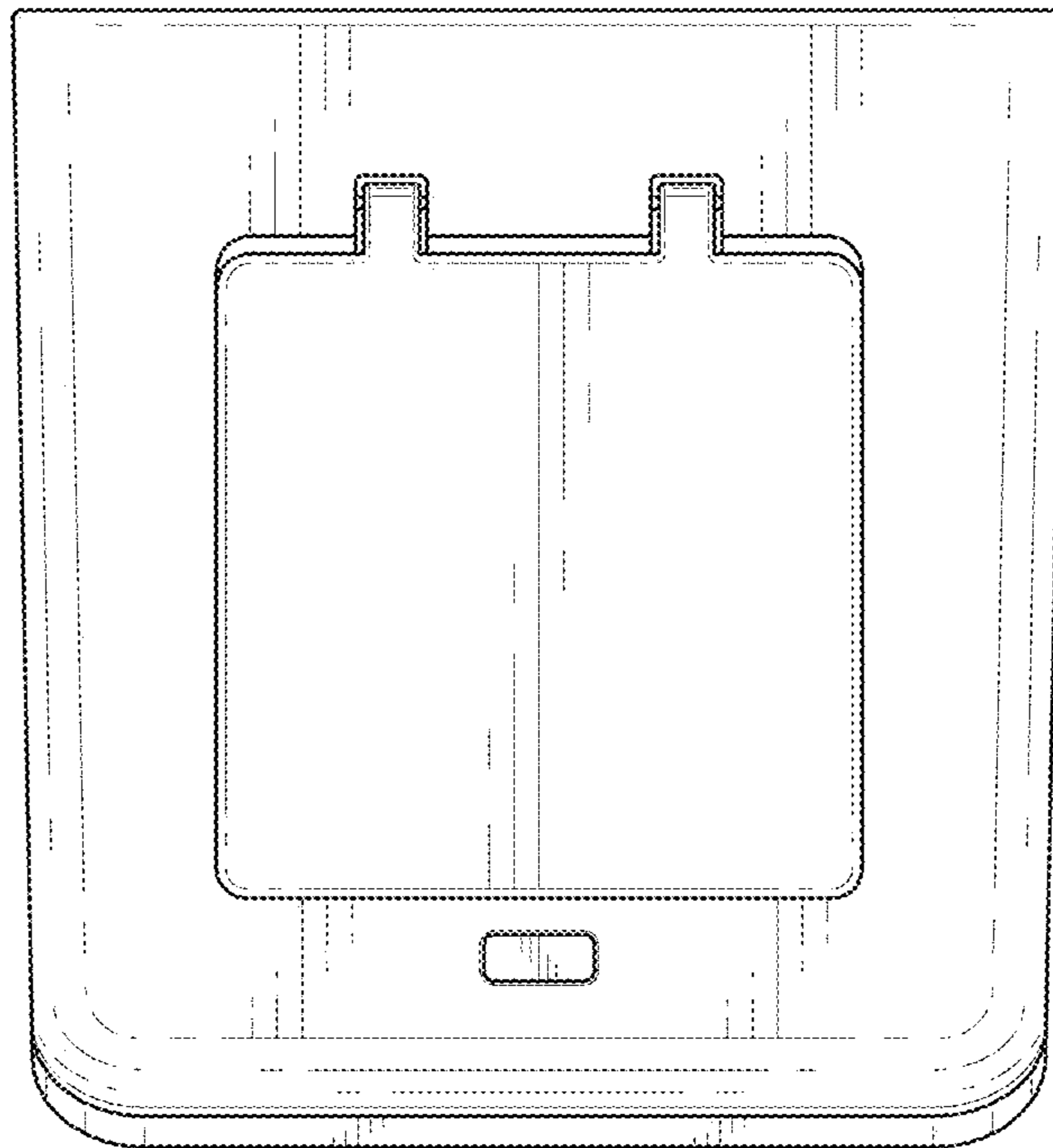


FIG. 5

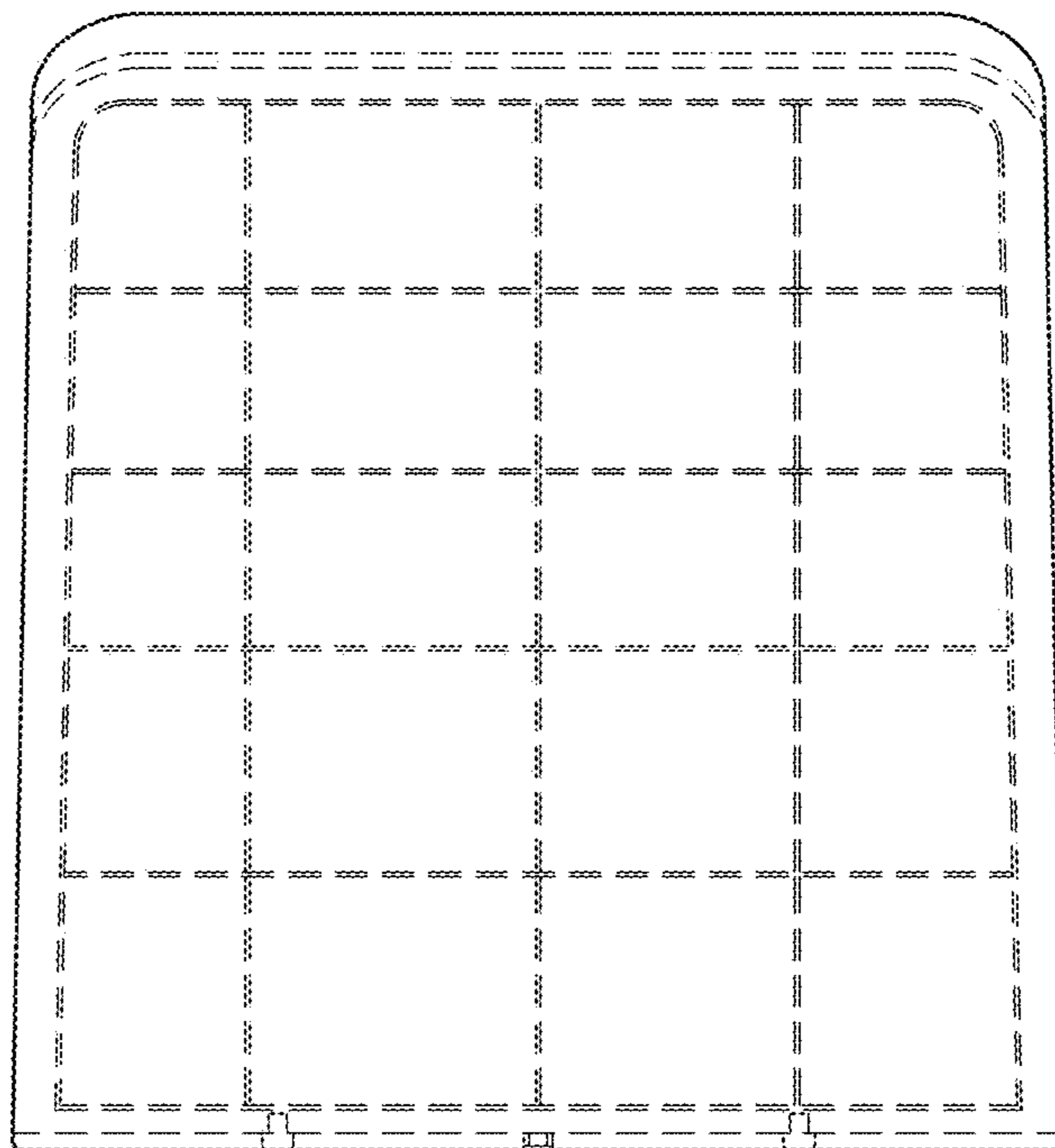


FIG. 6

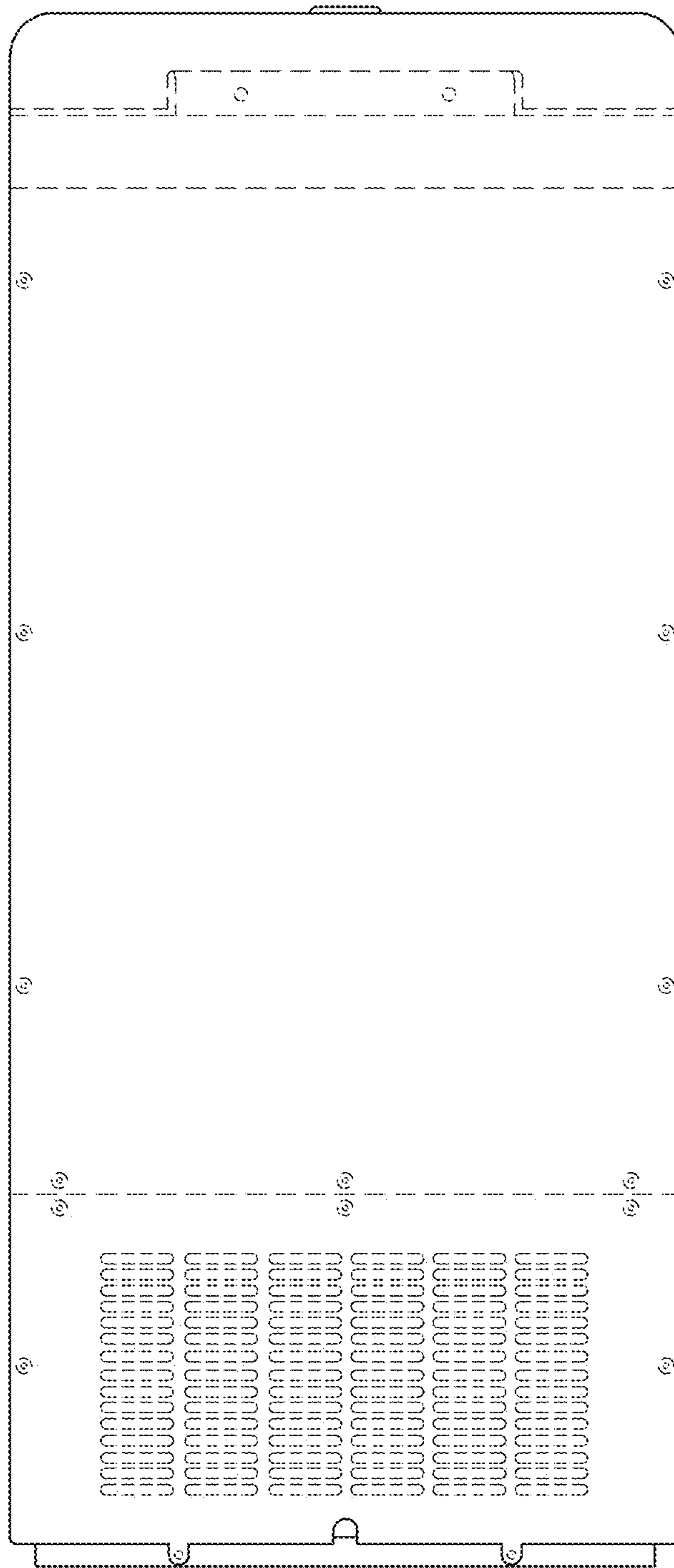


FIG. 7